

US00D694541S

(12) **United States Design Patent**
Breen

(10) **Patent No.:** **US D694,541 S**

(45) **Date of Patent:** **** Dec. 3, 2013**

(54) **CHAIR**

(71) Applicant: **Nightingale Corp.**, Mississauga (CA)

(72) Inventor: **William R. Breen**, Mississauga (CA)

(73) Assignee: **Nightingale Corp.**, Mississauga, Ontario (CA)

(**) Term: **14 Years**

(21) Appl. No.: **29/442,104**

(22) Filed: **Dec. 7, 2012**

(51) **LOC (9) Cl.** **06-01**

(52) **U.S. Cl.**
USPC **D6/366**

(58) **Field of Classification Search**
USPC D6/334-336, 364, 365, 366, 367, 369,
D6/374, 379, 380, 716, 716.1, 716.2,
D6/716.3, 716.4; 297/396, 397, 284.4,
297/411.28, 452.21, 452.26, 452.29, 452.3,
297/452.32, 452.35, 452.56, 452.64

See application file for complete search history.

(56) **References Cited**

U.S. PATENT DOCUMENTS

D528,810 S *	9/2006	Giugiaro	D6/366
D634,558 S *	3/2011	Deisig	D6/366
D638,635 S *	5/2011	Sander et al.	D6/366
D650,617 S *	12/2011	Chen	D6/716
D653,467 S *	2/2012	Ballendat	D6/366
D655,524 S *	3/2012	Kim	D6/366
D665,590 S *	8/2012	Wagner	D6/366
D665,591 S *	8/2012	Tanaka et al.	D6/366

* cited by examiner

Primary Examiner — Mimosa De

(57) **CLAIM**

I claim the ornamental design for a chair, as shown (as described).

DESCRIPTION

FIG. 1 is a perspective view of an embodiment showing my new design;
FIG. 2 is a front elevational view thereof;
FIG. 3 is a rear elevational view thereof;
FIG. 4 is a top view thereof;
FIG. 5 is a right side elevational view thereof; and,
FIG. 6 is a left side elevational view thereof.

1 Claim, 6 Drawing Sheets

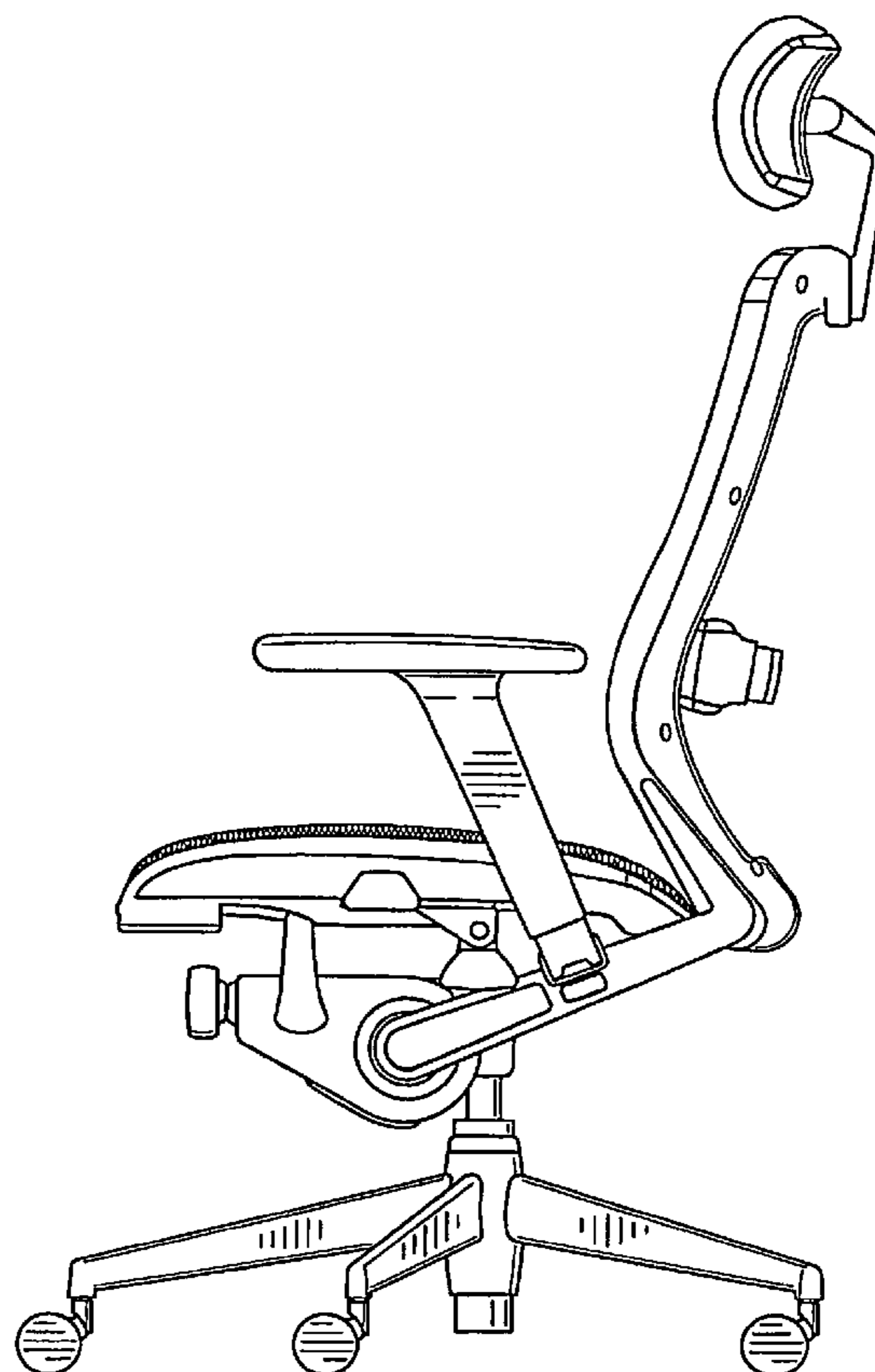
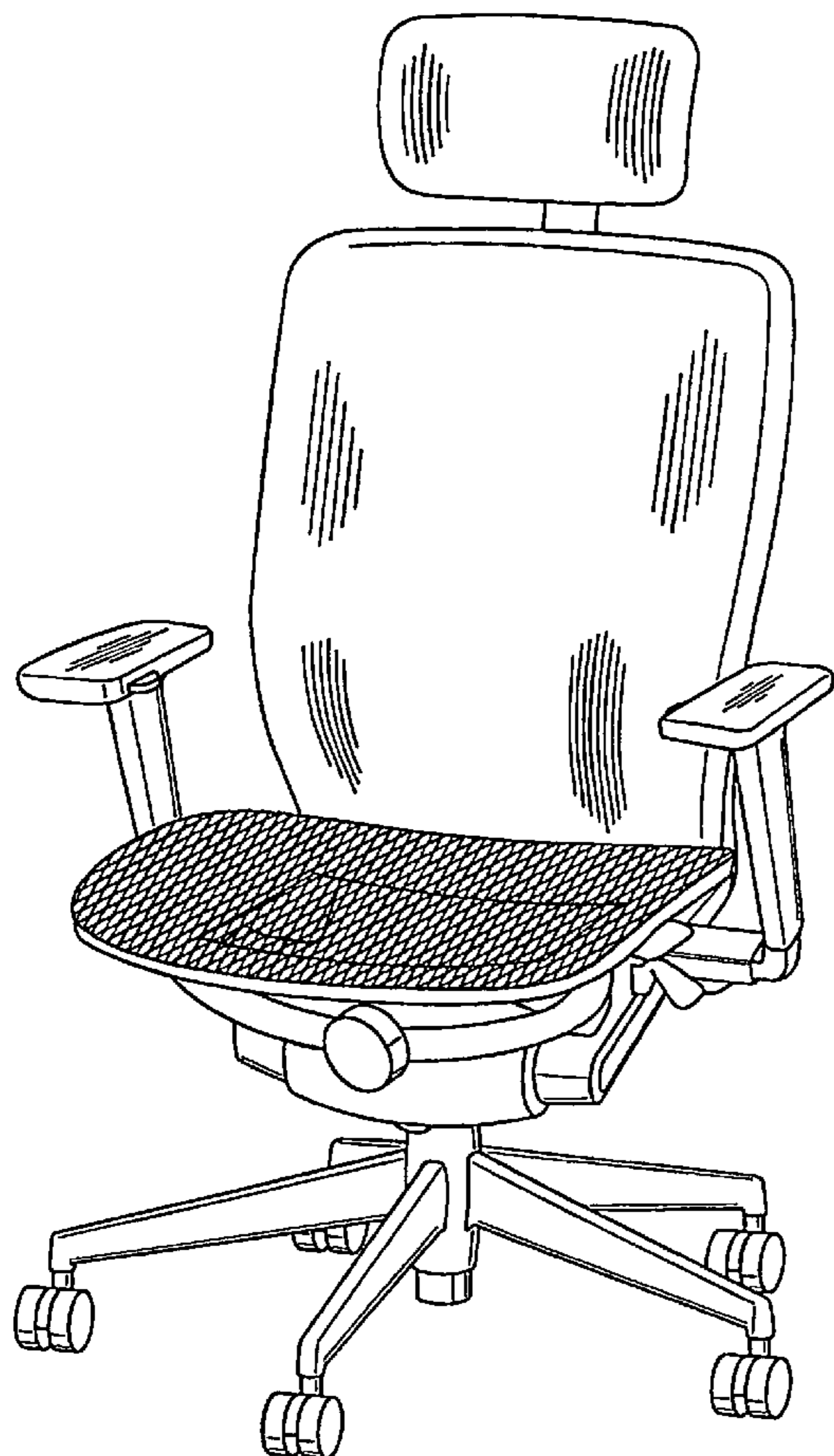


Fig. 1

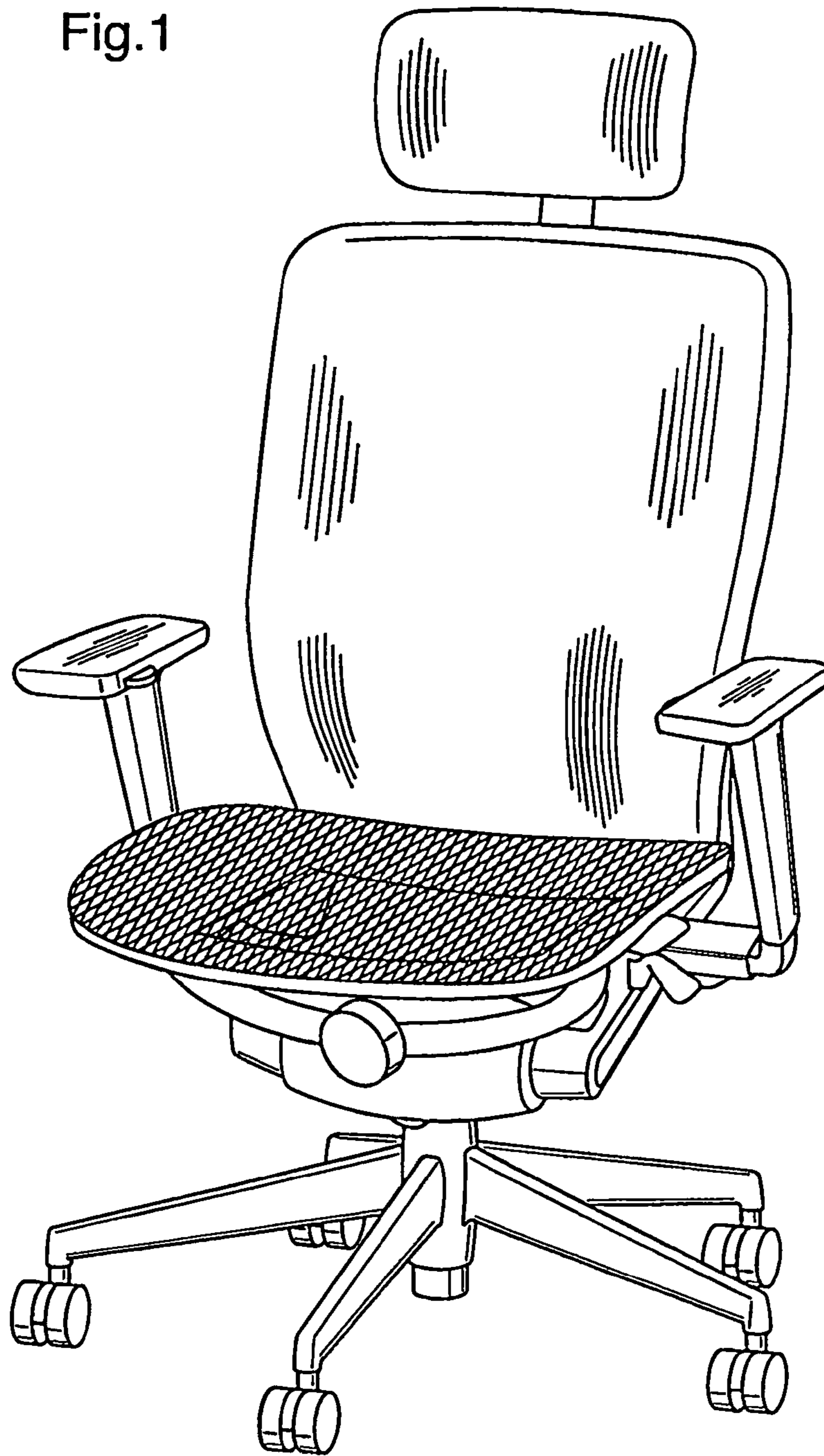


Fig.2

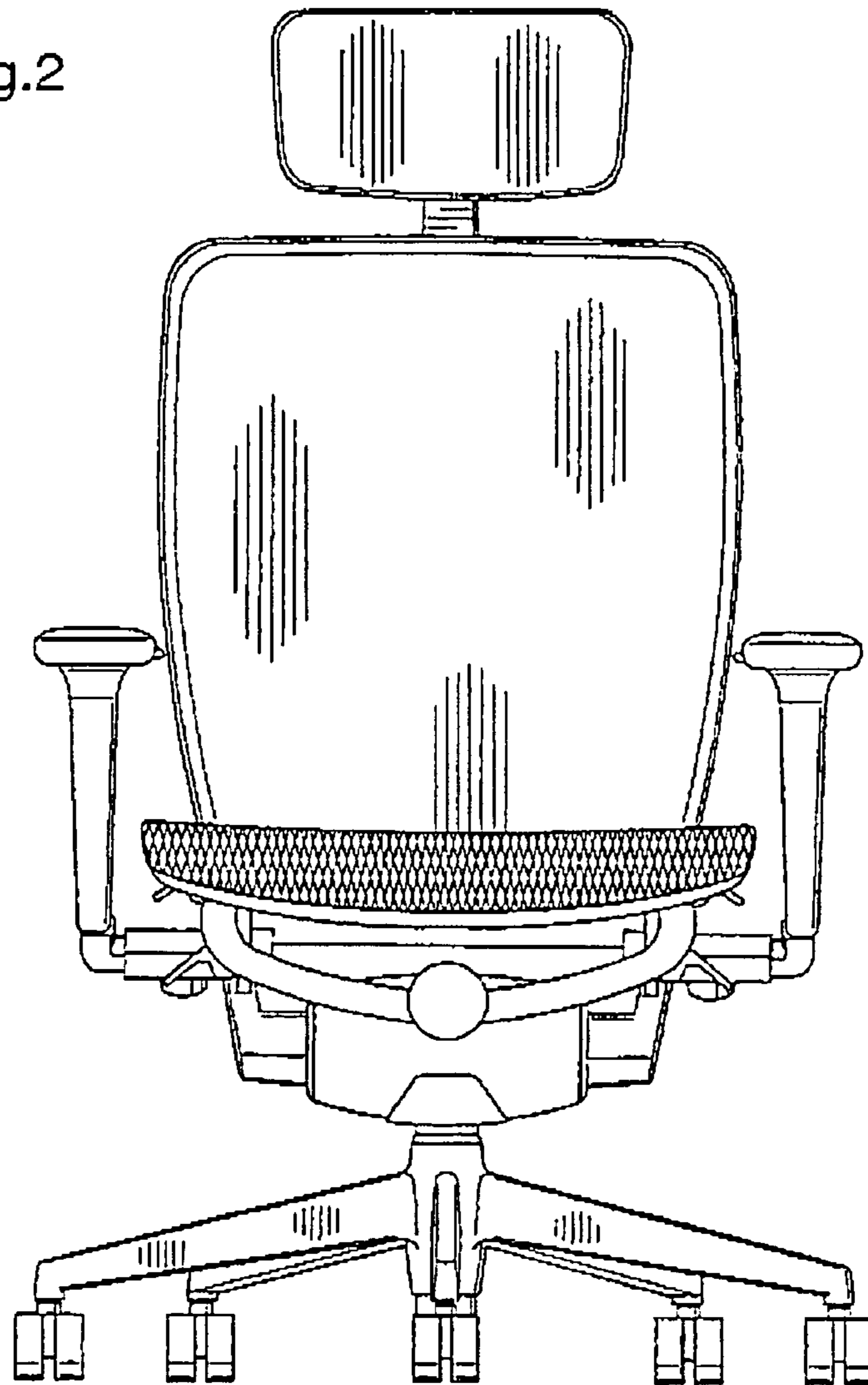


Fig.3

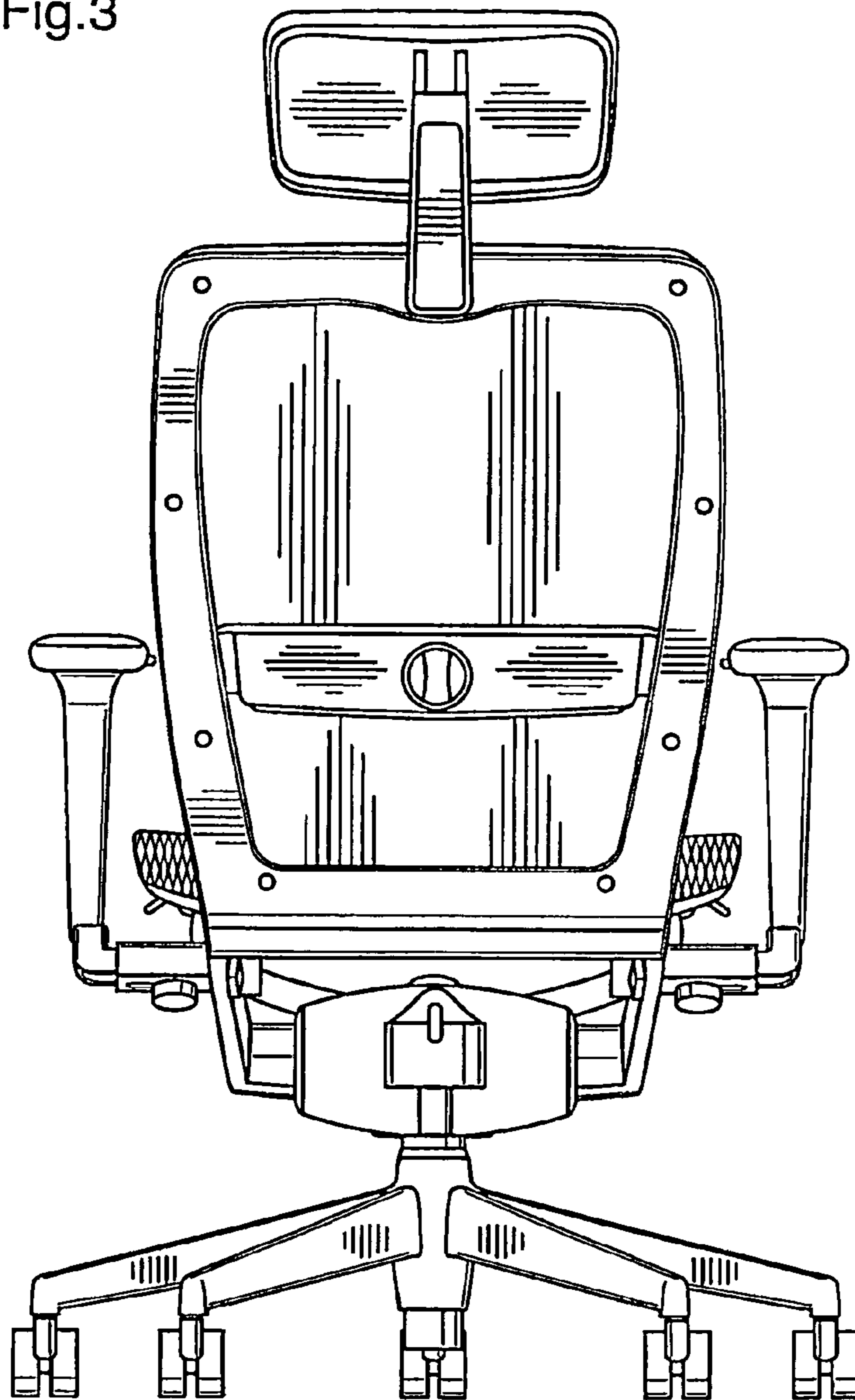


Fig.4

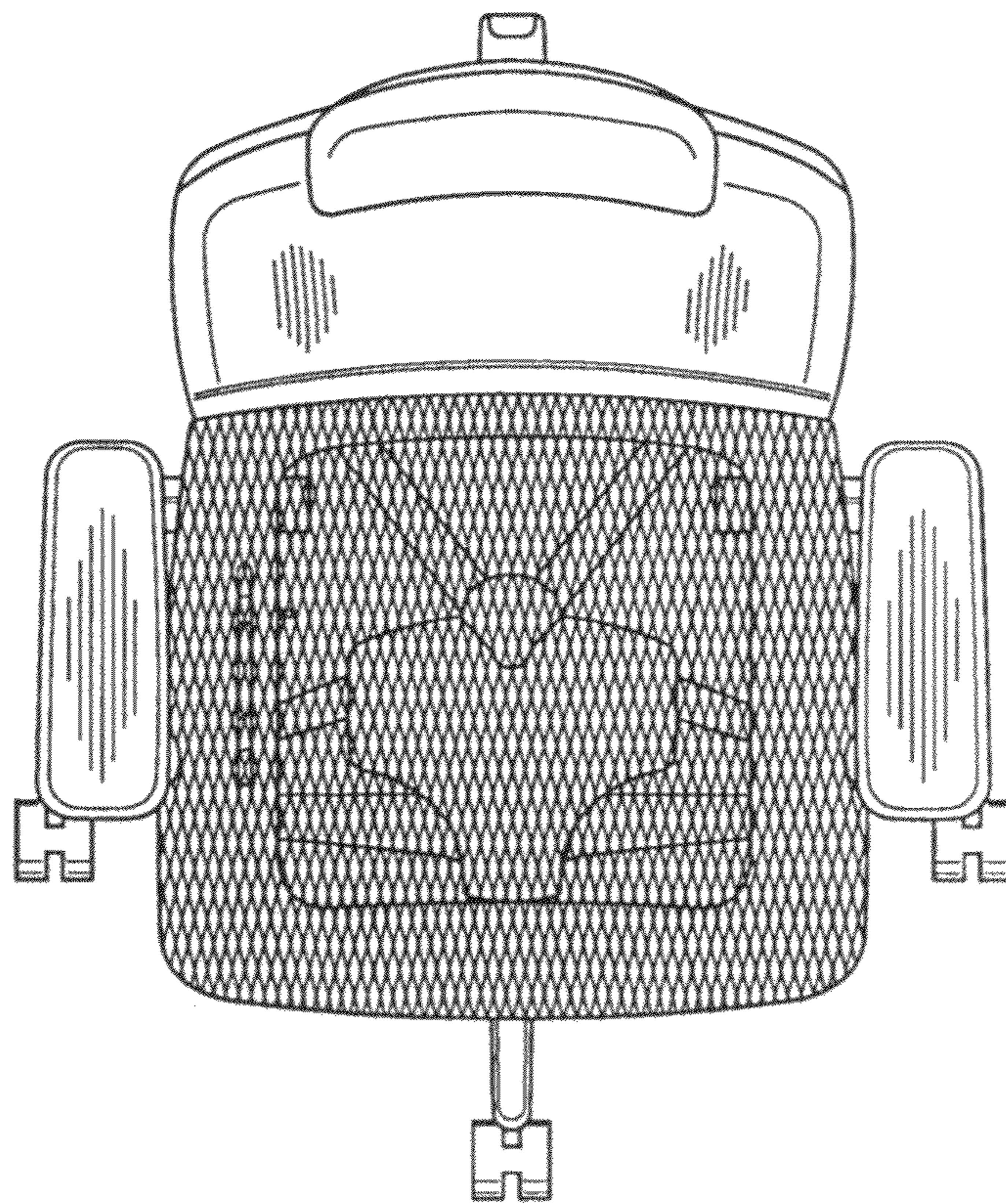


Fig.5

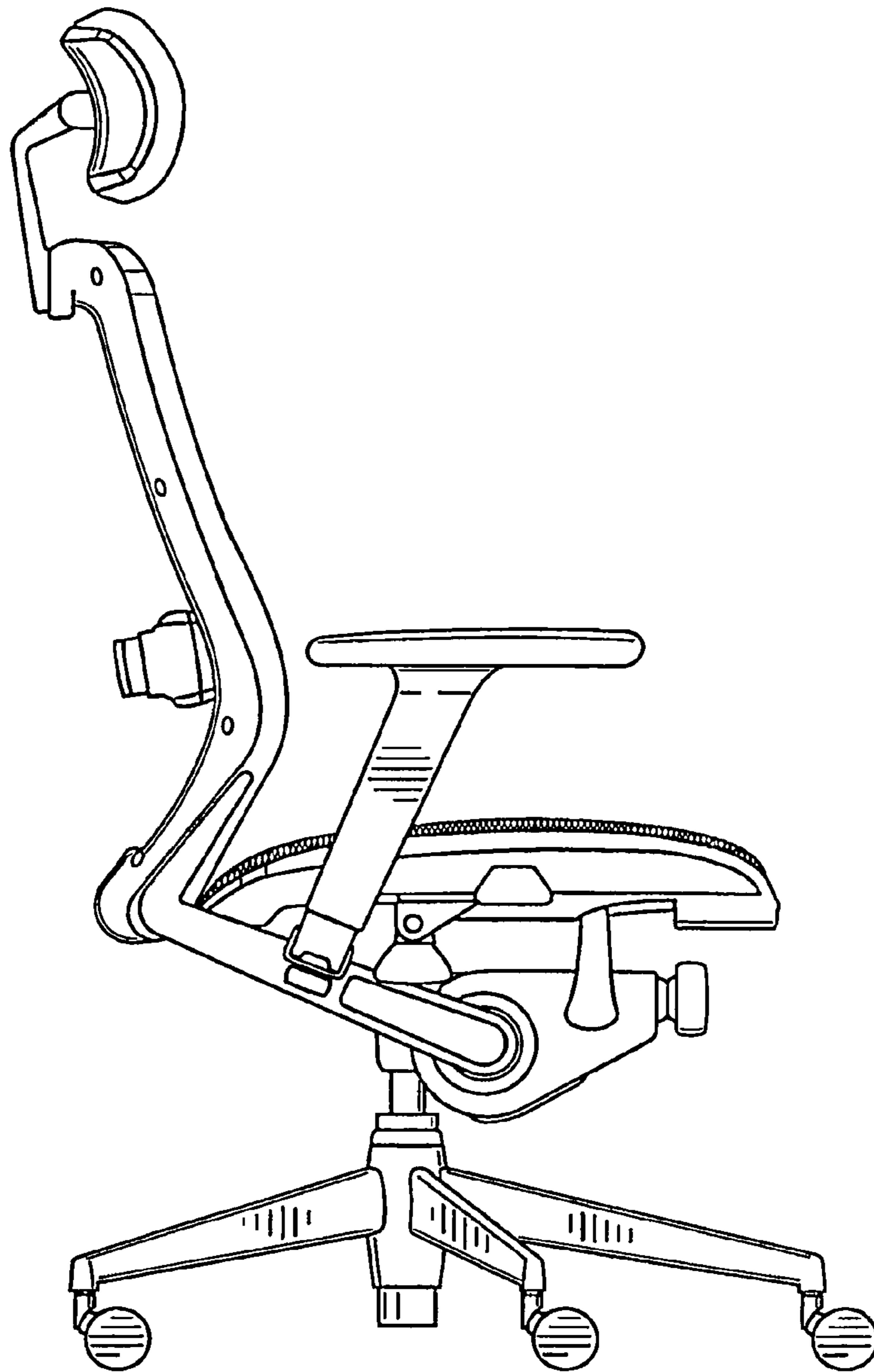


Fig.6

