



US00D694537S

(12) **United States Design Patent**
Smith et al.

(10) **Patent No.:** **US D694,537 S**
(45) **Date of Patent:** **** Dec. 3, 2013**

(54) **CHAIR**

(71) Applicants: **Bruce M. Smith**, East Grand Rapids, MI (US); **Glen Oliver Löw**, Hamburg (DE); **James N. Ludwig**, East Grand Rapids, MI (US); **Robert J. Battey**, Middleville, MI (US); **Gordon Jay Peterson**, Rockford, MI (US)

(72) Inventors: **Bruce M. Smith**, East Grand Rapids, MI (US); **Glen Oliver Löw**, Hamburg (DE); **James N. Ludwig**, East Grand Rapids, MI (US); **Robert J. Battey**, Middleville, MI (US); **Gordon Jay Peterson**, Rockford, MI (US)

(73) Assignee: **Steelcase Inc.**, Grand Rapids, MI (US)

(**) Term: **14 Years**

(21) Appl. No.: **29/432,798**

(22) Filed: **Sep. 20, 2012**

(51) **LOC (9) Cl.** **06-01**

(52) **U.S. Cl.**
USPC **D6/366**

(58) **Field of Classification Search**
USPC D6/334-336, 364, 365, 366, 367, 369, D6/374, 379, 380, 716, 716.1, 716.2, D6/716.3, 716.4; 297/284.4, 298, 411.27, 297/452.21, 452.29, 452.3, 452.32, 452.34, 297/452.48

See application file for complete search history.

(56) **References Cited**

U.S. PATENT DOCUMENTS

4,711,491 A	12/1987	Ginat
5,439,267 A	8/1995	Peterson et al.
5,599,067 A	2/1997	Schuelke et al.
5,725,276 A	3/1998	Ginat
5,772,282 A	6/1998	Stumpf et al.
5,871,258 A	2/1999	Battey et al.
5,934,758 A	8/1999	Ritch et al.
5,975,634 A	11/1999	Knoblock et al.
6,035,901 A	3/2000	Stumpf et al.
6,039,397 A	3/2000	Ginat

D423,261 S	4/2000	Ritch et al.
6,053,578 A	4/2000	Van Hekken et al.
6,059,366 A	5/2000	Hu
6,059,368 A	5/2000	Stumpf et al.
6,076,892 A	6/2000	Van Hekken et al.
6,079,785 A	6/2000	Peterson et al.
6,086,156 A	7/2000	Breen et al.
6,125,521 A	10/2000	Stumpf et al.
6,178,595 B1	1/2001	Marinoni
6,220,661 B1	4/2001	Peterson
D446,033 S	8/2001	Koepke et al.
D451,723 S	12/2001	Grove
6,364,415 B1	4/2002	Mori et al.
6,382,719 B1	5/2002	Heidmann et al.
6,386,634 B1	5/2002	Stumpf et al.
6,394,546 B1	5/2002	Knoblock et al.

(Continued)

FOREIGN PATENT DOCUMENTS

EP 2233043 10/2011

OTHER PUBLICATIONS

Haworth X99 Chair Brochure.
Werndl #1 Brochure.

(Continued)

Primary Examiner — Mimoso De
(74) *Attorney, Agent, or Firm* — Price Heneveld LLP

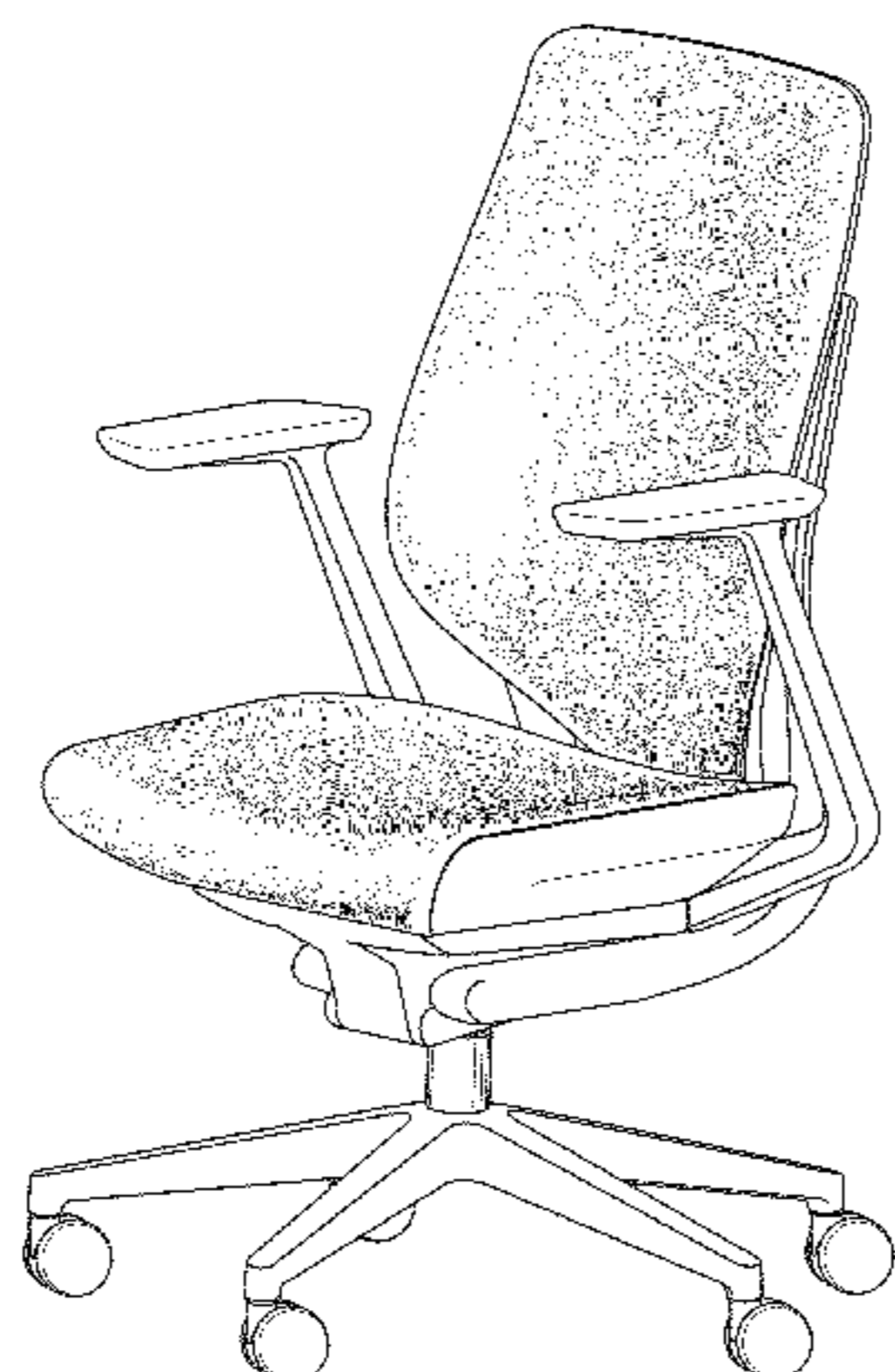
(57) **CLAIM**

We claim the ornamental design for the chair, as shown and described.

DESCRIPTION

FIG. 1 is a perspective view of a chair embodying the present invention;
FIG. 2 is a front view of the chair;
FIG. 3 is a first side view of the chair;
FIG. 4 is a second side view of the chair;
FIG. 5 is a rear view of the chair;
FIG. 6 is a top view of the chair; and,
FIG. 7 is a bottom view of the chair.

1 Claim, 7 Drawing Sheets



(56)

References Cited

U.S. PATENT DOCUMENTS

6,394,548 B1 5/2002 Battey et al.
 6,394,549 B1 5/2002 DeKraker et al.
 6,419,318 B1 7/2002 Albright et al.
 6,460,932 B1 10/2002 Kopish et al.
 6,471,294 B1 10/2002 Dammermann et al.
 6,499,801 B1 12/2002 Peterson et al.
 6,502,904 B1 1/2003 Hansen
 6,508,509 B2 1/2003 Peterson
 6,572,190 B2 6/2003 Koepke et al.
 6,588,842 B2 7/2003 Stumpf et al.
 6,609,755 B2 8/2003 Koepke et al.
 6,616,228 B2 9/2003 Heidmann
 6,619,746 B2 9/2003 Roslund, Jr. et al.
 6,644,749 B2 11/2003 VanDeRiet et al.
 6,669,292 B2 12/2003 Koepke et al.
 6,688,690 B2 2/2004 Watson et al.
 D487,359 S 3/2004 Giugiaro
 6,702,390 B2 3/2004 Stumpf et al.
 6,709,060 B1 3/2004 Su
 6,722,741 B2 4/2004 Stumpf et al.
 6,726,278 B1 4/2004 Albright et al.
 6,726,286 B2 4/2004 Sayers et al.
 6,729,691 B2 5/2004 Koepke et al.
 6,733,080 B2 5/2004 Sayers et al.
 D490,994 S 6/2004 Schmitz et al.
 6,758,523 B2 7/2004 VanDeRiet et al.
 D493,626 S 8/2004 James
 D493,627 S 8/2004 Ma
 D496,812 S 10/2004 Chu
 6,837,546 B2 1/2005 VanDeRiet et al.
 6,857,704 B2 2/2005 Stenzel et al.
 6,874,852 B2 4/2005 Footitt
 6,880,215 B2 4/2005 Peterson
 D507,423 S 7/2005 Beaulieu et al.
 6,913,315 B2 7/2005 Ball et al.
 6,942,300 B2 9/2005 Numa et al.
 6,948,775 B2 9/2005 Tsai
 6,955,402 B2 10/2005 VanDeRiet et al.
 6,966,604 B2 11/2005 Stumpf et al.
 6,983,997 B2 1/2006 Wilkerson et al.
 D514,832 S 2/2006 Tsai
 D517,820 S * 3/2006 Citterio D6/366
 7,014,269 B2 3/2006 Coffield et al.
 7,025,425 B2 4/2006 Harley
 D521,755 S 5/2006 Kinoshita et al.
 7,066,537 B2 6/2006 Coffield et al.
 7,066,546 B2 6/2006 Trego et al.
 7,131,700 B2 11/2006 Knoblock et al.
 D535,505 S 1/2007 Cai
 7,159,947 B1 1/2007 Lee
 7,201,449 B2 4/2007 Tsai
 7,213,880 B2 5/2007 Schmitz et al.
 7,213,886 B2 5/2007 Schmitz et al.
 7,216,936 B2 5/2007 Peterson
 D544,722 S 6/2007 Scheper et al.
 7,249,802 B2 7/2007 Schmitz et al.
 7,270,378 B2 9/2007 Wilkerson et al.
 7,273,253 B2 9/2007 Deimen et al.
 7,281,764 B2 10/2007 Thole
 D557,027 S * 12/2007 Hara D6/366
 D557,950 S 12/2007 Lu
 D567,523 S * 4/2008 Hara D6/366
 7,360,839 B1 4/2008 Chen
 7,367,622 B2 5/2008 Roslund et al.

D576,809 S 9/2008 Christianson et al.
 7,419,222 B2 9/2008 Schmitz et al.
 7,425,037 B2 9/2008 Schmitz et al.
 7,425,039 B2 9/2008 Lin
 7,427,105 B2 9/2008 Knoblock et al.
 7,434,879 B2 10/2008 Ueda et al.
 7,500,718 B2 3/2009 Fookes
 7,527,335 B2 5/2009 Eberlein et al.
 7,533,939 B2 5/2009 Fookes et al.
 D593,345 S 6/2009 Schweikarth et al.
 7,549,700 B2 6/2009 Stumpf et al.
 7,549,704 B1 6/2009 Chou et al.
 D597,329 S * 8/2009 Tanaka et al. D6/366
 7,604,298 B2 10/2009 Peterson et al.
 7,625,045 B2 12/2009 Hatcher et al.
 D613,087 S * 4/2010 Fujita D6/366
 D613,088 S * 4/2010 Fujita D6/366
 7,744,159 B2 6/2010 Yang
 7,798,573 B2 9/2010 Pennington et al.
 7,806,481 B2 10/2010 Eberlein
 7,815,259 B2 10/2010 Fookes et al.
 7,828,389 B2 11/2010 Oda
 7,832,803 B2 11/2010 Cassaday
 7,837,269 B2 11/2010 Bock
 7,837,272 B2 11/2010 Masunaga et al.
 7,841,665 B2 11/2010 Geister et al.
 7,841,666 B2 11/2010 Schmitz et al.
 7,857,388 B2 12/2010 Bedford et al.
 7,887,131 B2 2/2011 Chadwick et al.
 7,887,135 B2 2/2011 Oda
 7,922,248 B2 4/2011 Aldrich et al.
 8,016,360 B2 9/2011 Machael et al.
 8,029,066 B2 10/2011 Su
 8,061,778 B2 11/2011 Machael et al.
 D654,709 S 2/2012 Fujita
 D654,710 S * 2/2012 Fujita D6/366
 D654,711 S * 2/2012 Fujita D6/366
 D655,523 S * 3/2012 Neil D6/366
 D656,329 S * 3/2012 Nakamura et al. D6/366
 D657,166 S 4/2012 Behar et al.
 D661,117 S * 6/2012 Tanaka et al. D6/366
 D662,330 S * 6/2012 Tanaka et al. D6/366
 D663,129 S * 7/2012 Greutmann D6/366
 D670,927 S * 11/2012 Hurford D6/366
 D679,107 S * 4/2013 Darrow et al. D6/366
 D683,150 S * 5/2013 Smith et al. D6/366
 D683,151 S * 5/2013 Smith et al. D6/366
 2002/0003368 A1 1/2002 VanDeRiet et al.
 2003/0030317 A1 2/2003 Chen
 2003/0047980 A1 3/2003 Vassallo
 2004/0000805 A1 1/2004 VanDeRiet et al.
 2004/0155503 A1 8/2004 Stumpf et al.
 2005/0052061 A1 3/2005 Deimen et al.
 2005/0062323 A1 3/2005 Dicks
 2008/0122284 A1 5/2008 Yang
 2010/0007190 A1 1/2010 Johnson et al.
 2010/0237679 A1 9/2010 Tsukiji et al.
 2010/0244521 A1 9/2010 Ueda
 2010/0276978 A1 11/2010 Furuta et al.
 2011/0012395 A1 1/2011 Roslund et al.
 2011/0198907 A1 8/2011 Masunaga et al.
 2011/0248543 A1 10/2011 Hitchcock et al.

OTHER PUBLICATIONS

Steelcase Please Chair Brochure.

* cited by examiner

FIG. 1



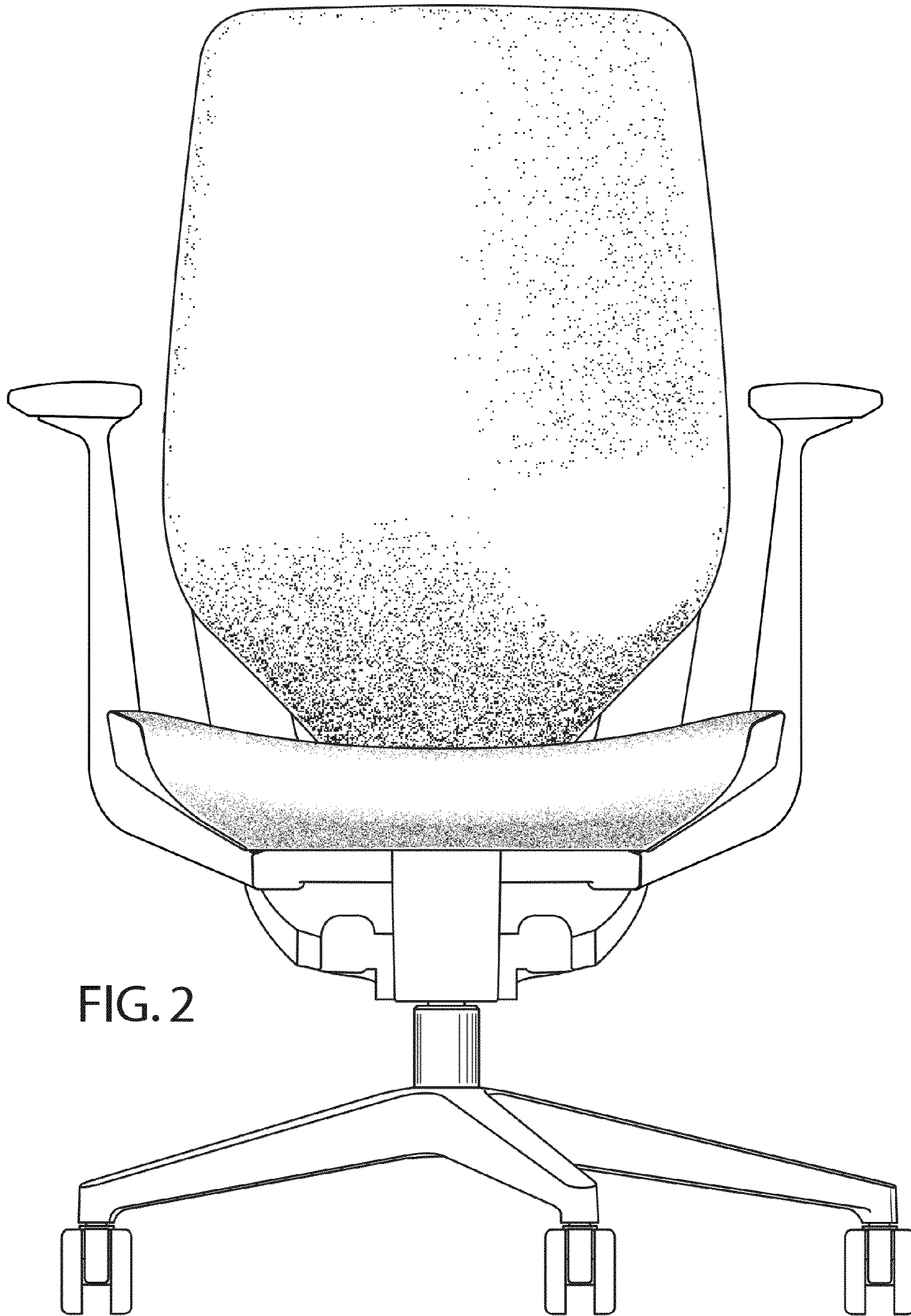


FIG. 2

FIG. 3

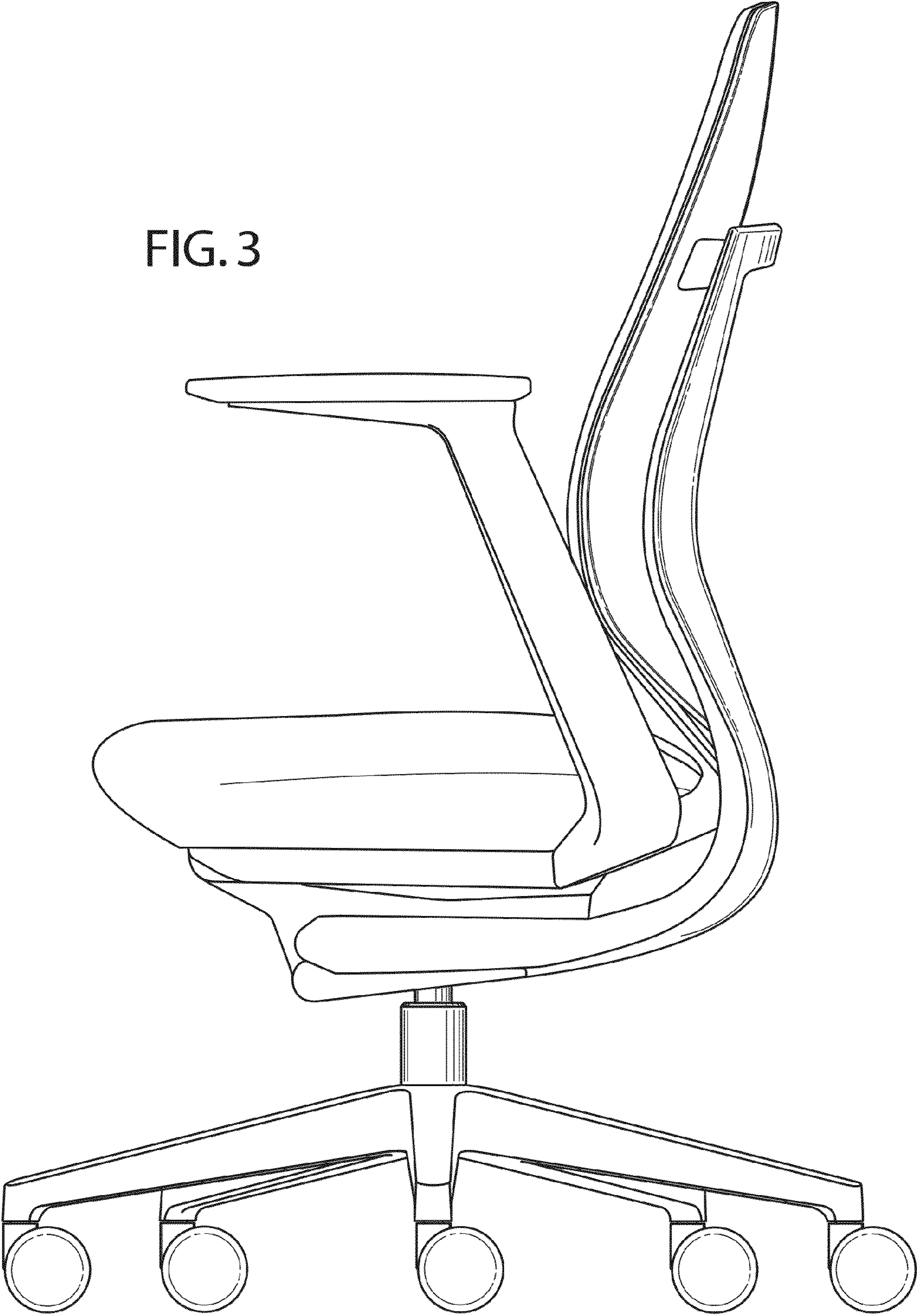


FIG. 4



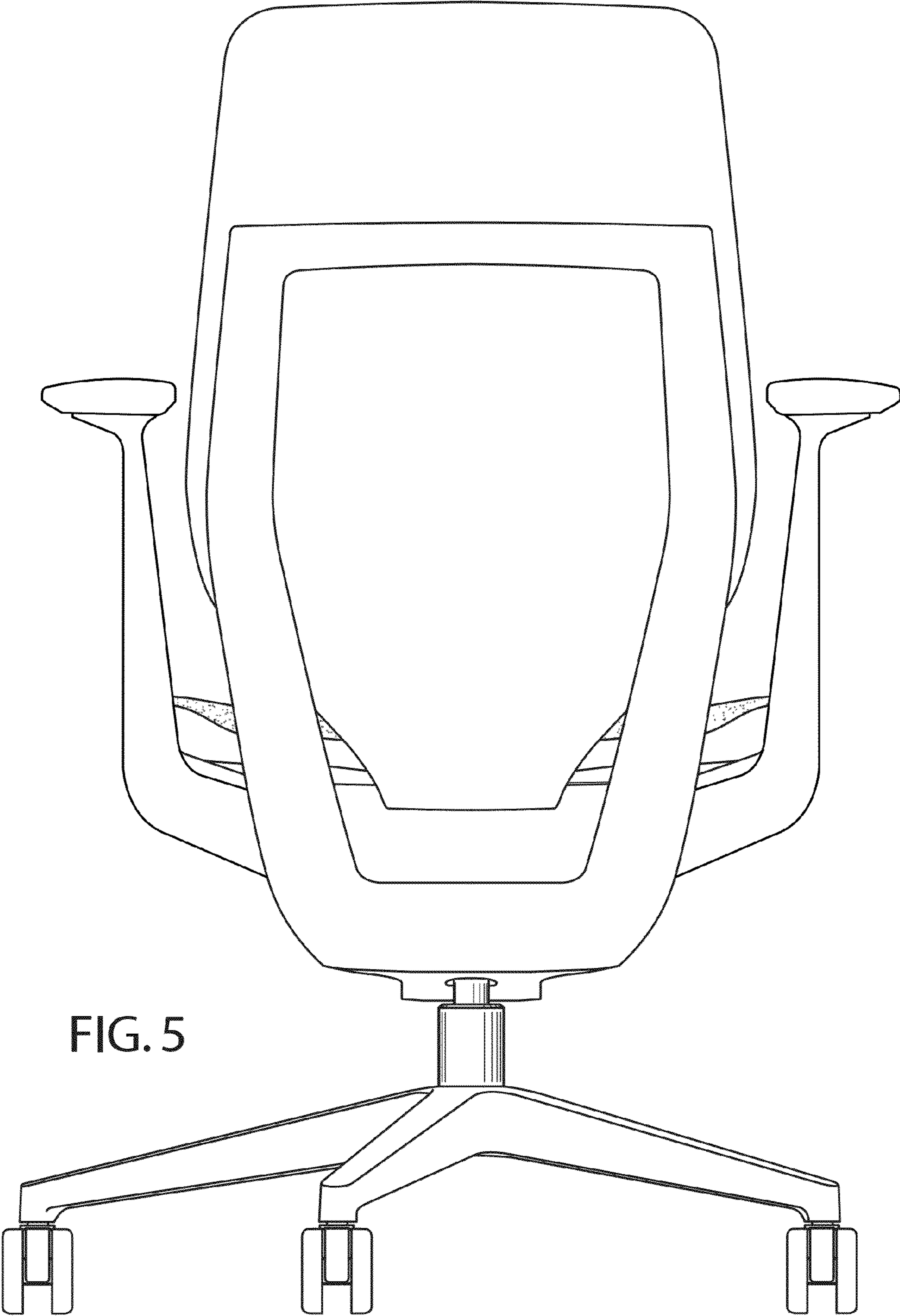


FIG. 5

FIG. 6

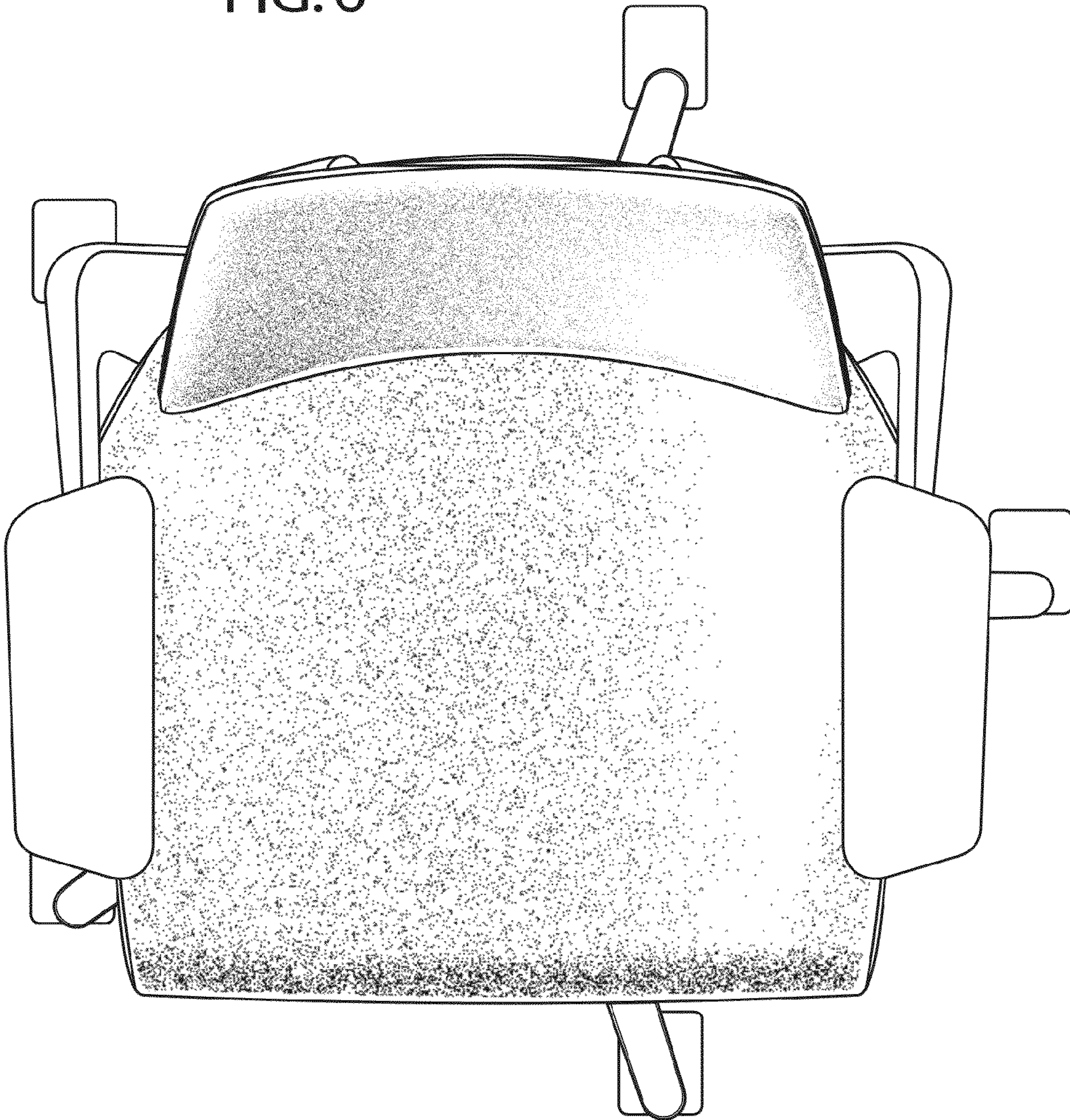


FIG. 7

