



US00D694532S

(12) **United States Design Patent**
Maddadi

(10) **Patent No.:** **US D694,532 S**
(45) **Date of Patent:** **** *Dec. 3, 2013**

(54) **SEAT**

(71) Applicant: **Jangir Maddadi Design Bureau AB,**
Kalmar (SE)

(72) Inventor: **Jangir Maddadi,** Kalmar (SE)

(73) Assignee: **Jangir Maddadi Design Bureau AB**
(SE)

(*) Notice: This patent is subject to a terminal disclaimer.

(**) Term: **14 Years**

(21) Appl. No.: **29/445,374**

(22) Filed: **Feb. 11, 2013**

Related U.S. Application Data

(62) Division of application No. 29/391,262, filed on May 5, 2011, now Pat. No. Des. 683,144.

Foreign Application Priority Data

Nov. 5, 2010 (EM) 001777491-0001
Nov. 5, 2010 (EM) 001777491-0002
Nov. 5, 2010 (EM) 001777491-0003
Nov. 5, 2010 (EM) 001777491-0004

(51) **LOC (9) Cl.** **06-01**

(52) **U.S. Cl.**
USPC **D6/349**

(58) **Field of Classification Search**
USPC D6/334-336, 338, 340-342, 349-355,
D6/360, 363-365, 367-373, 656, 716.1,
D6/717, 717.29; 297/16.1, 135, 160-162,
297/175, 187, 195.1, 423.1, 423.11, 423.14,
297/423.16, 461, 462

See application file for complete search history.

(56) **References Cited**

U.S. PATENT DOCUMENTS

D255,959	S	*	7/1980	Mitchell	D6/335
D279,059	S	*	6/1985	Tekel	D6/482
D366,966	S	*	2/1996	Bonaddio et al.	D6/335
D418,987	S	*	1/2000	Panton	D6/335
D419,001	S	*	1/2000	Swensson et al.	D6/486
D419,002	S	*	1/2000	Swensson et al.	D6/486
D421,535	S	*	3/2000	Swensson et al.	D6/486
D439,447	S	*	3/2001	Diekman	D6/486
D456,153	S	*	4/2002	Rashid	D6/336
D473,079	S	*	4/2003	Barry	D6/486
D497,727	S	*	11/2004	Monsalve et al.	D6/355
D497,745	S	*	11/2004	Lenger	D6/486
D499,151	S	*	11/2004	Arabian	D21/480
D501,332	S	*	2/2005	Bauchet	D6/349
D509,289	S	*	9/2005	Palazzolo	D23/309
D513,677	S	*	1/2006	Gehry	D6/482
7,033,307	B2	*	4/2006	Van Straaten	482/142
D550,974	S	*	9/2007	Thornbury	D6/361
D581,177	S	*	11/2008	Auberger et al.	D6/349
D605,431	S	*	12/2009	Gharabegian	D6/480
D610,359	S	*	2/2010	Young-il et al.	D6/355
D625,678	S	*	10/2010	Heinz	D12/217
D643,638	S	*	8/2011	Weichselbaumer	D6/361
D644,034	S	*	8/2011	Weichselbaumer	D6/361
8,167,777	B2	*	5/2012	Nichols	482/23

* cited by examiner

Primary Examiner — Susan Bennett Hattan

Assistant Examiner — Vy Koenig

(74) *Attorney, Agent, or Firm* — Fox Rothschild LLP

(57) **CLAIM**

The ornamental design for a seat, as shown and described.

DESCRIPTION

FIG. 1 is a front perspective view of a seat in accordance with my new design;
FIG. 2 is a top plan view thereof;
FIG. 3 is a bottom plan view thereof;
FIG. 4 is a front elevational view thereof;
FIG. 5 is a rear elevational view thereof;
FIG. 6 is a left side elevational view thereof; and,
FIG. 7 is a right side elevational view thereof.

1 Claim, 7 Drawing Sheets

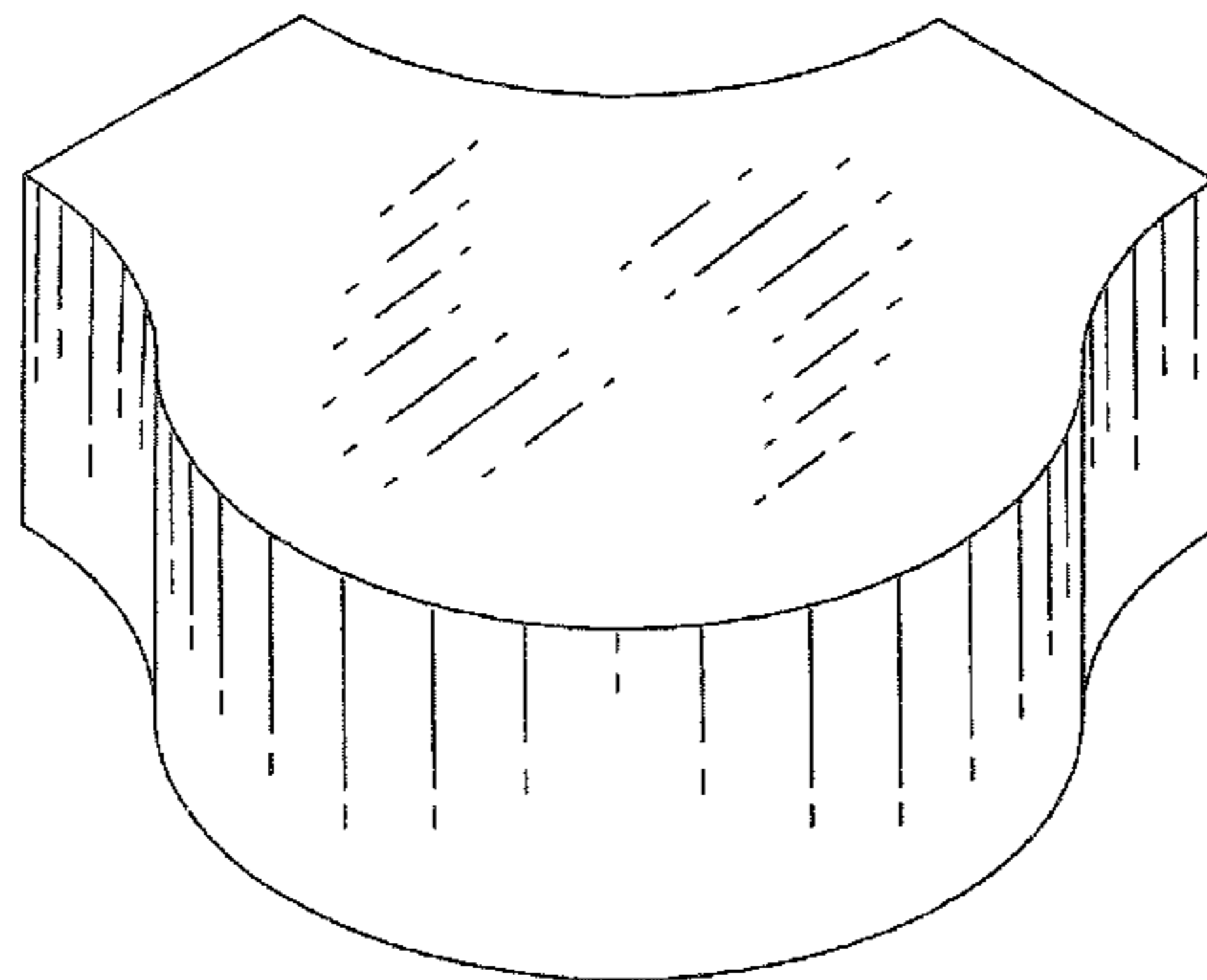


Fig. 1

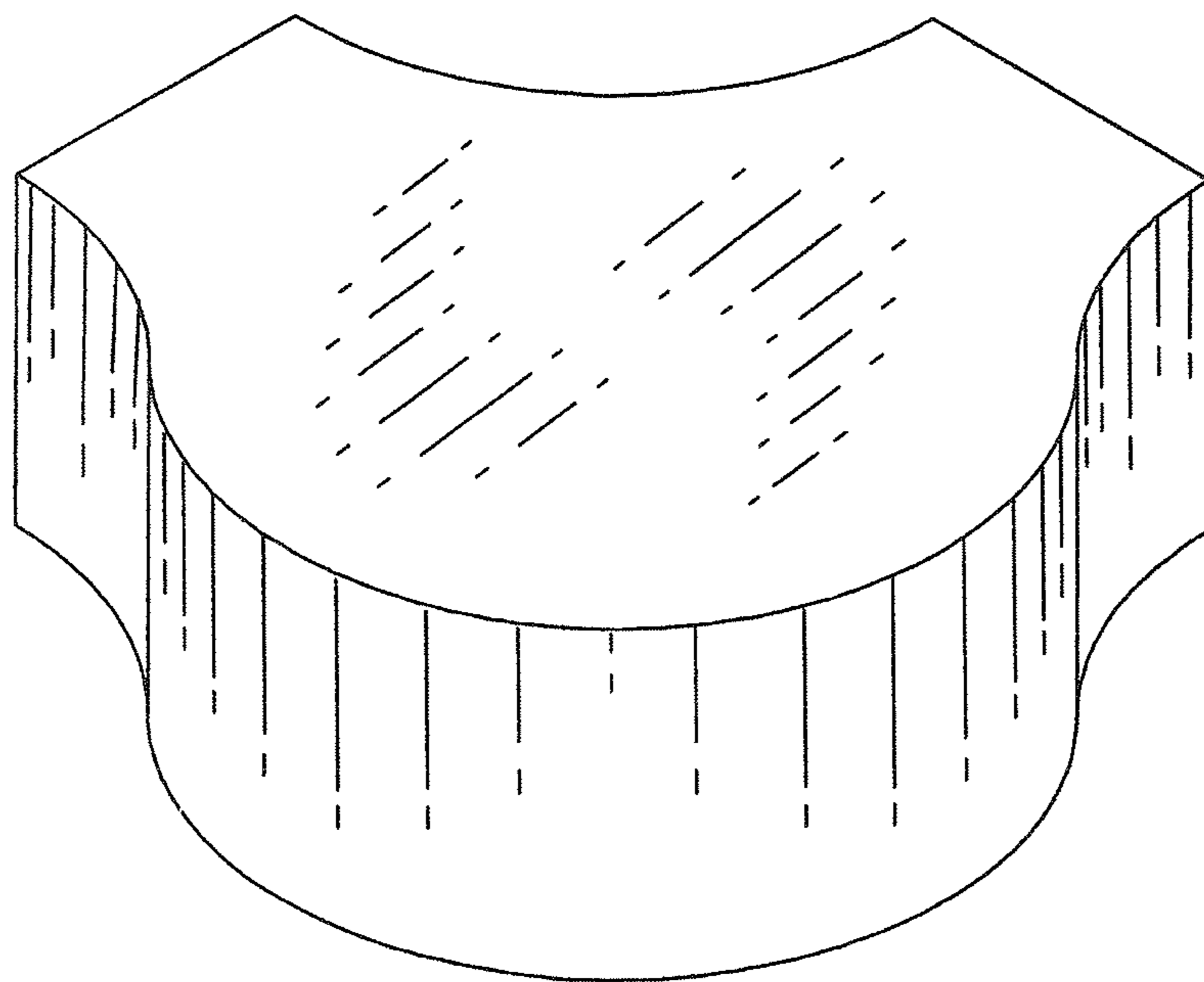


Fig. 2

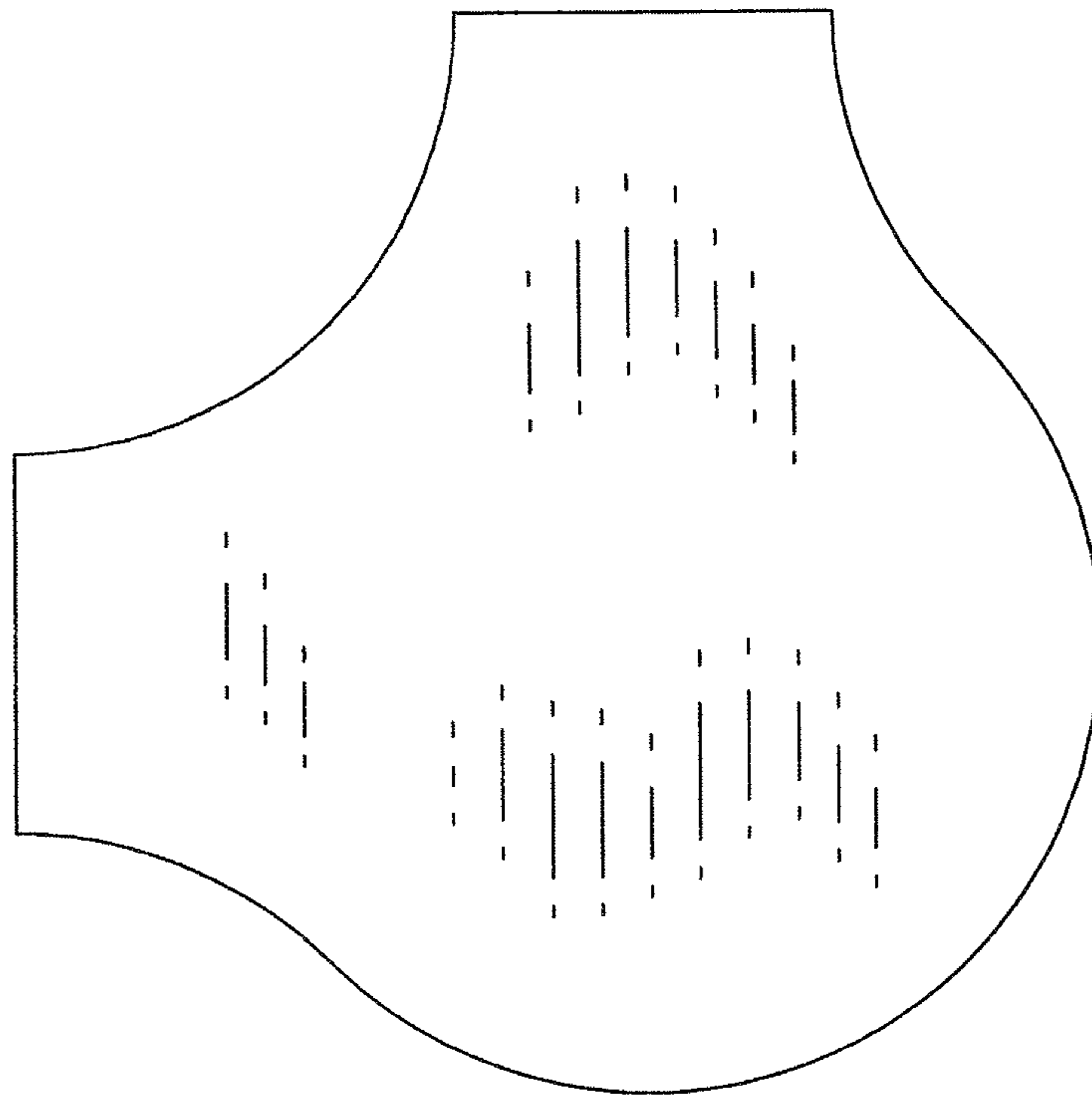


Fig. 3

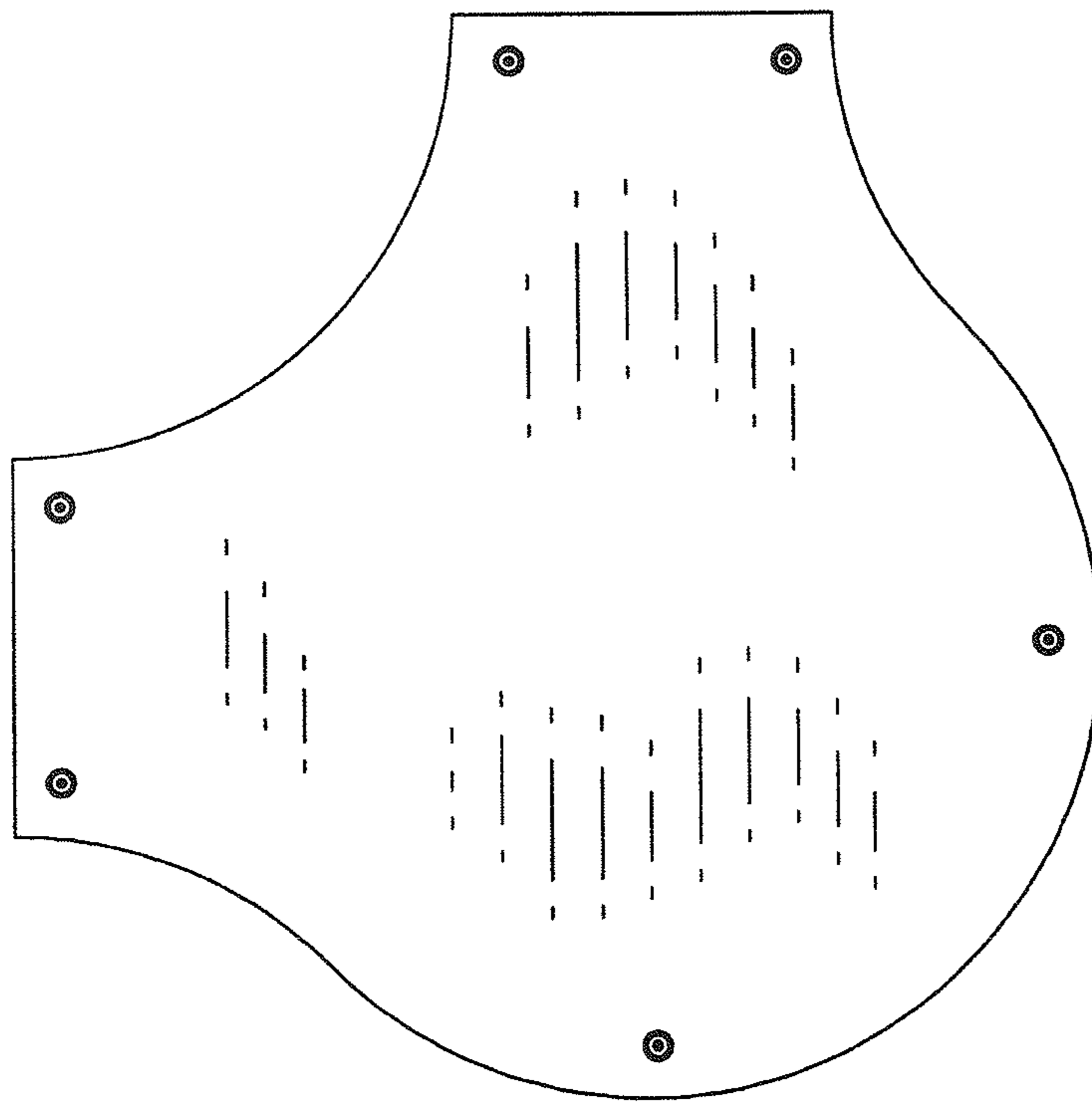


Fig. 4

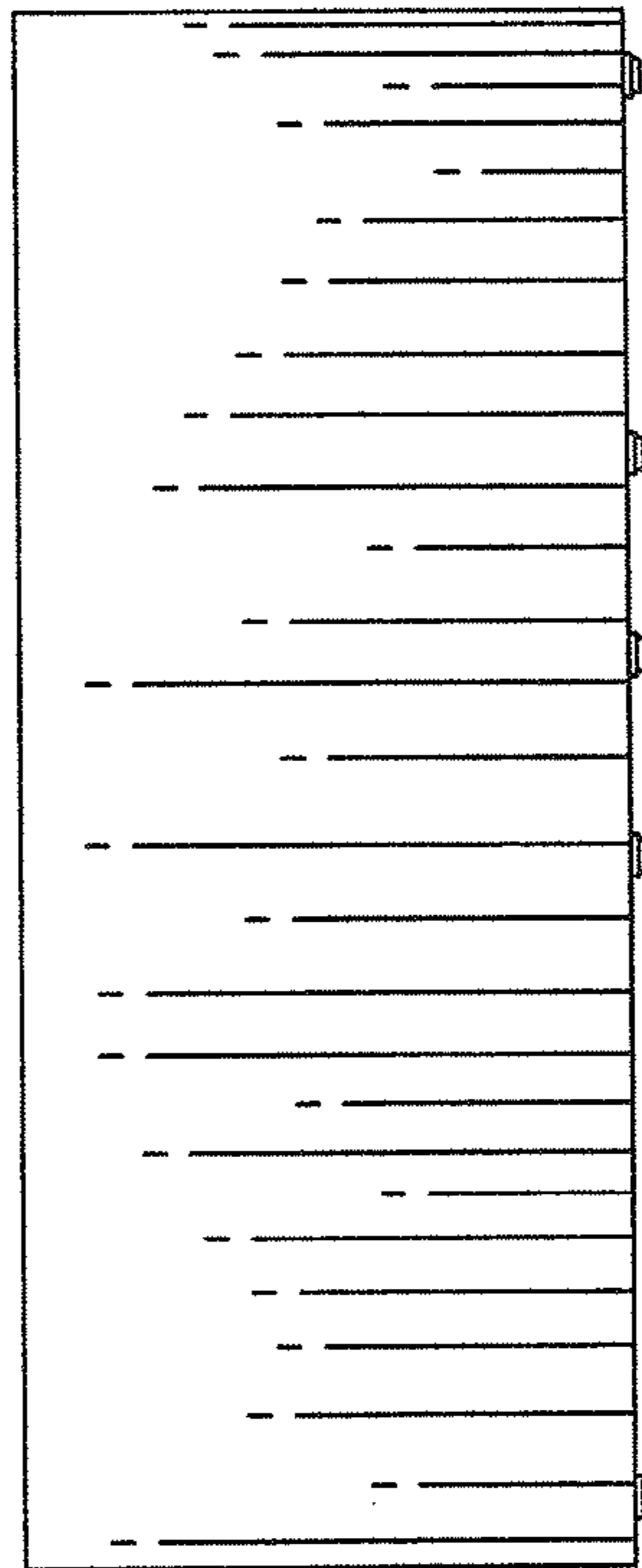


Fig. 5

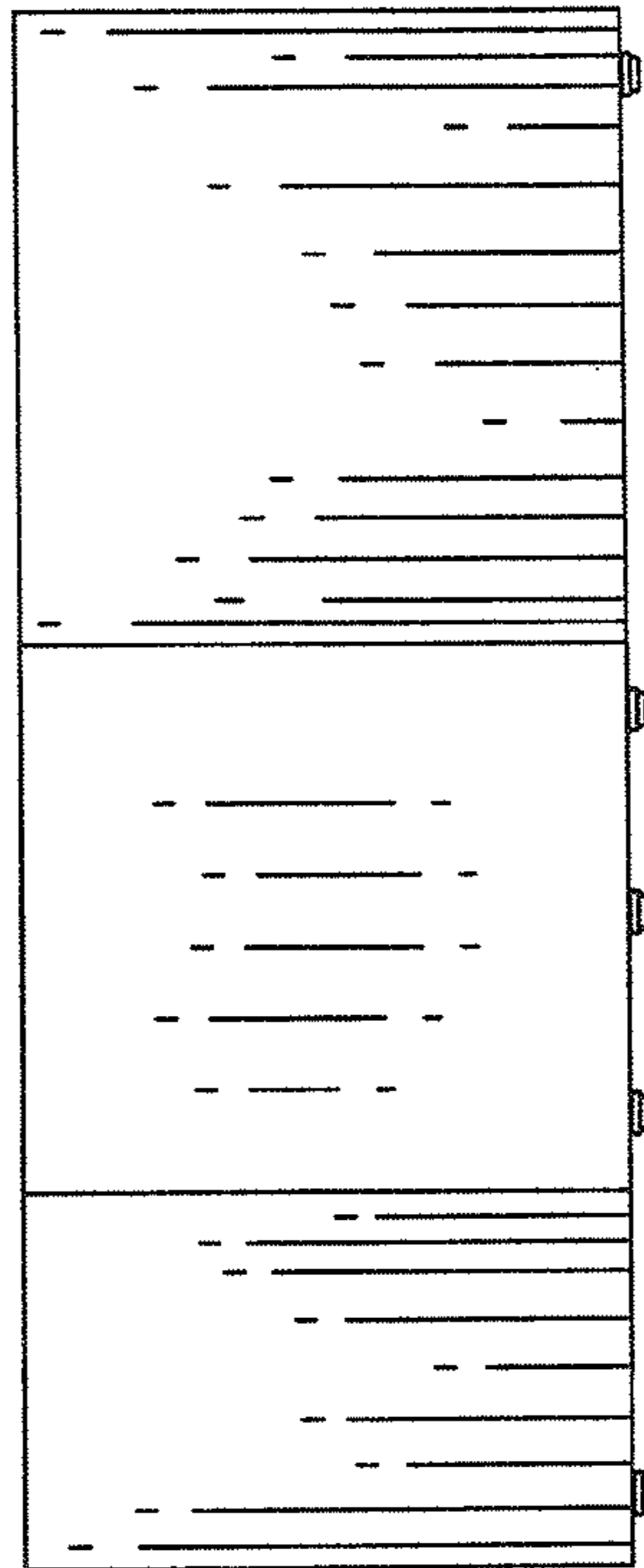


Fig. 6

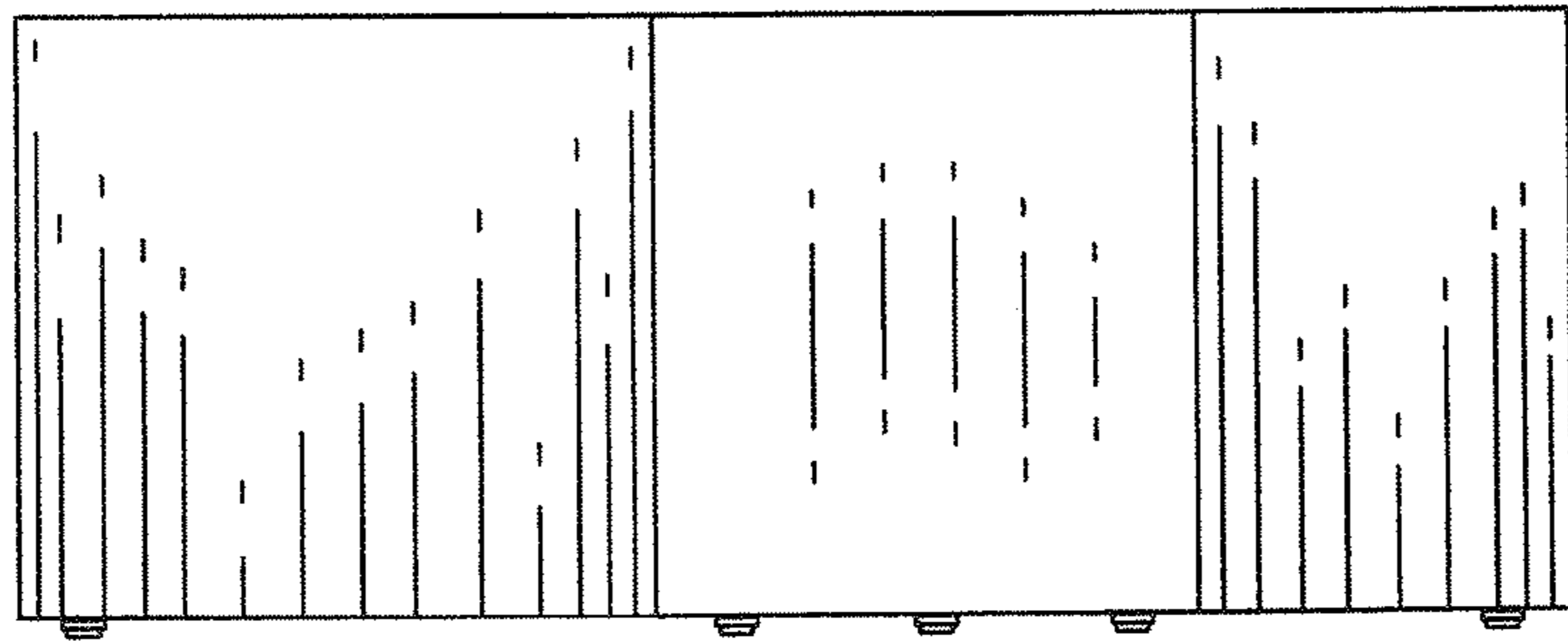


Fig. 7

