



US00D694524S

(12) **United States Design Patent**
Erskine-Smith

(10) **Patent No.:** **US D694,524 S**

(45) **Date of Patent:** **** *Dec. 3, 2013**

(54) **TOOTHBRUSH**

(71) Applicant: **Erskine Products Pty Ltd**, North Curl
Curl (AU)

(72) Inventor: **Craig Mathew Erskine-Smith**, North
Curl Curl (AU)

(73) Assignee: **Erskine Products Pty Ltd**, North Curl
Curl (AU)

(*) Notice: This patent is subject to a terminal dis-
claimer.

(**) Term: **14 Years**

(21) Appl. No.: **29/441,741**

(22) Filed: **Jan. 9, 2013**

(30) **Foreign Application Priority Data**

Jul. 9, 2012 (AU) 13246/2012

(51) **LOC (9) Cl.** **04-02**

(52) **U.S. Cl.**
USPC **D4/104; D4/138**

(58) **Field of Classification Search**
USPC D4/101, 104-112, 132-136, 138;
D8/80, 83, 107, 303, DIG. 4, DIG. 7,
D8/DIG. 8; D24/133, 146, 147, 152;
D28/63; D32/51, 52; 15/143.1, 159.1,
15/160, 167.1, 167.2, 186-188; D7/393,
D7/395, 401.2; 16/430, 431; 132/308-311,
132/313; 401/183-185; 601/139, 141, 142;
81/177.1, 489

See application file for complete search history.

(56) **References Cited**

U.S. PATENT DOCUMENTS

687,401 A * 11/1901 Morse 81/177.1
1,345,443 A * 7/1920 Hood 81/436

2,736,048 A * 2/1956 Gregoire 15/28
D324,776 S * 3/1992 Griffin et al. D4/114
D592,482 S * 5/2009 Gregory D8/98
D621,237 S * 8/2010 Papenfuss D8/47
D628,809 S * 12/2010 Daniel D4/108
D633,357 S * 3/2011 Garcia et al. D8/83
D668,339 S * 10/2012 Luoto D24/152
2010/0266983 A1 * 10/2010 Ng et al. 433/114

FOREIGN PATENT DOCUMENTS

JP 1219079 S * 10/2004
JP 1444533 S * 6/2012

OTHER PUBLICATIONS

CN 301855900 Registered Design, (Yang et al.) Mar. 14, 2012,
[online], [retrieved on Jun. 6, 2013] Retrieved from the Questel
Intellectual Property Portal Design Database using the Internet:
<URL: <http://www.orbit.com>>.*

(Continued)

Primary Examiner — Melanie H Tung

Assistant Examiner — Lavone D Tabor

(74) *Attorney, Agent, or Firm* — Banner & Witcoff, Ltd.

(57) **CLAIM**

The ornamental design for a toothbrush, as shown and
described.

DESCRIPTION

FIG. 1 is a top, front, right perspective view of a toothbrush
showing my new design;

FIG. 2 is a front view thereof;

FIG. 3 is a right side view thereof;

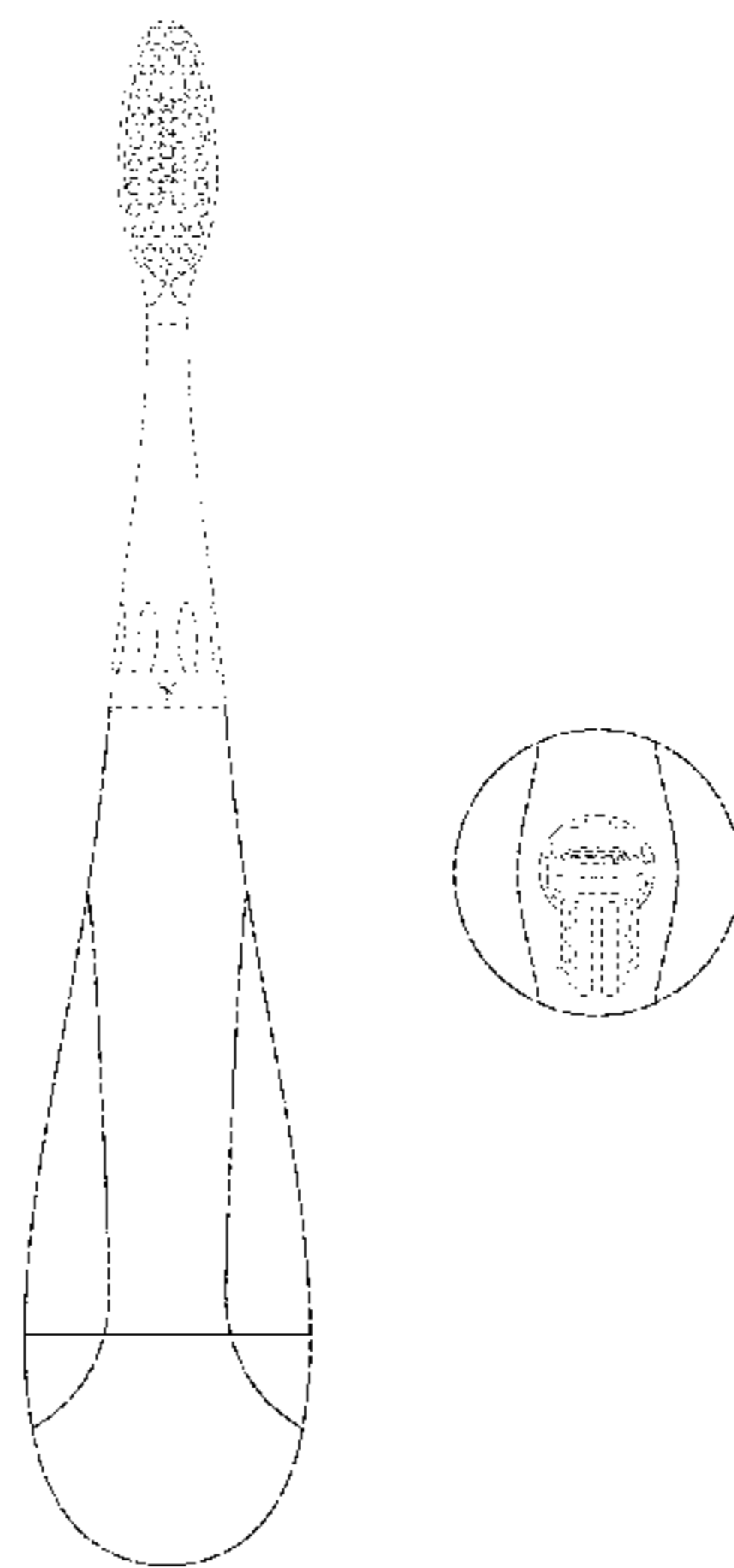
FIG. 4 is a left side view thereof;

FIG. 5 is a top view thereof; and,

FIG. 6 is a bottom view thereof.

The uneven-length broken lines represent unclaimed bound-
aries of the claimed design. The even-length broken lines
showing the remainder of the toothbrush are for environmen-
tal purposes only and form no part of the claimed design.

1 Claim, 3 Drawing Sheets



(56)

References Cited

Intellectual Property Portal Design Database using the Internet:

OTHER PUBLICATIONS

<URL: <http://www.orbit.com>>.*

CN 302098072 Registered Design, (Chen, Shuyun) Oct. 3, 2012,
[online], [retrieved on Jun. 6, 2013] Retrieved from the Questel

* cited by examiner

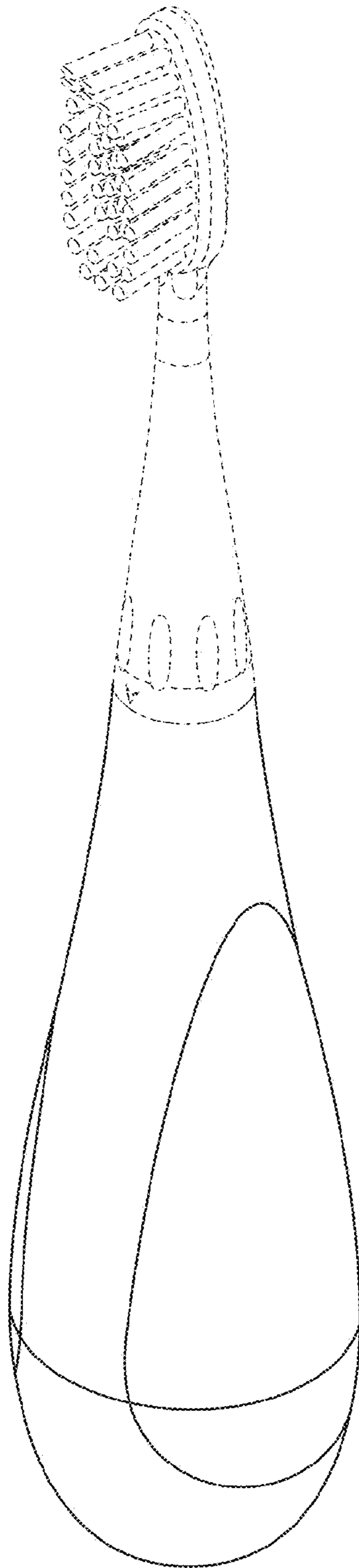


FIG. 1

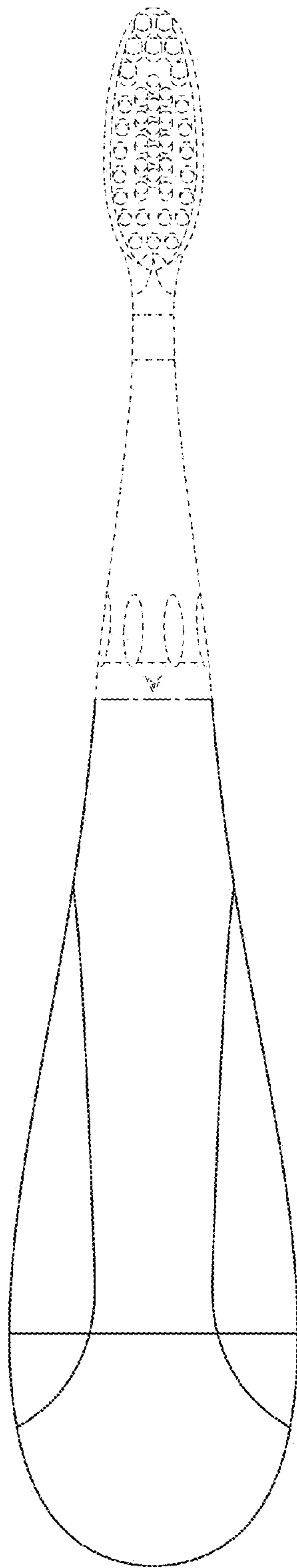


FIG. 2

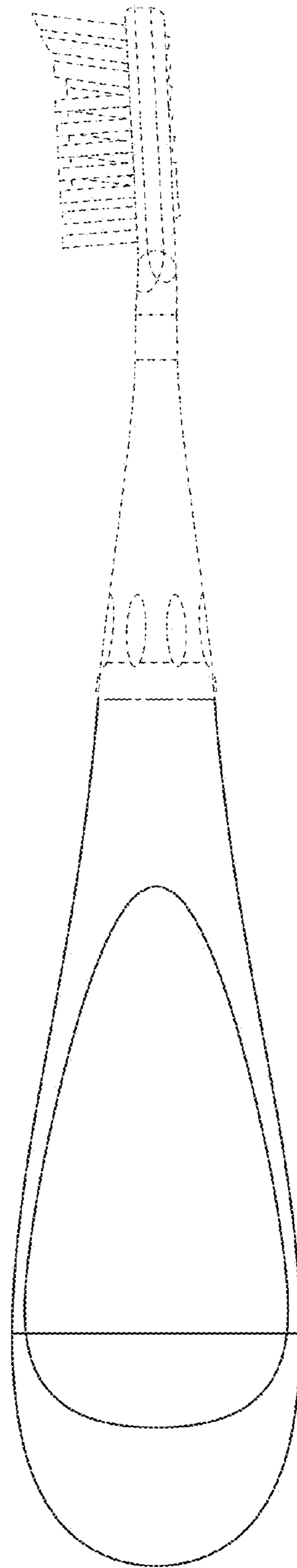


FIG. 3

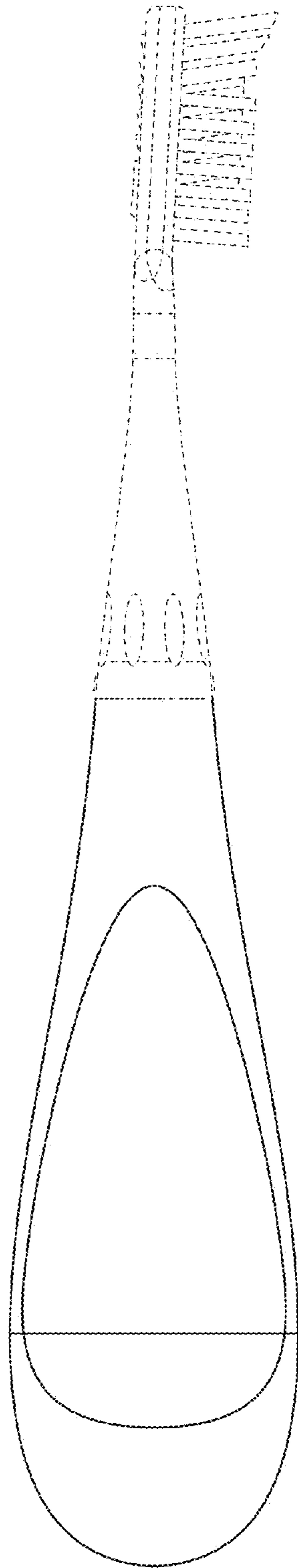


FIG. 4

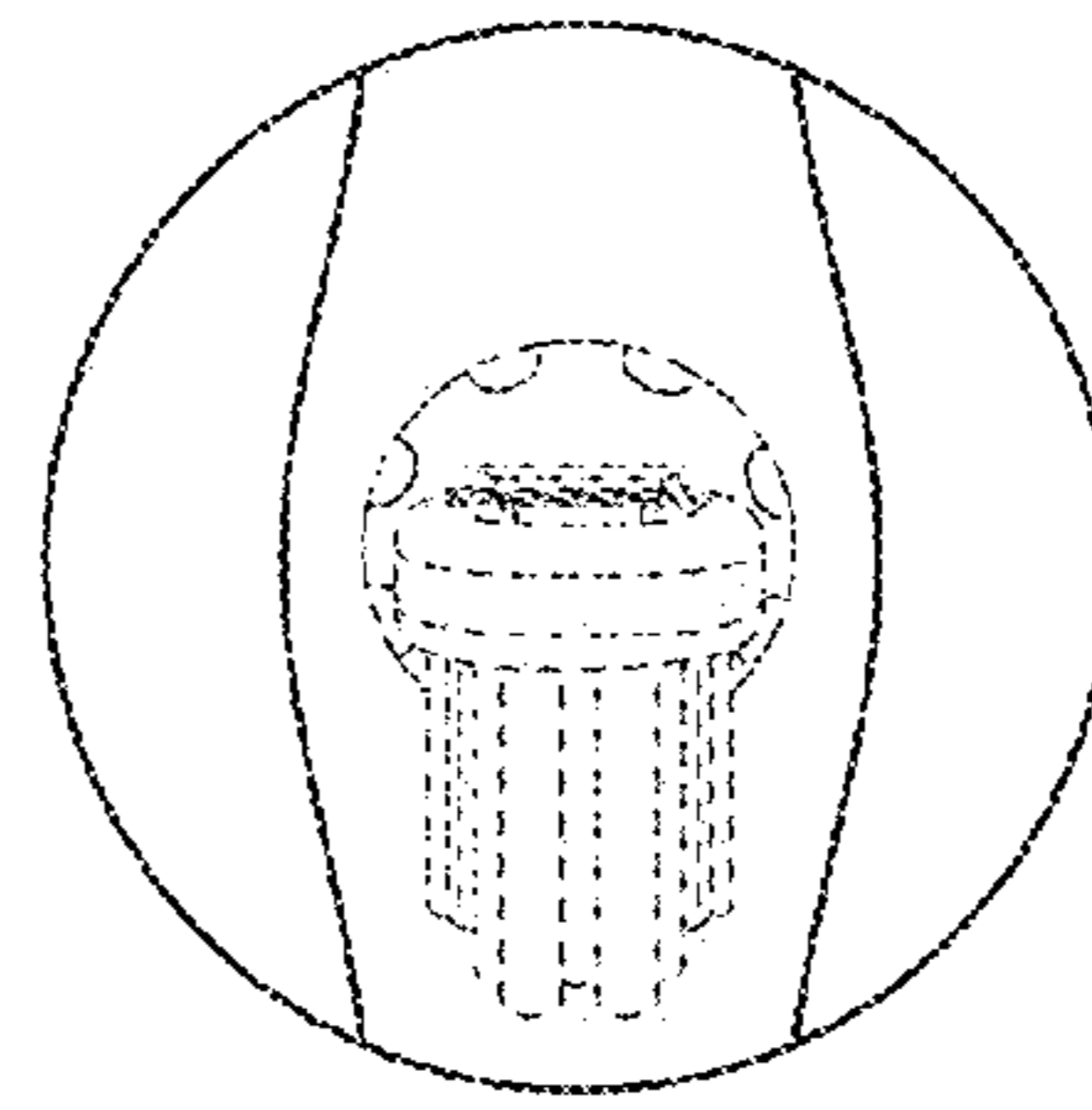


FIG. 5

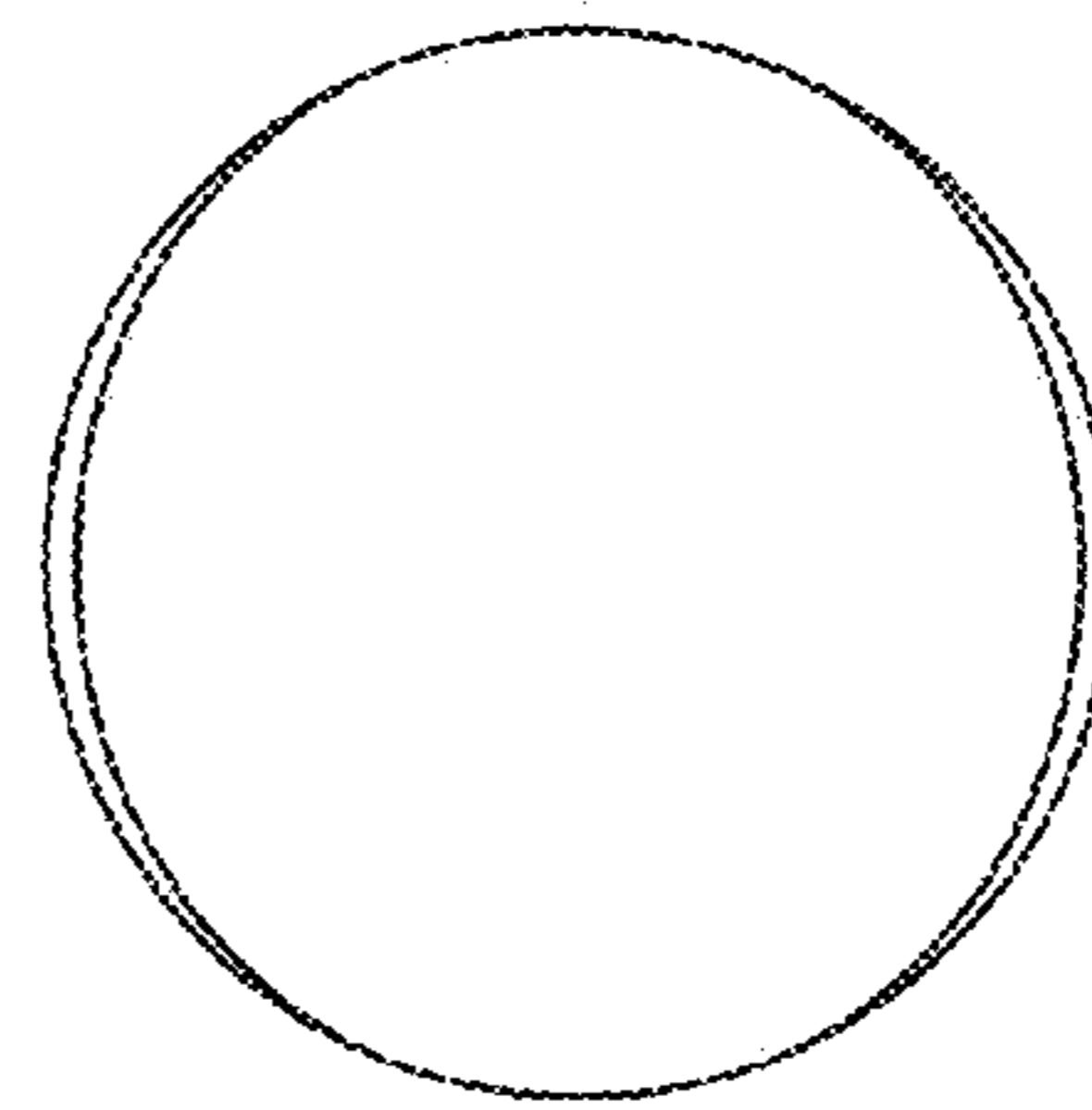


FIG. 6