



US00D694522S

(12) **United States Design Patent**
Horovitz

(10) **Patent No.:** **US D694,522 S**
(45) **Date of Patent:** **** Dec. 3, 2013**

(54) **TOOLBOX**

(71) Applicant: **The Stanley Works Israel Ltd.**, Rosh Ha' Ayin (IL)

(72) Inventor: **Nadin Daniel Horovitz**, Rehovot (IL)

(73) Assignee: **The Stanley Works Israel, Ltd.** (IL)

(**) Term: **14 Years**

(21) Appl. No.: **29/437,597**

(22) Filed: **Nov. 19, 2012**

(30) **Foreign Application Priority Data**

May 31, 2012 (EM) 001328538

(51) **LOC (9) Cl.** **03-01**

(52) **U.S. Cl.**
USPC **D3/281; D3/284; D3/297; D3/905**

(58) **Field of Classification Search**
USPC **D3/273, 276, 281, 282, 283-286, 297, D3/905, 294-295; 220/523, 524, 527, 220/4.27; 206/349, 372-379; 280/47.19, 280/47.26**

See application file for complete search history.

(56) **References Cited**

U.S. PATENT DOCUMENTS

D511,632	S	*	11/2005	Lown	D3/276
D517,805	S	*	3/2006	Hosking	D3/295
D627,968	S	*	11/2010	Brunner	D3/281
D649,350	S	*	11/2011	Shitrit	D3/281
D668,048	S	*	10/2012	Vilkomirski et al.	D3/281
2005/0155889	A1	*	7/2005	Lown	206/501
2010/0224527	A1	*	9/2010	Huang	206/503

* cited by examiner

Primary Examiner — Jennifer Rivard

(74) *Attorney, Agent, or Firm* — Bruce S. Shapiro; John Yun; Stephen R. Valancius

(57) **CLAIM**

The ornamental design for a toolbox, as shown and described.

DESCRIPTION

FIG. 1 is a right front perspective view of my new design.

FIG. 2 is a right side view thereof.

FIG. 3 is a left side view thereof.

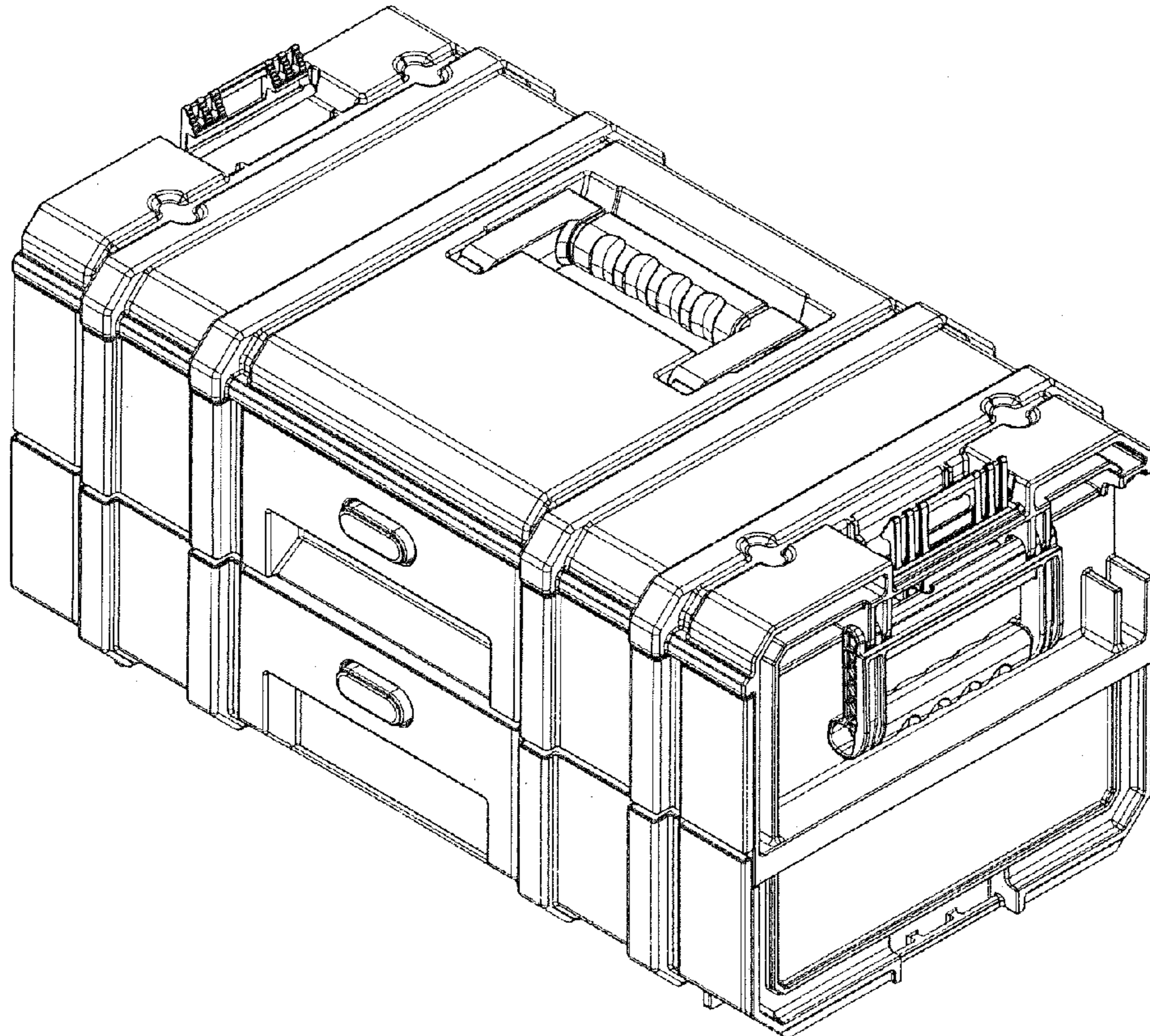
FIG. 4 is a front view thereof.

FIG. 5 is a rear view thereof.

FIG. 6 is a top view thereof; and,

FIG. 7 is a bottom view thereof.

1 Claim, 7 Drawing Sheets



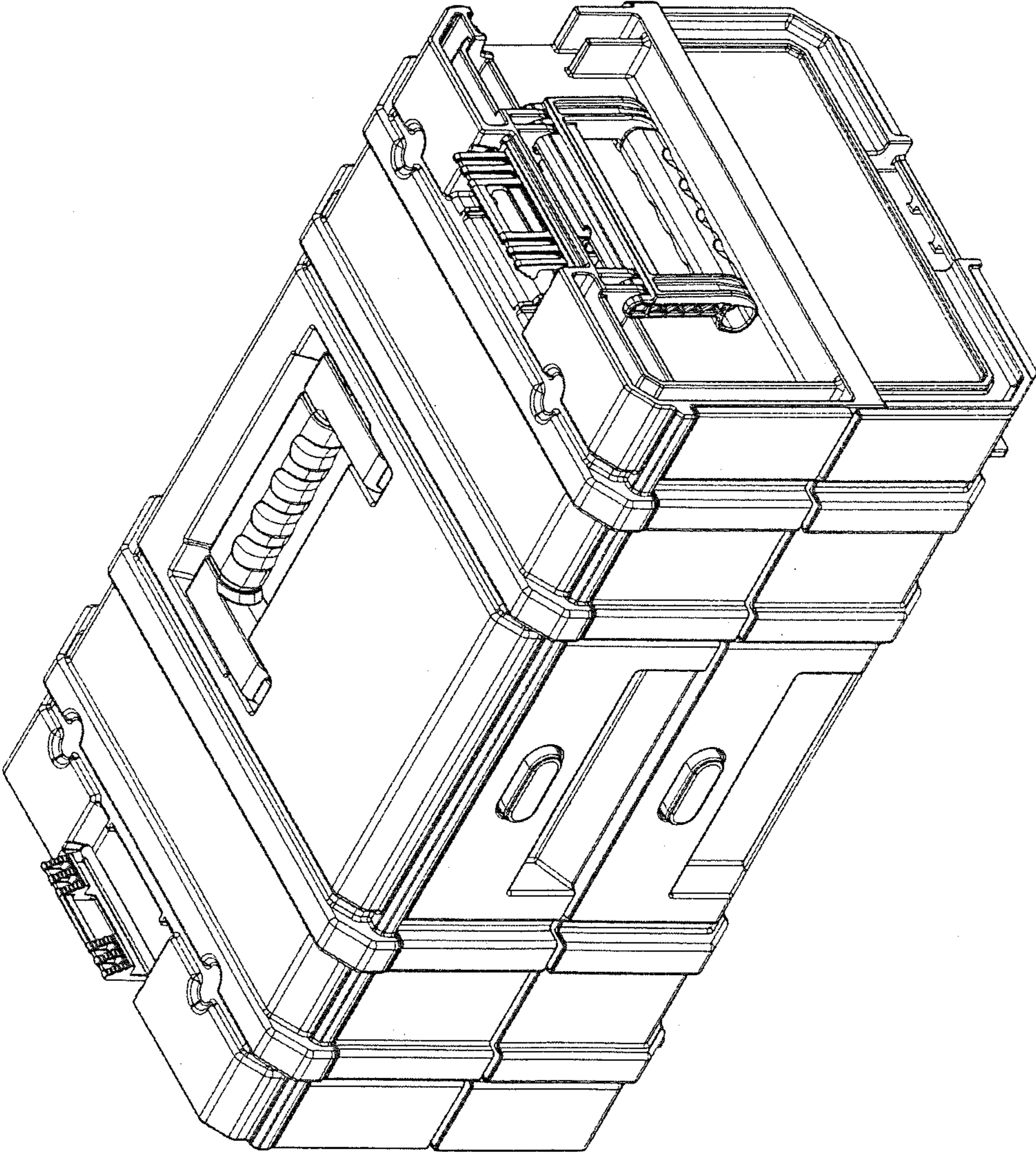


FIG.1

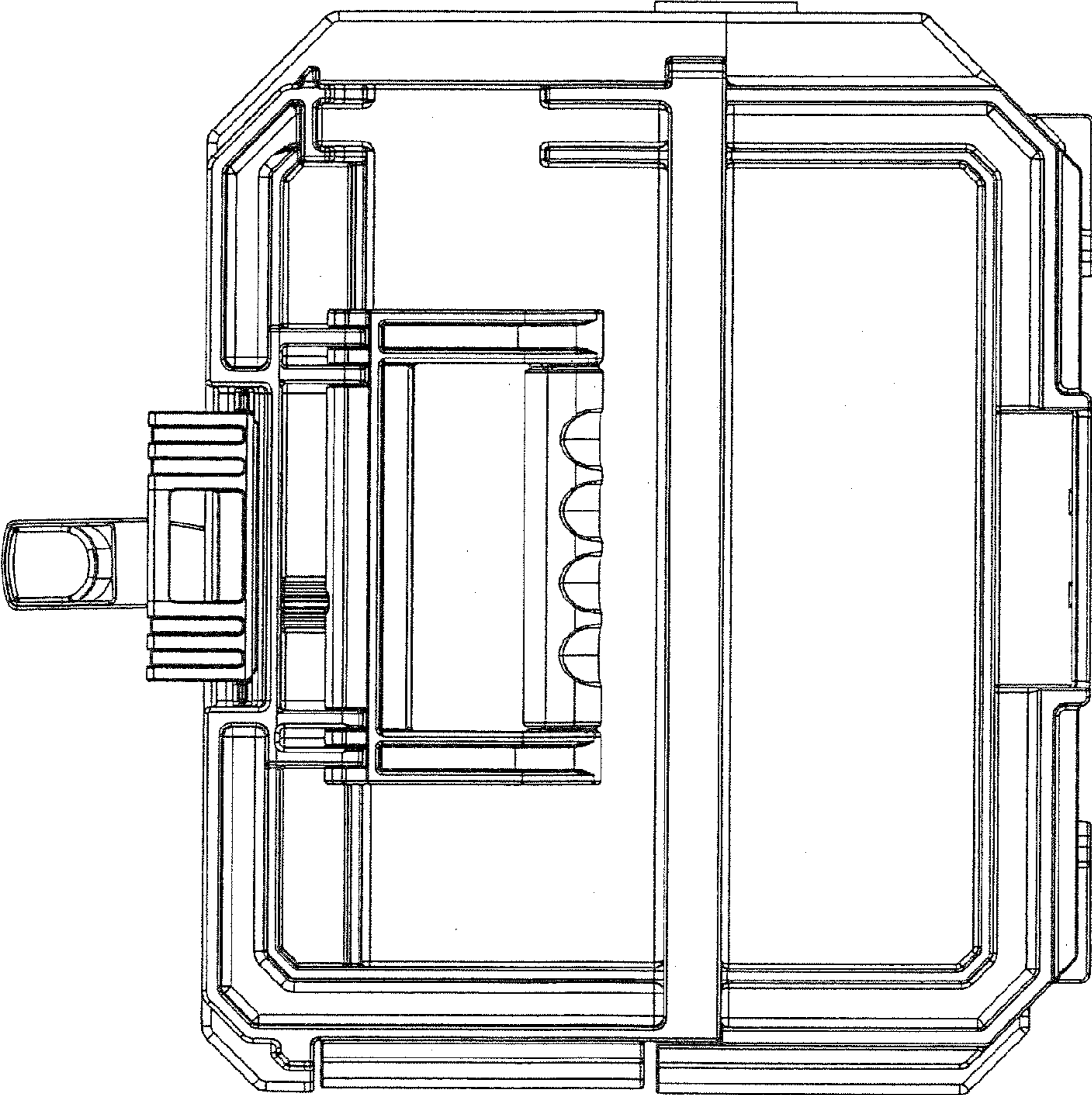


FIG.2

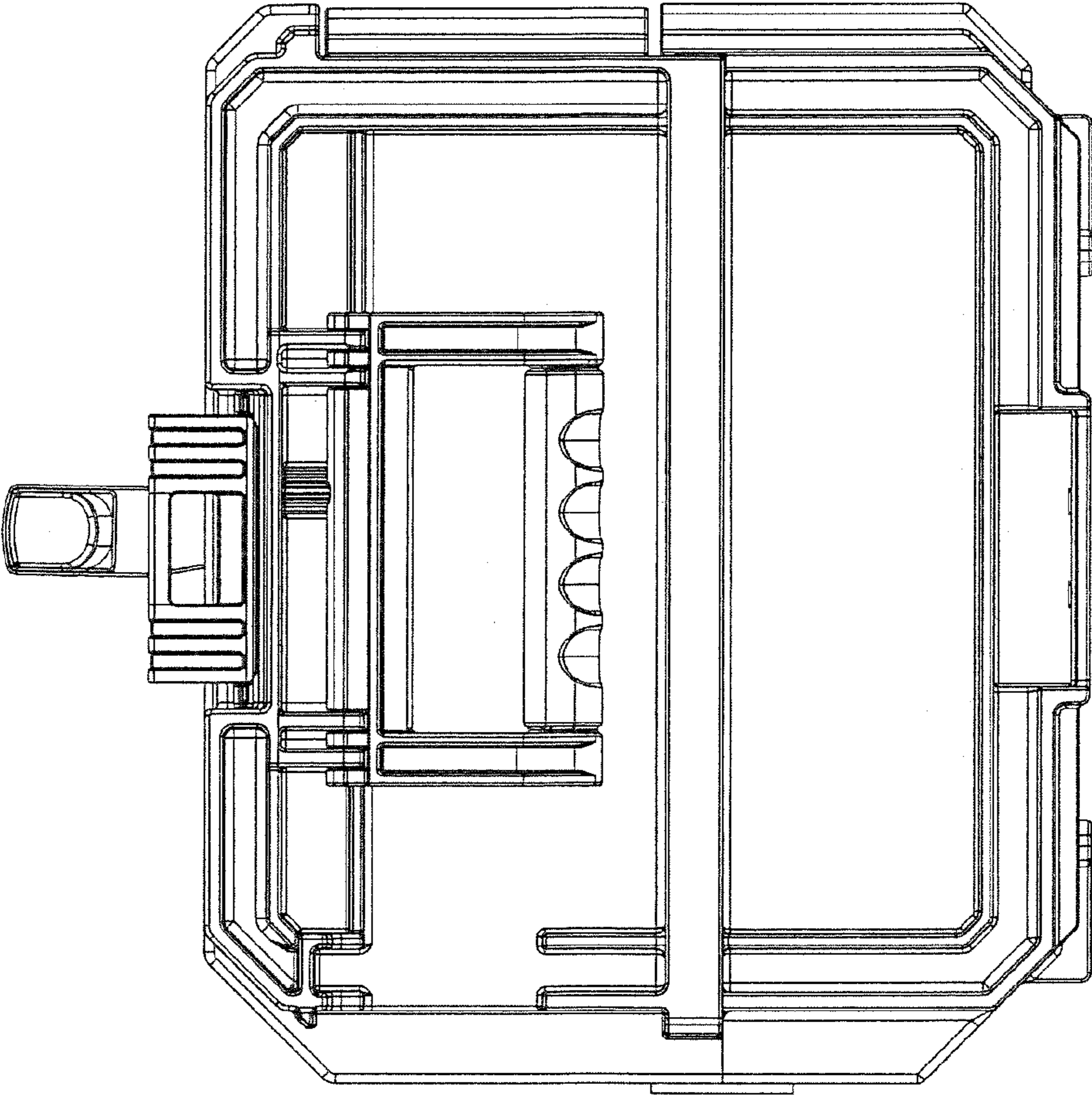


FIG.3

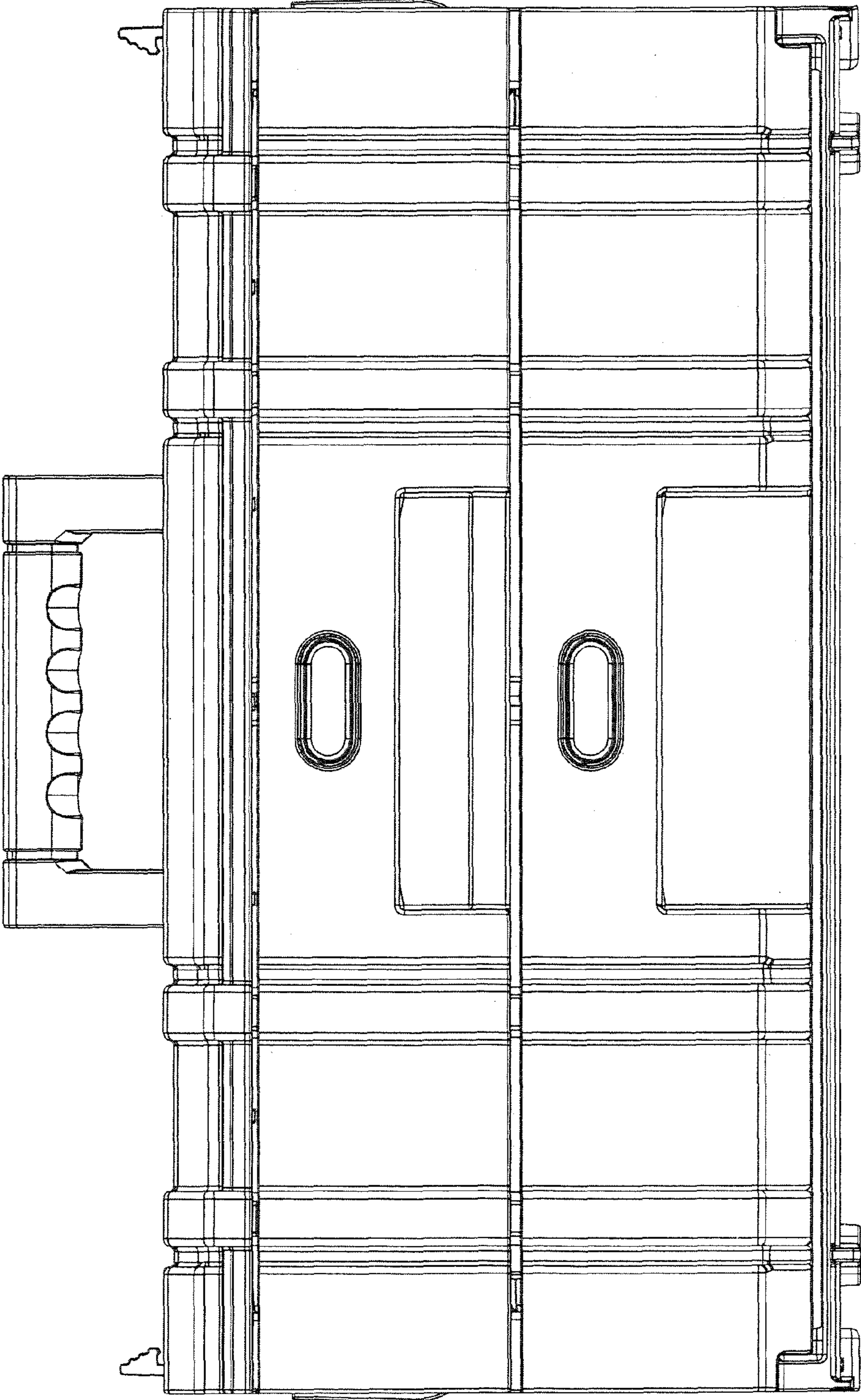


FIG.4

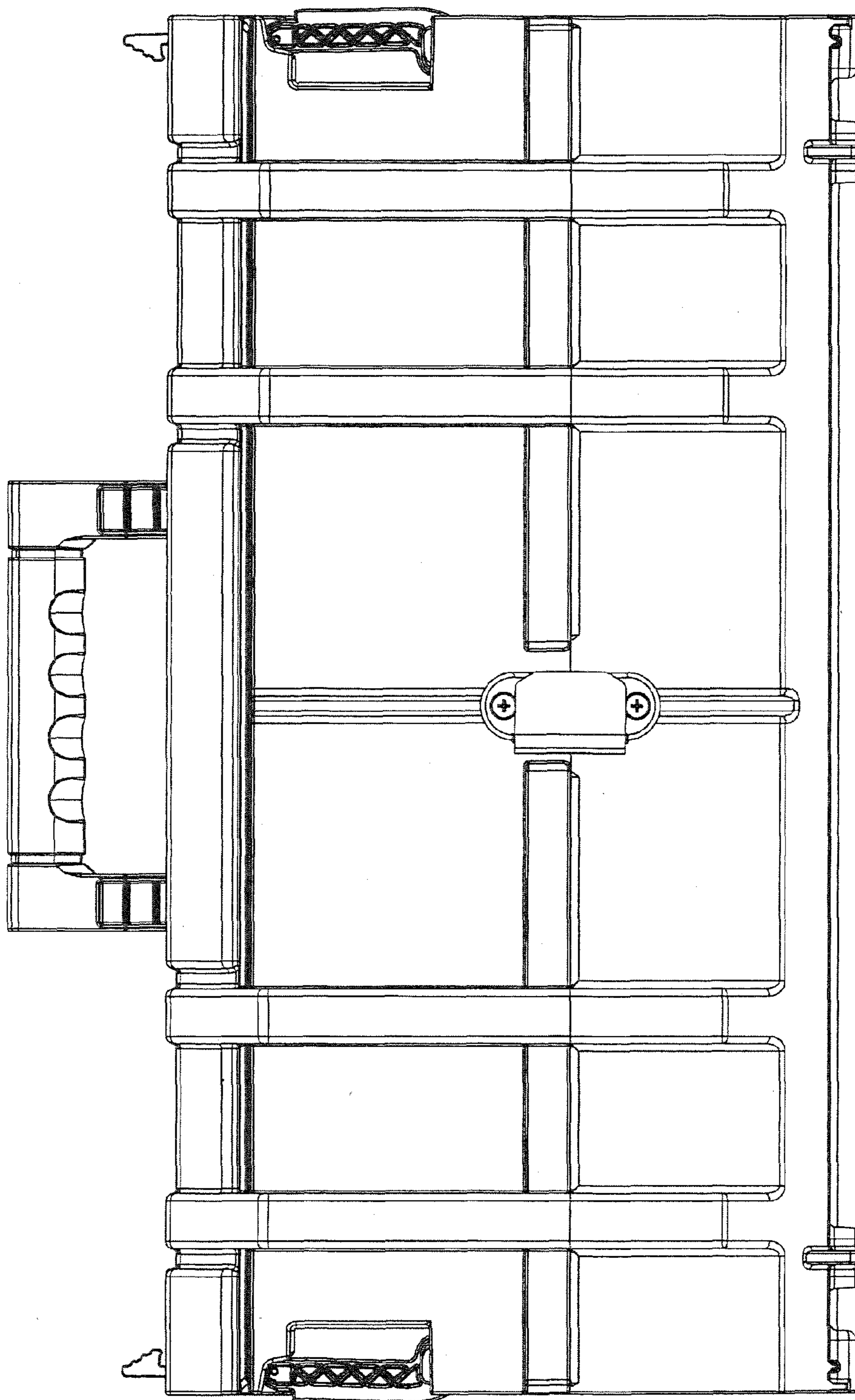


FIG.5

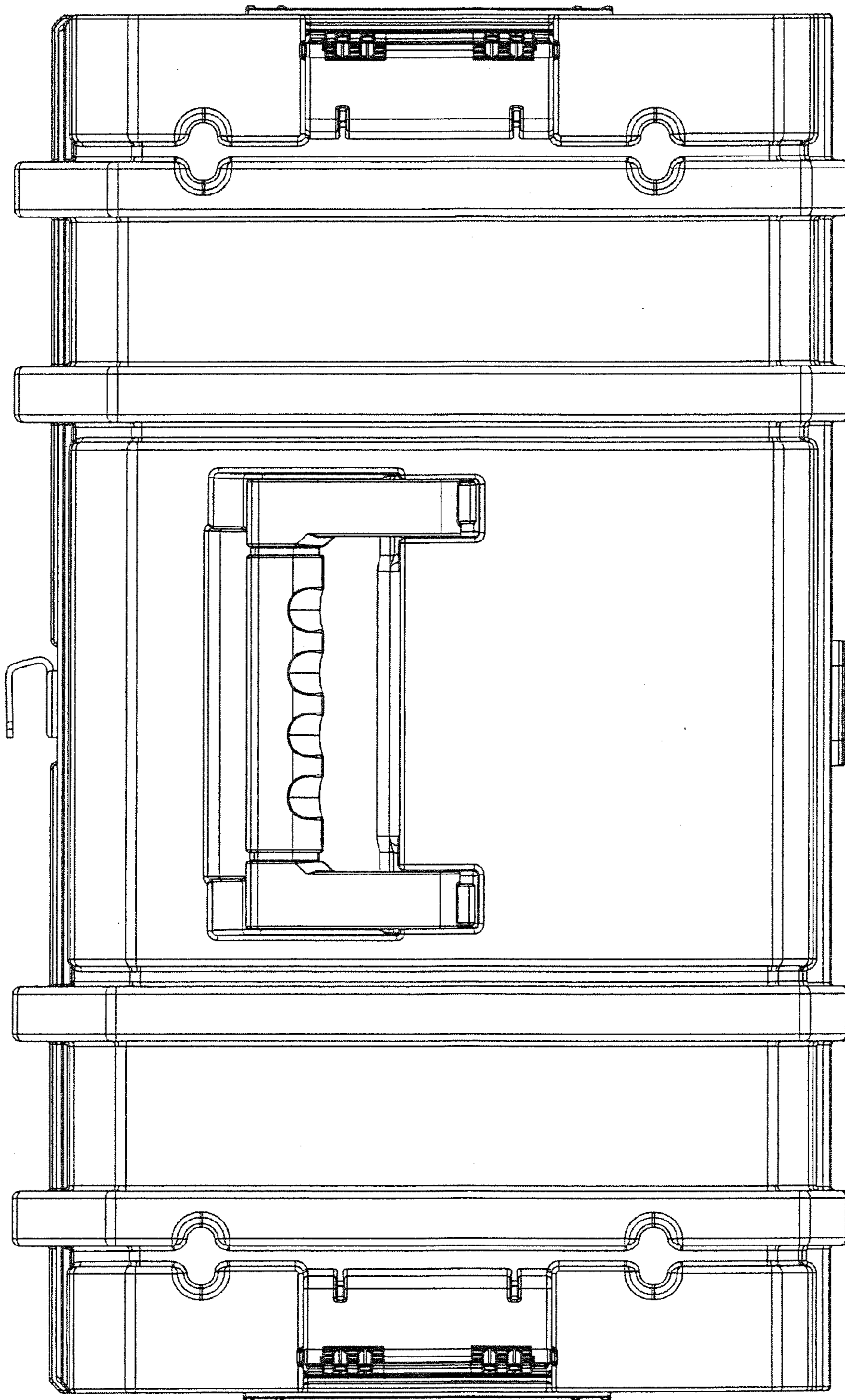


FIG.6

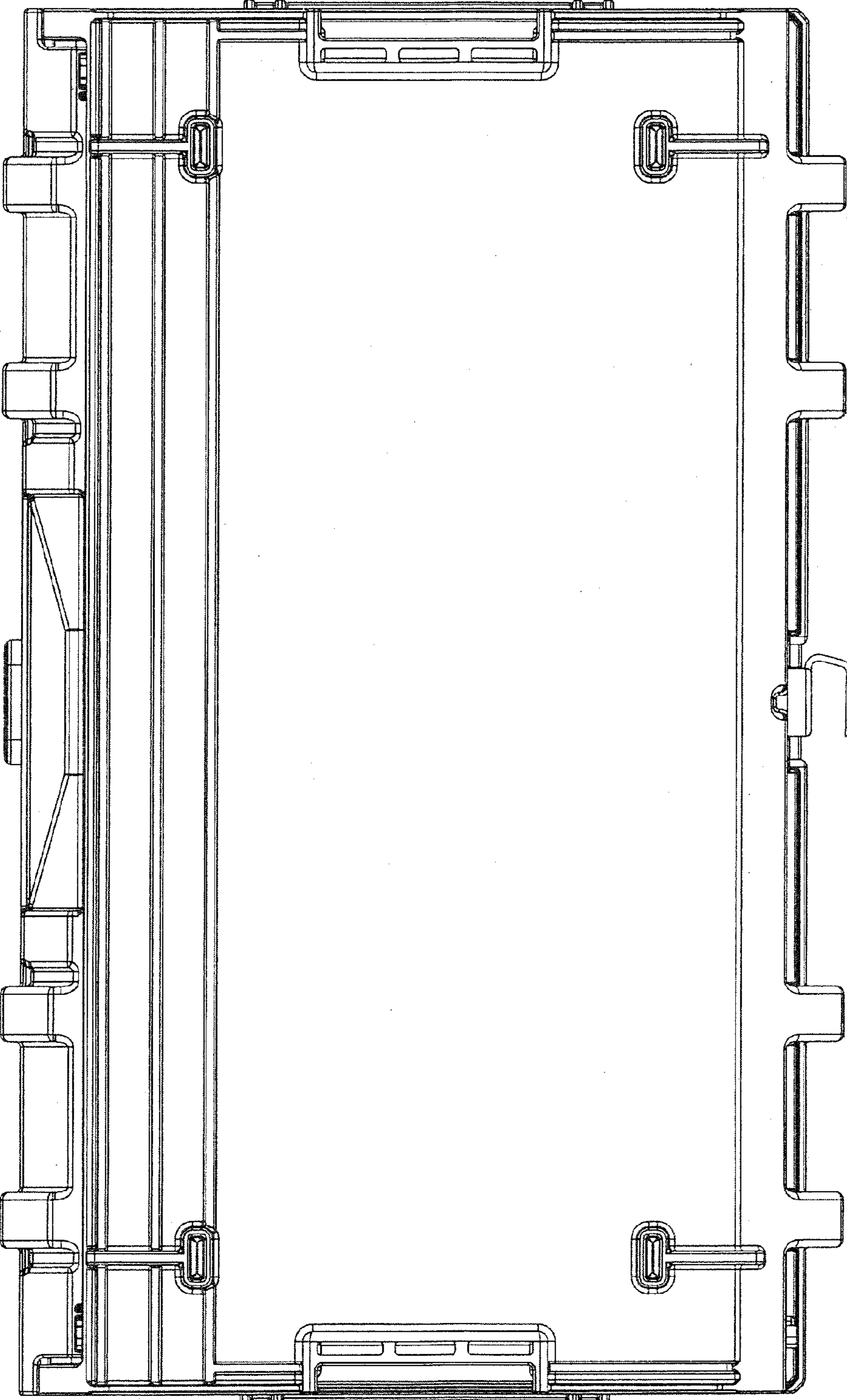


FIG.7