



US00D694521S

(12) **United States Design Patent**
Robinson et al.

(10) **Patent No.:** **US D694,521 S**
(45) **Date of Patent:** **** Dec. 3, 2013**

(54) **CASE**
(75) Inventors: **Jonathan Shea Robinson**, Fort Collins, CO (US); **Larry Holmes**, Fort Collins, CO (US)
(73) Assignee: **Otter Products, LLC**, Fort Collins, CO (US)
(**) Term: **14 Years**

D513,123 S	12/2005	Richardson et al.	
D513,451 S	1/2006	Richardson et al.	
6,991,103 B2 *	1/2006	Chen	206/373
D514,808 S	2/2006	Morine et al.	
D516,309 S	3/2006	Richardson et al.	
D516,807 S	3/2006	Richardson et al.	
D537,631 S *	3/2007	Kung	D3/276
D555,902 S *	11/2007	Pendergraph et al.	D3/273
D622,502 S *	8/2010	Badawi	D3/273
D675,434 S *	2/2013	Vernall et al.	D3/294

* cited by examiner

(21) Appl. No.: **29/429,676**

Primary Examiner — Jennifer Rivard

(22) Filed: **Aug. 15, 2012**

(51) **LOC (9) Cl.** **03-01**

(57) **CLAIM**

The ornamental design for a case, as shown and described.

(52) **U.S. Cl.**

USPC **D3/273**; D3/282; D3/294

DESCRIPTION

(58) **Field of Classification Search**

USPC D3/273, 276, 281, 282, 283–286, 297, D3/905, 294–295; 220/523, 524, 527, 220/4.27; 206/349, 372–379; 280/47.19, 280/47.26

FIG. 1 is a front isometric view of a case showing our new design;
FIG. 2 is a rear isometric view thereof;
FIG. 3 is a front view thereof;
FIG. 4 is a rear view thereof;
FIG. 5 is a left view thereof;
FIG. 6 is a right view thereof;
FIG. 7 is a top view thereof; and,
FIG. 8 is a bottom view thereof.

See application file for complete search history.

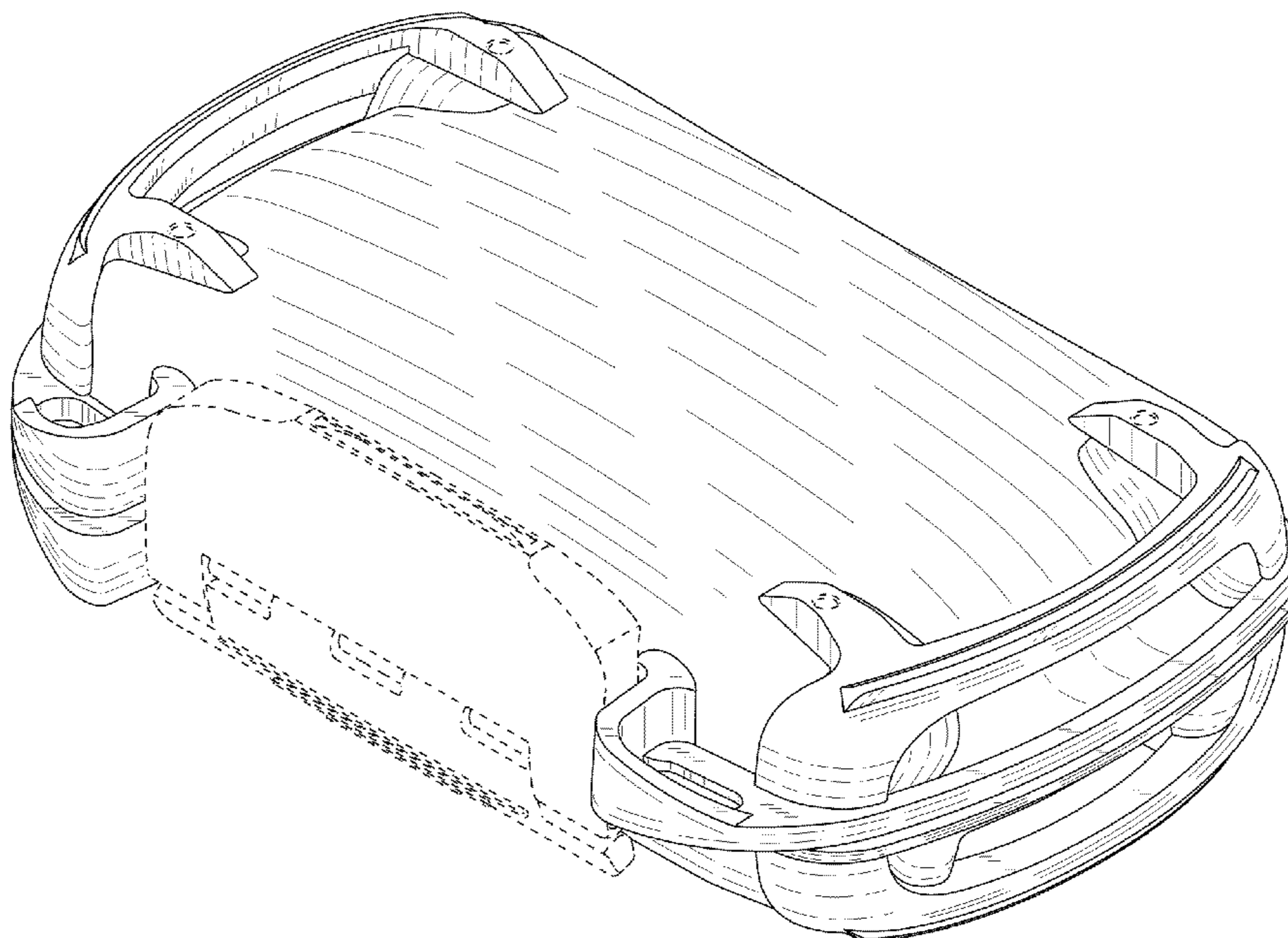
The broken lines immediately adjacent the claimed surfaces represent boundaries of the claimed design. All other broken lines depict unclaimed environment. The broken lines form no part of the claimed design.

(56) **References Cited**

U.S. PATENT DOCUMENTS

D419,297 S	1/2000	Richardson et al.	
D419,767 S	2/2000	Richardson et al.	
D419,768 S	2/2000	Richardson et al.	
D443,133 S	6/2001	Richardson et al.	
D472,384 S	4/2003	Richardson	
D477,714 S *	7/2003	Cunningham et al.	D3/273
D502,316 S *	3/2005	Chen	D3/273

1 Claim, 7 Drawing Sheets



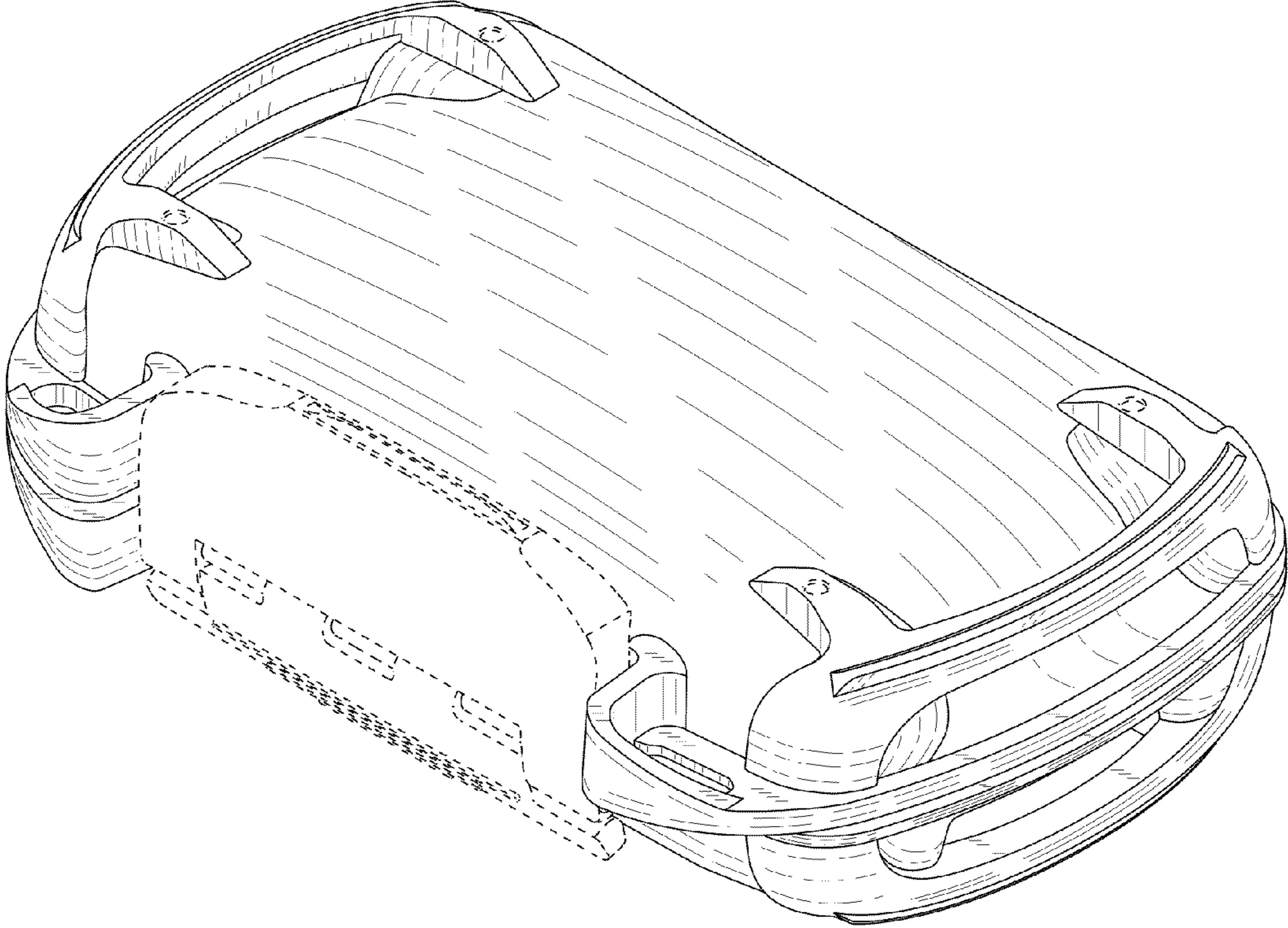


FIG. 1

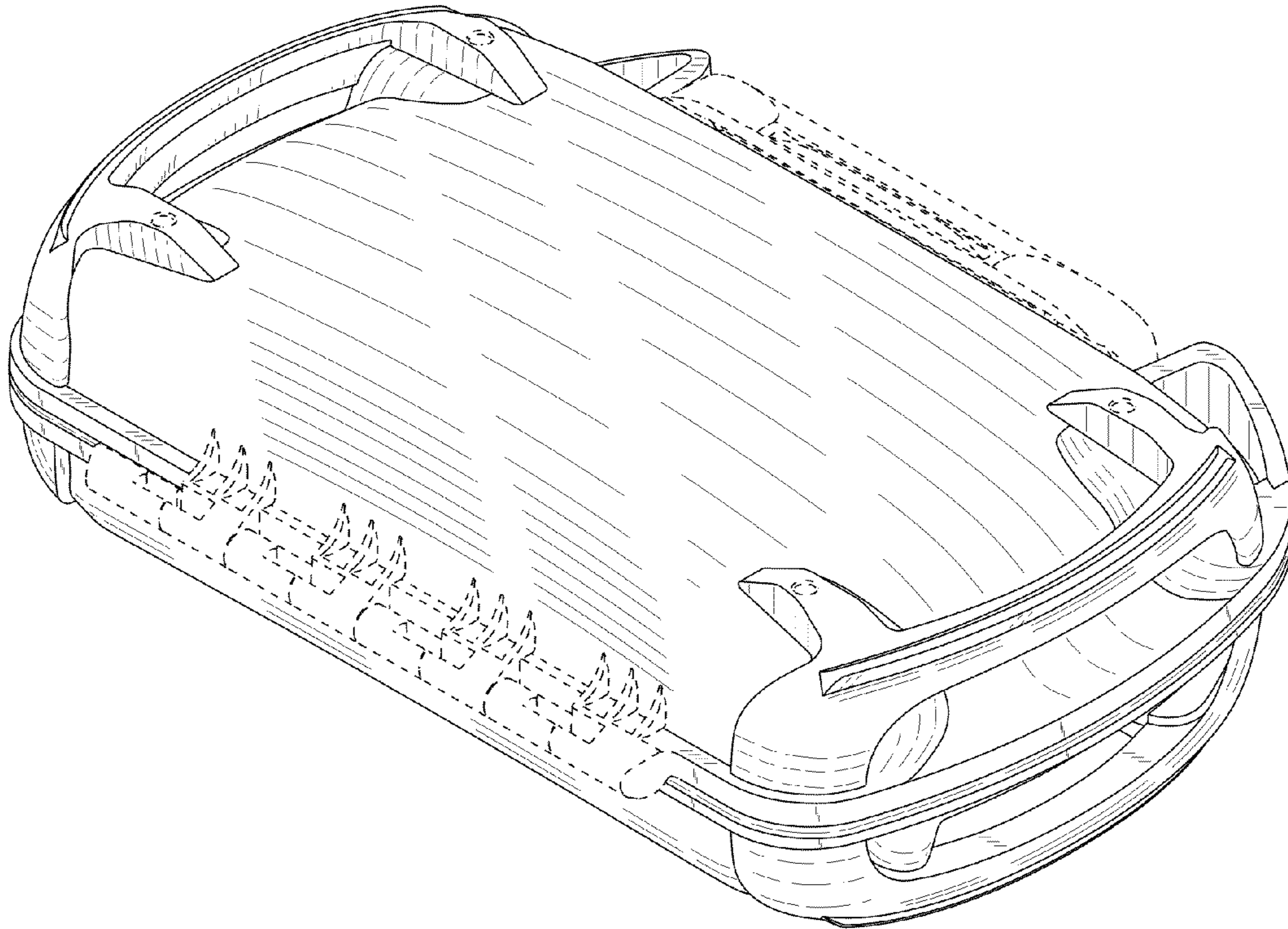


FIG. 2

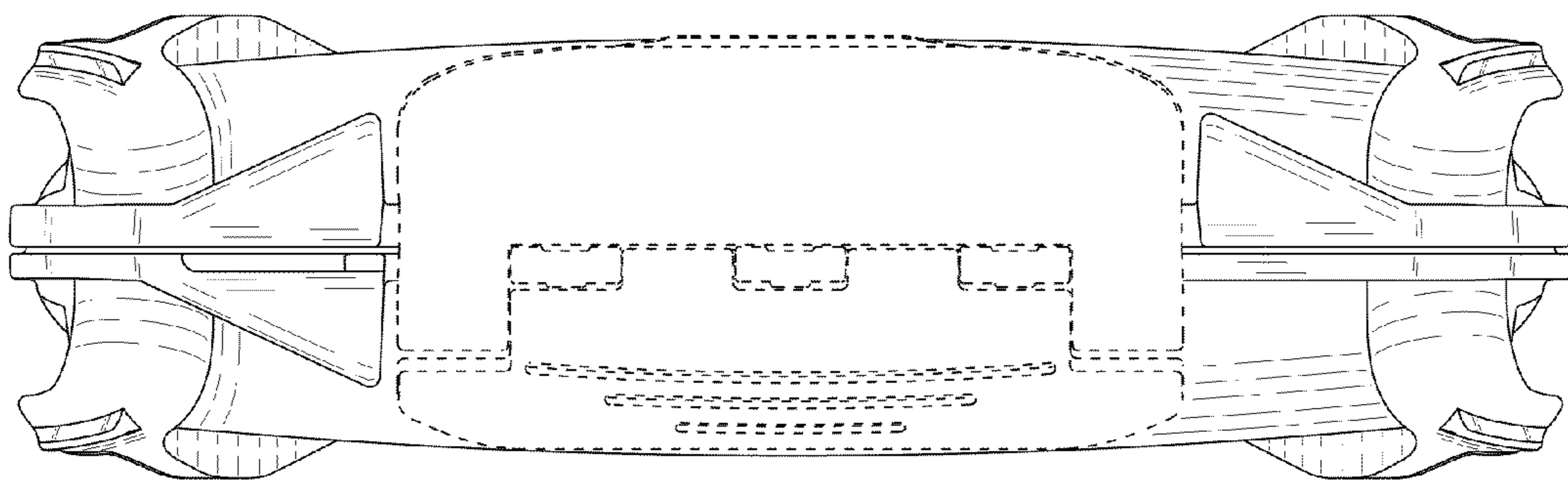


FIG. 3

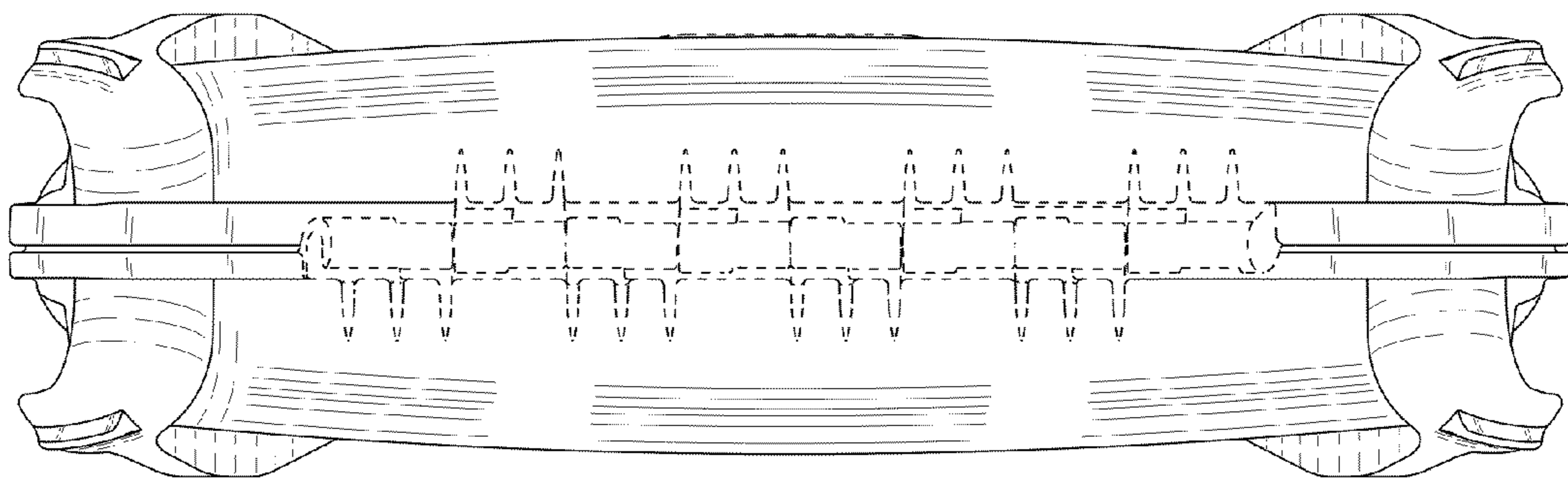


FIG. 4

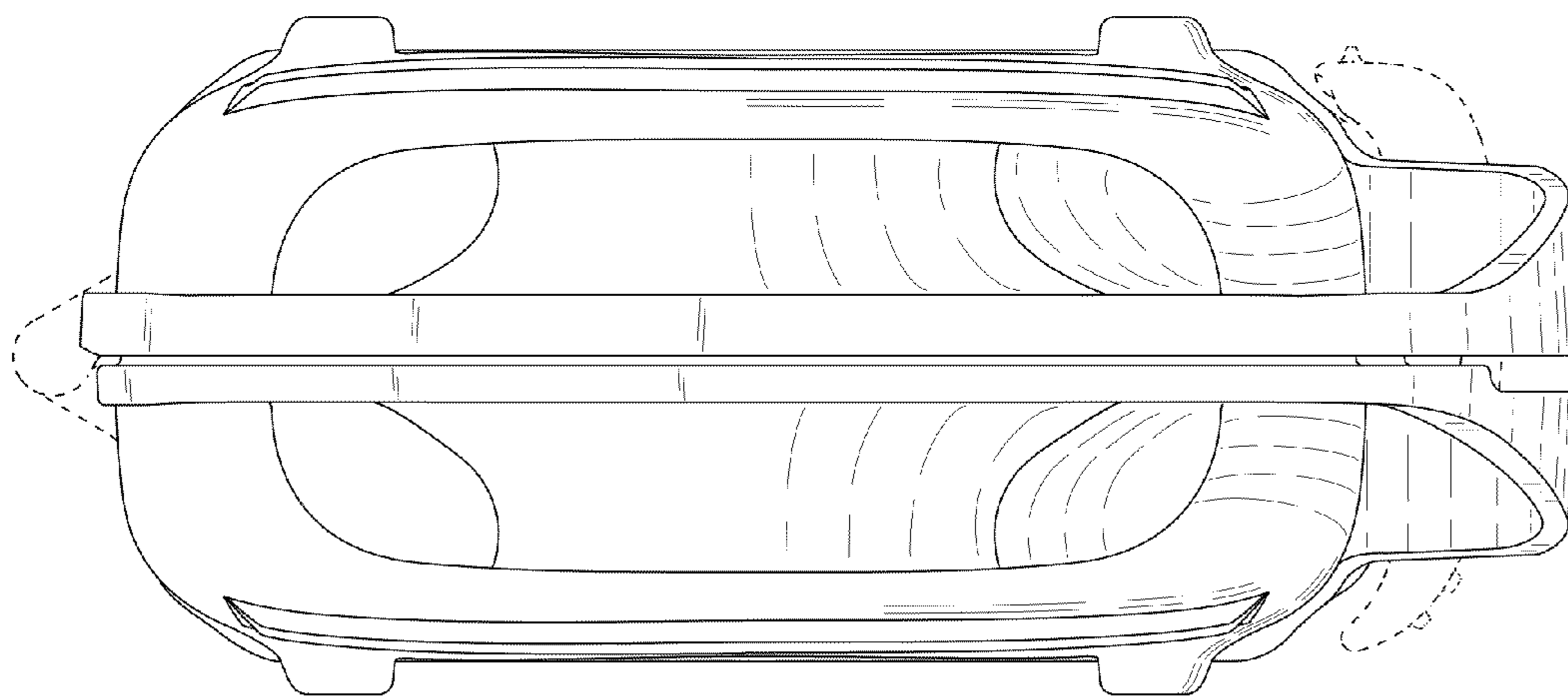


FIG. 5

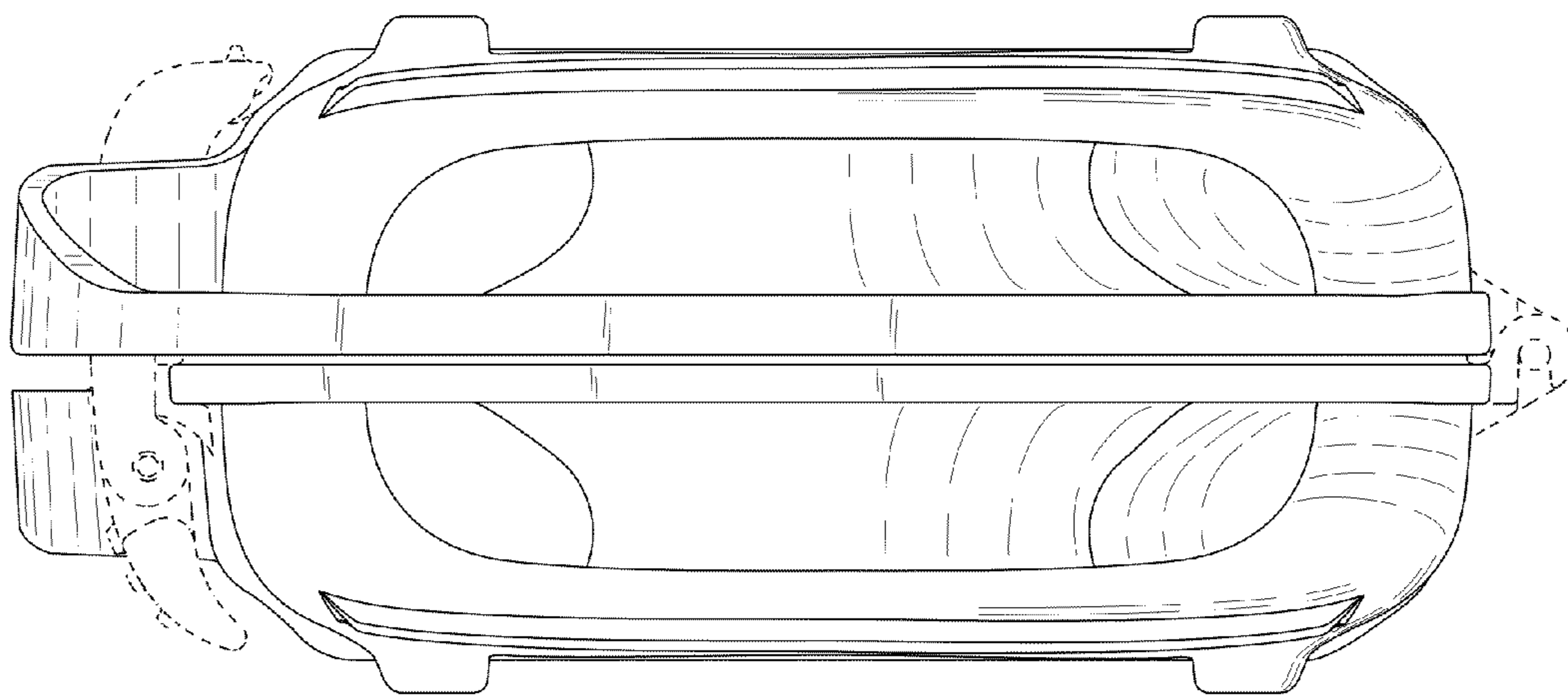


FIG. 6

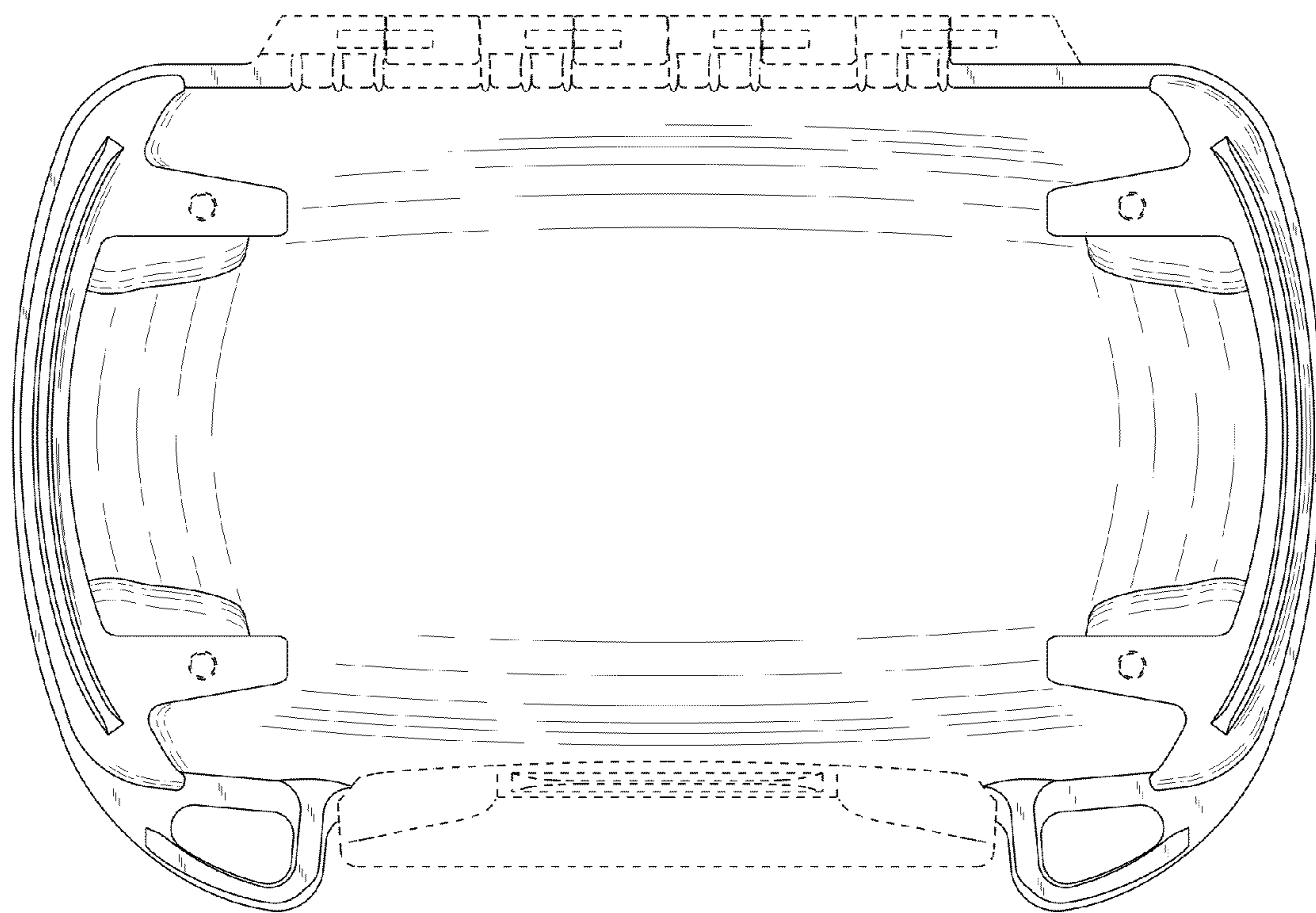


FIG. 7

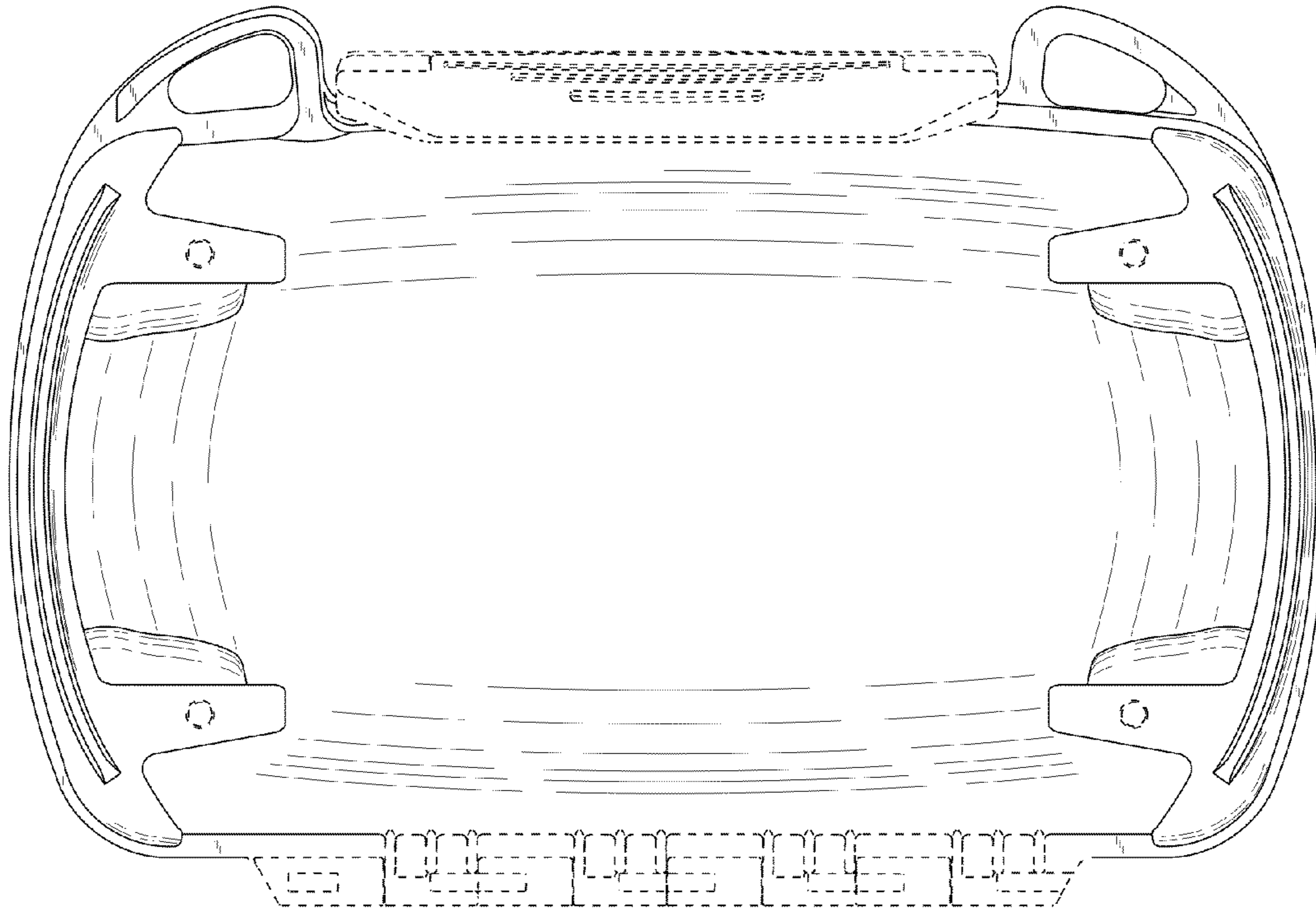


FIG. 8