



US00D694518S

(12) **United States Design Patent**
Aissa et al.

(10) **Patent No.:** **US D694,518 S**
(45) **Date of Patent:** **** Dec. 3, 2013**

(54) **MAKEUP BELT**

(56) **References Cited**

(71) Applicants: **Kenya E. Aissa**, Richmond, CA (US);
Carrie Ann Squires, Richmond, CA
(US)

U.S. PATENT DOCUMENTS

D496,787 S *	10/2004	Cabrera et al.	D3/228
D535,817 S *	1/2007	Perez	D3/226
D571,553 S *	6/2008	Logan et al.	D3/226
D637,394 S *	5/2011	Cunningham et al.	D3/228

(72) Inventors: **Kenya E. Aissa**, Richmond, CA (US);
Carrie Ann Squires, Richmond, CA
(US)

* cited by examiner

Primary Examiner — Catheri Oliver-Garcia
(74) *Attorney, Agent, or Firm* — Herbert T. Patty

(**) Term: **14 Years**

(57) **CLAIM**
The ornamental design for a makeup belt, as shown and described.

(21) Appl. No.: **29/446,518**

DESCRIPTION

(22) Filed: **Feb. 25, 2013**

FIG. 1 is a front perspective view of a makeup belt;
FIG. 2 is a front elevational view thereof;
FIG. 3 is a rear elevational view of FIG. 1;
FIG. 4 is a right elevational view of FIG. 1;
FIG. 5 is a left elevational view of FIG. 1;
FIG. 6 is a top plan view of FIG. 1;
FIG. 7 is a bottom plan view of FIG. 1;
FIG. 8 is a fragmentary rear elevational view of FIG. 1; and,
FIG. 9 is a partial exploded view of FIG. 1; the corset portion
detached from the makeup belt.
The belt is shown broken away to indicate indeterminate
length.

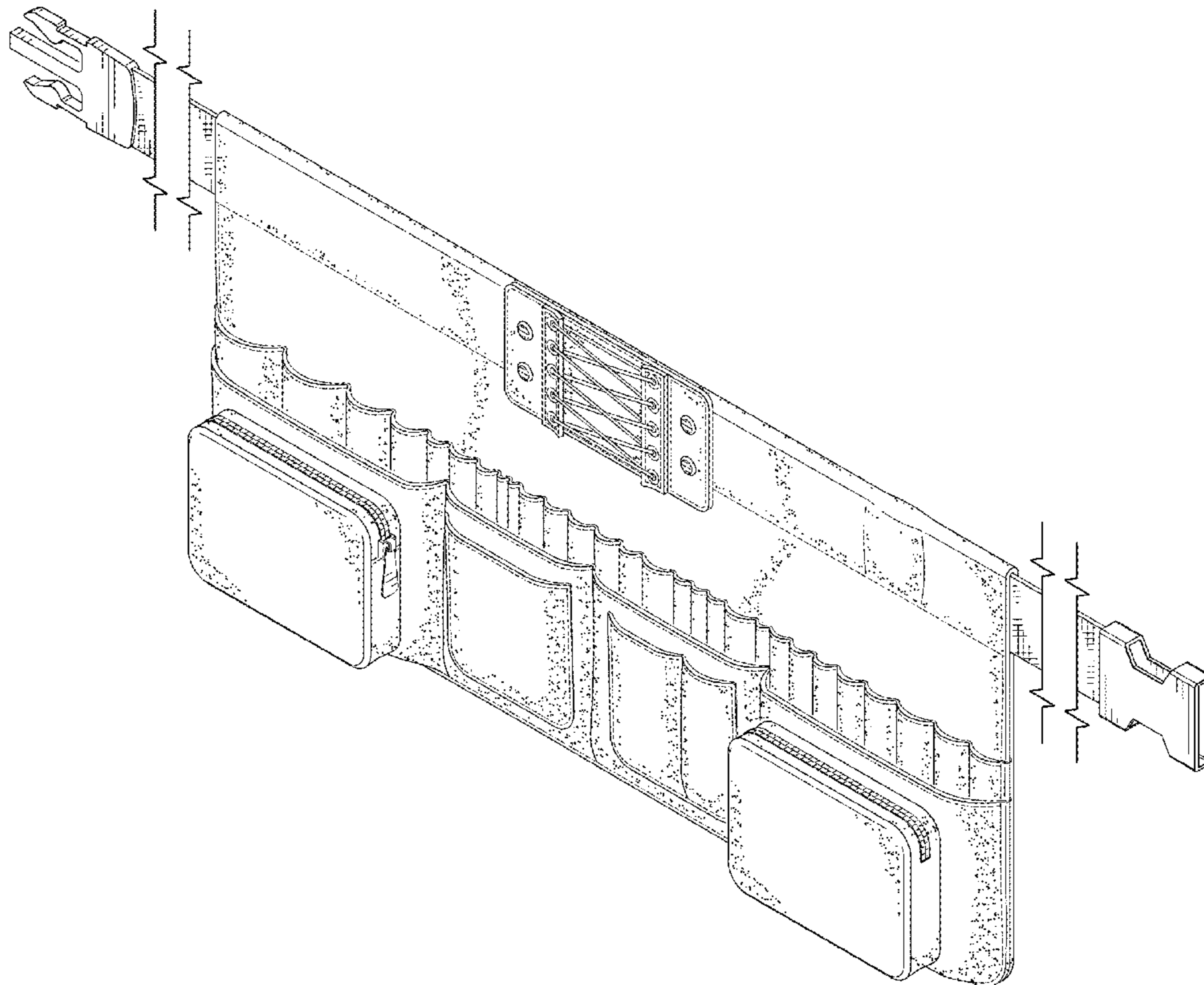
(51) **LOC (9) Cl.** **03-01**

(52) **U.S. Cl.**
USPC **D3/224**

(58) **Field of Classification Search**
USPC D3/224, 215, 221, 226, 228, 205;
224/240–241, 245, 251, 660, 664, 677,
224/587, 581, 219, 222, 267, 269, 602–603,
224/683

See application file for complete search history.

1 Claim, 6 Drawing Sheets



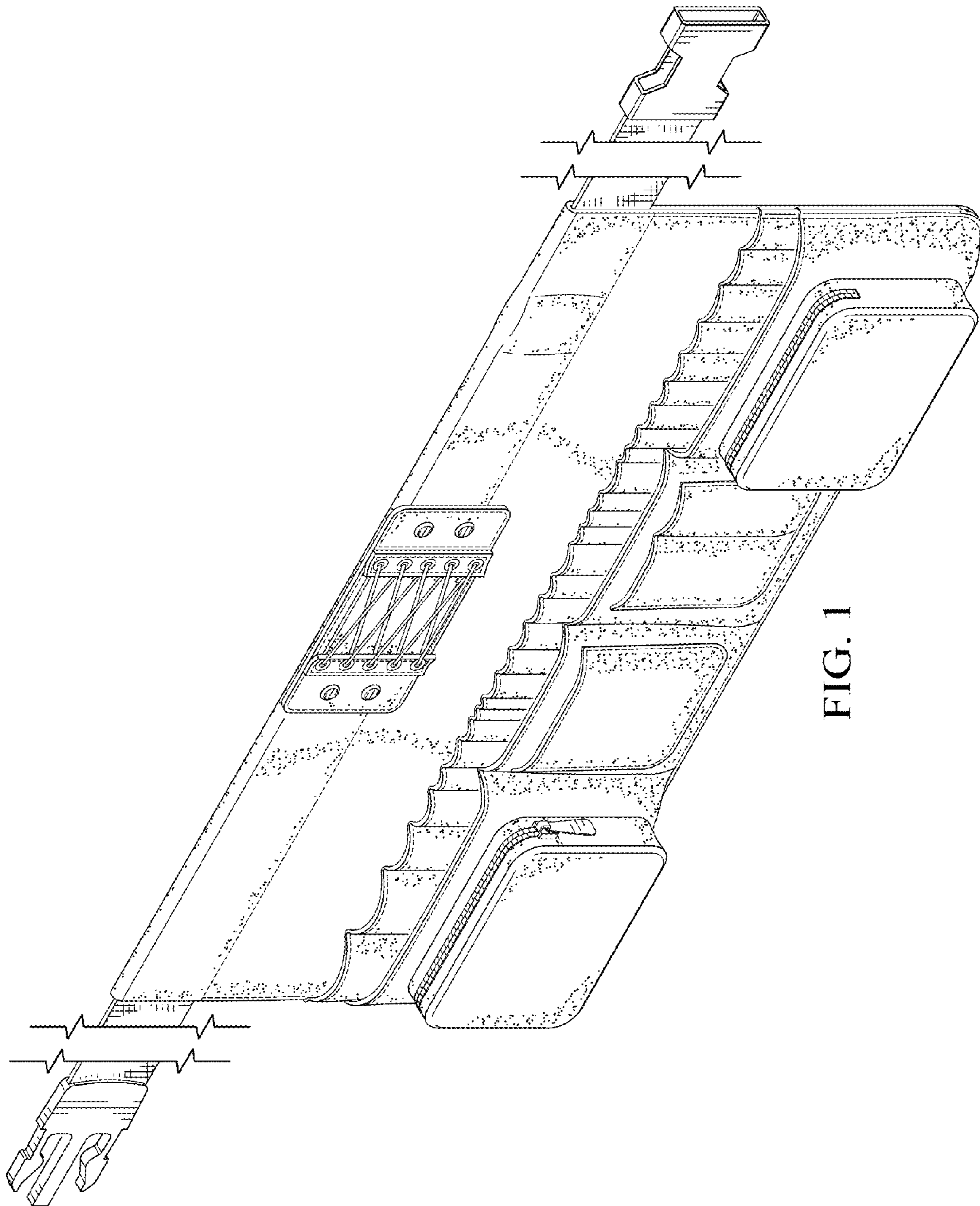


FIG. 1

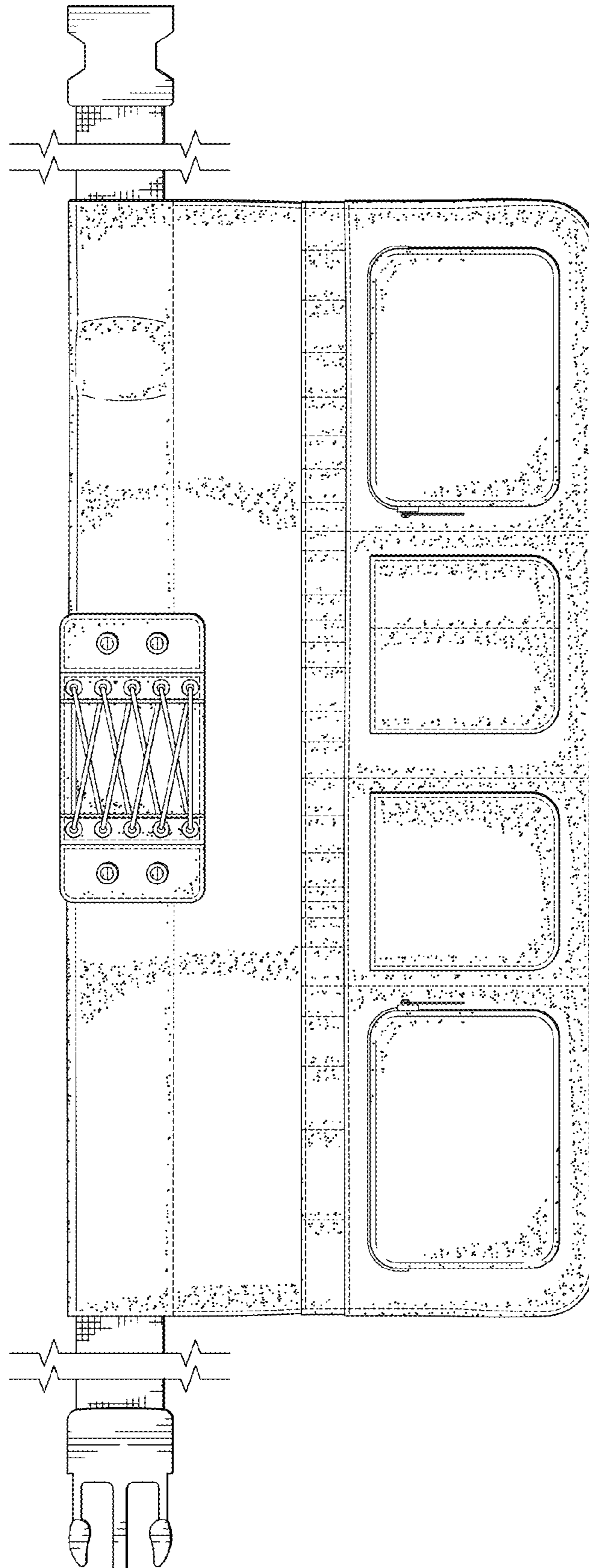


FIG. 2

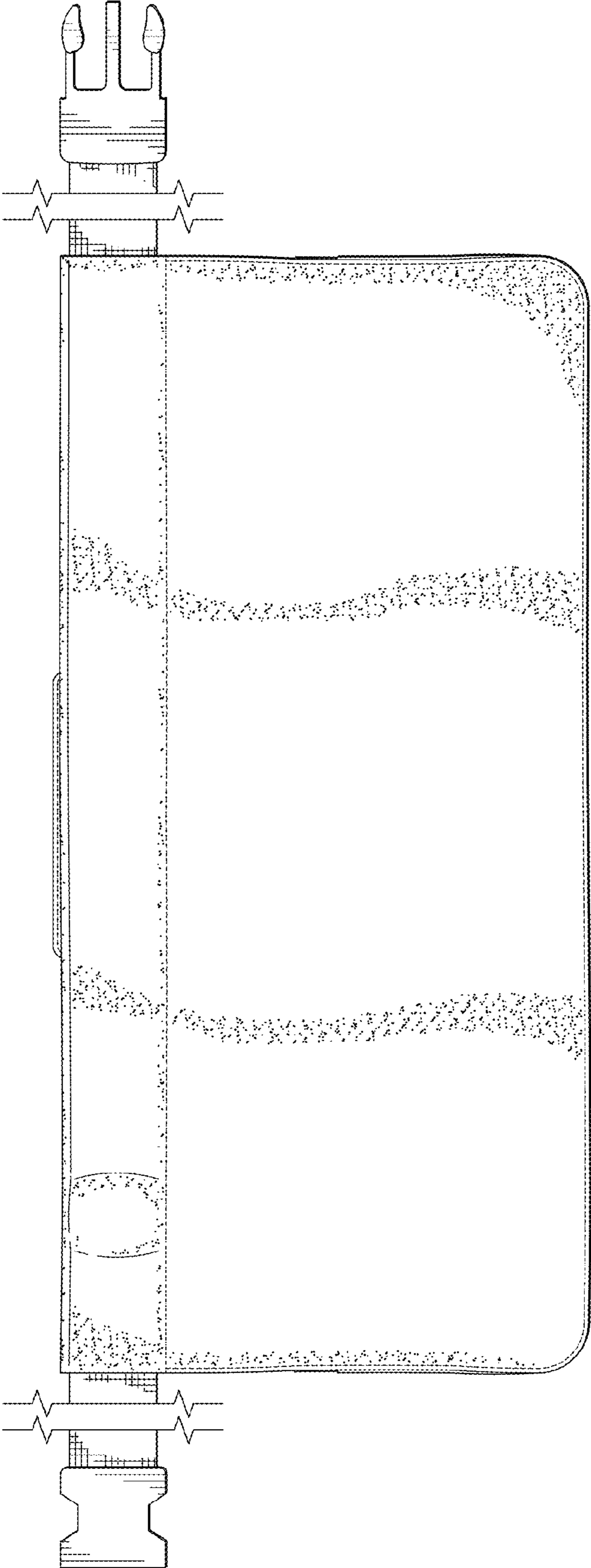


FIG. 3

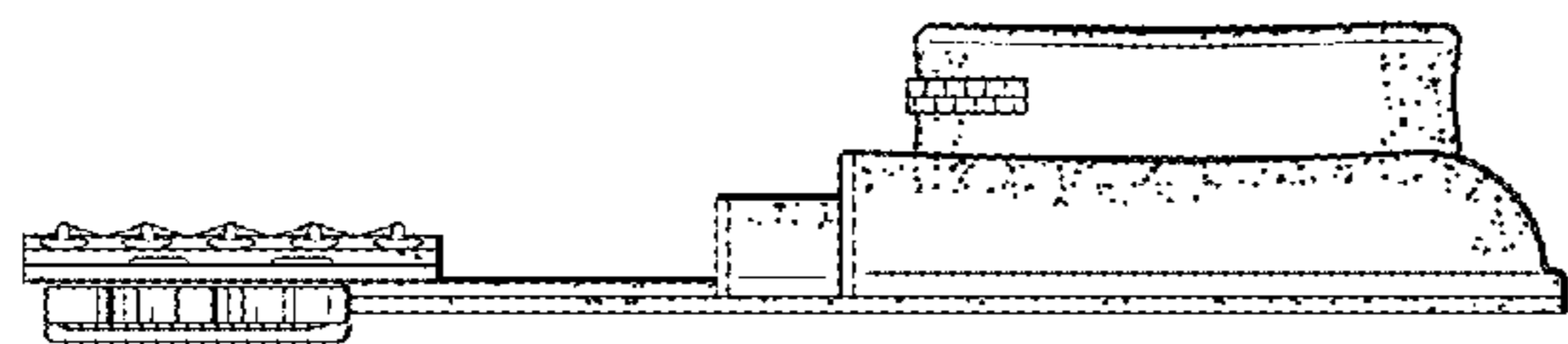


FIG. 4

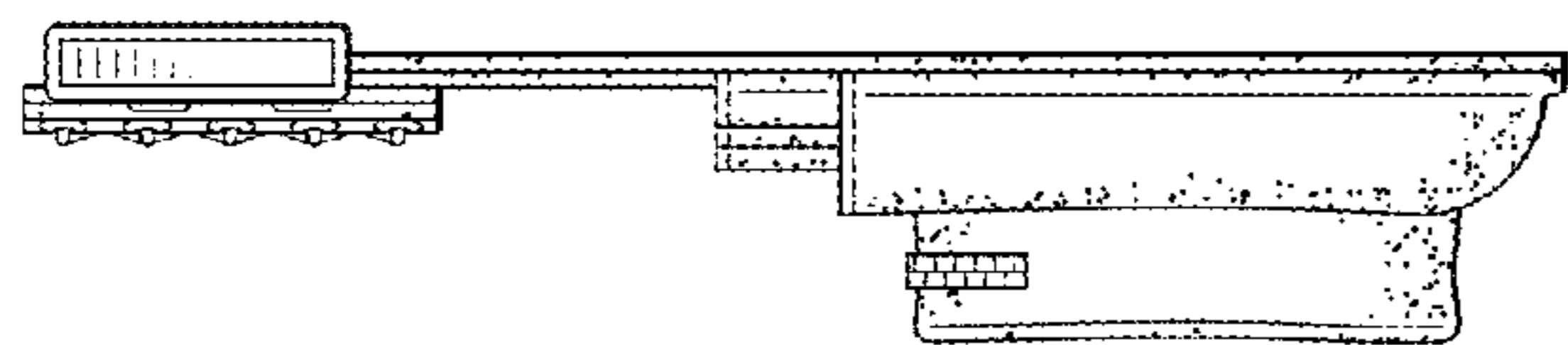


FIG. 5

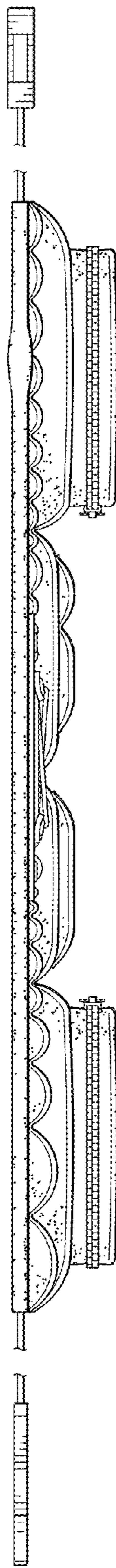


FIG. 6

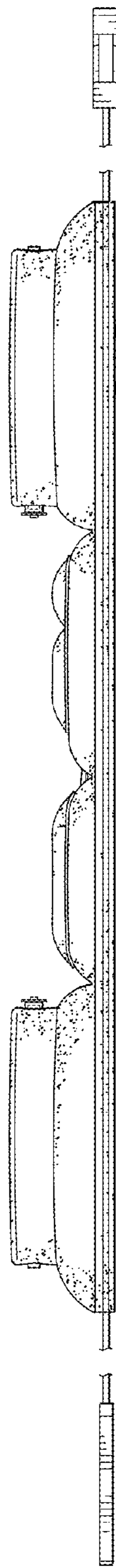


FIG. 7

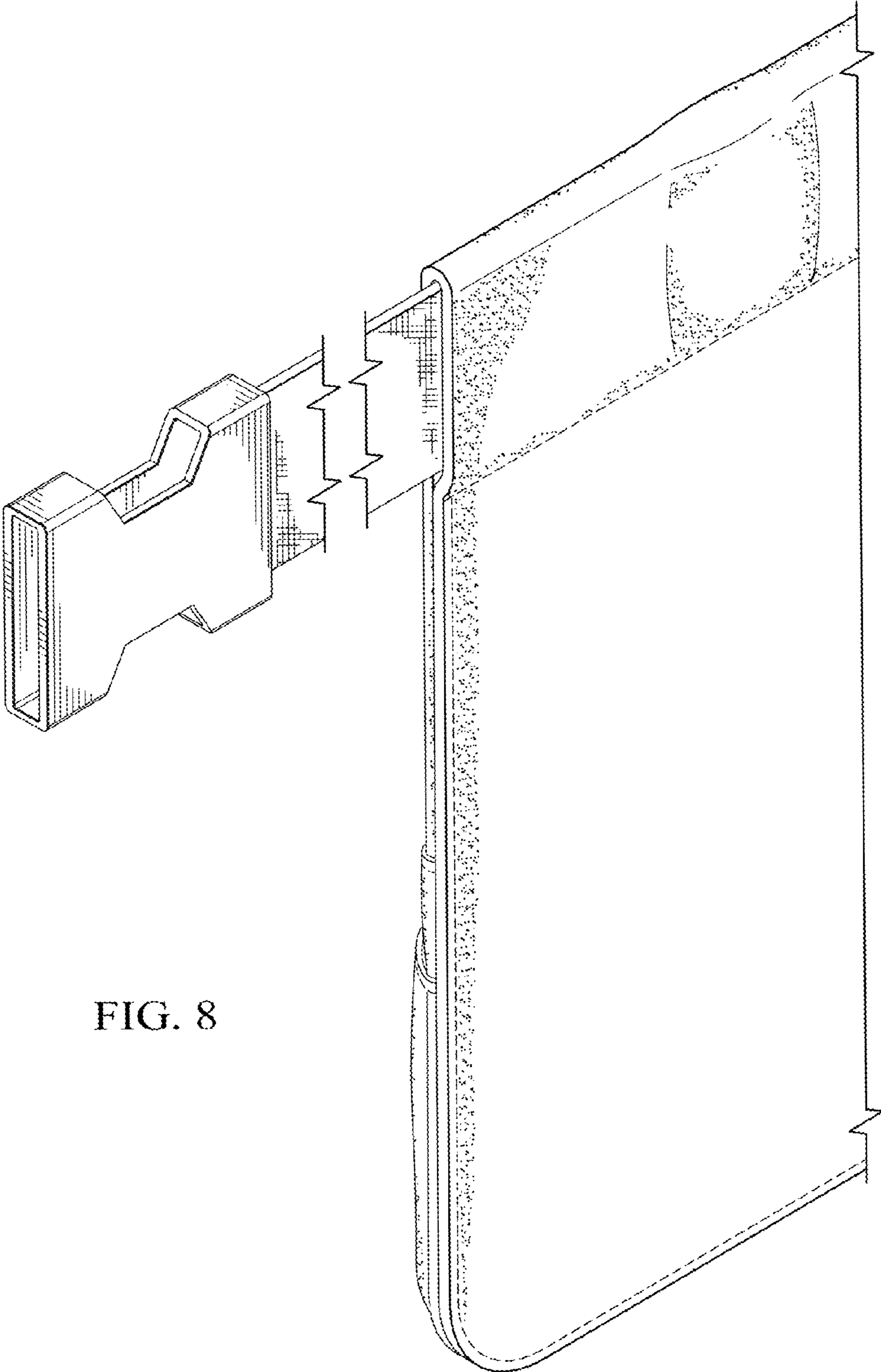


FIG. 8

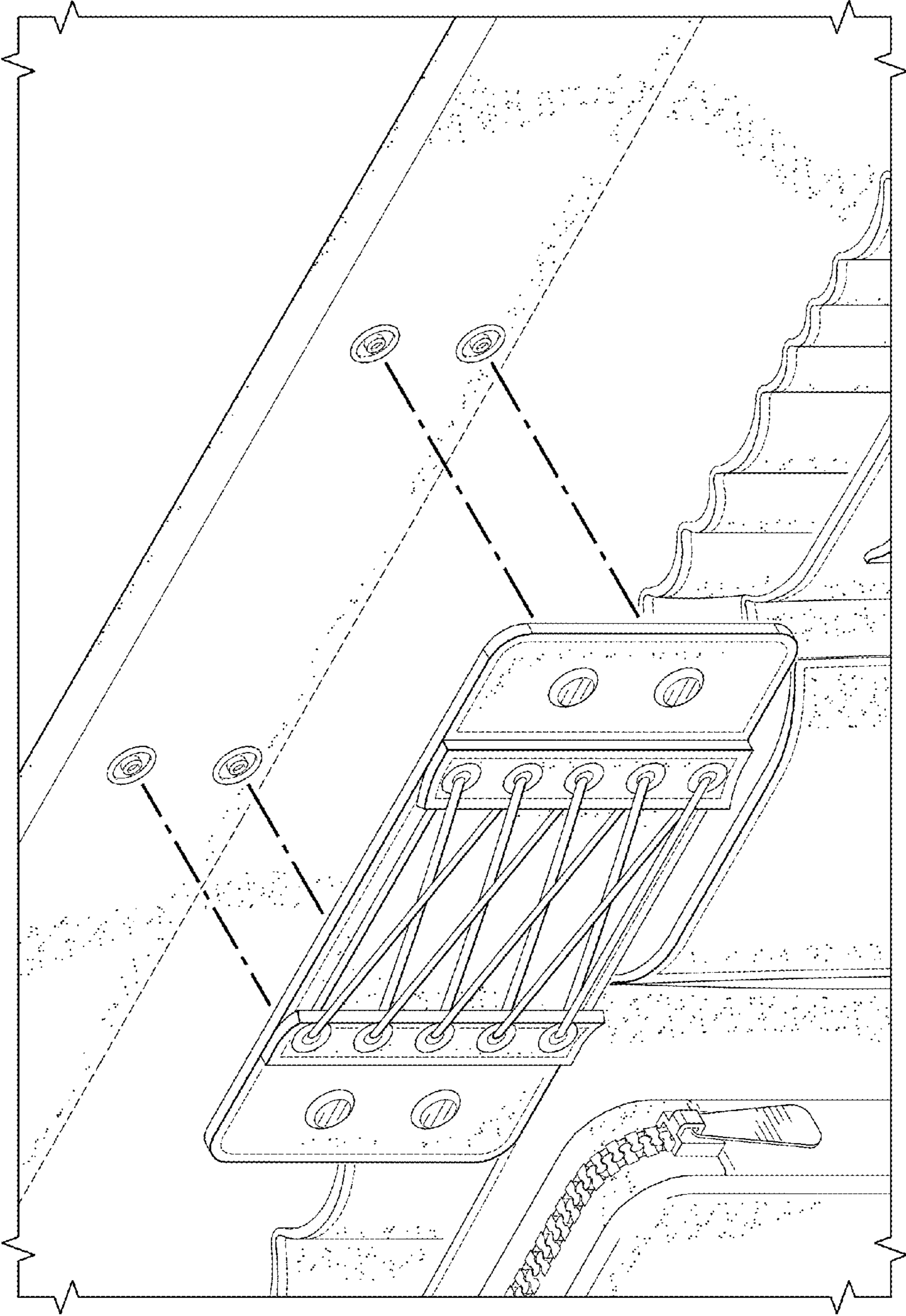


FIG. 9