



US00D694501S

(12) **United States Design Patent**
Miner

(10) **Patent No.:** **US D694,501 S**

(45) **Date of Patent:** **** Dec. 3, 2013**

(54) **SHOE OUTSOLE**

(71) Applicant: **NIKE, Inc.**, Beaverton, OR (US)

(72) Inventor: **Mark C. Miner**, Portland, OR (US)

(73) Assignee: **NIKE, Inc.**, Beaverton, OR (US)

(**) Term: **14 Years**

(21) Appl. No.: **29/465,573**

(22) Filed: **Aug. 29, 2013**

(51) **LOC (9) Cl.** **02-04**

(52) **U.S. Cl.**
USPC **D2/957**; D2/951

(58) **Field of Classification Search**
USPC D2/902, 906, 908, 916, 918, 925,
D2/946-962, 977; 36/3 B, 22 R, 24.5, 25 R,
36/28, 32 R, 34 R, 59 C, 67 A, 103
See application file for complete search history.

(56) **References Cited**

U.S. PATENT DOCUMENTS

4,918,838	A *	4/1990	Chang	36/28
5,255,451	A *	10/1993	Tong et al.	36/30 A
D377,711	S	2/1997	Hawker	
D378,241	S	3/1997	Featherston	
D389,295	S	1/1998	Kelchak	
D400,696	S	11/1998	Covatch	
D415,610	S	10/1999	Cahill	
D454,426	S	3/2002	Wilson	
6,574,886	B1 *	6/2003	Issler	36/12
D478,715	S	8/2003	Burt	
6,802,138	B2 *	10/2004	McManus et al.	36/28
D511,613	S	11/2005	Kim	
D512,557	S *	12/2005	Lane et al.	D2/969
D513,112	S *	12/2005	Le	D2/957
D547,541	S *	7/2007	Schindler et al.	D2/977
D557,883	S *	12/2007	McClaskie	D2/952

D578,280	S	10/2008	Wilken	
7,536,808	B2 *	5/2009	Myers et al.	36/3 B
D595,037	S *	6/2009	Mayden	D2/959
D644,421	S *	9/2011	Raysse	D2/951
D677,451	S *	3/2013	Amphyon	D2/947
D683,119	S	5/2013	Shyllon	
2007/0033832	A1 *	2/2007	Marvin et al.	36/29
2009/0044428	A1 *	2/2009	Bernardeschi	36/103
2010/0170106	A1 *	7/2010	Brewer et al.	36/28
2011/0179676	A1 *	7/2011	Baker et al.	36/25 R
2013/0232826	A1 *	9/2013	Bier et al.	36/3 B

OTHER PUBLICATIONS

Nike Footwear Catalog, 1999 Holiday: Men's and Women's Footwear, p. M58, published Mar. 1999, NIKE, Inc., USA.
Nike Footwear Catalog, 2001 Spring: Men's and Women's Footwear (white shoes), p. 63, published Jun. 2000, NIKE, Inc., USA.

(Continued)

Primary Examiner — T. Chase Nelson
(74) *Attorney, Agent, or Firm* — Banner & Witcoff, Ltd.

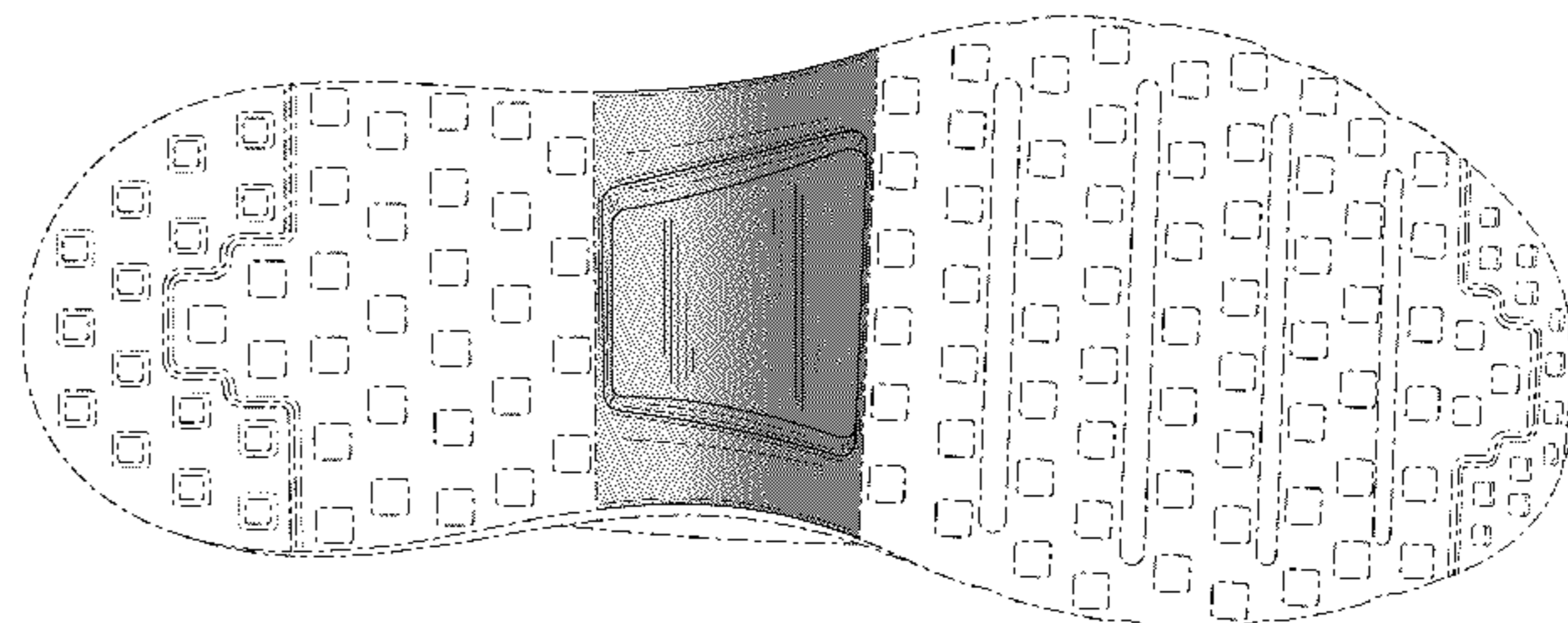
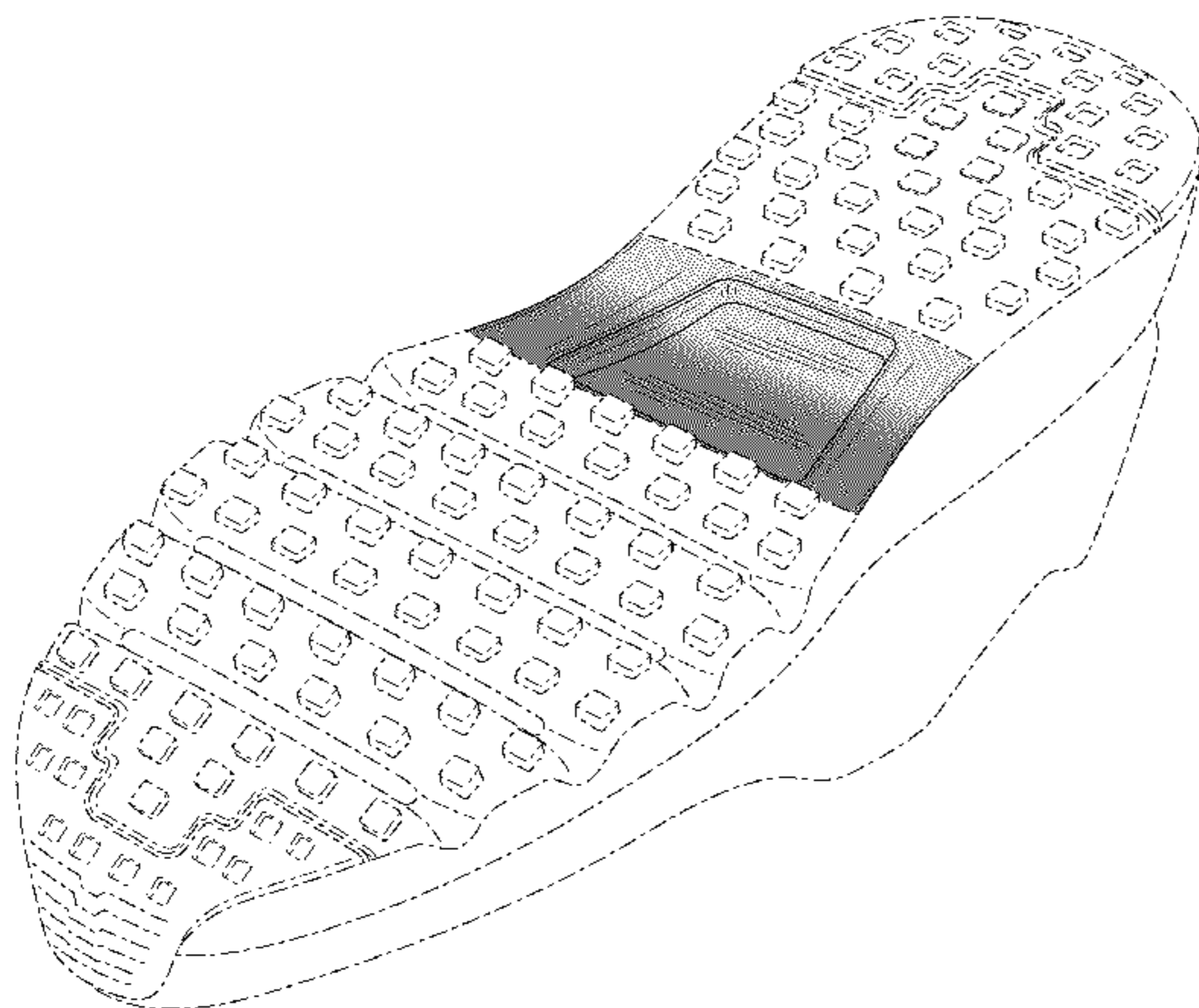
(57) **CLAIM**

The ornamental design for a shoe outsole, as shown and described.

DESCRIPTION

FIG. 1 is a front perspective view of a shoe outsole showing my new design, wherein greyscale shading depicts a contrast of appearance;
FIG. 2 is a plan view thereof; and,
FIG. 3 is a rear perspective view thereof.
The greyscale shading in FIGS. 1-3 represents color contrast. The broken lines immediately adjacent to the shaded areas in FIGS. 1-3 represent unclaimed boundaries of the design. The broken lines showing the remainder of the shoe in FIGS. 1-3 are for environmental purposes only and form no part of the claimed design.

1 Claim, 3 Drawing Sheets



(56)

References Cited

OTHER PUBLICATIONS

Nike Footwear Catalog, 2002 Late Spring: Men's and Women's Footwear, p. 36, published Sep. 2001, NIKE, Inc., USA.

Nike Footwear Catalog, 2003 Fall: Men's and Women's Footwear, p. 115, published Nov. 2002, NIKE, Inc., USA.

Nike Footwear Catalog, 2004 Fall: Men's, Women's, and Kids' Footwear, p. 7, published Nov. 2003, NIKE, Inc., USA.

Nike Footwear Catalog, 2008 Spring Footwear, p. 131, published May 2007, NIKE, Inc., USA.

Nike Footwear Catalog, 2010 Holiday: Women's Footwear: Performance, p. 27, published Feb. 2010, NIKE, Inc., USA.

Nike Footwear Catalog, 2013 Spring: Mens Performance Footwear, p. 6, published May 2012, NIKE, Inc., USA.

Nike Footwear Catalog, 2013 Holiday: City Specialty Footwear, p. 69, published Feb. 2013, NIKE, Inc., USA.

* cited by examiner

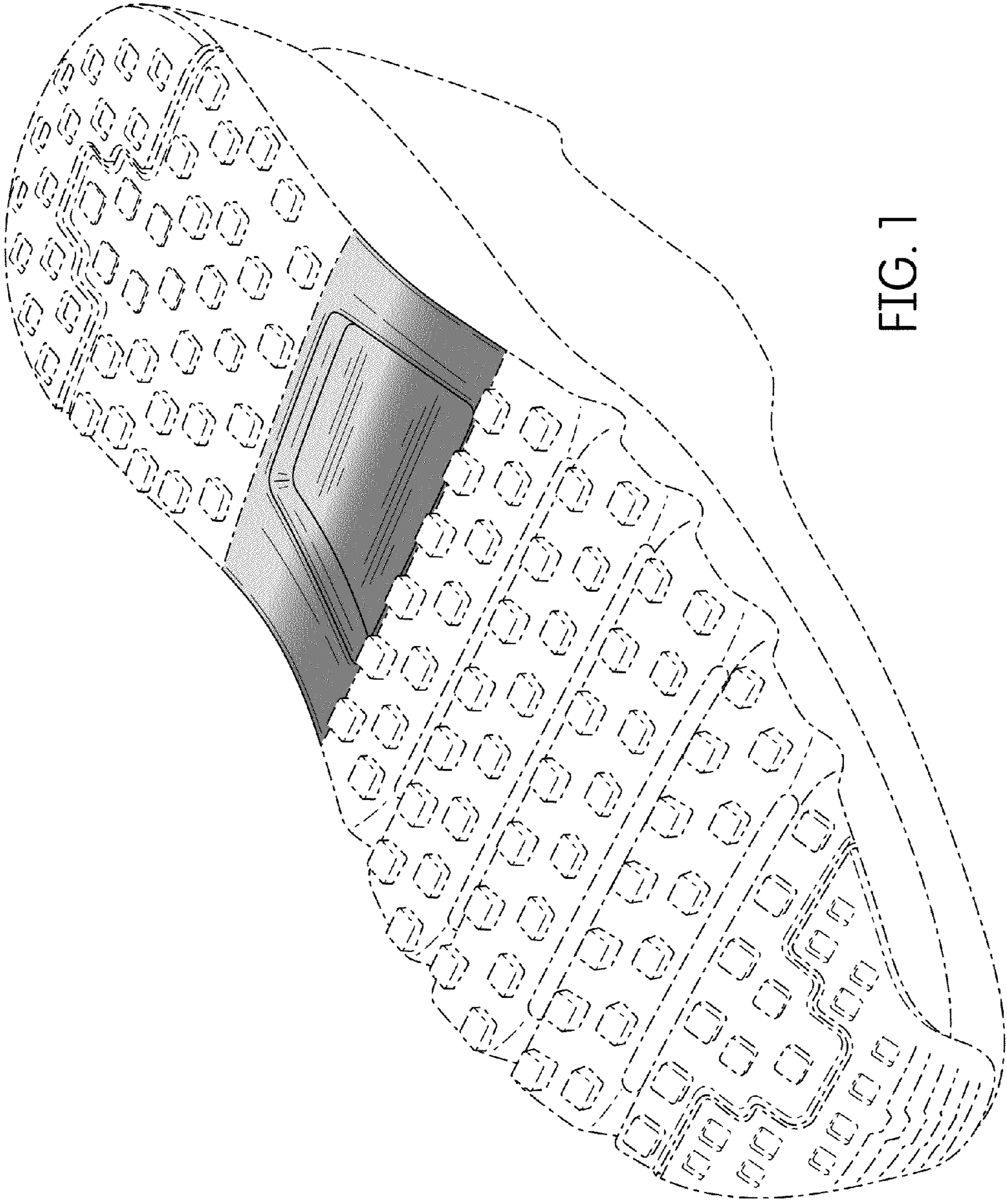


FIG. 1

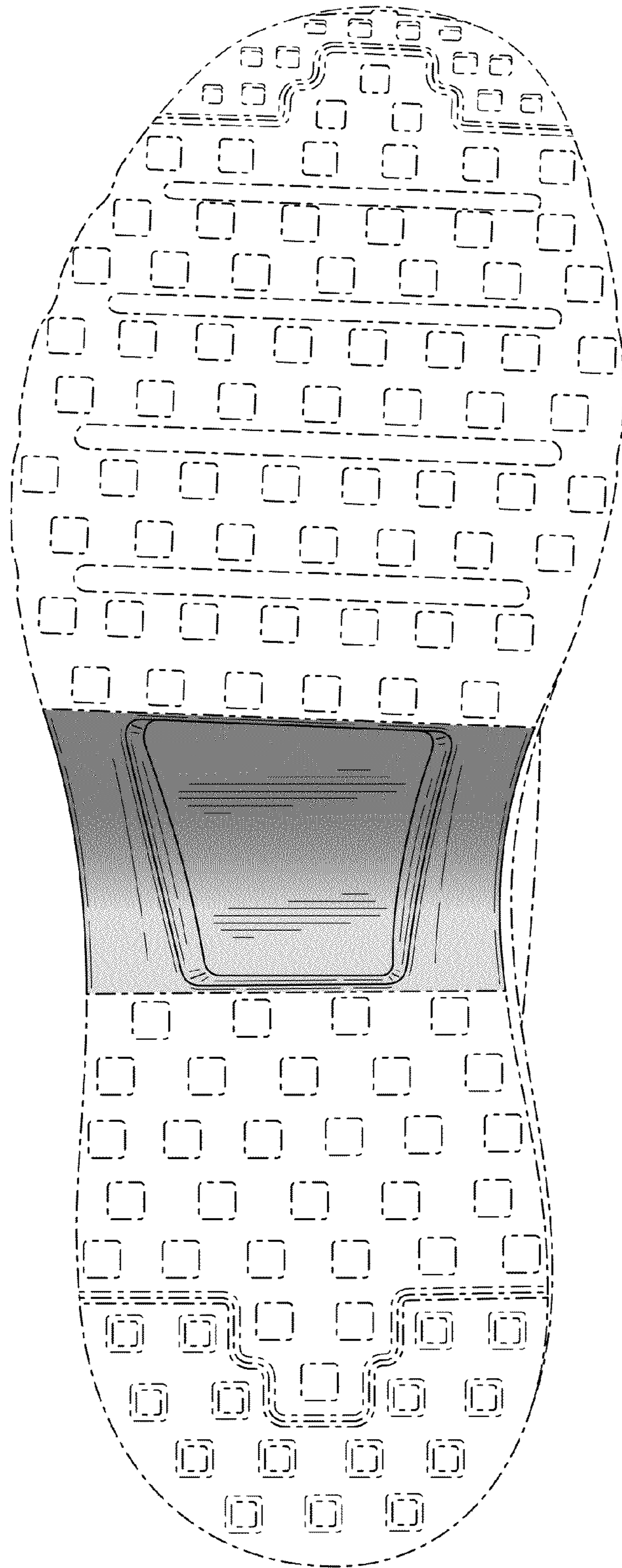


FIG. 2

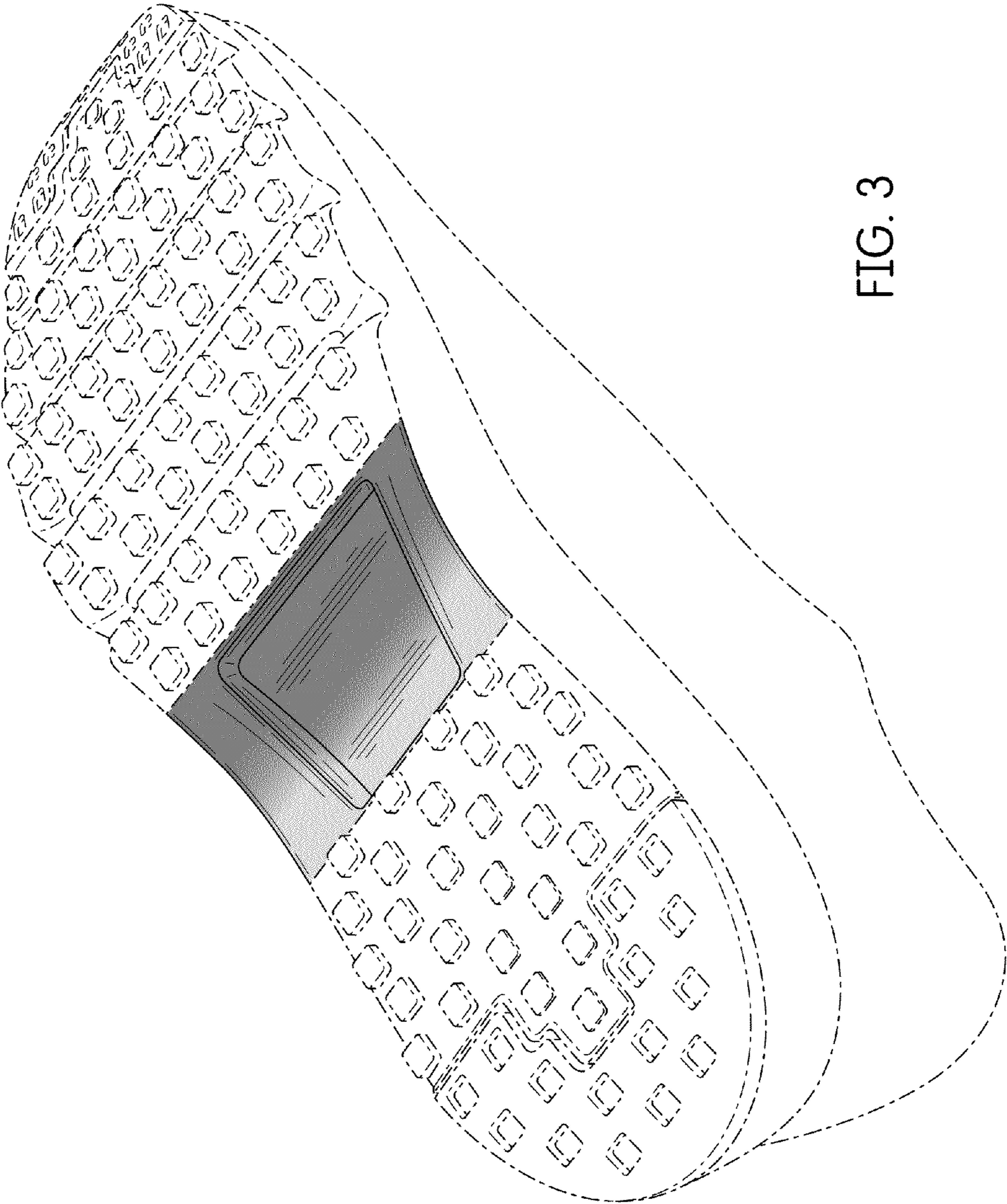


FIG. 3