



US00D694493S

(12) **United States Design Patent**
Presha et al.

(10) **Patent No.:** **US D694,493 S**

(45) **Date of Patent:** **** Dec. 3, 2013**

(54) **BASEBALL STYLE SPORTS CAP**

(76) Inventors: **Devon Lamar Presha**, Trenton, NJ
(US); **Karr Togar Andrews**, Trenton, NJ
(US)

(**) Term: **14 Years**

(21) Appl. No.: **29/430,795**

(22) Filed: **Aug. 30, 2012**

(51) **LOC (9) Cl.** **02-03**

(52) **U.S. Cl.**
USPC **D2/882**

(58) **Field of Classification Search**
USPC D2/865, 866, 878, 879, 880, 881, 882,
D2/883, 884, 886, 891, 892, 893, 894,
D2/895; 2/10, 12, 68, 171, 175.1, 175.2,
2/175.3, 183, 195.1, 195.2, 195.3, 195.4,
2/195.5, 195.6, 200.1, 200.2, 209.11,
2/209.12, 209.13

See application file for complete search history.

(56) **References Cited**

U.S. PATENT DOCUMENTS

5,799,334	A	9/1998	Griffith et al.	
5,887,276	A *	3/1999	Lee	2/7
D414,592	S *	10/1999	McConnell	D2/876
6,049,911	A	4/2000	Bromberg	
6,240,566	B1	6/2001	Scantlin	
6,336,224	B1	1/2002	Wang	
6,446,266	B1	9/2002	Park	
D482,849	S	12/2003	Mansell et al.	
D503,261	S *	3/2005	Pedersen	D2/882
D517,283	S *	3/2006	Shin et al.	D2/865
7,024,702	B2	4/2006	Kronenberger	
7,120,937	B2 *	10/2006	Monshouwer	2/171
D541,508	S *	5/2007	Day	D2/866
D582,634	S *	12/2008	Lagassey	D2/866
D584,031	S *	1/2009	Grandfield	D2/882
7,676,851	B2 *	3/2010	Koh	2/246

7,882,572	B2 *	2/2011	Wong	2/181
D634,518	S	3/2011	Pike	
D635,336	S *	4/2011	Alger	D2/866
8,418,266	B1 *	4/2013	Pike	2/209.13
2007/0056078	A1 *	3/2007	Tseng	2/171
2008/0092272	A1 *	4/2008	Vainio et al.	2/209.7
2008/0201825	A1	8/2008	Chun	

FOREIGN PATENT DOCUMENTS

GB 2039815 * 10/1994

* cited by examiner

Primary Examiner — Karen E Eldridge Powers

(74) *Attorney, Agent, or Firm* — Arthur L. Lessler

(57) **CLAIM**

The ornamental design for a baseball-style sports cap, as shown and described.

DESCRIPTION

FIG. 1 is an isometric view of a cap according to the invention, showing the left side and half of the front; the right side and the other half of the front being a mirror image thereof.

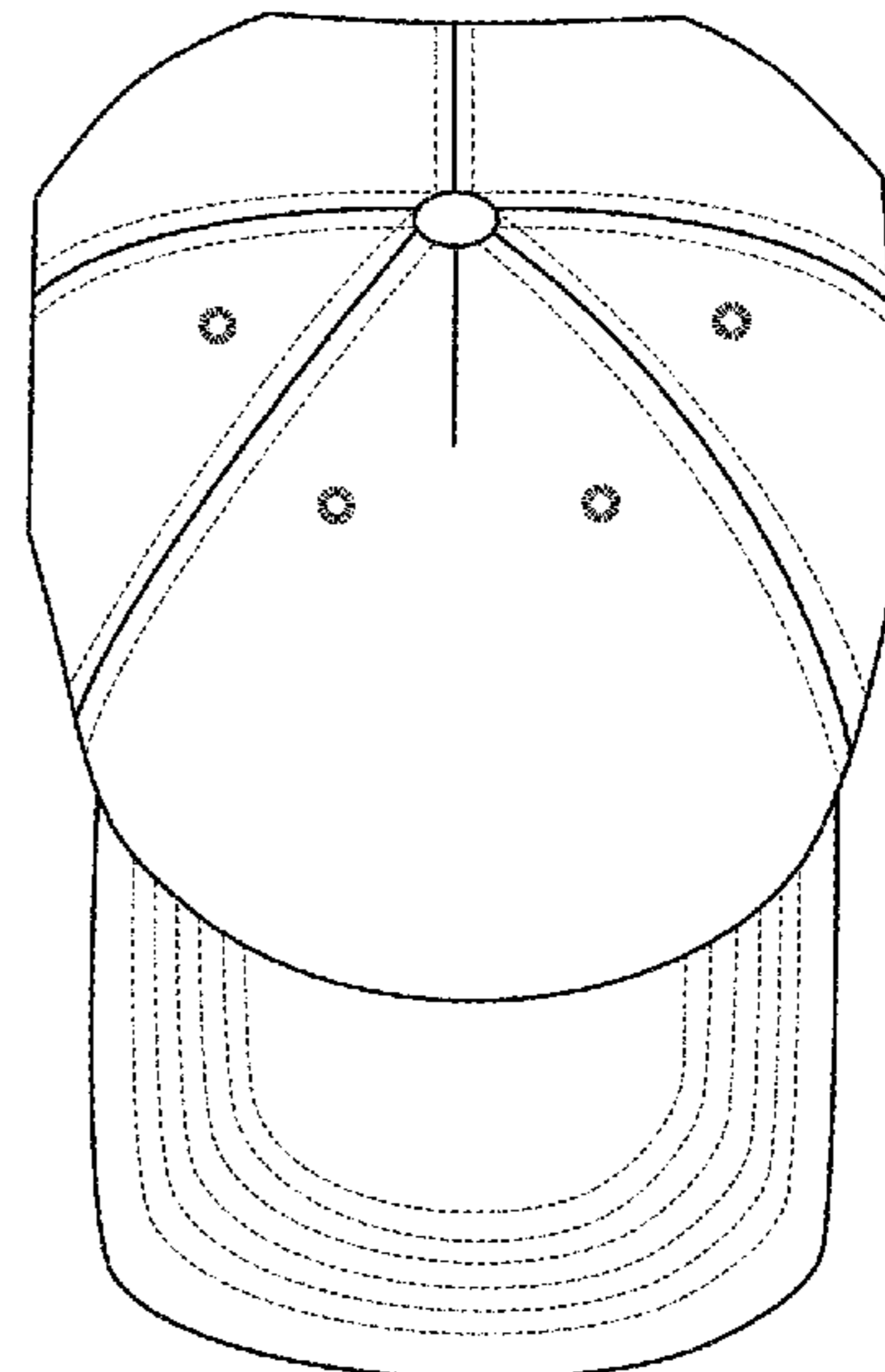
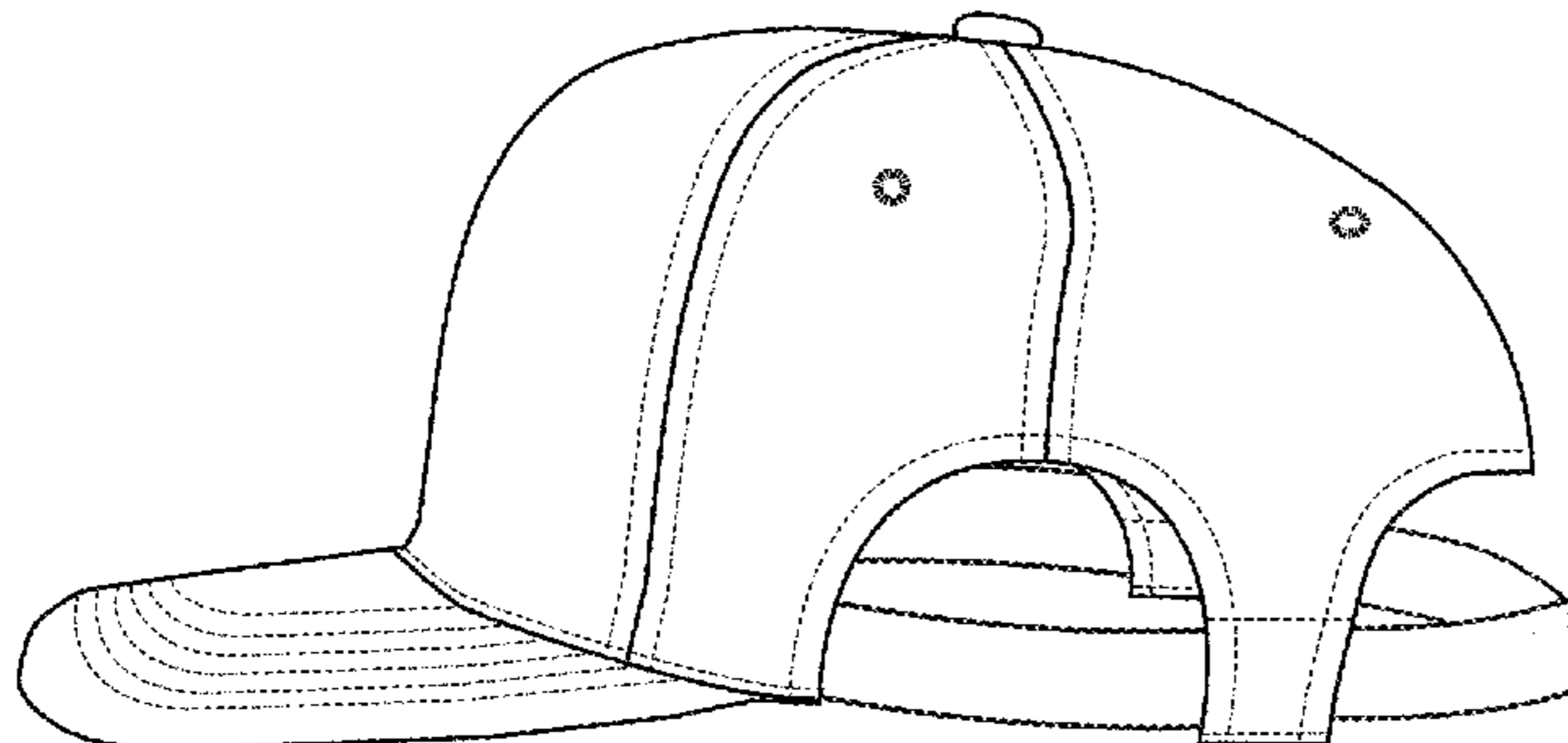
FIG. 2 is a rear elevation view of the cap shown in FIG. 1.

FIG. 3 is a top plan view of the cap shown in FIGS. 1 and 2; and,

FIG. 4 shows the cap of FIGS. 1 to 3, as it may be worn. The broken line showing of FIG. 4 is for the purpose of illustrating the manner in which the cap may be worn and forms no part of the claimed design.

The six broken lines that occur on the bill, the two broken lines that flank either side of the gore seams, the broken line that runs along the base of the crown (where it joins to the visor) and along the edge of the crown openings, and the two broken lines that span the segments of the crown that occur between the crown openings represent stitching, which forms part of the claimed design.

1 Claim, 3 Drawing Sheets



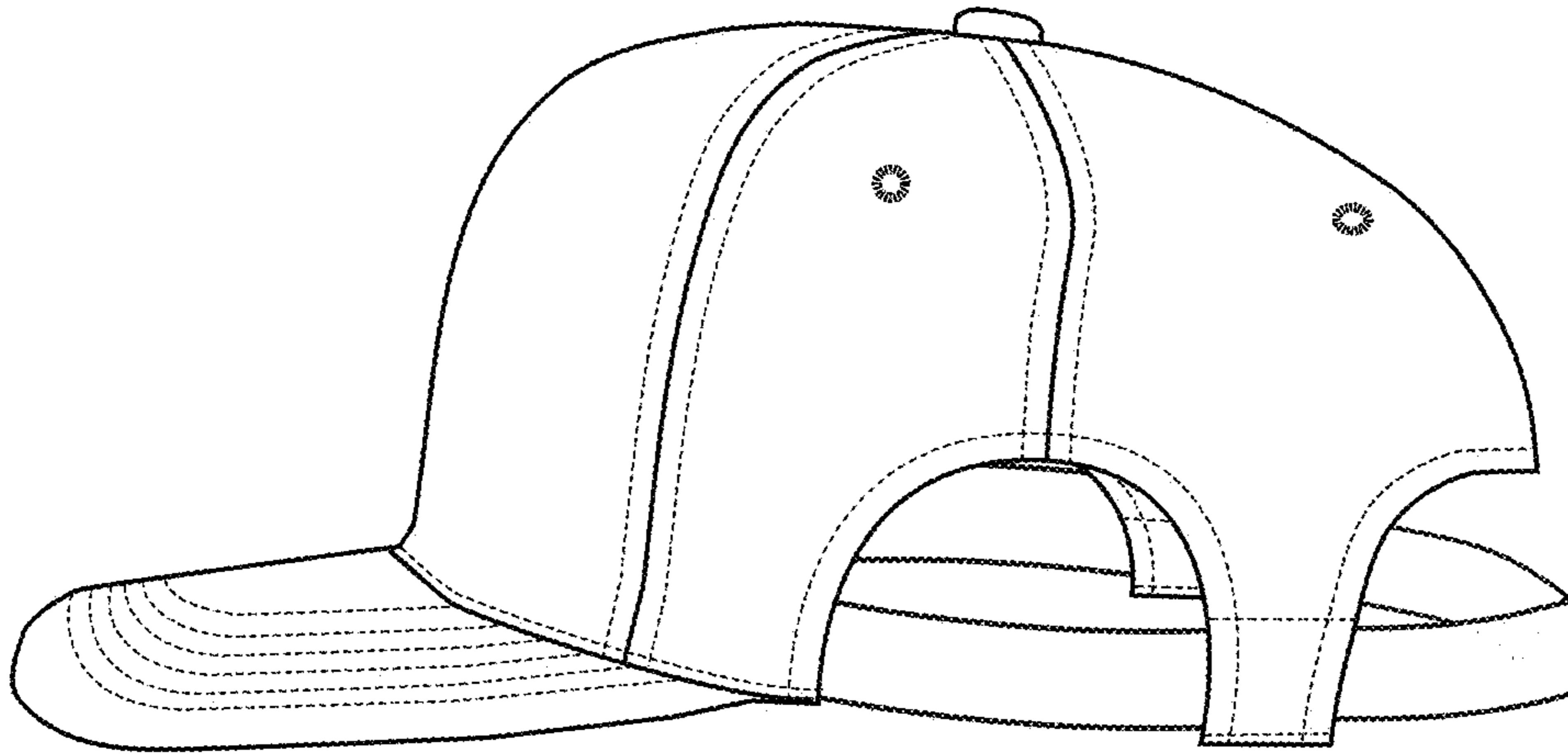


FIG. 1

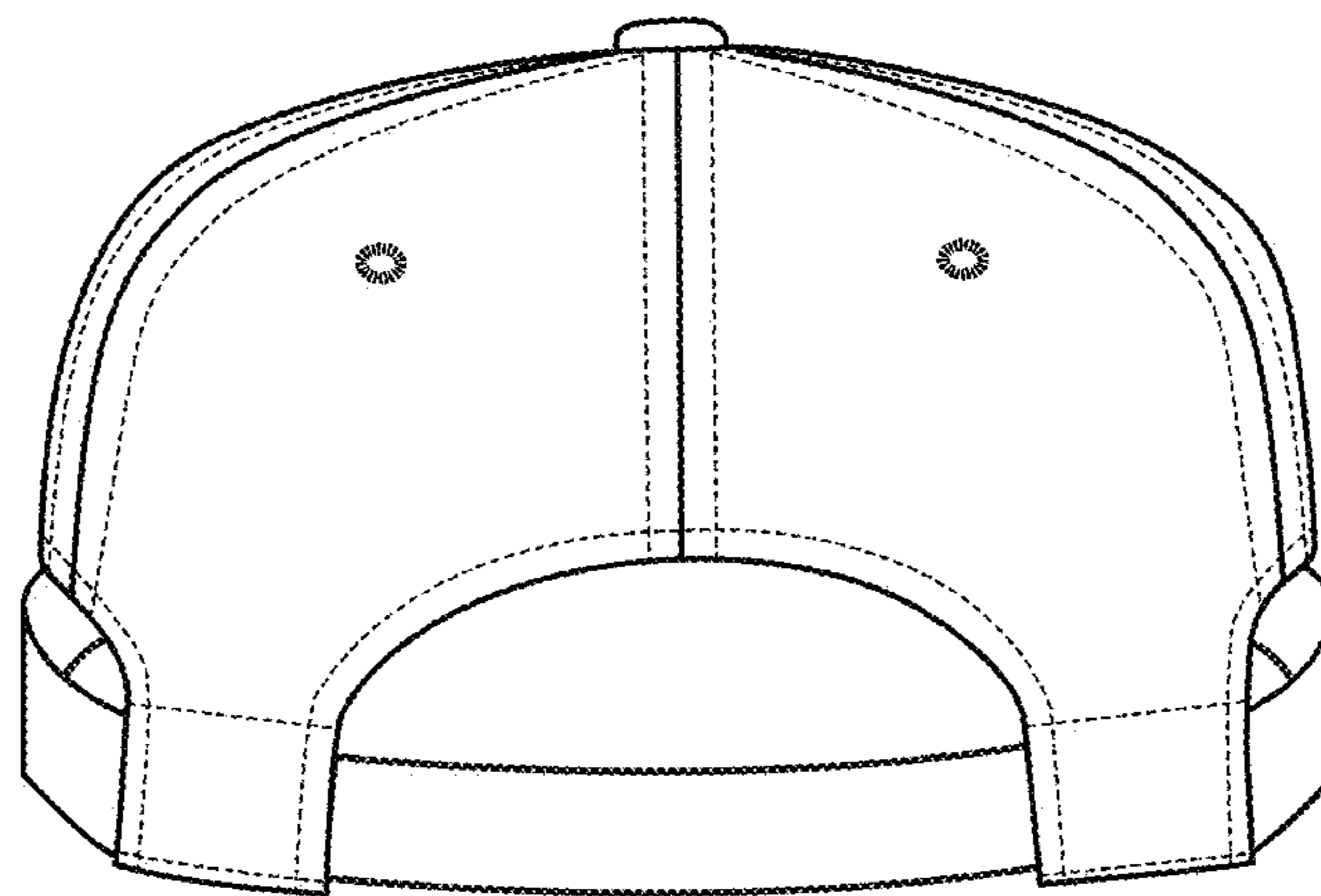


FIG. 2

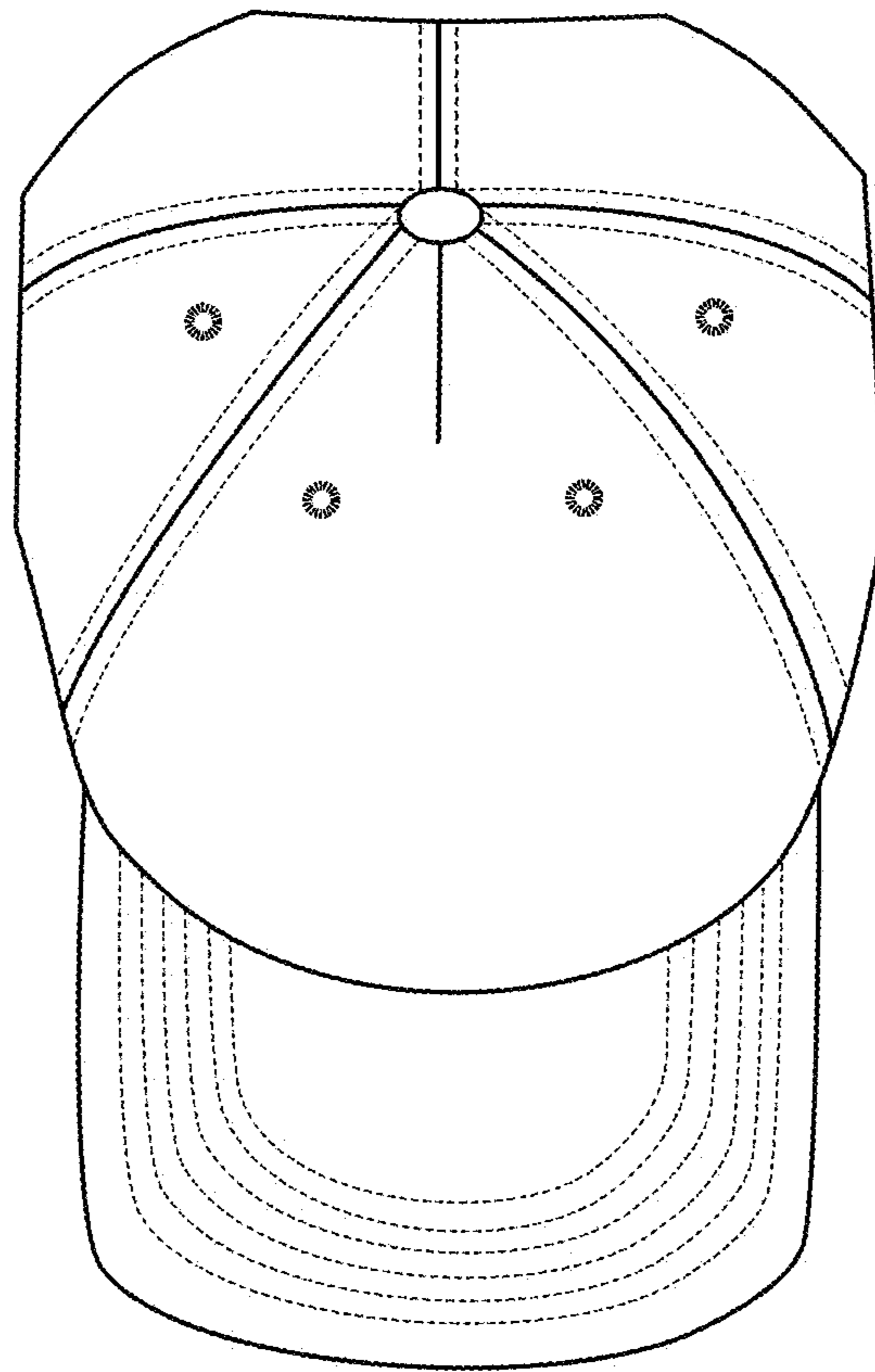


FIG. 3



FIG. 4