

US00D694486S

(12) **United States Design Patent**
Jani et al.

(10) **Patent No.:** **US D694,486 S**

(45) **Date of Patent:** **** *Dec. 3, 2013**

(54) **CONFECTIONARY**

(75) Inventors: **Bharat Jani**, East Brunswick, NJ (US);
Cesar C. Elejalde, Randolph, NJ (US);
Colleen Kramer, Denville, NJ (US);
Simone O’Neill, Wayne, NJ (US); **Aditi**
Shetty, Morris Plains, NJ (US); **Devang**
Sutaria, Landing, NJ (US)

(73) Assignee: **Kraft Foods Global Brands LLC**,
Northfield, IL (US)

(*) Notice: This patent is subject to a terminal disclaimer.

(**) Term: **14 Years**

(21) Appl. No.: **29/413,452**

(22) Filed: **Feb. 15, 2012**

Related U.S. Application Data

(63) Continuation of application No. 29/399,657, filed on Aug. 17, 2011.

(51) **LOC (9) Cl.** **01-01**

(52) **U.S. Cl.**
USPC **D1/127**

(58) **Field of Classification Search**

USPC D1/100–199; D24/101, 102; 426/3, 5,
426/87, 89, 92, 103, 104, 129, 138, 144,
426/249, 660, 383, 512, 516, 808; 424/467;
D25/113, 119, 121–132; D21/499;
D5/55–58, 62

See application file for complete search history.

(56) **References Cited**

U.S. PATENT DOCUMENTS

692,323 A * 2/1902 Marine 426/249
D42,162 S 2/1912 Boeckel

1,429,405 A	9/1922	Carter et al.	
1,771,981 A *	7/1930	Mustin	426/5
1,771,982 A *	7/1930	Mustin	426/5
1,855,145 A *	4/1932	Bartlett	426/87
1,886,763 A *	11/1932	Trettin	426/68
2,027,596 A	5/1933	Kurz	
2,039,398 A *	5/1936	Dye	52/847
2,060,490 A *	11/1936	Borbely	426/92
2,213,687 A *	9/1940	Brassert	52/232
D137,202 S *	2/1944	Scott	D28/8.1
2,613,185 A *	10/1952	Marshall	510/146
2,685,517 A *	8/1954	Dunmire	426/72
D202,920 S *	11/1965	Muesing	D6/518
3,549,389 A *	12/1970	Peterson	426/127
D223,759 S	6/1972	File et al.	
4,083,155 A *	4/1978	Lampert	52/93.1
4,260,635 A *	4/1981	Fisher	426/3

(Continued)

Primary Examiner — Barbara Fox

(74) *Attorney, Agent, or Firm* — Cantor Colburn LLP

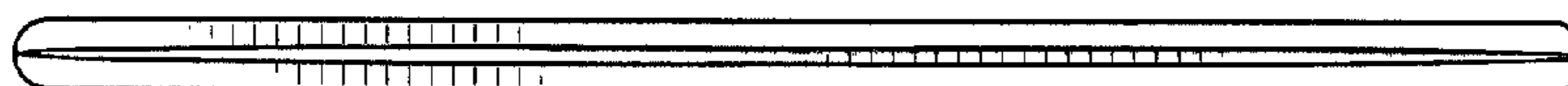
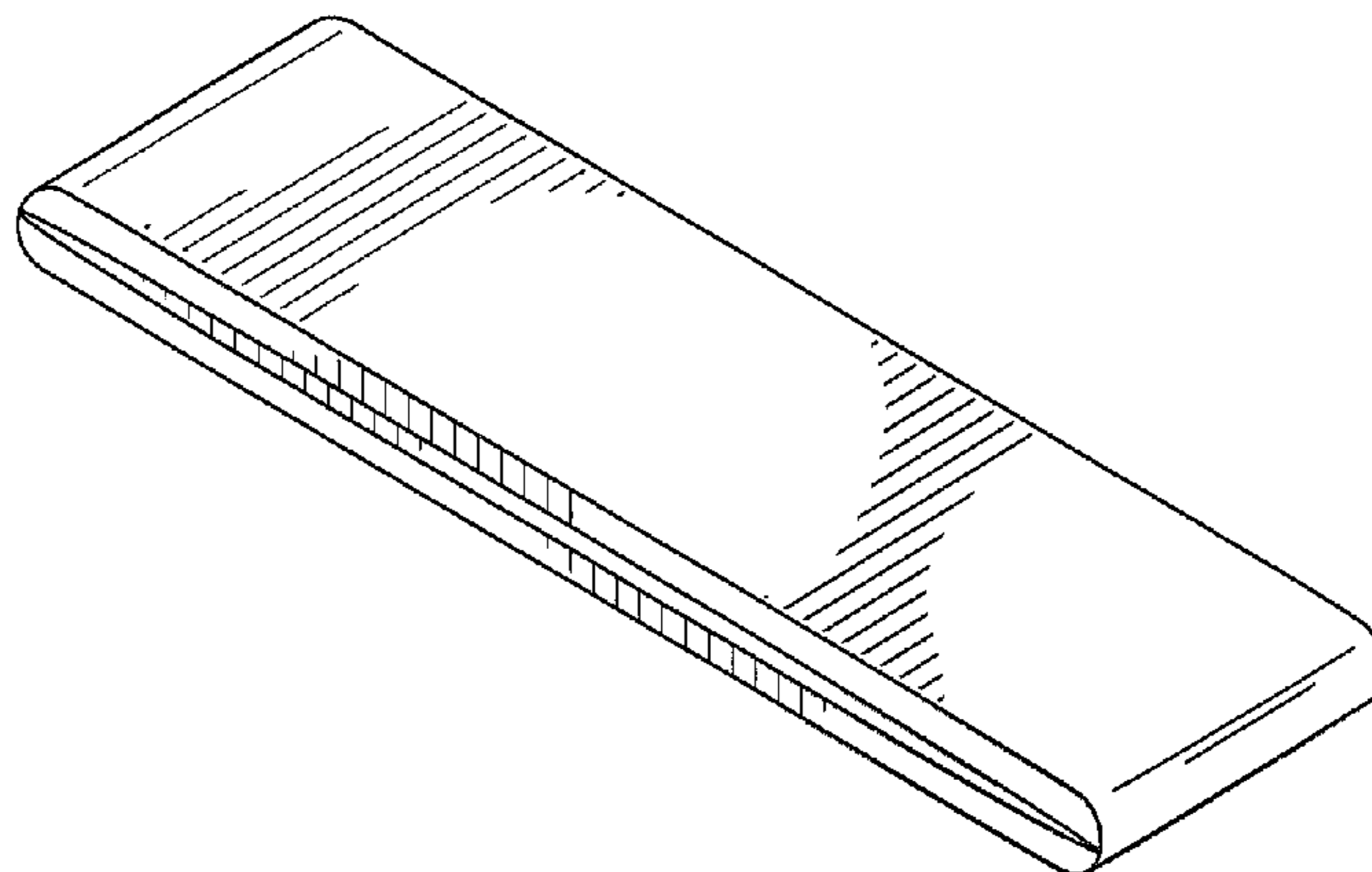
(57) **CLAIM**

We claim, the ornamental design for a confectionary, as shown and described.

DESCRIPTION

FIG. 1 is a perspective view of a confectionary, showing our new design in another exemplary embodiment;
FIG. 2 is a side elevation view of the embodiment shown in FIG. 1, the opposite side view being a mirror image thereof;
FIG. 3 is a top plan view of the embodiment shown in FIG. 1, the bottom view being a mirror image thereof; and,
FIG. 4 is a front elevation view of the embodiment shown in FIG. 1, the back view being a mirror image thereof.
References to “side,” “top,” “bottom,” “front,” and “back” in the Figure Descriptions are not necessarily meant to require any specific orientation of the article as viewed. A confectionary according to the claimed design may be used in any orientation.

1 Claim, 1 Drawing Sheet



(56)

References Cited

U.S. PATENT DOCUMENTS

D271,439	S *	11/1983	Schumacher	D1/127
D271,534	S *	11/1983	Huzinec	D1/127
4,455,321	A *	6/1984	Glabe et al.	426/549
4,751,096	A *	6/1988	Nada et al.	426/643
4,781,929	A *	11/1988	Hoashi	426/92
4,822,622	A *	4/1989	Dokuzovic et al.	426/5
4,889,729	A *	12/1989	Aujourd'hui	426/94
D315,437	S *	3/1991	Stein	D1/128
5,091,198	A *	2/1992	Hoashi	426/92
5,712,030	A *	1/1998	Goto et al.	428/332
5,834,044	A *	11/1998	Schmitz et al.	426/73
5,928,692	A *	7/1999	Mayfield	426/89
D426,935	S *	6/2000	Zaug et al.	D1/199
D431,342	S *	10/2000	Wright et al.	D1/129
D433,083	S *	10/2000	Griffith	D21/707
D439,392	S *	3/2001	Kauffman et al.	D1/121
D462,458	S *	9/2002	Hughes et al.	D25/122
6,562,382	B1 *	5/2003	Corriveau et al.	426/5
D478,706	S	8/2003	Cotten	
D485,963	S *	2/2004	Norton	D1/127
D500,576	S *	1/2005	Kraus	D1/199
D500,908	S *	1/2005	Hare et al.	D1/199
D510,173	S	10/2005	Richey et al.	
D510,174	S	10/2005	Richey et al.	
D512,546	S	12/2005	Ibanez	
7,172,783	B2 *	2/2007	Murray et al.	426/582
D598,635	S *	8/2009	Geoffrion et al.	D1/127
D605,828	S *	12/2009	Brown et al.	D1/127
D607,180	S	1/2010	Slusarczyk et al.	
D607,181	S	1/2010	Slusarczyk et al.	
D616,177	S *	5/2010	Brown et al.	D1/127
D617,079	S *	6/2010	Brown et al.	D1/127
D641,947	S *	7/2011	Bruyeyea et al.	D1/127
D641,950	S *	7/2011	Bruyeyea et al.	D1/127
D641,953	S *	7/2011	Bruyeyea et al.	D1/127
D644,001	S *	8/2011	Bruyeyea et al.	D1/127
D647,276	S *	10/2011	Bruyeyea et al.	D1/127
D655,067	S *	3/2012	Bruyeyea et al.	D1/127
D655,068	S *	3/2012	Bruyeyea et al.	D1/127
2004/0247746	A1 *	12/2004	Pearce et al.	426/89
2006/0204451	A1 *	9/2006	Salini	424/48
2007/0014889	A1 *	1/2007	McHale et al.	426/5
2007/0231427	A1 *	10/2007	Ream	426/5
2009/0028998	A1 *	1/2009	Elejalde et al.	426/5
2009/0053390	A1 *	2/2009	Sakou et al.	426/660
2009/0148568	A1 *	6/2009	Kawamura et al.	426/89
2009/0214720	A1 *	8/2009	Almenares et al.	426/101
2011/0189376	A1 *	8/2011	Elejalde et al.	426/660
2012/0034346	A1 *	2/2012	Morgan	426/72

* cited by examiner

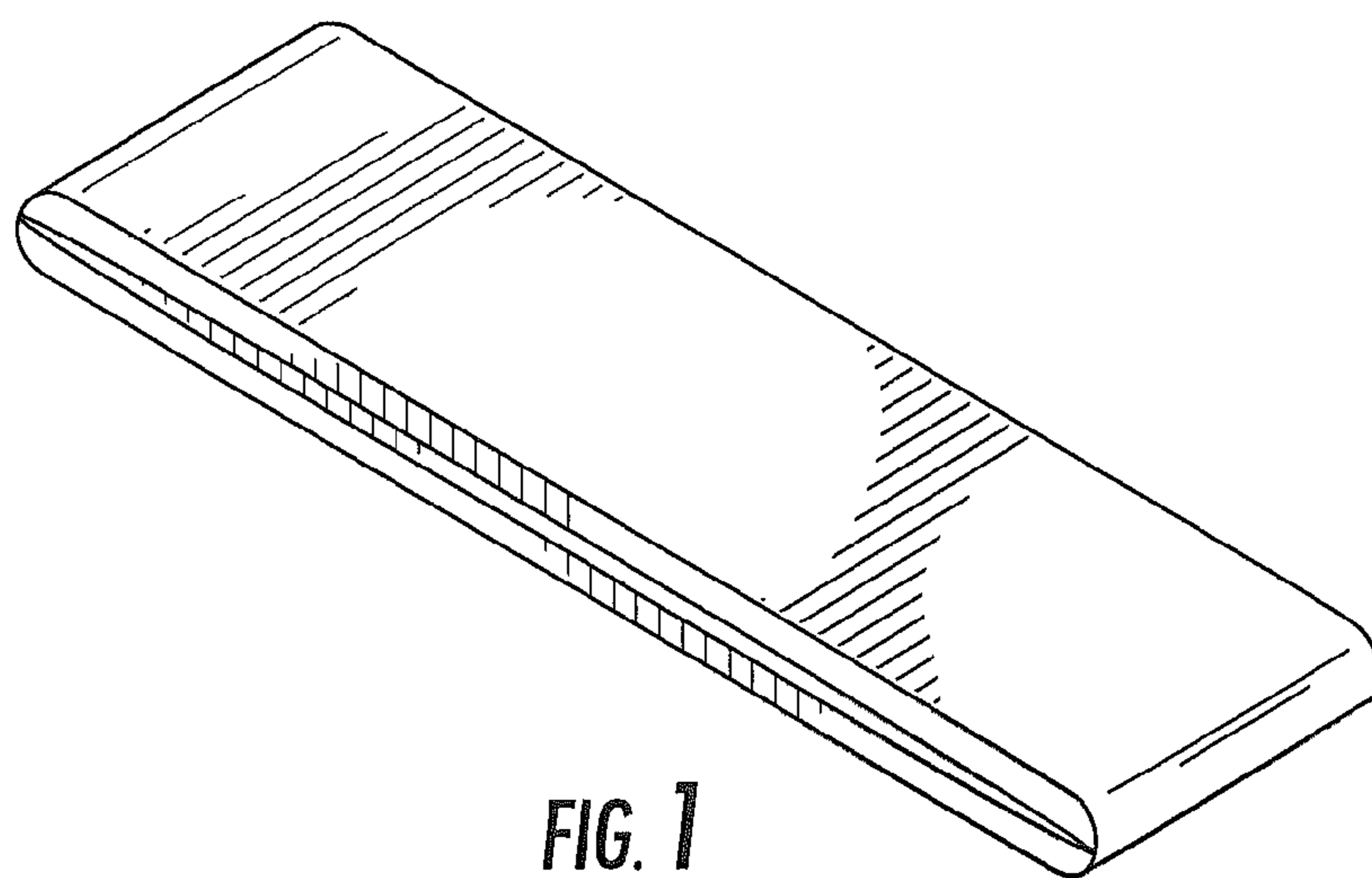


FIG. 1

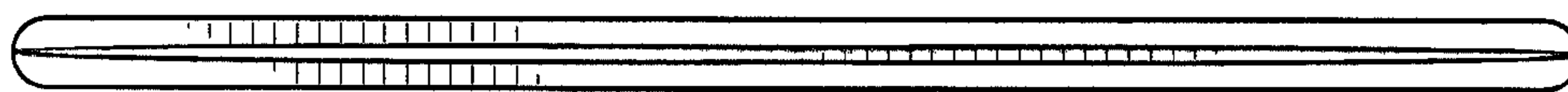


FIG. 2

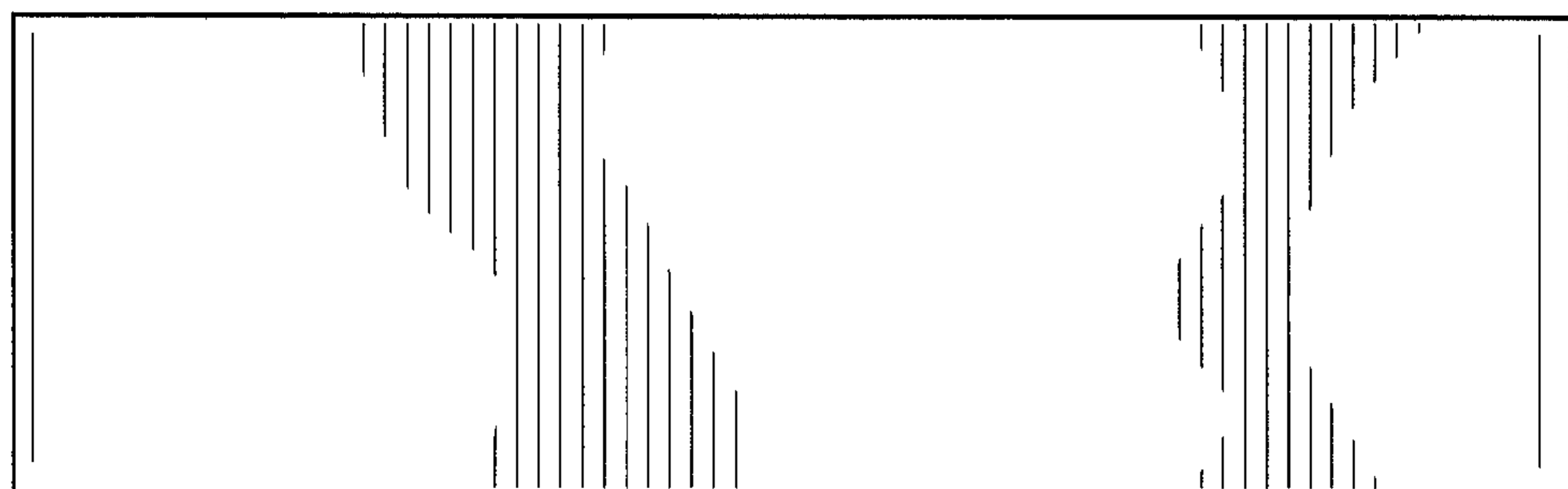


FIG. 3



FIG. 4