



US00D694485S

(12) **United States Design Patent**
Crosby

(10) **Patent No.:** **US D694,485 S**

(45) **Date of Patent:** **** *Nov. 26, 2013**

(54) **SAFE HANDLE**

(71) Applicant: **Ray Crosby**, Springville, UT (US)

(72) Inventor: **Ray Crosby**, Springville, UT (US)

(*) Notice: This patent is subject to a terminal disclaimer.

(**) Term: **14 Years**

(21) Appl. No.: **29/447,687**

(22) Filed: **Mar. 5, 2013**

(51) **LOC (9) Cl.** **99-00**

(52) **U.S. Cl.**
USPC **D99/43**

(58) **Field of Classification Search**
USPC D99/28, 34, 35, 36, 43, 99; D8/300,
D8/301, 303, 310, 311, 320, 330, 331,
D8/343; 70/278.7, 285, 278.1, 1.5, 213,
70/417, 422, 277, 311, 332; 109/1 R, 1 V,
109/2, 59 R, 39; 292/347

See application file for complete search history.

(56) **References Cited**

U.S. PATENT DOCUMENTS

1,104,765 A * 7/1914 Baloun 109/59 R
D75,842 S * 7/1928 Hanson et al. D99/43

1,693,048 A * 11/1928 Paca 109/63
D181,324 S * 10/1957 Strickland D99/43
2,918,883 A * 12/1959 Graber et al. 109/61
D354,836 S * 1/1995 Crosby D99/43
D493,270 S * 7/2004 Lynch et al. D99/43
D512,195 S * 11/2005 Gartner D99/43
D519,260 S * 4/2006 Valentine D99/43

* cited by examiner

Primary Examiner — Elizabeth J Oswecki

(74) *Attorney, Agent, or Firm* — Wright Law Group, PLLC;
Mark P. Wright

(57) **CLAIM**

The ornamental design for a safe handle, as shown and described.

DESCRIPTION

FIG. 1 is a perspective view of a safe handle showing my new design;

FIG. 2 is a front view thereof;

FIG. 3 is a back view thereof;

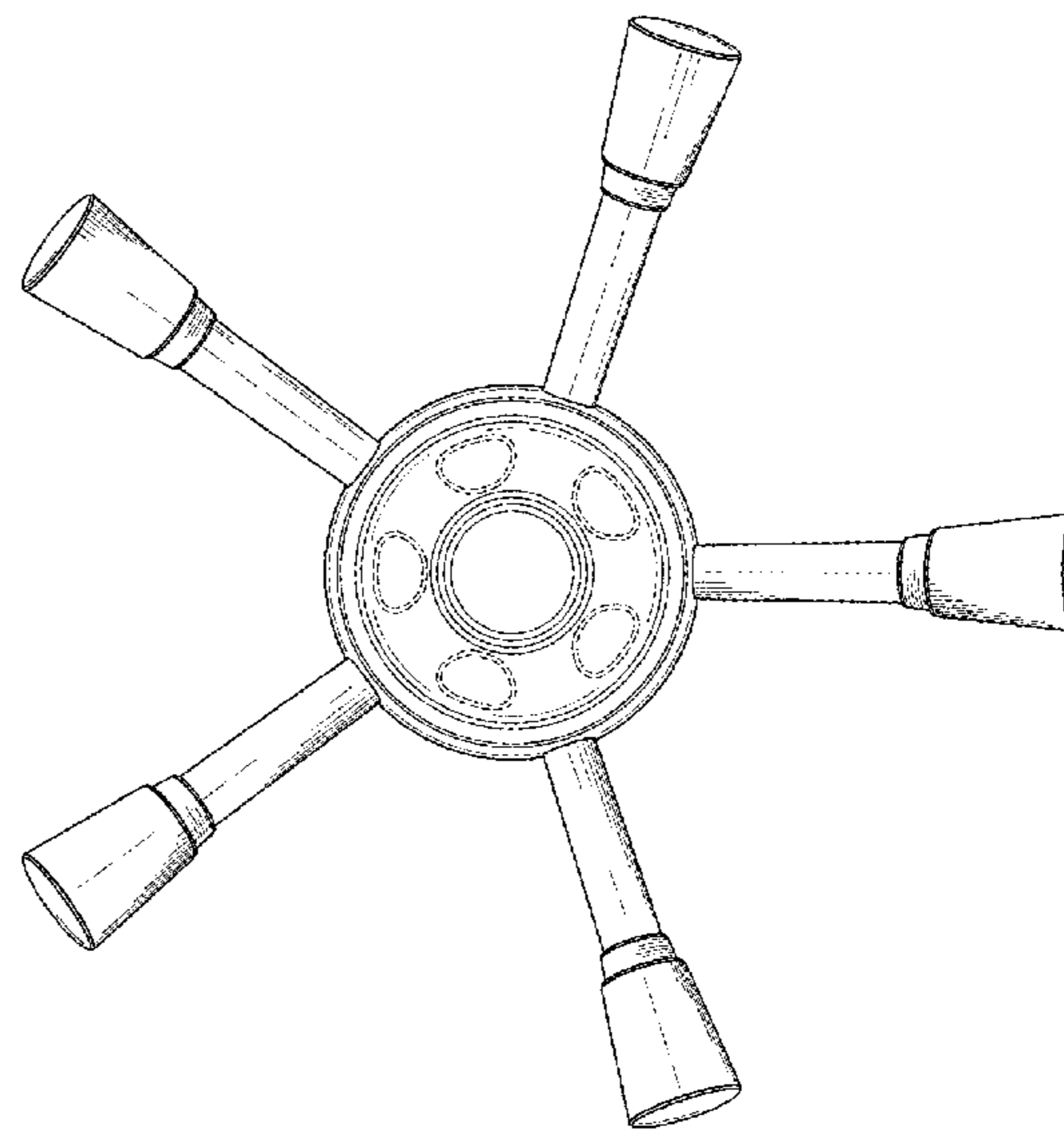
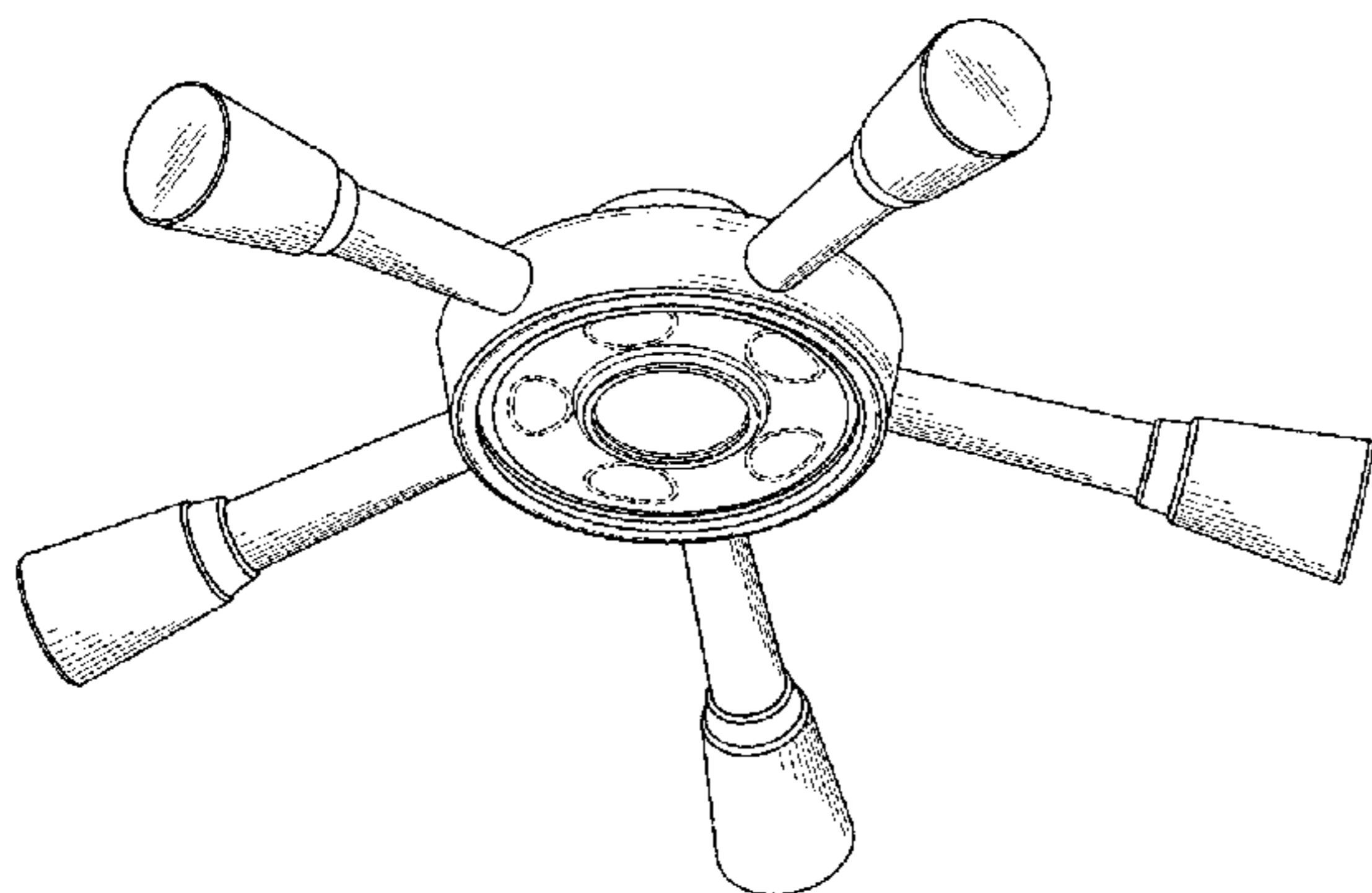
FIG. 4 is a top view thereof;

FIG. 5 is a bottom view thereof; and,

FIG. 6 is a side view thereof.

The broken lines shown in the drawings represent portions of the safe handle that form no part of the claimed design.

1 Claim, 4 Drawing Sheets



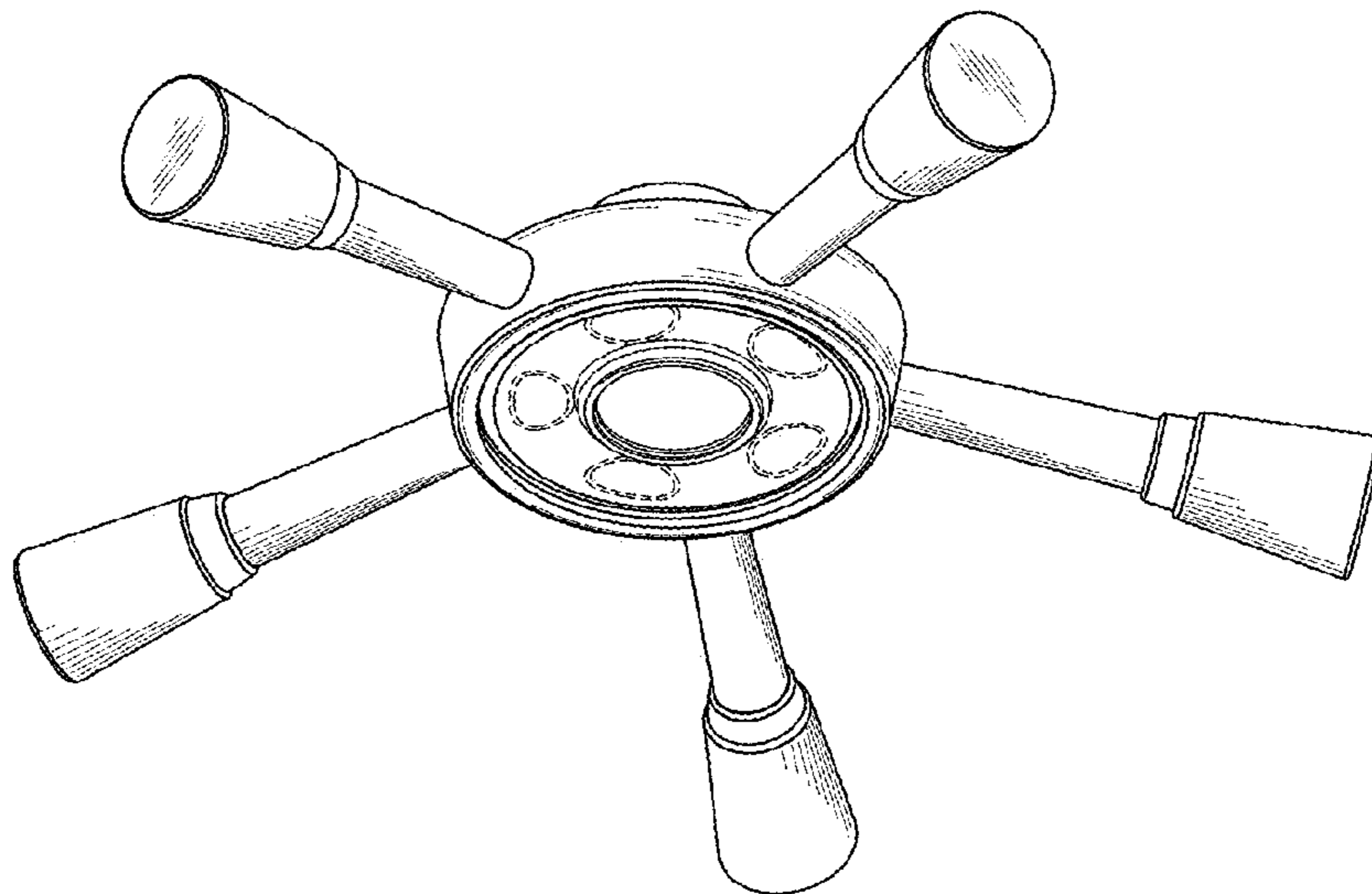


FIG. 1

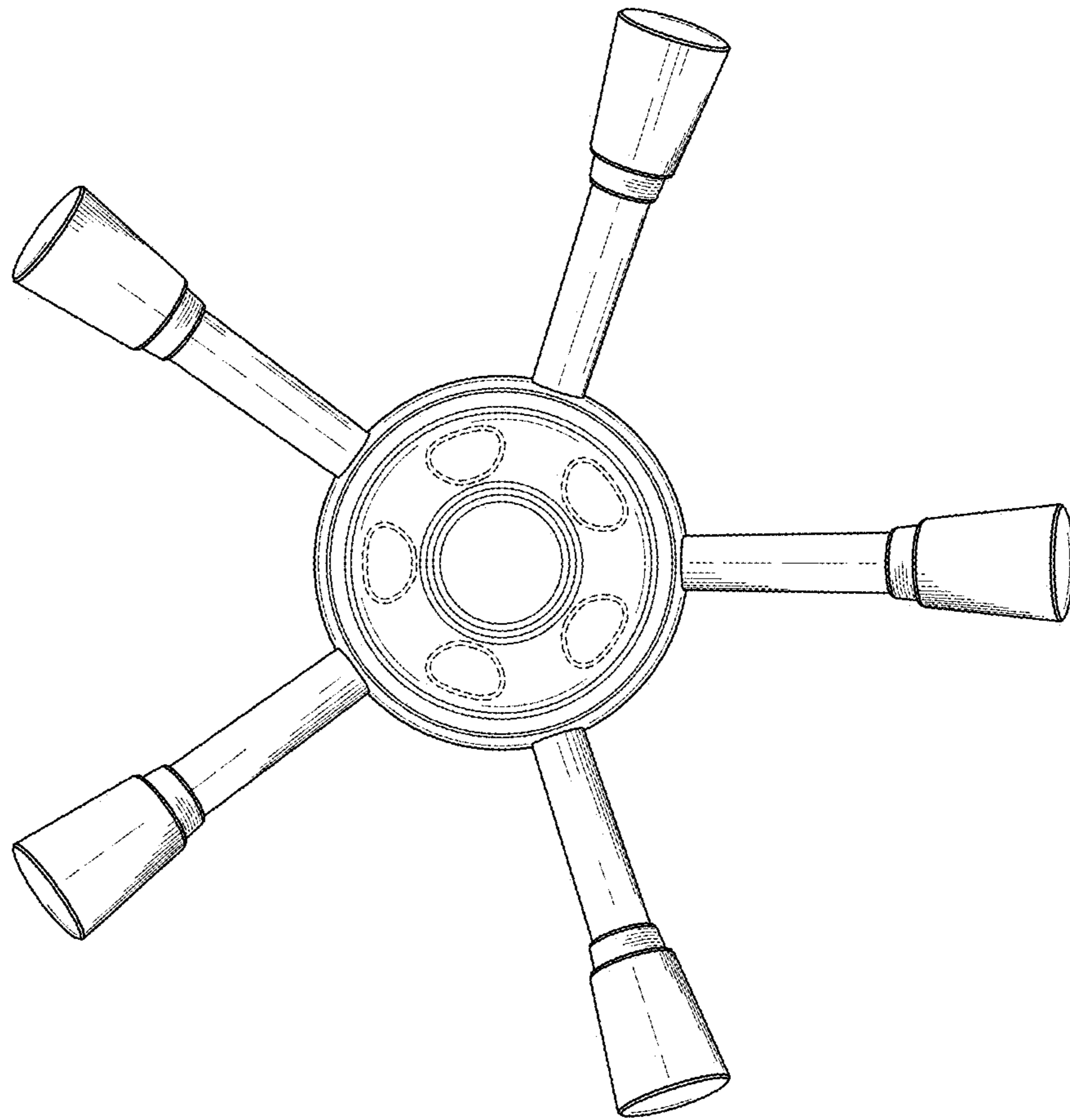


FIG. 2

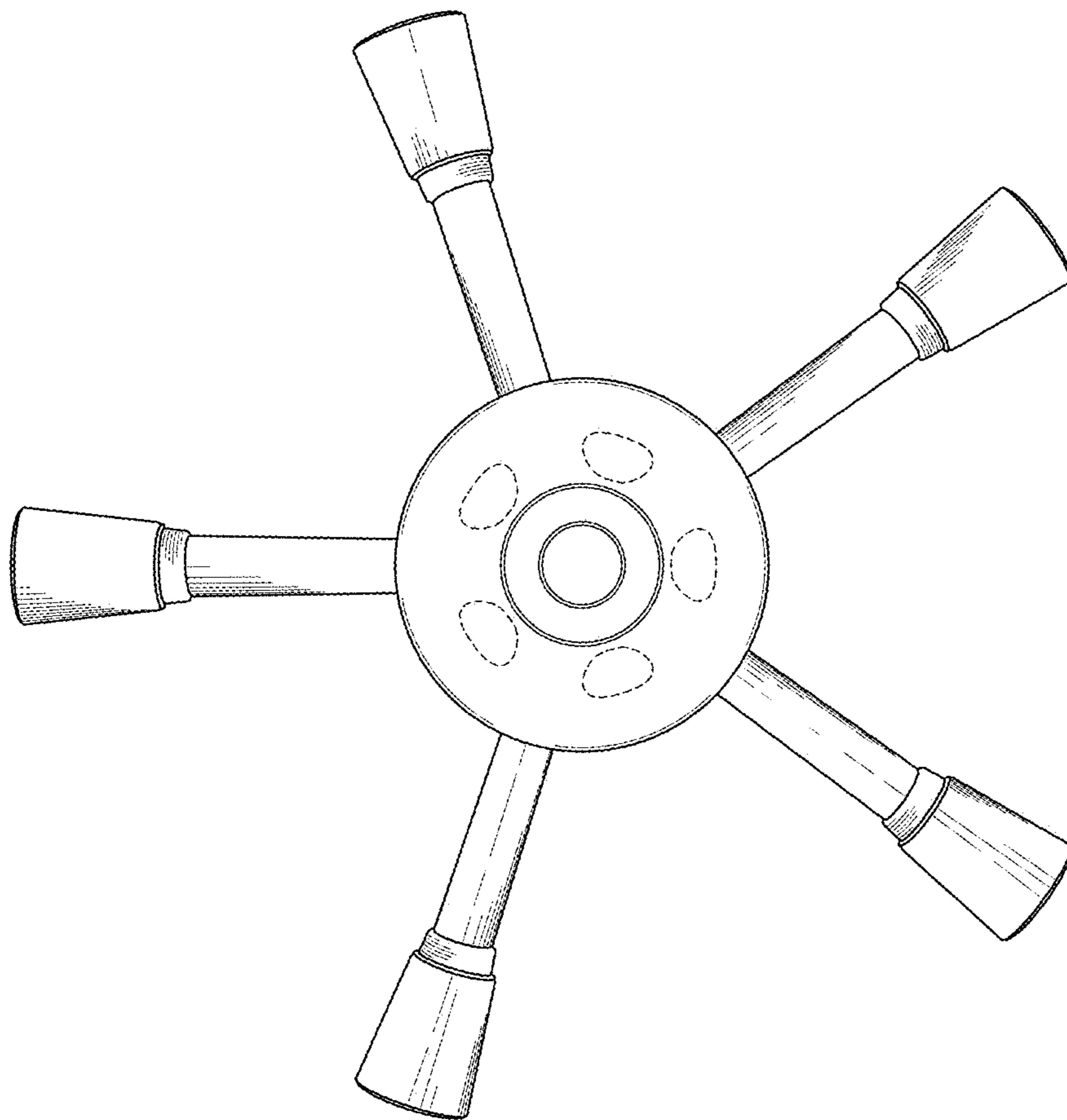


FIG. 3

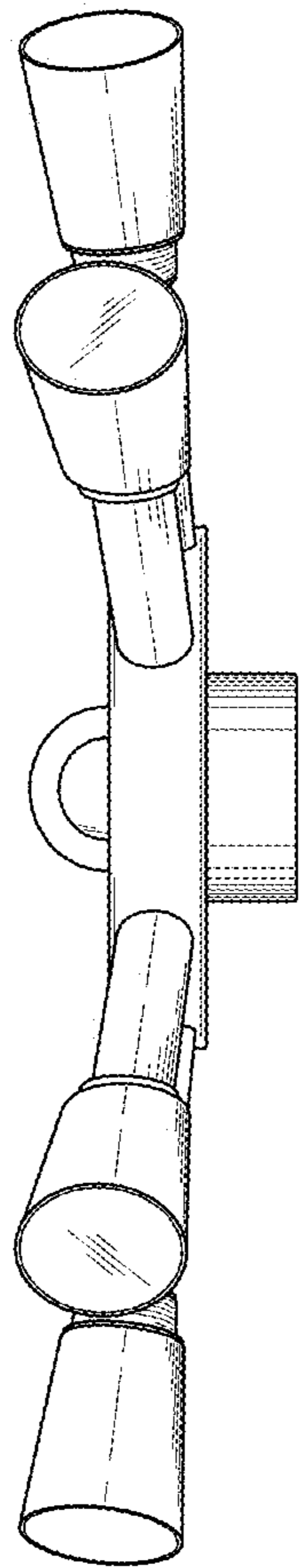


FIG. 4

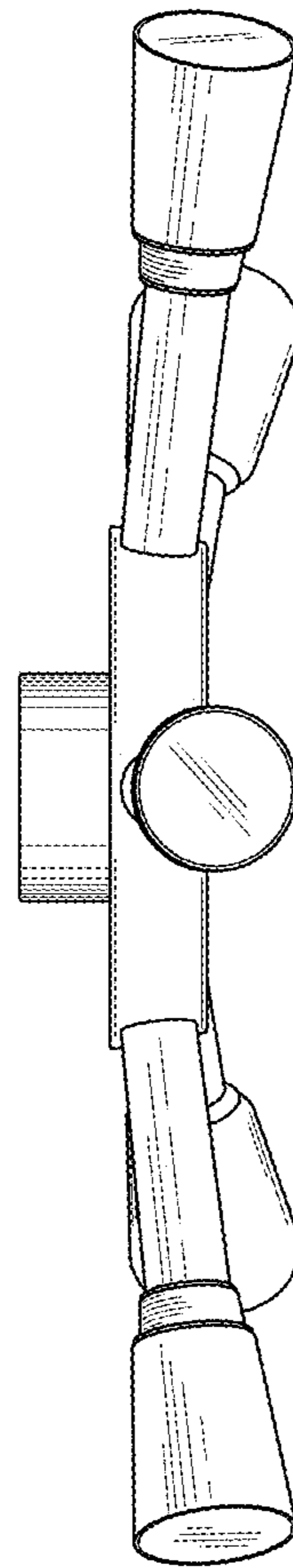


FIG. 5

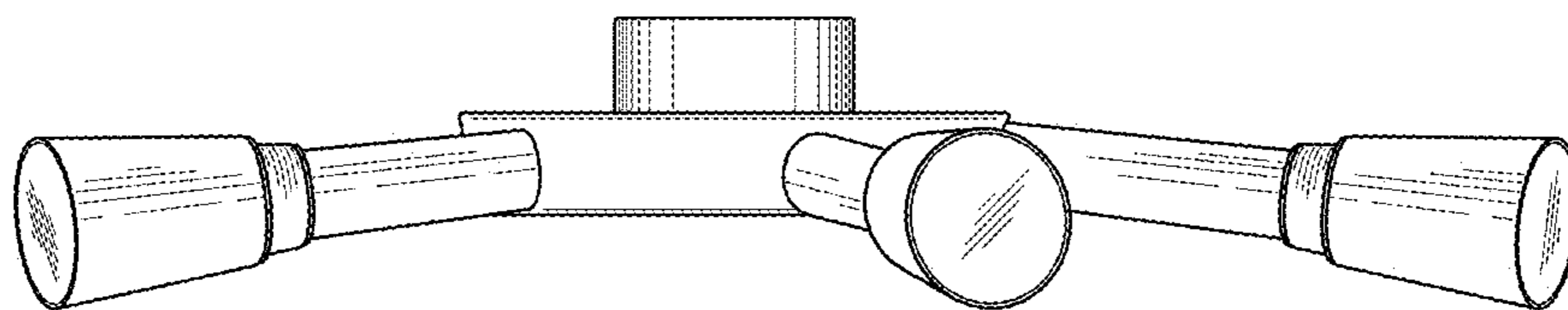


FIG. 6