



US00D694484S

(12) **United States Design Patent**
Angel et al.

(10) **Patent No.:** **US D694,484 S**

(45) **Date of Patent:** **** Nov. 26, 2013**

(54) **PIVOTING SCRUB PAD ATTACHMENT**

(75) Inventors: **Bruce A. Angel**, Stokesdale, NC (US);
David J. Rossman, Greensboro, NC (US)

(73) Assignee: **Camco Manufacturing Inc.**,
Greensboro, NC (US)

(**) Term: **14 Years**

(21) Appl. No.: **29/395,566**

(22) Filed: **Feb. 17, 2012**

(51) **LOC (9) Cl.** **04-01**

(52) **U.S. Cl.**
USPC **D32/50; D32/51**

(58) **Field of Classification Search**
USPC D32/40-45, 50-52; 15/118, 244.1,
15/244.2, 244.3, 244.4, 116.1, 116.2,
15/119.1, 119.2, 104.9, 228, 229.2, 229.4;
401/135-140

See application file for complete search history.

(56) **References Cited**

U.S. PATENT DOCUMENTS

4,731,897	A *	3/1988	Griffin	15/147.1
4,852,210	A *	8/1989	Krajicek	15/228
D368,561	S *	4/1996	Hodges et al.	D32/50
D423,157	S *	4/2000	Hodges	D32/40
D455,878	S *	4/2002	Debreczeni	D32/50
D457,994	S *	5/2002	Gomez et al.	D32/40
D497,721	S *	11/2004	Angeletta	D4/114
7,237,295	B2	7/2007	Lindholm	
D599,517	S *	9/2009	Vrdoljak	D32/40
D620,214	S *	7/2010	Clemen	D32/50
7,895,697	B2	3/2011	Cassar	
D638,596	S *	5/2011	Vasilakes et al.	D32/50

D654,238	S *	2/2012	Lee	D32/50
D660,536	S *	5/2012	Weaver et al.	D32/51
2006/0070196	A1 *	4/2006	Lacotta et al.	15/118

OTHER PUBLICATIONS

Ref. No. 1, Dual-Axis Swivel Plate, from the Swobbit website (www.swobbit.com), Feb. 16, 2012, 1 Page.

Ref. No. 2, Hook and Loop Backed Floor Pad Holder, from the Marble Cleaning Products website (www.marble-cleaning-products.com), Feb. 16, 2012, 1 Page.

Ref. No. 3, Swivel Pad, from the Defender catalog, p. 208, Feb. 16, 2012, 1 Page.

* cited by examiner

Primary Examiner — John Windmuller

(57) **CLAIM**

The ornamental design for a pivoting scrub pad attachment, as shown and described.

DESCRIPTION

FIG. 1 is a front, top right perspective view of a pivoting scrub pad attachment according to the invention;

FIG. 2 is a back, bottom left perspective view of a pivoting scrub pad attachment according to the invention;

FIG. 3 is a left plan view of FIG. 7 according to the invention;

FIG. 4 is a right plan view of FIG. 7 according to the invention;

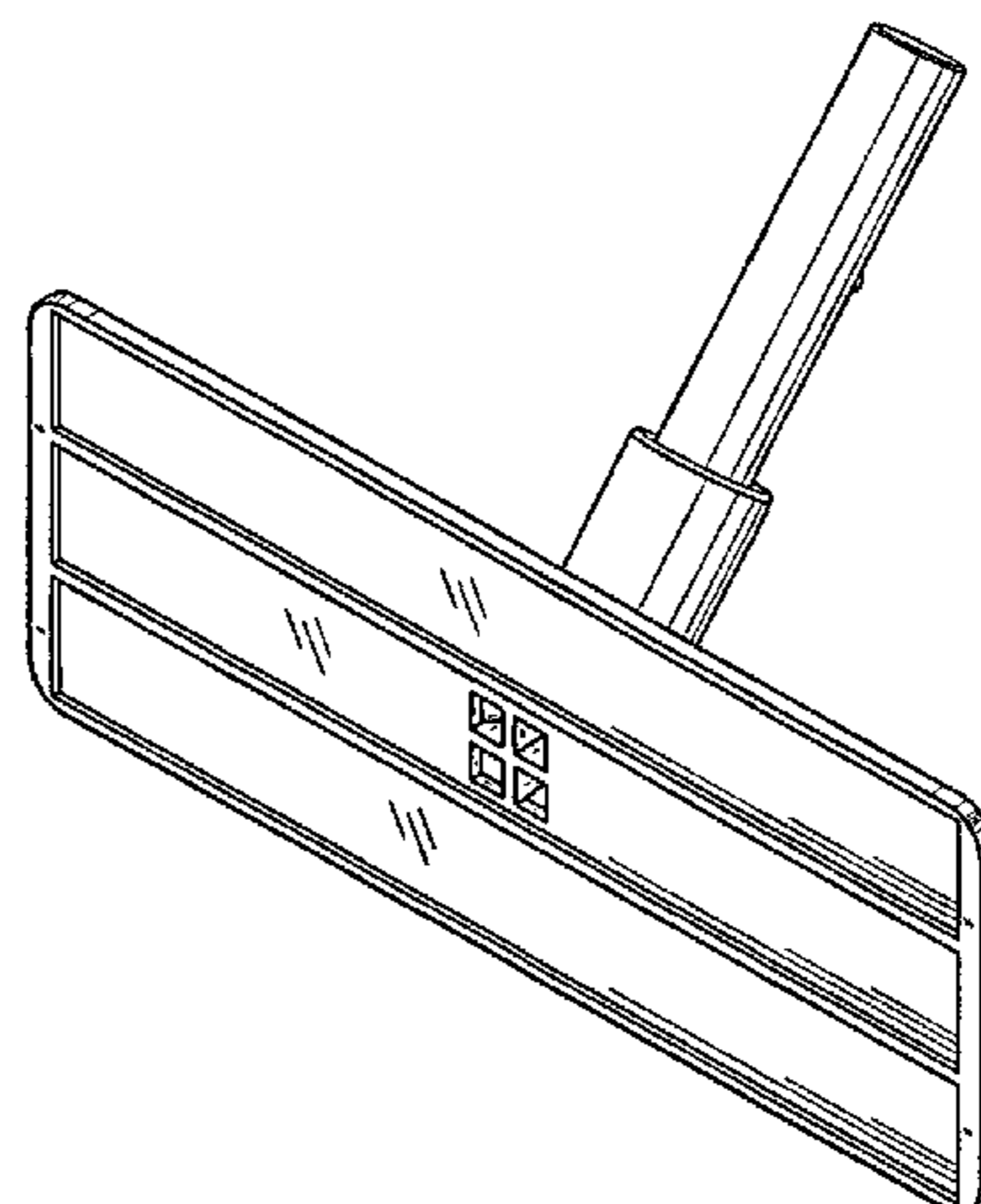
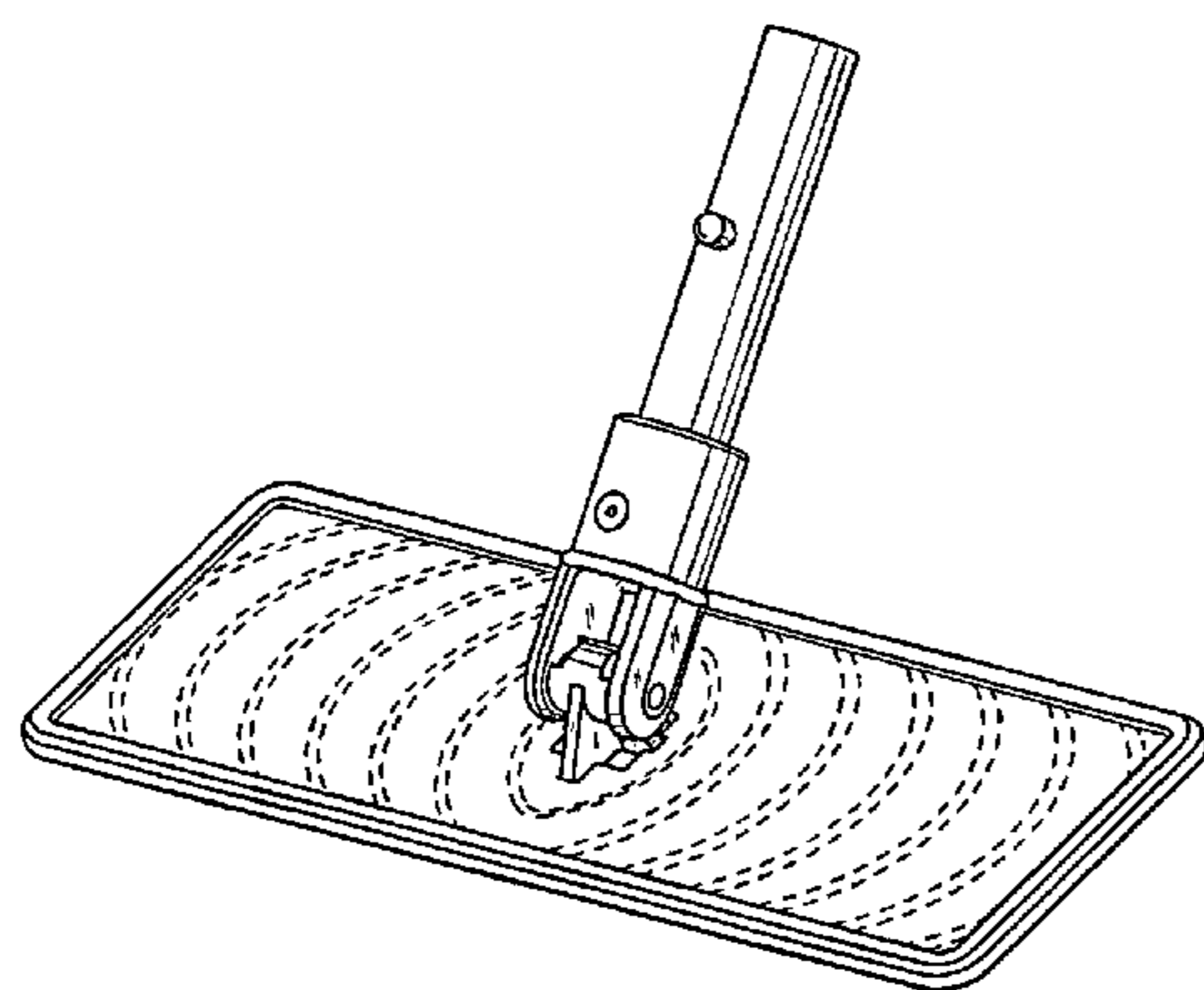
FIG. 5 is a top plan elevational view of FIG. 7 according to the invention; and,

FIG. 6 is a bottom elevational view of FIG. 7 according to the invention; and,

FIG. 7 is a front elevational view of FIG. 7 according to the invention; and,

FIG. 8 is a back elevational view of FIG. 7 according to the invention.

1 Claim, 4 Drawing Sheets



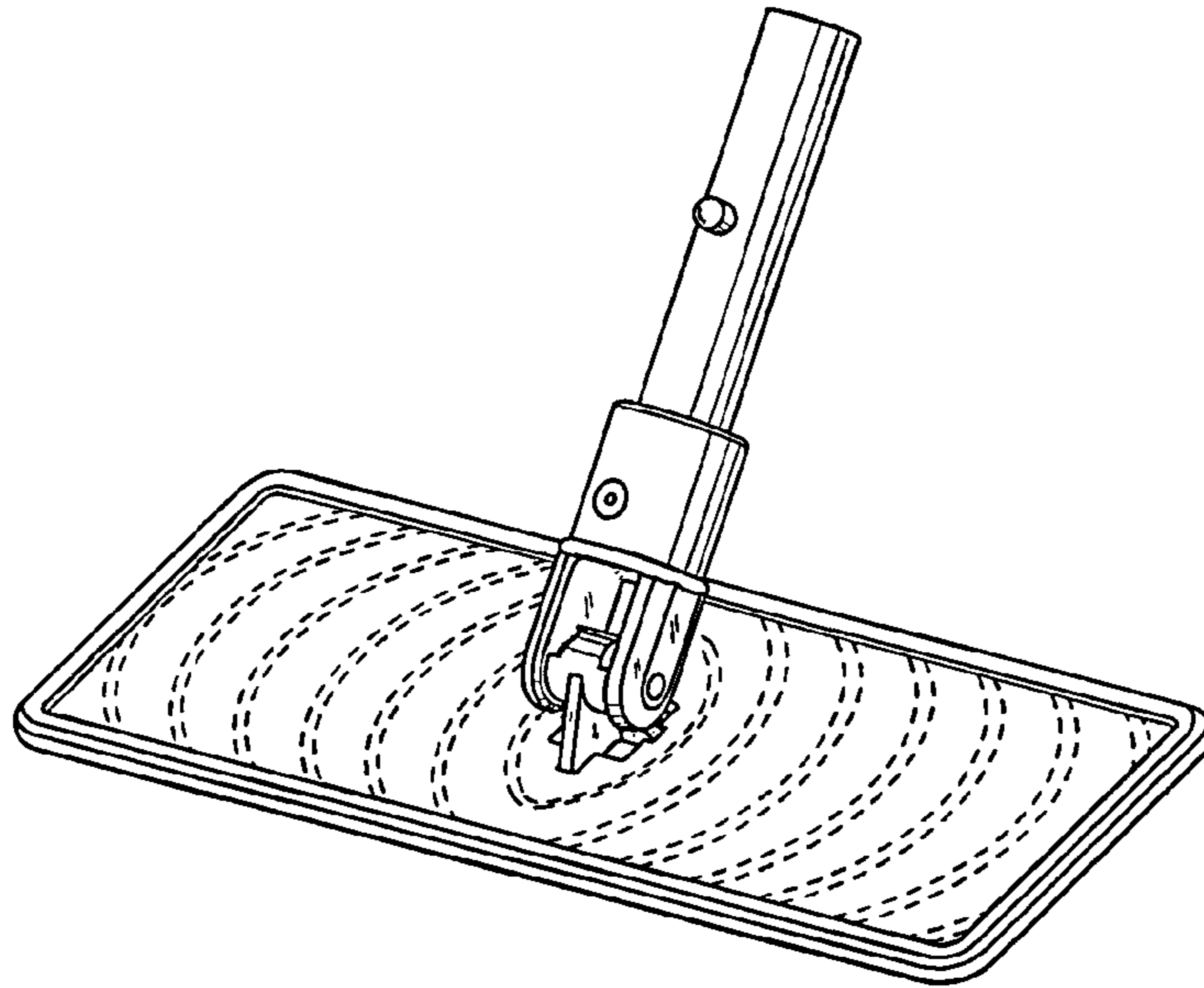


Fig. 1

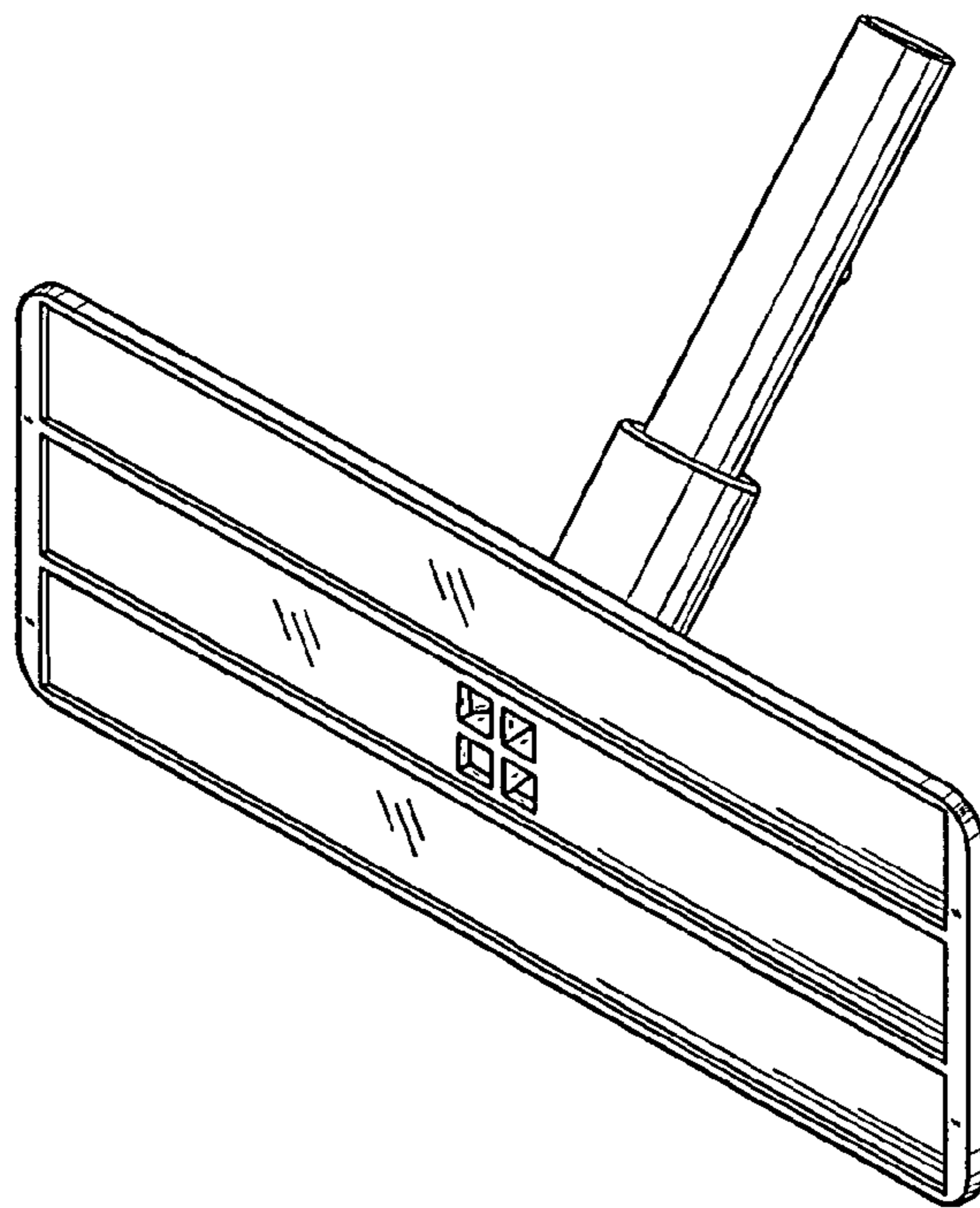


Fig. 2

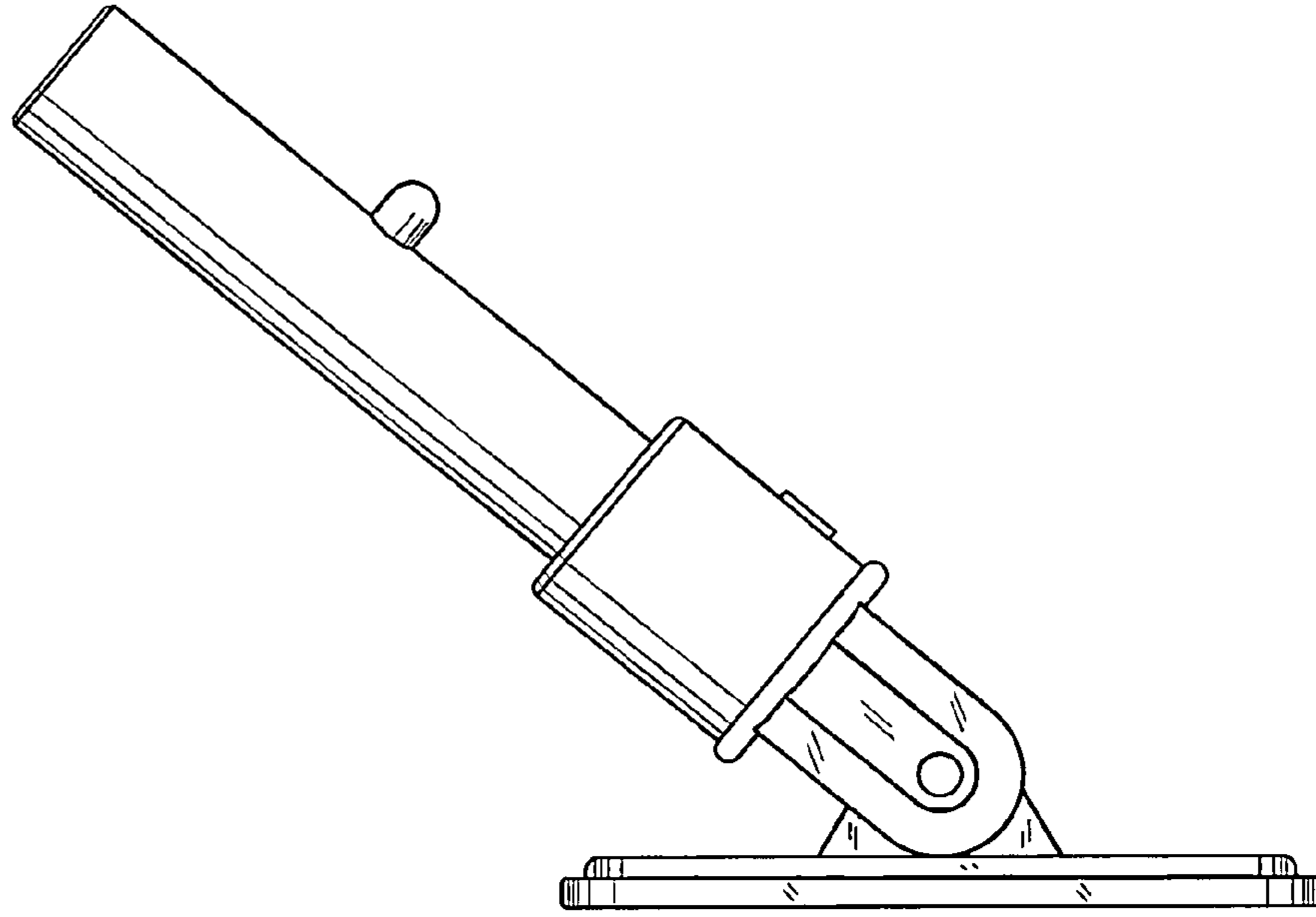


Fig. 3

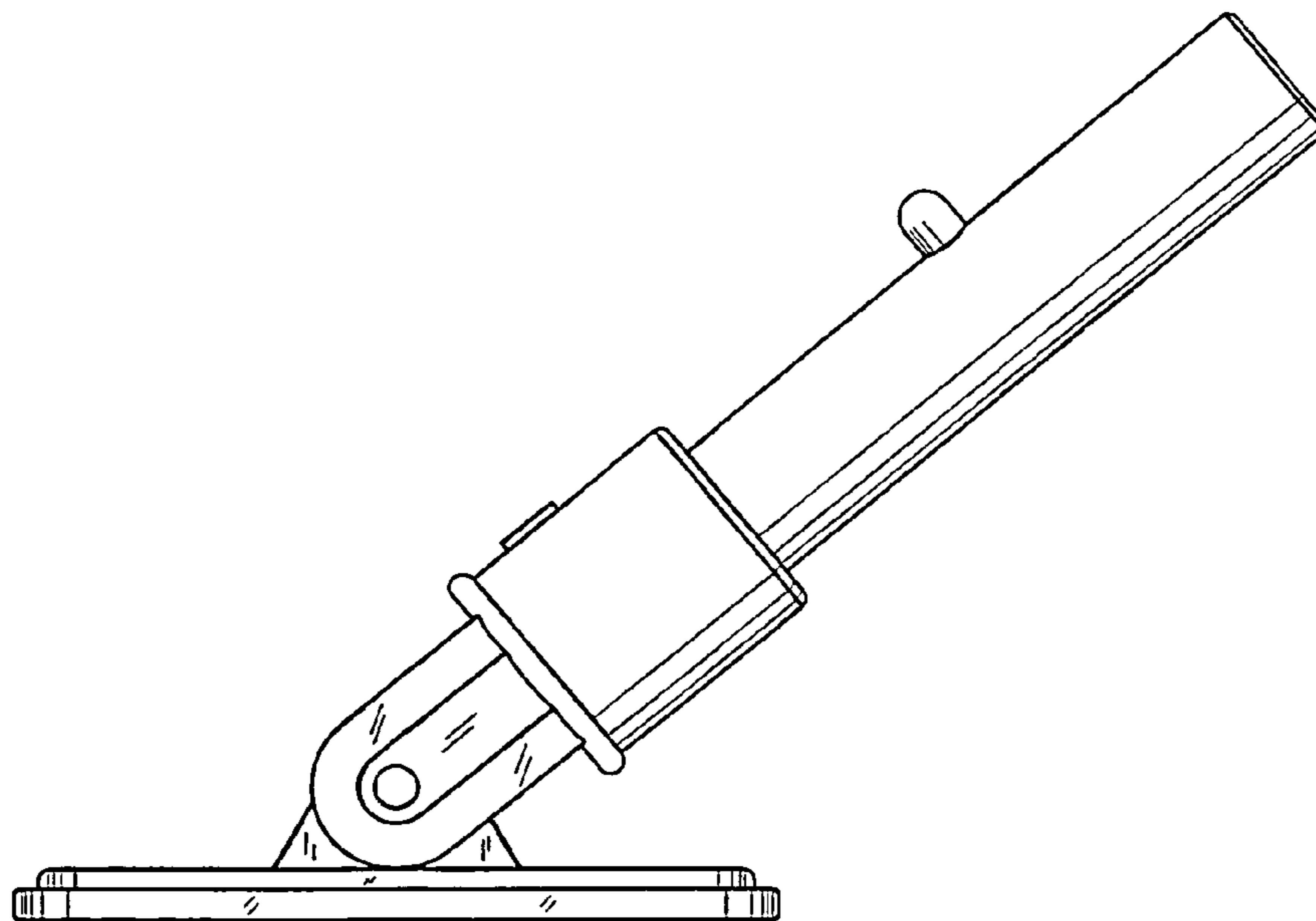


Fig. 4

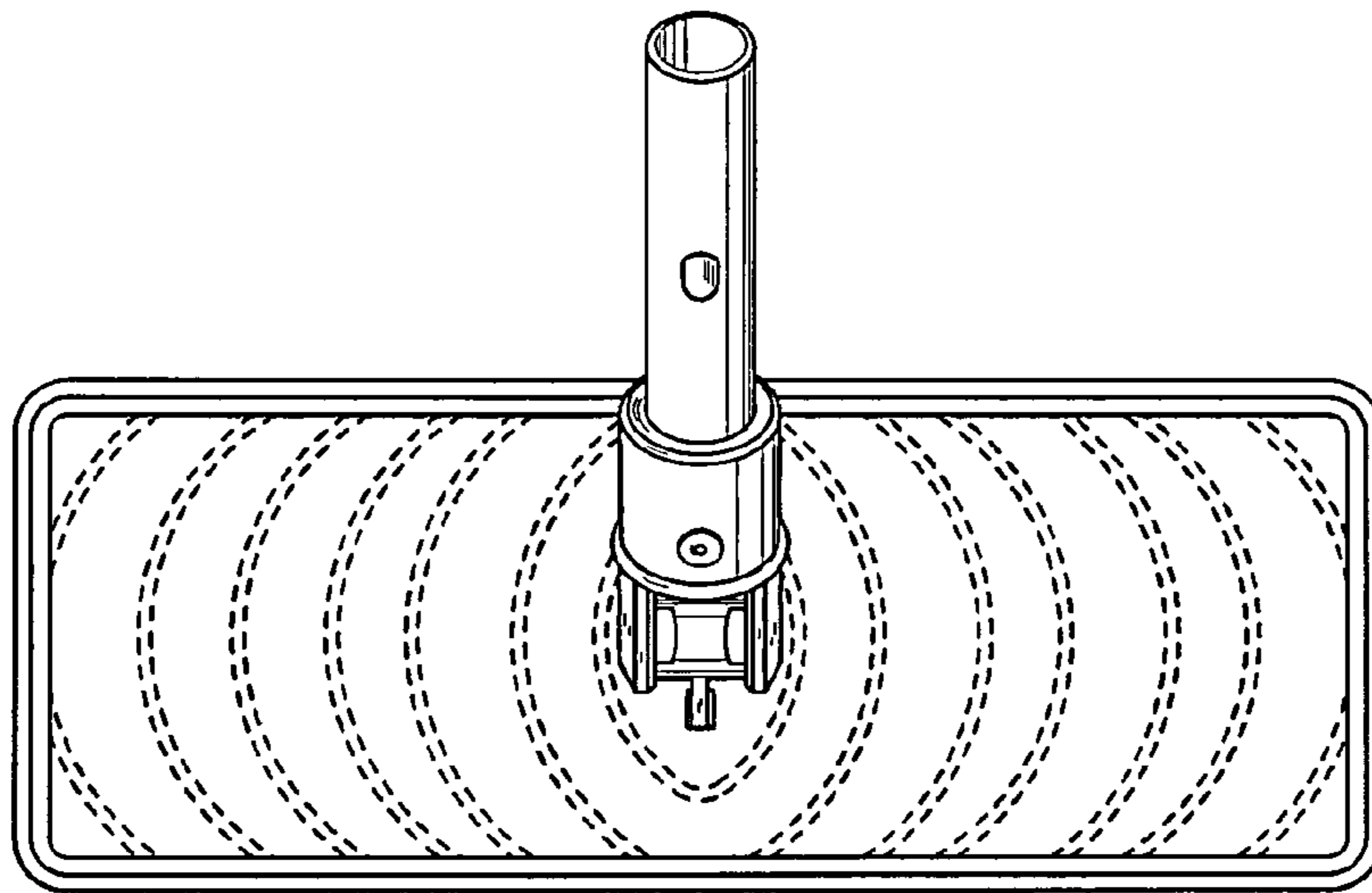


Fig. 5

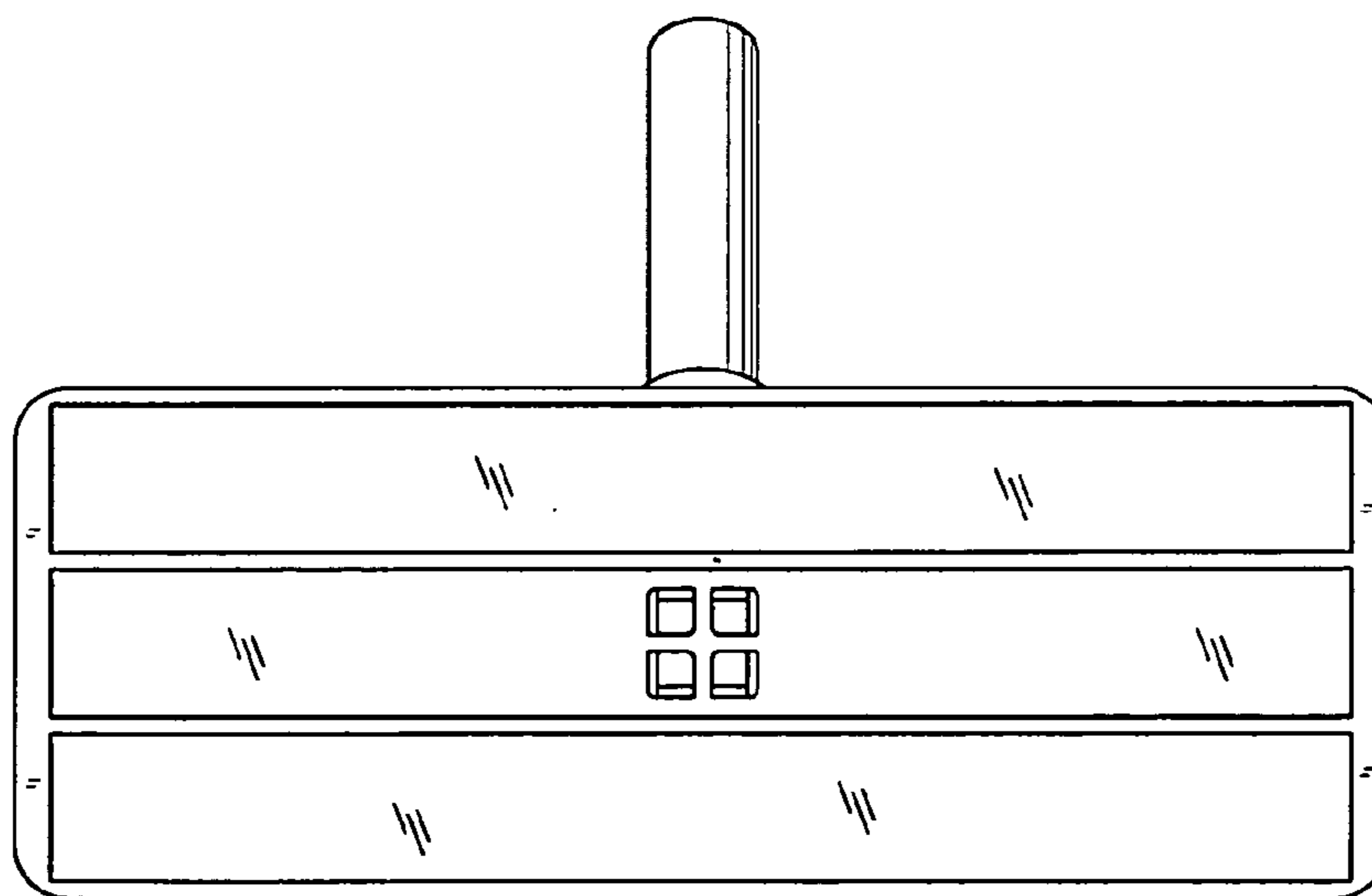


Fig. 6

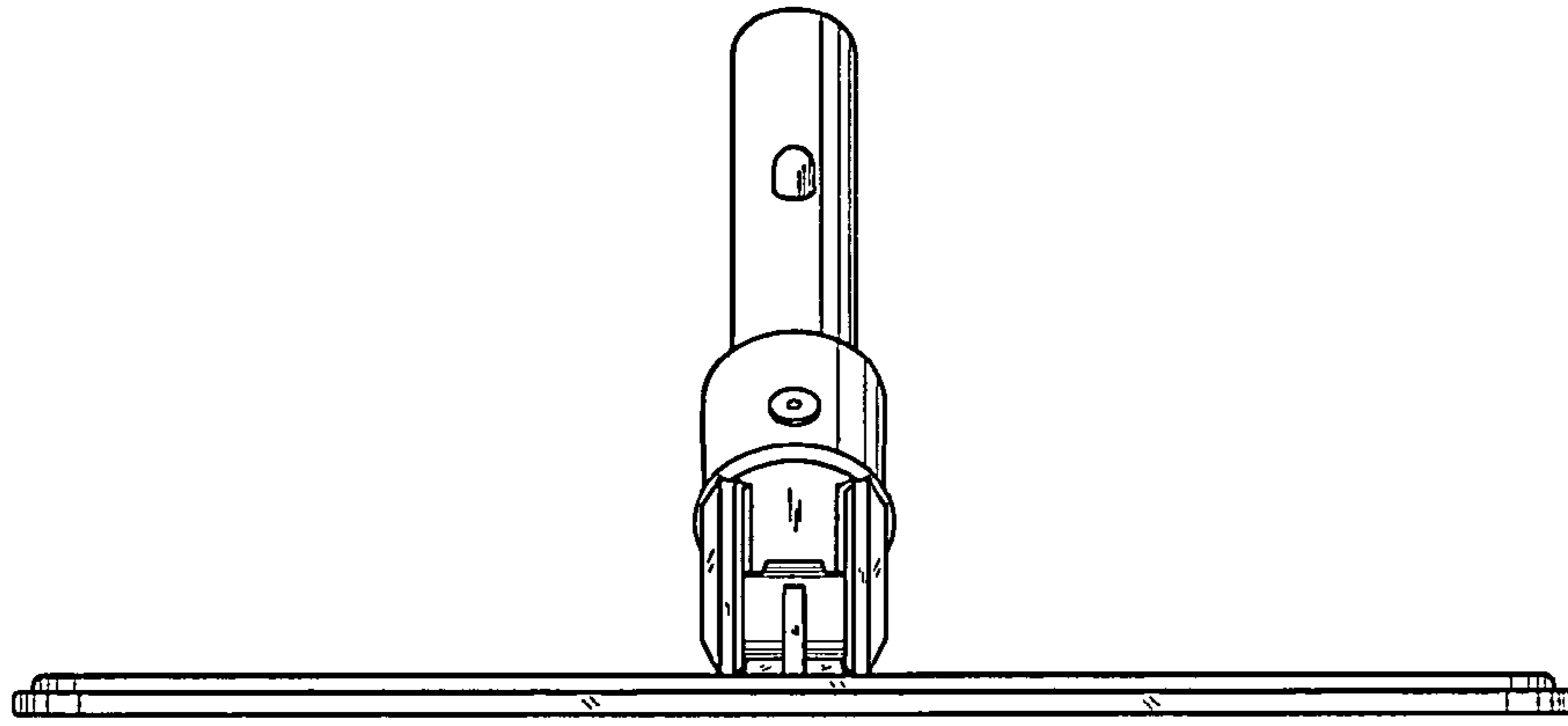


Fig. 7

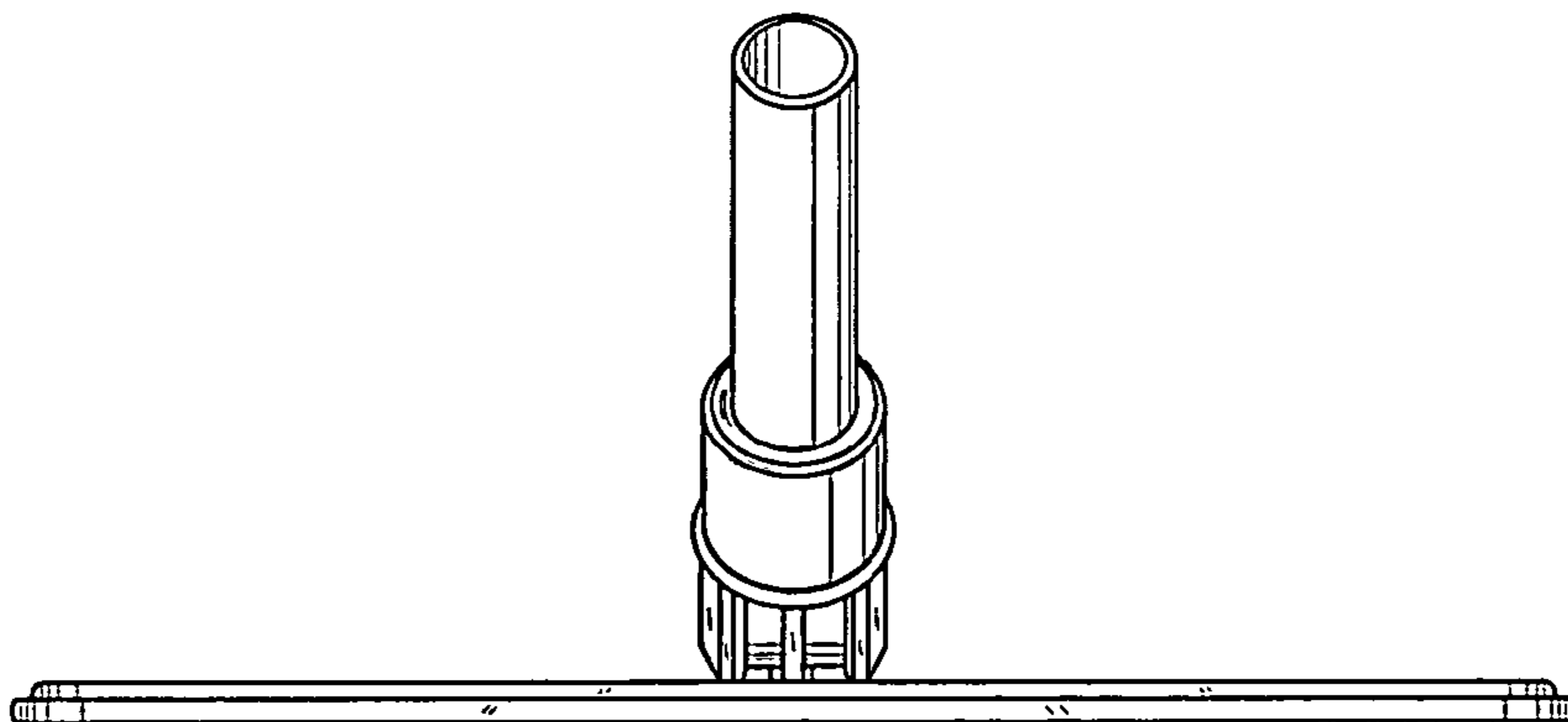


Fig. 8