



US00D694481S

(12) **United States Design Patent**
Grey et al.

(10) **Patent No.:** **US D694,481 S**

(45) **Date of Patent:** **** Nov. 26, 2013**

(54) **VACUUM CLEANER**

(76) Inventors: **Nicholas Gerald Grey, Spetchley (GB);**
Christopher Vaggas, Spetchley (GB)

(**) Term: **14 Years**

(21) Appl. No.: **29/412,777**

(22) Filed: **Feb. 7, 2012**

(51) **LOC (9) Cl.** **15-05**

(52) **U.S. Cl.**
USPC **D32/22**

(58) **Field of Classification Search**
USPC D32/21, 22, 31-34, 17, 42, 45, 50;
15/1.7, 415.1, 416-422.1, 414, 322,
15/353, 400, 327.1, 319, 366, 383, 179,
15/182, 41.1, 320, 403
See application file for complete search history.

(56) **References Cited**

U.S. PATENT DOCUMENTS

D313,879 S *	1/1991	Ito	D32/22
D359,604 S *	6/1995	Sovis et al.	D32/22
6,012,200 A *	1/2000	Murphy et al.	15/347
D465,623 S *	11/2002	Main et al.	D32/22
D468,498 S *	1/2003	Santiago et al.	D32/31

D507,387 S *	7/2005	Jacobs	D32/22
D562,509 S *	2/2008	Lee	D32/22
D562,510 S *	2/2008	Hahn	D32/22
D608,962 S *	1/2010	Reese et al.	D32/22
D615,717 S *	5/2010	Butts et al.	D32/22
D631,625 S *	1/2011	Wada et al.	D32/22
D646,856 S *	10/2011	Breit et al.	D32/22

* cited by examiner

Primary Examiner — Ruth McInroy

(74) *Attorney, Agent, or Firm* — Mark A. Oathout; Oathout Law Firm

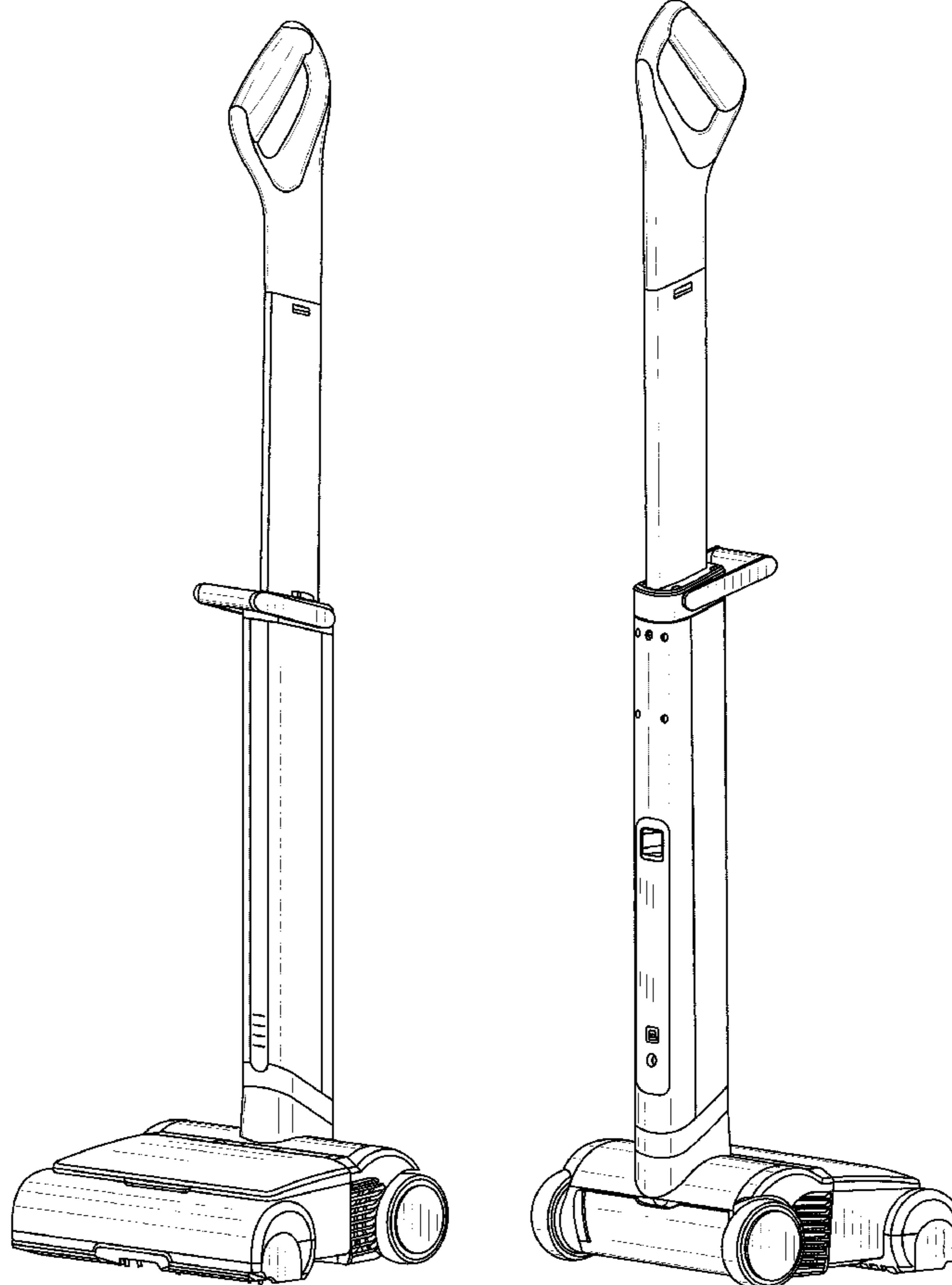
(57) **CLAIM**

We claim the ornamental design for a vacuum cleaner, as shown and described.

DESCRIPTION

FIG. 1 is a front perspective view of a vacuum cleaner showing our new design;
FIG. 2 is a rear perspective view thereof;
FIG. 3 is a front view thereof.
FIG. 4 is a left side view thereof.
FIG. 5 is a rear view thereof.
FIG. 6 is a top view thereof; and,
FIG. 7 is a right side view thereof.

1 Claim, 7 Drawing Sheets



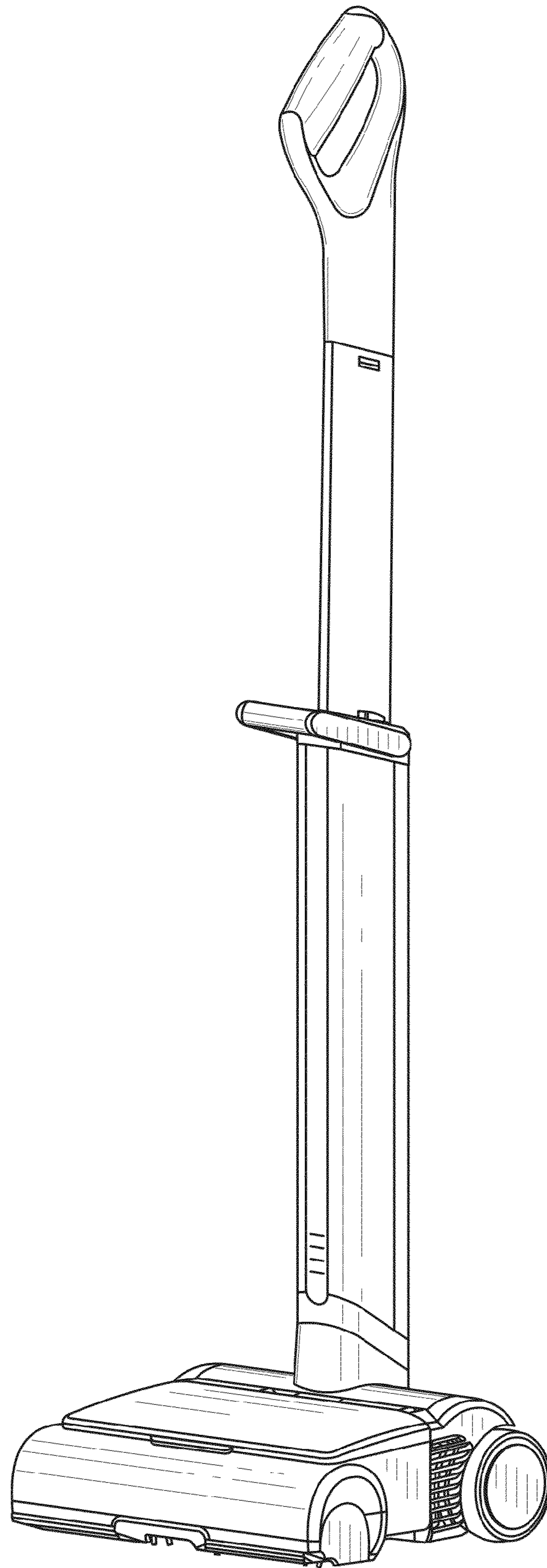


FIG. 1

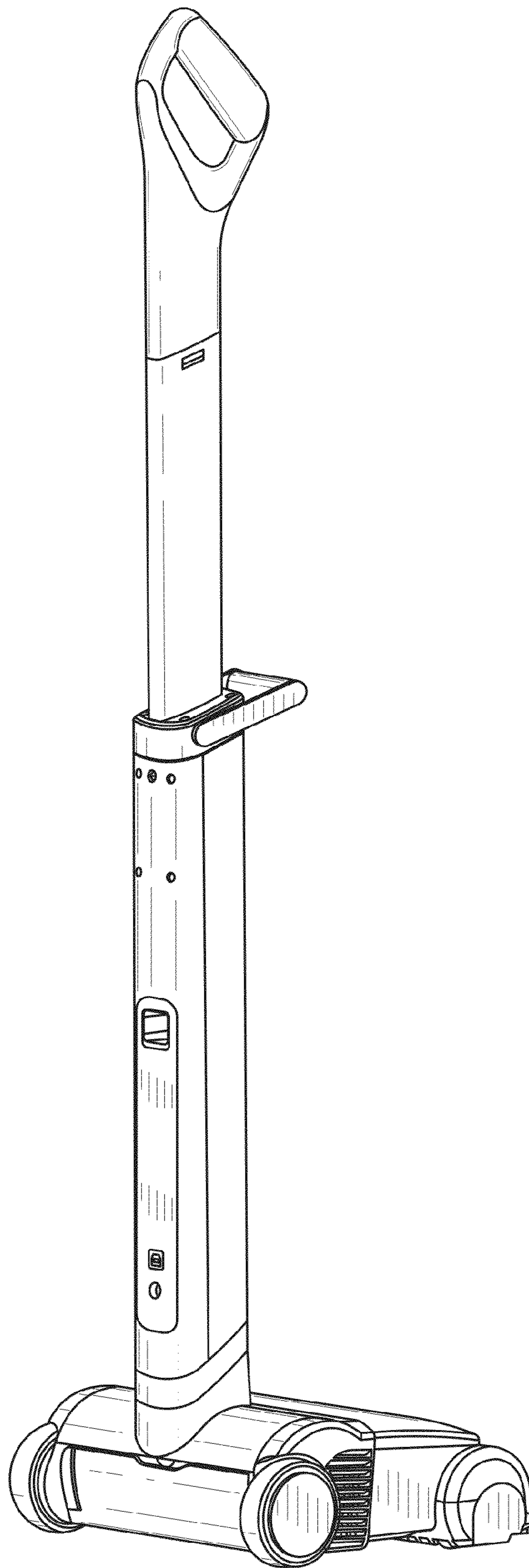


FIG. 2

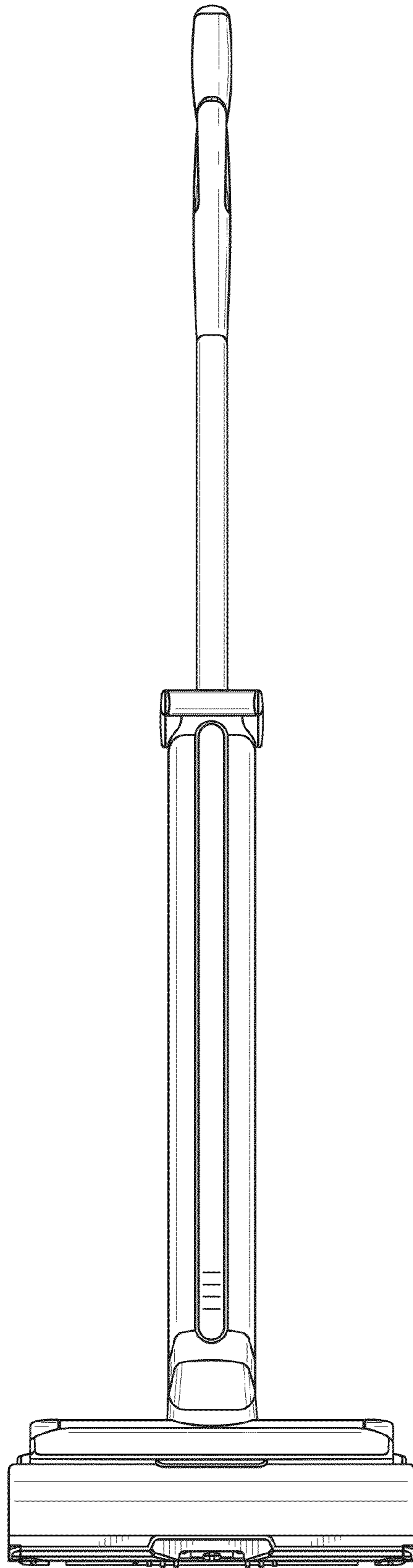


FIG. 3

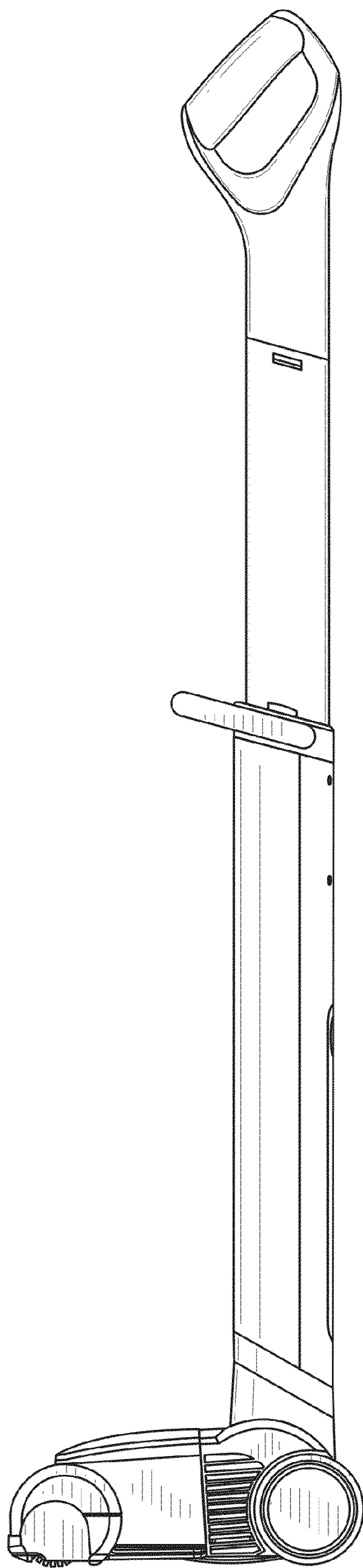


FIG. 4

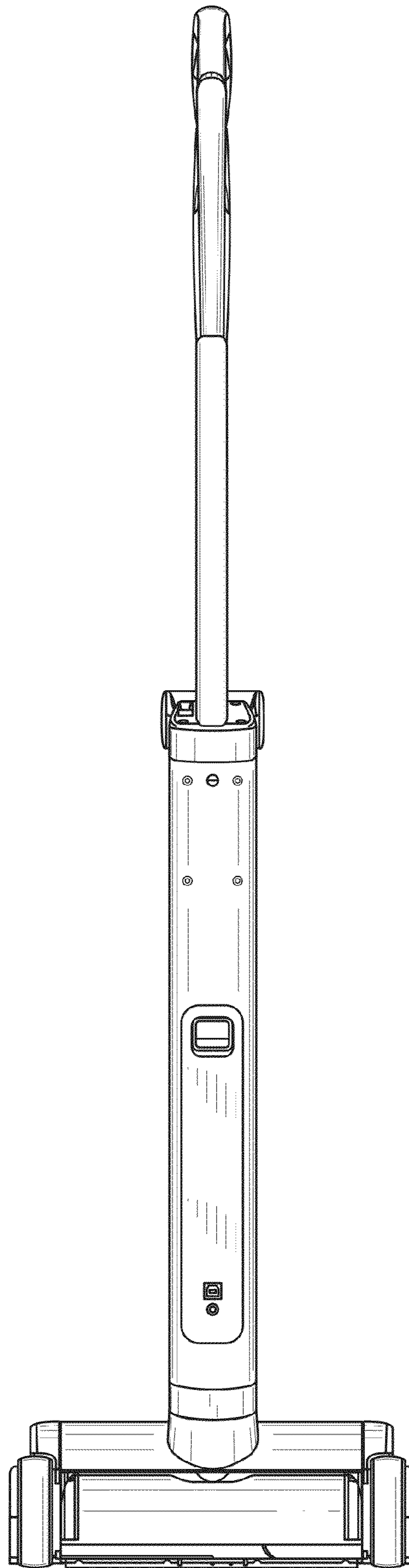


FIG. 5

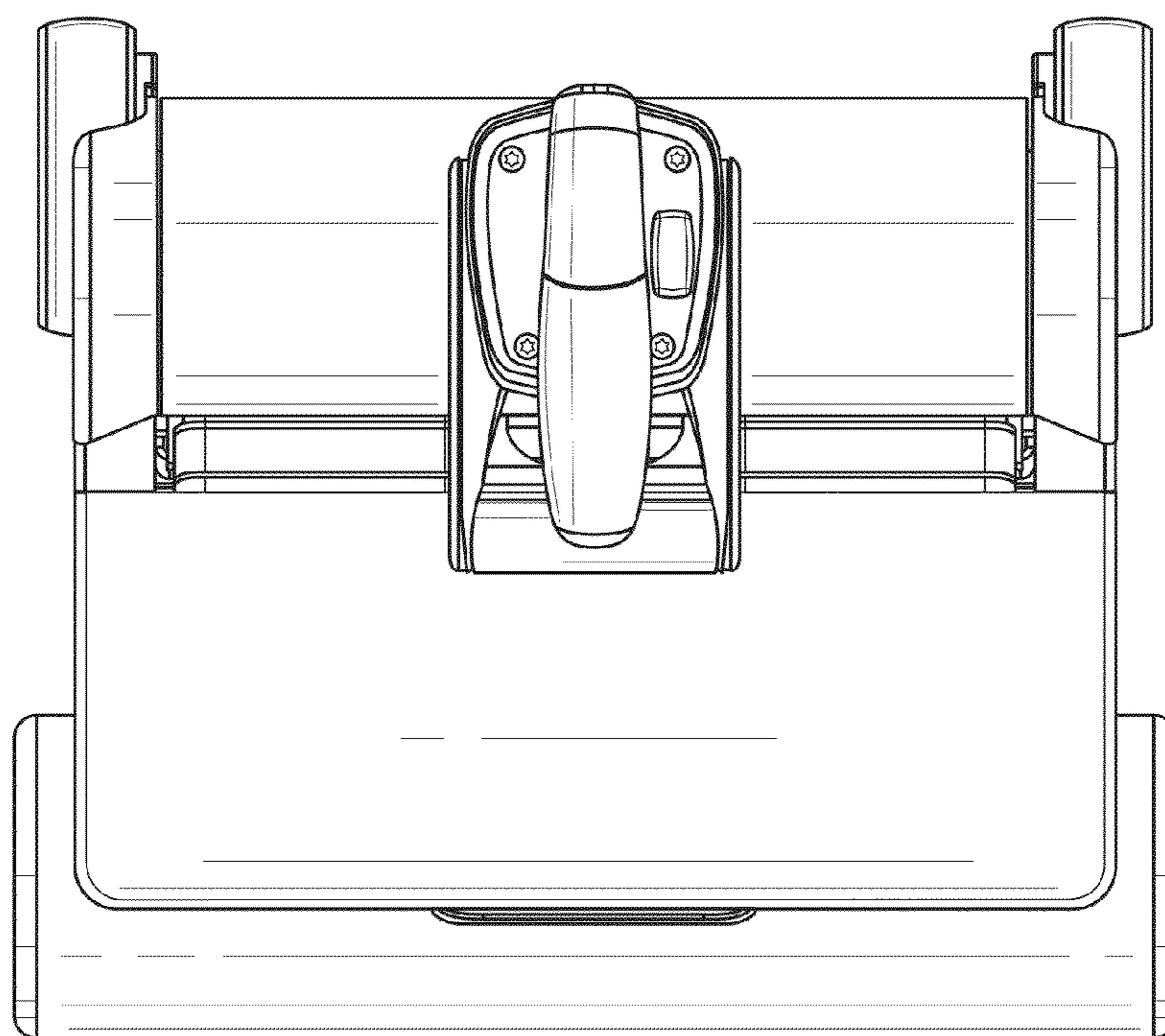


FIG. 6

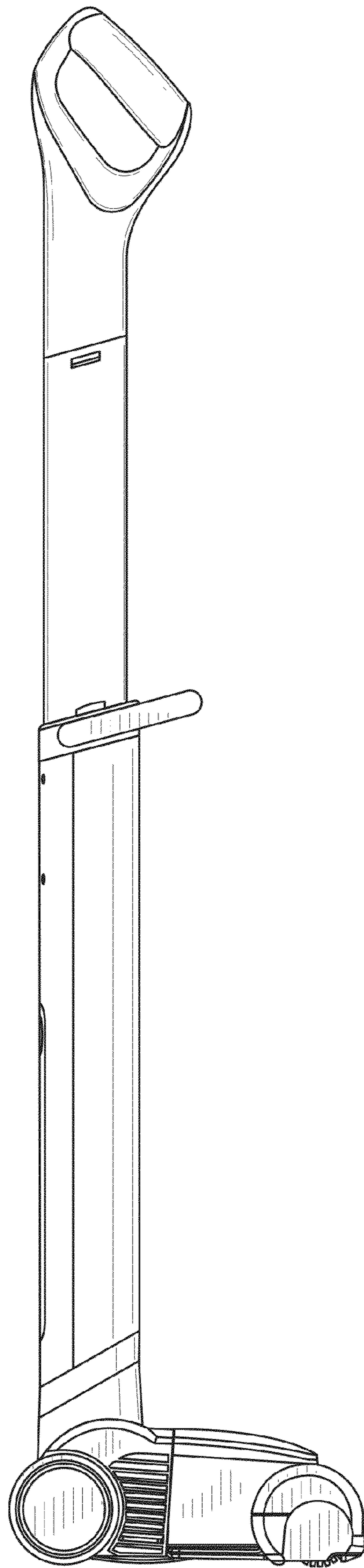


FIG. 7