

US00D694480S

(12) **United States Design Patent**
Thomas

(10) **Patent No.:** **US D694,480 S**
(45) **Date of Patent:** **** Nov. 26, 2013**

(54) **HARD SURFACE SPINNING WAND**

(75) Inventor: **Paul B. Thomas**, San Pedro, CA (US)

(73) Assignee: **EDIC**, Los Angeles, CA (US)

(**) Term: **14 Years**

(21) Appl. No.: **29/374,321**

(22) Filed: **Jul. 29, 2011**

(51) **LOC (9) Cl.** **15-05**

(52) **U.S. Cl.**
USPC **D32/15; D32/25**

(58) **Field of Classification Search**
USPC D32/15, 16, 17-25, 32, 1; 451/353;
15/98, 320, 321, 353, 497, 49.1-52.2
See application file for complete search history.

(56) **References Cited**

U.S. PATENT DOCUMENTS

D166,572 S *	4/1952	Pond	D32/19
D178,848 S *	9/1956	Pond	D32/19
D181,225 S *	10/1957	Nilsson et al.	D32/20
D192,554 S *	4/1962	Holt	D32/19
D205,444 S *	8/1966	Storm, Jr.	D32/19
D231,246 S *	4/1974	Sundberg	D32/19
D246,523 S *	11/1977	Bartlett	D32/32
D246,587 S *	12/1977	Miller	D32/25
D251,007 S *	2/1979	Burgoon	D32/19
D255,359 S *	6/1980	Bartlett	D32/32
D269,557 S *	6/1983	Cook, Jr.	D32/19
D282,110 S *	1/1986	Tucker et al.	D32/19
D296,250 S *	6/1988	Genovese	D32/19
D296,251 S *	6/1988	Genovese	D32/19
D307,204 S *	4/1990	Bradd	D32/25
D317,667 S *	6/1991	Bolser et al.	D32/19
D317,668 S *	6/1991	Bolser et al.	D32/19
D325,796 S *	4/1992	Kallenbach	D32/1

D353,917 S *	12/1994	Hoekstra et al.	D32/34
D355,285 S *	2/1995	Lawrence et al.	D32/32
D375,591 S *	11/1996	Fryoux	D32/15
D391,704 S *	3/1998	Facer	D32/32
D498,027 S *	11/2004	Alsrüh et al.	D32/19
D498,028 S *	11/2004	Alsrüh et al.	D32/25
D498,889 S *	11/2004	Alsrüh et al.	D32/25
D558,943 S *	1/2008	Labarbera	D32/31
D566,351 S *	4/2008	Crevling et al.	D32/25
D595,909 S *	7/2009	Barnes et al.	D32/16
D609,421 S *	2/2010	Oswick	D32/50
D658,837 S *	5/2012	Ediger et al.	D32/50
D659,310 S *	5/2012	Dammkoehler	D32/19

* cited by examiner

Primary Examiner — Mark Goodwin

(74) *Attorney, Agent, or Firm* — Jerry Fong

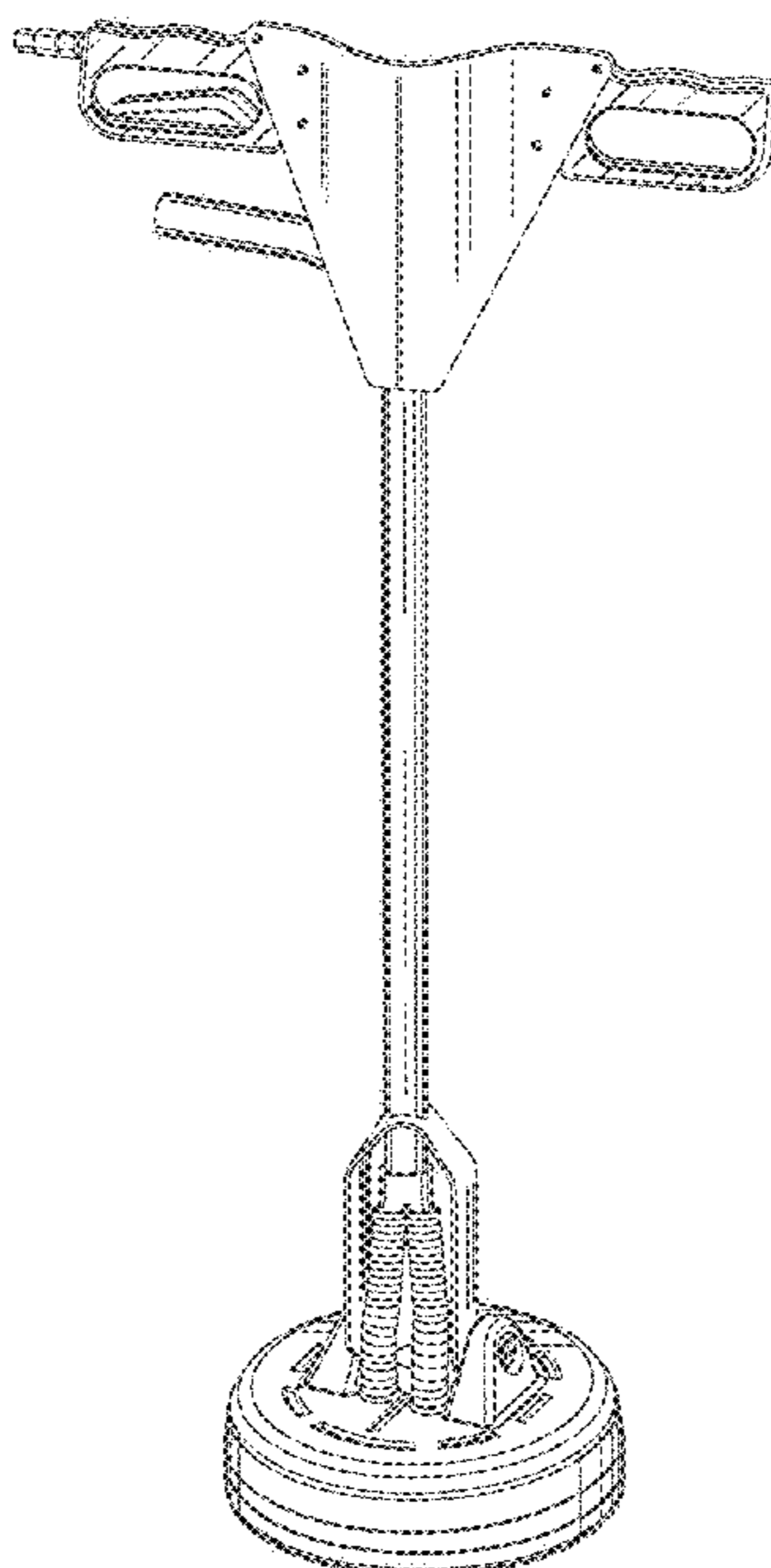
(57) **CLAIM**

The ornamental design for a hard surface spinning wand, as shown and described.

DESCRIPTION

FIG. 1 is a perspective view of a hard surface spinning wand, showing my new design;
 FIG. 2 is a front elevational view thereof;
 FIG. 3 is a rear elevational view thereof;
 FIG. 4 is a top plan view thereof;
 FIG. 5 is a bottom plan view thereof;
 FIG. 6 is a right side elevational view when viewing from the right side of FIG. 2 thereof; and,
 FIG. 7 is a left side elevational view when viewing from the left side of FIG. 2 thereof.
 The broken line showing in FIG. 5 is included for the purpose of illustrating a portion of a hard surface spinning wand and forms no part of the claimed design.

1 Claim, 6 Drawing Sheets



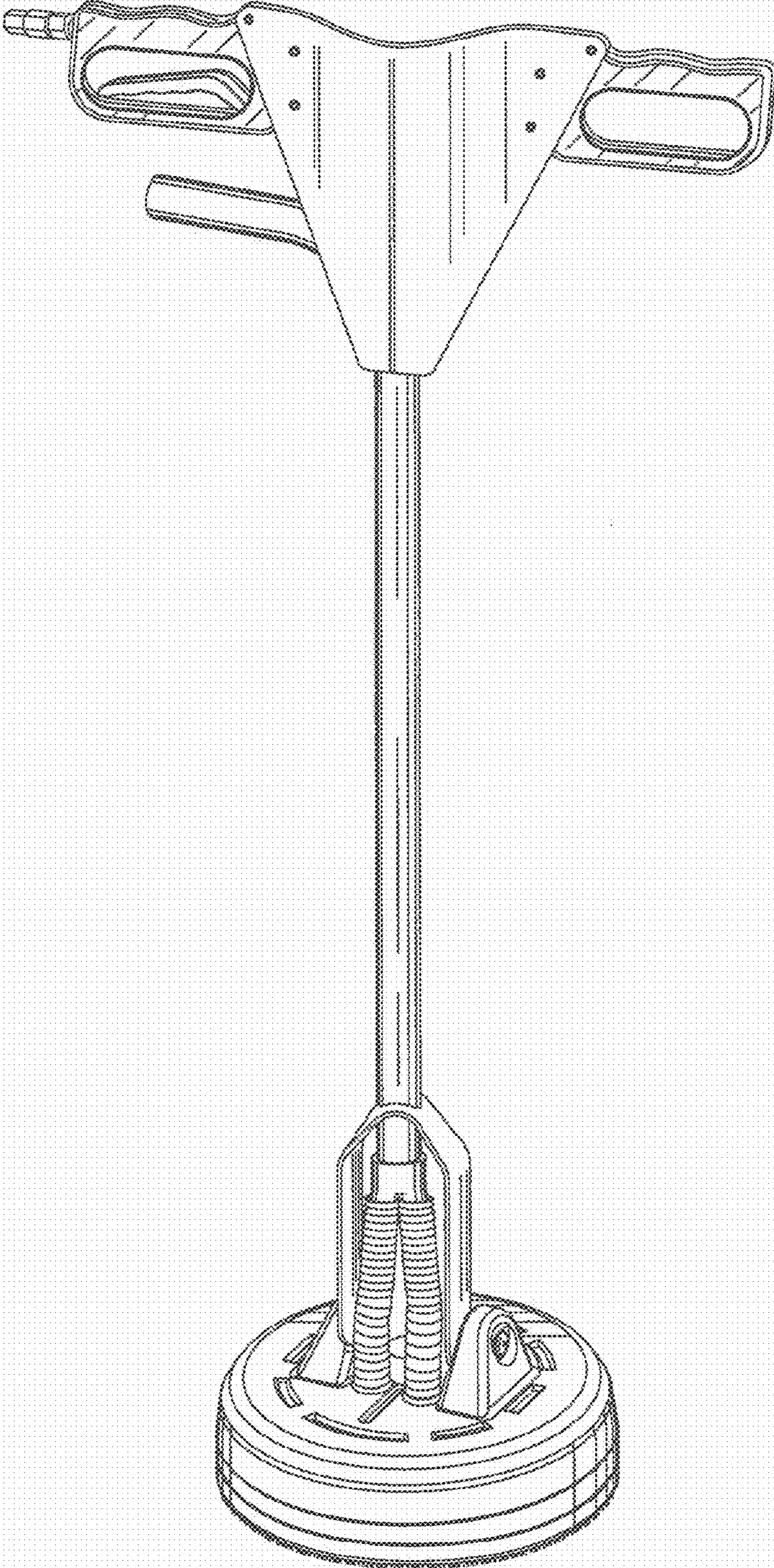


FIG. 1

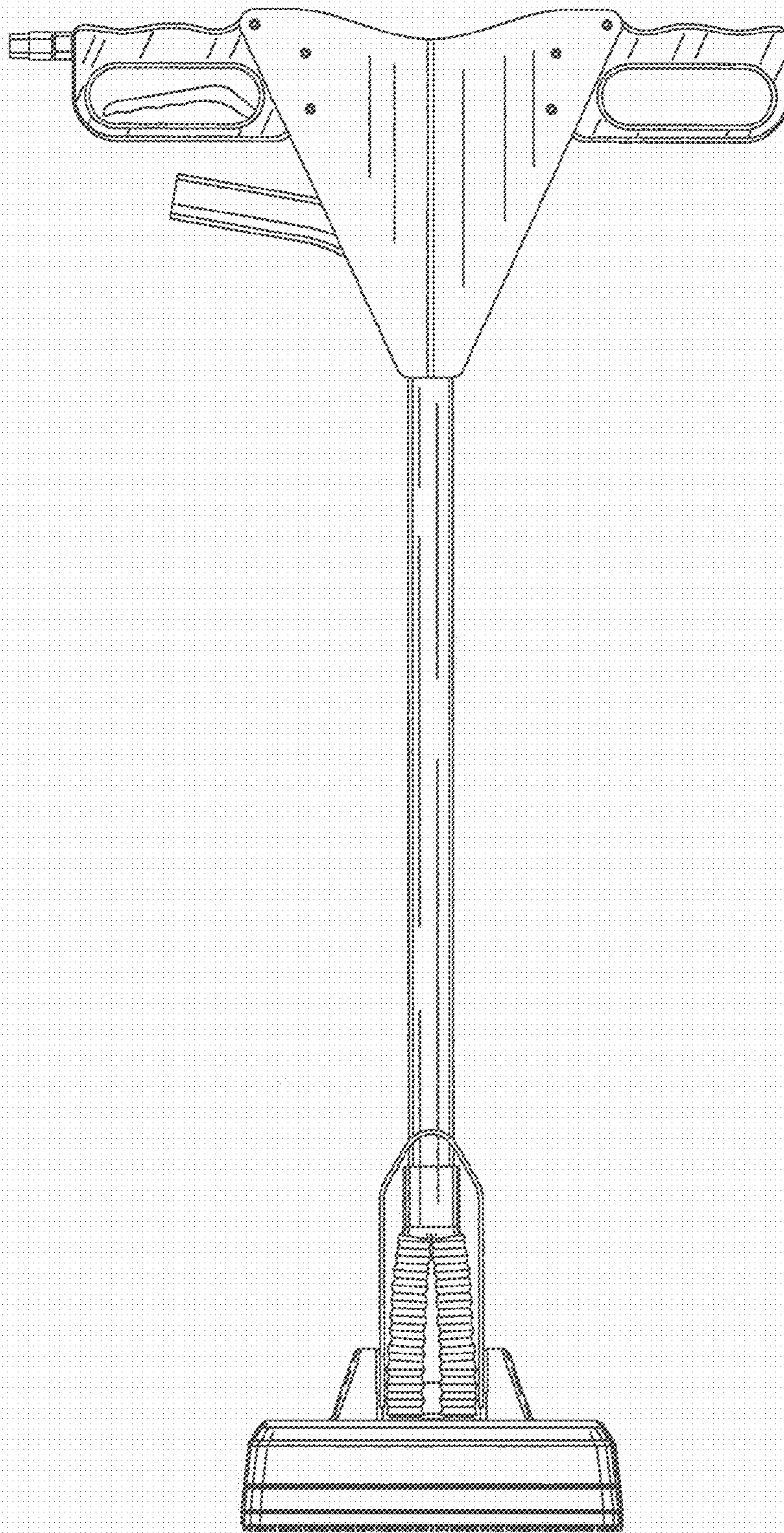


FIG. 2

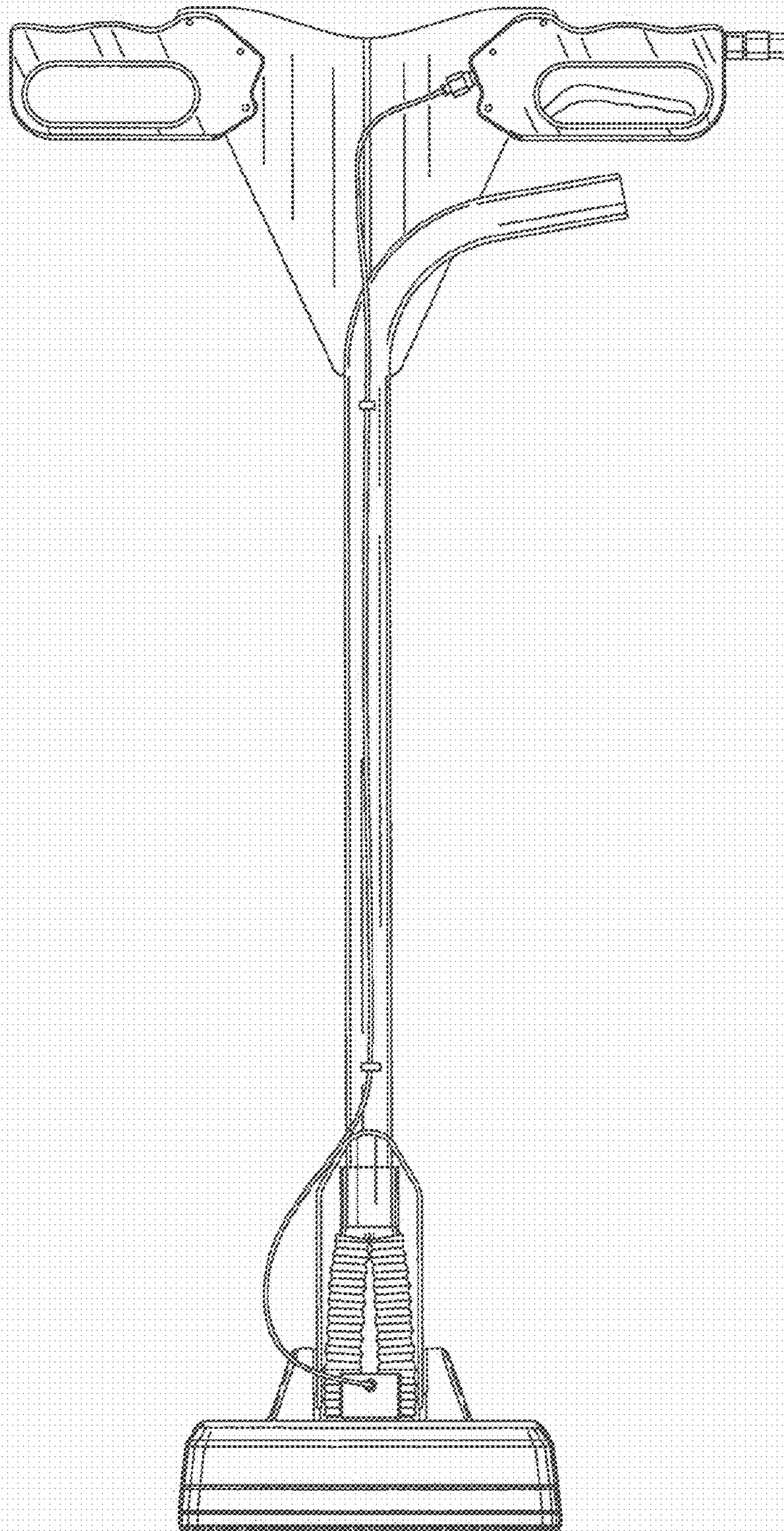


FIG. 3

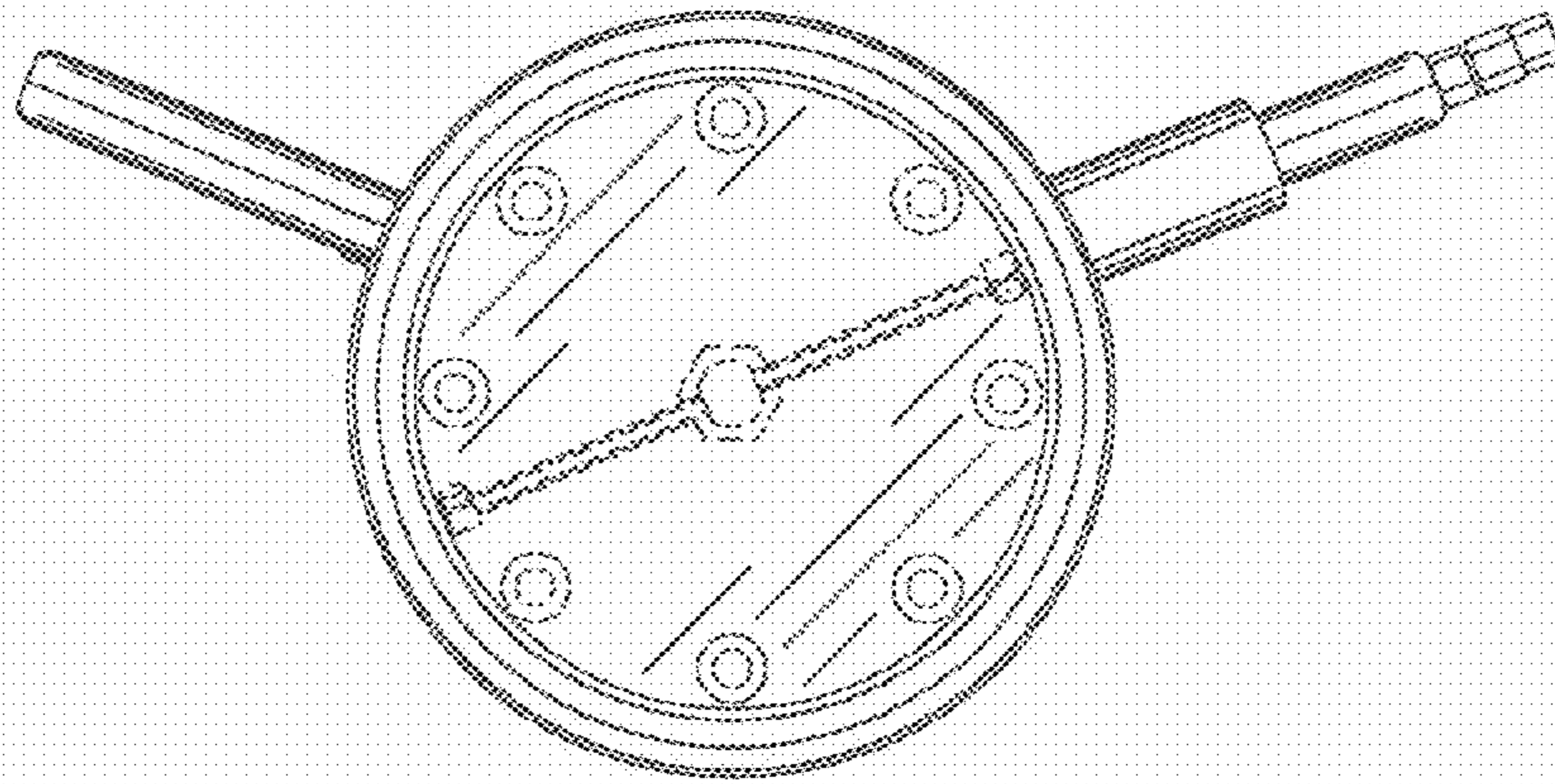


FIG. 5

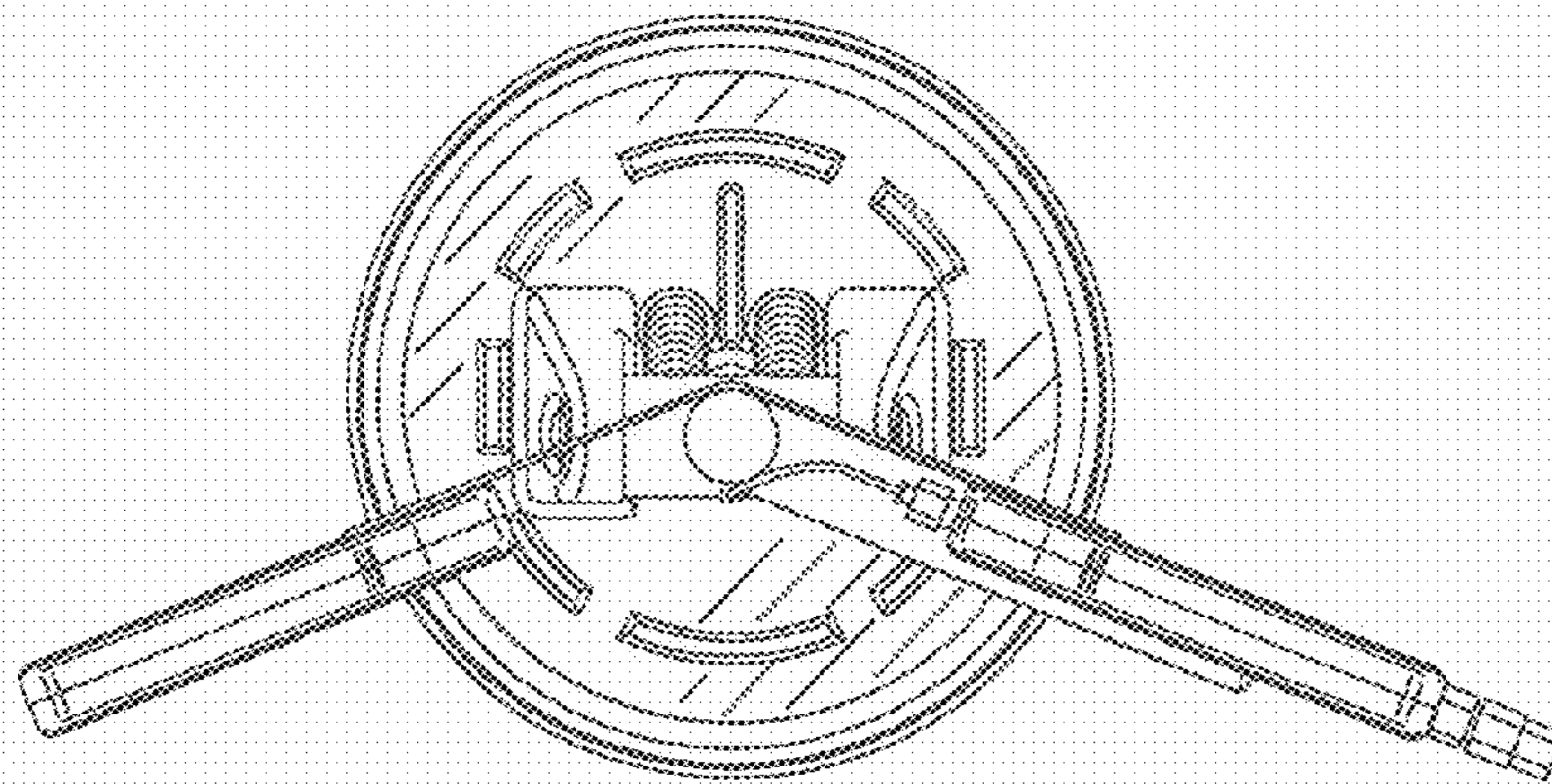


FIG. 4

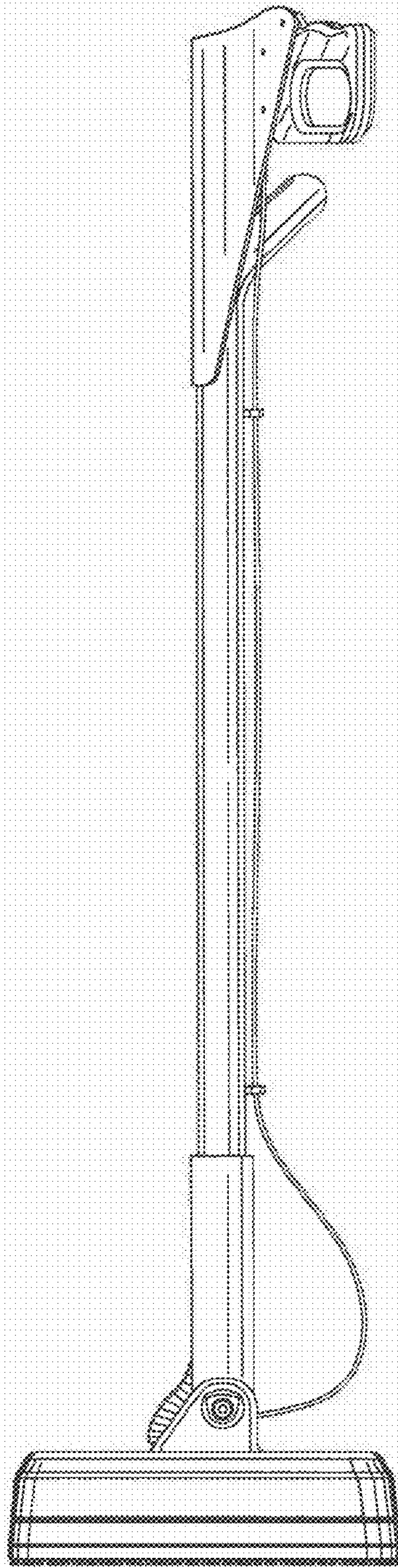


FIG. 6

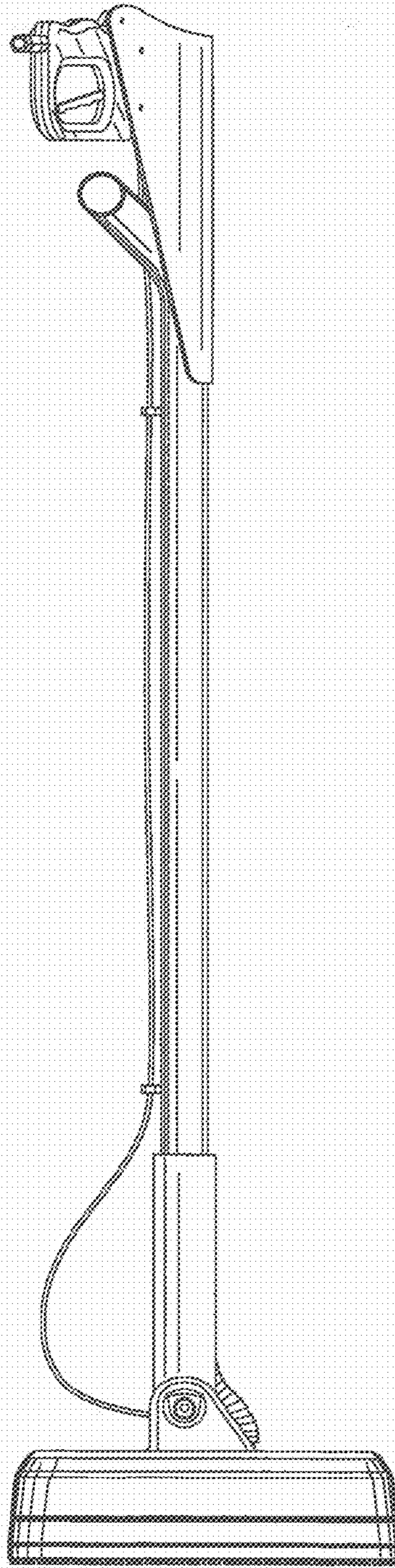


FIG. 7