



US00D694478S

(12) **United States Design Patent**
Ali

(10) **Patent No.:** **US D694,478 S**

(45) **Date of Patent:** **** Nov. 26, 2013**

(54) **LEASH**

(76) Inventor: **Waqar Ali**, East Elmhurst, NY (US)

(**) Term: **14 Years**

(21) Appl. No.: **29/389,481**

(22) Filed: **Apr. 12, 2011**

(51) **LOC (9) Cl.** **30-04**

(52) **U.S. Cl.**
USPC **D30/153**

(58) **Field of Classification Search**

USPC 318/257; D30/154, 160, 151, 199, 153,
D30/152; 119/707-712, 786-788, 791, 780,
119/782, 769-771, 792-799, 758, 760, 784,
119/802, 856, 857, 863, 865, 719, 859, 908,
119/776; D21/791, 840; D8/1, 14, 47;
248/121, 521, 545, 499, 145, 156, 508,
248/530, 125.1, 125.3, 125.8, 690;
211/205; 52/155, 166, 157, 162, 163;
135/118; 403/360, 378; 473/149, 147;
D26/138; 362/401; 410/101;
405/259.1, 244; 182/3; 24/523, 525,
24/299, 594.11, DIG. 35, 3.2, 600.7, 905;
D24/199; 54/71, 34; 267/113, 136, 34,
267/70-72; 16/66; 340/573.3, 668;
294/82.34, 19.1; 114/221 R; 441/75;
128/878, 882, DIG. 15;
D29/120.1-120.2, 100, 101.1; D2/627,
D2/624, 631

See application file for complete search history.

(56) **References Cited**

U.S. PATENT DOCUMENTS

2,821,168 A * 1/1958 Forbes 119/795
2,861,547 A * 11/1958 Dale 119/797
2,985,980 A * 5/1961 Broshous 42/94
3,603,295 A * 9/1971 Shuman 119/795
3,848,270 A * 11/1974 Rand 2/311

D253,676 S 12/1979 Mathieson
D273,440 S 4/1984 Fulwiler
4,601,161 A * 7/1986 Drellich 54/46.1
D285,865 S * 9/1986 Gamble D3/210
D291,151 S * 8/1987 Dugan D3/224
4,787,340 A * 11/1988 Kirtley 119/792
5,261,728 A * 11/1993 Carmichael 297/482
D366,149 S * 1/1996 Garza et al. D3/328
D367,949 S * 3/1996 Vallance D29/100
5,517,949 A * 5/1996 Harris et al. 119/795
D386,610 S * 11/1997 Wright D3/207
5,709,172 A * 1/1998 Maglich 119/797
5,732,661 A * 3/1998 Lagro 119/795
5,809,620 A * 9/1998 Crowley et al. 24/302
D401,137 S * 11/1998 Boelling D8/394
D407,867 S * 4/1999 Rubinstein D30/153
5,915,336 A * 6/1999 Watson 119/797
5,951,048 A * 9/1999 Slaughter 280/814

(Continued)

Primary Examiner — Susan Moon Lee

(74) *Attorney, Agent, or Firm* — QuickPatents; Kevin Prince

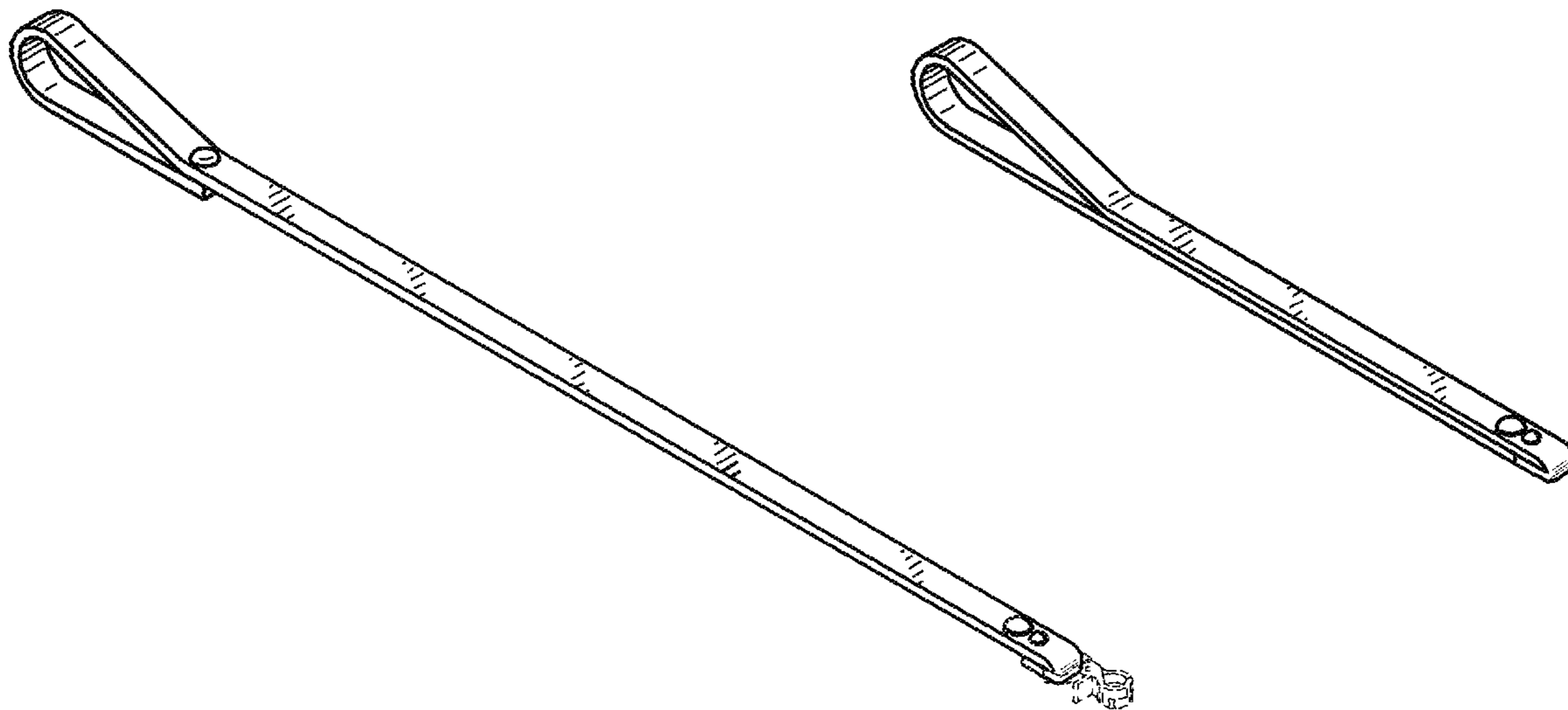
(57) **CLAIM**

I claim the ornamental design for a leash, as shown and described.

DESCRIPTION

FIG. 1 is a perspective view of a leash, showing the new design in an extended configuration;
FIG. 2 is a perspective view thereof, illustrated in a compact configuration;
FIG. 3 is a perspective view thereof in a flat configuration;
FIG. 4 is a front elevational view of FIG. 3;
FIG. 5 is a rear elevational view of FIG. 3;
FIG. 6 is a top plan view of FIG. 3;
FIG. 7 is a bottom plan view of FIG. 3;
FIG. 8 is an enlarged left-side elevational view of FIG. 3; and,
FIG. 9 is an enlarged right-side elevational view of FIG. 3.
Broken lines and unshaded portions contained within broken lines are not claimed.

1 Claim, 3 Drawing Sheets



(56)

References Cited

U.S. PATENT DOCUMENTS

D417,318 S *	11/1999	Lyons	D30/153	7,640,895 B2 *	1/2010	Fountoulakis et al.	119/795
D417,959 S *	12/1999	Albaugh et al.	D3/328	D615,303 S *	5/2010	Baron	D3/327
D437,995 S	2/2001	Perthou			D628,122 S	11/2010	Sanders		
D443,117 S *	5/2001	Rubin	D30/153	D629,331 S	12/2010	Kalbach		
6,223,694 B1 *	5/2001	Rubin	119/795	7,922,052 B2 *	4/2011	Podschus	224/572
D449,136 S *	10/2001	Vallance	D29/124	D638,330 S *	5/2011	Fahrendorff et al.	D11/200
D454,416 S *	3/2002	Kaplan	D30/153	D640,017 S *	6/2011	Mendelson	D30/153
6,360,747 B1 *	3/2002	Velarde et al.	128/869	D644,139 S *	8/2011	Kalbach	D11/3
D462,523 S	9/2002	Kalbach			D652,211 S *	1/2012	Morrison et al.	D3/255
D471,006 S *	3/2003	French	D3/221	D654,231 S *	2/2012	Clayton	D30/153
D477,709 S	7/2003	Natividad			D659,057 S *	5/2012	Patton et al.	D12/133
D482,298 S *	11/2003	Matsui et al.	D11/220	D660,740 S *	5/2012	Cullen et al.	D11/3
D484,283 S *	12/2003	Lam	D30/153	D669,233 S *	10/2012	Ranstead	D30/153
6,691,904 B2	2/2004	Pineda			8,295,533 B1 *	10/2012	Schachtman	381/385
D495,972 S *	9/2004	Pettingill	D11/220	D675,505 S *	2/2013	Rothbaum et al.	D8/356
D506,056 S	6/2005	Burns			D680,895 S *	4/2013	Akana et al.	D11/3
D506,709 S *	6/2005	Choi	D12/133	D681,504 S *	5/2013	Kalbach	D11/201
D509,065 S *	9/2005	Koenig	D3/327	D682,070 S *	5/2013	Rothbaum et al.	D8/356
6,971,334 B1 *	12/2005	Livesay et al.	119/798	8,458,864 B1 *	6/2013	Patton et al.	24/306
7,020,933 B2 *	4/2006	Chang	24/68 CD	2001/0047607 A1 *	12/2001	Harvanek	43/21.2
D541,523 S	5/2007	Zoullas et al.			2003/0160074 A1 *	8/2003	Pineda	223/81
D544,707 S	6/2007	Labelson			2004/0194733 A1 *	10/2004	Bremm	119/770
D551,427 S *	9/2007	Handley	D2/624	2005/0000470 A1 *	1/2005	Fountoulakis	119/769
7,290,312 B2 *	11/2007	Kawensky	24/301	2007/0084020 A1 *	4/2007	Chiu et al.	24/3.4
D557,008 S	12/2007	Stiller			2007/0175939 A1 *	8/2007	Gold et al.	224/576
7,516,591 B2 *	4/2009	Wolner et al.	52/698	2008/0110002 A1 *	5/2008	Calkin et al.	24/68 CD
					2008/0164157 A1 *	7/2008	Sween et al.	206/216
					2012/0167833 A1 *	7/2012	Clayton	119/795

* cited by examiner

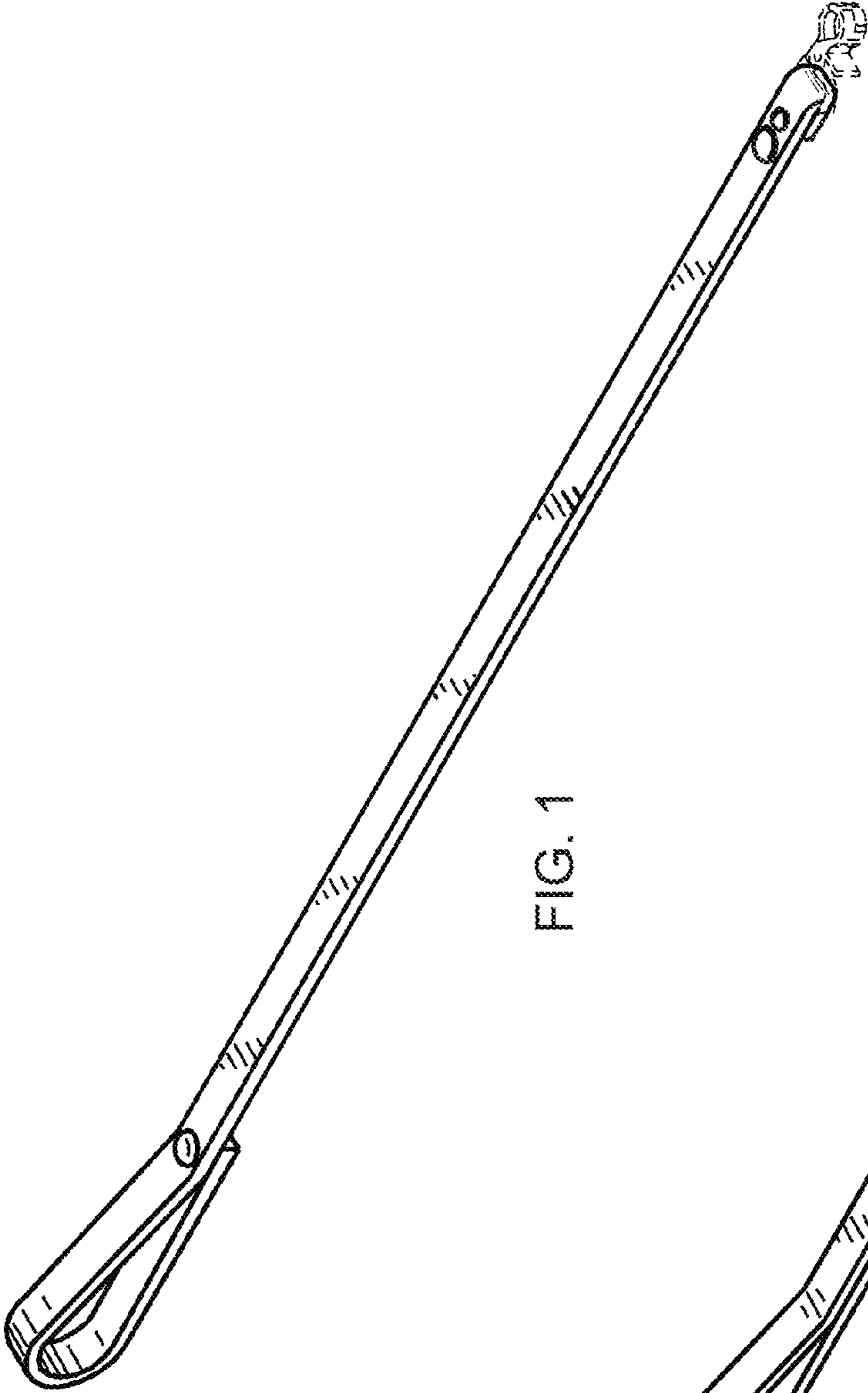


FIG. 1

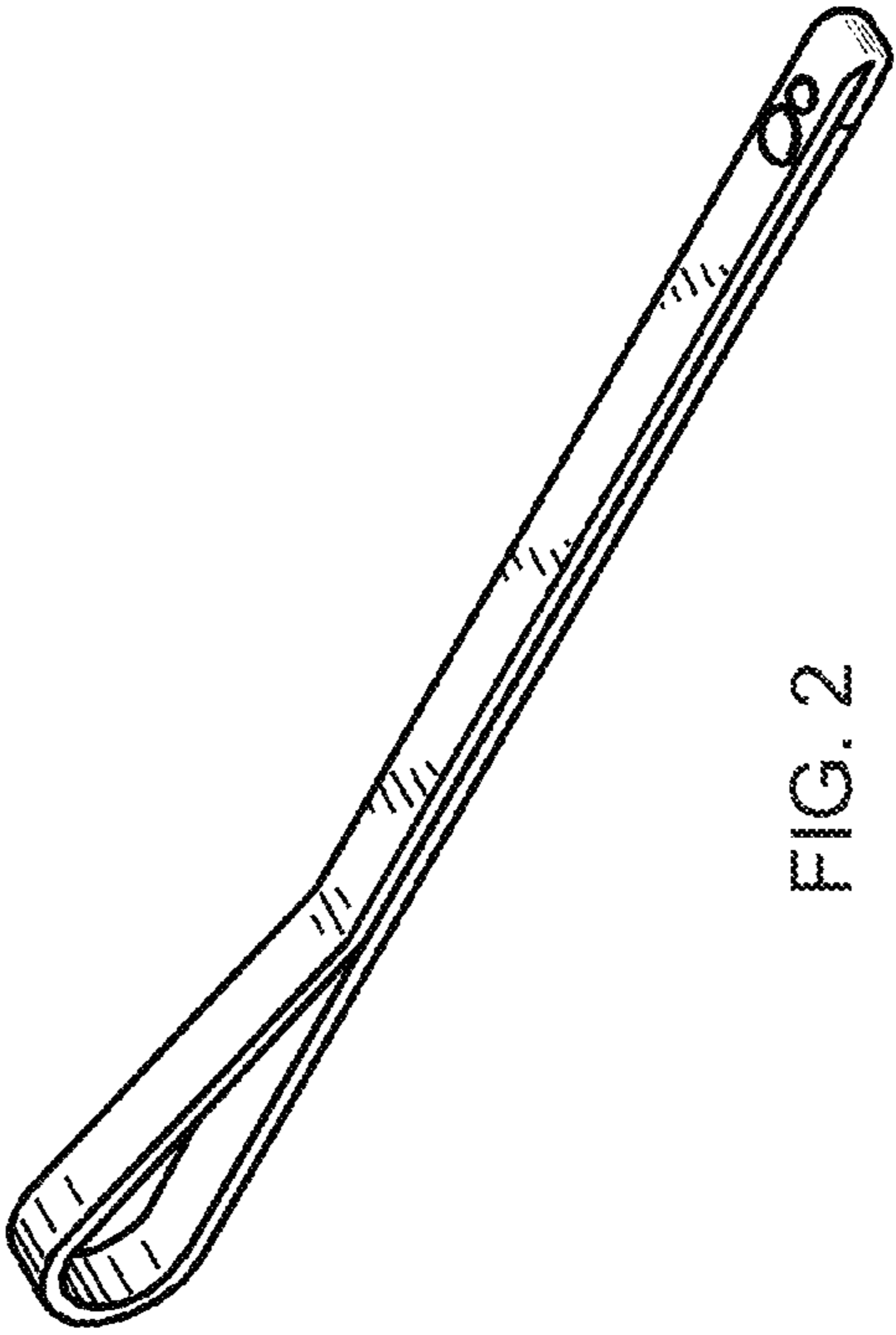


FIG. 2

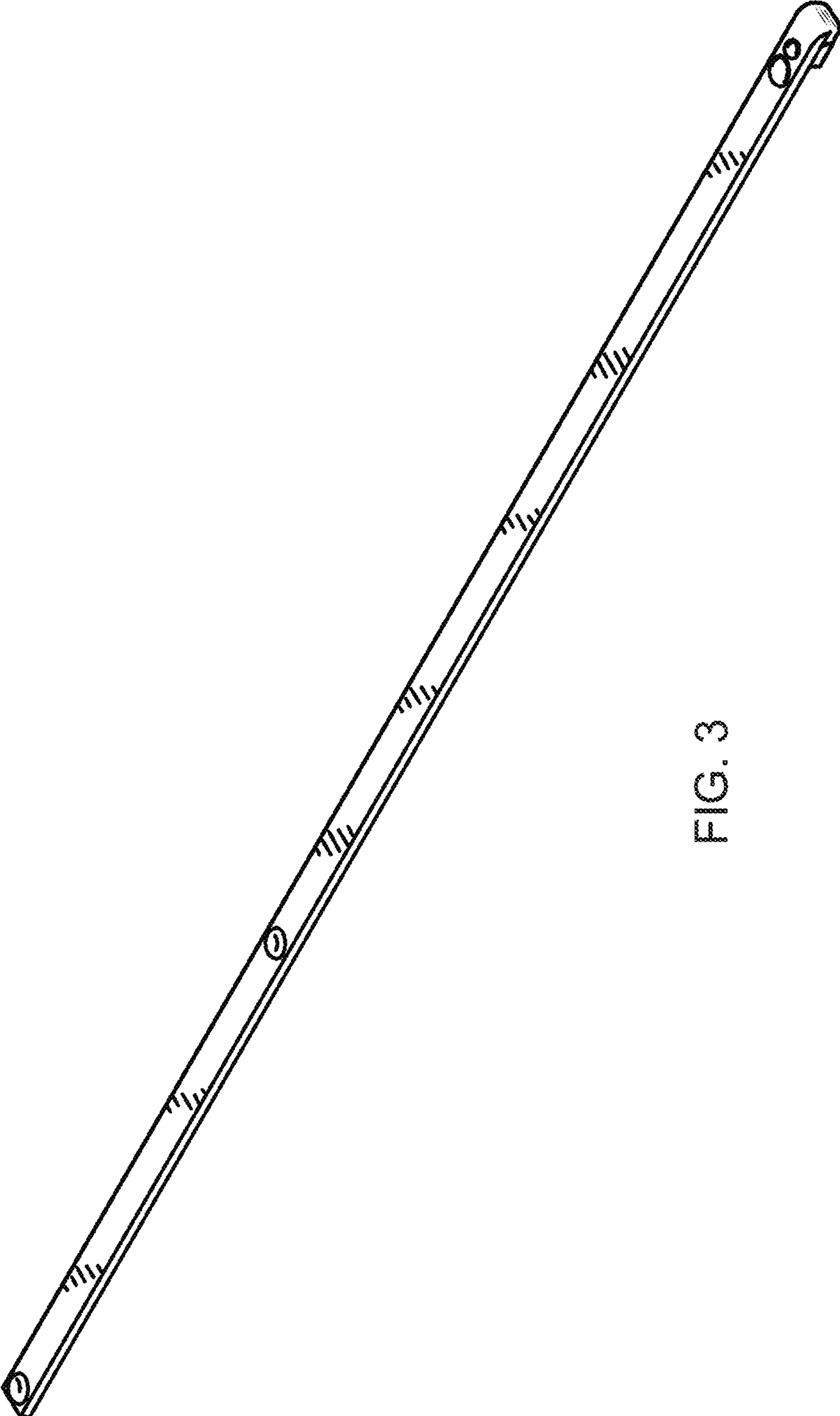


FIG. 3

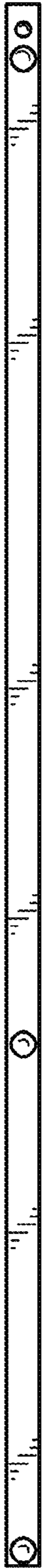


FIG. 4



FIG. 5

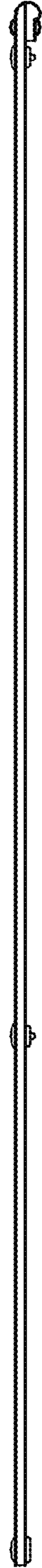


FIG. 6

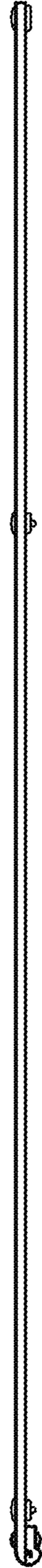


FIG. 7

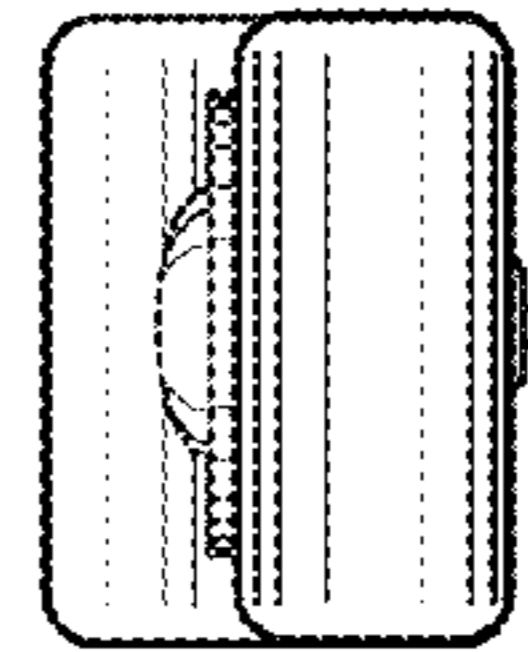


FIG. 8

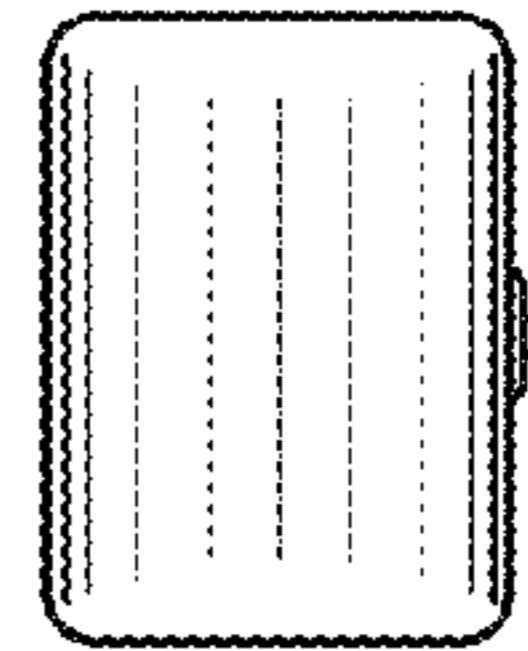


FIG. 9