



US00D694477S

(12) **United States Design Patent**
Rowe et al.

(10) **Patent No.:** **US D694,477 S**

(45) **Date of Patent:** **** Nov. 26, 2013**

(54) **PET WATER FOUNTAIN**

(71) Applicant: **Radio Systems Corp.**, Knoxville, TN (US)

(72) Inventors: **Sean Rowe**, Reno, NV (US); **Junzhou Huang**, Shenzhen (CN)

(**) Term: **14 Years**

(21) Appl. No.: **29/448,927**

(22) Filed: **Mar. 14, 2013**

(51) **LOC (9) Cl.** **30-03**

(52) **U.S. Cl.**
USPC **D30/132**

(58) **Field of Classification Search**
USPC D30/123, 129, 132, 121; 119/69.5, 673, 119/57.8, 68, 74, 61.57, 78-81, 61.4, 57.9, 119/51.5, 61.5, 72; 47/66.6, 39, 67, 83; 239/27, 280, 200, 281, 280.5, 273, 16, 239/17, 20, 22; 4/644, 627, 638; D7/558; D11/144, 145, 153; D99/5, 24; 27/1; D23/201, 292; 248/127, 132, 137, 138, 248/158, 910; 215/10; D6/353, 352, 484, D6/360, 480, 488; 219/521; 329/442, 459
See application file for complete search history.

(56) **References Cited**

U.S. PATENT DOCUMENTS

D30,528 S * 4/1899 Hightower D22/122
D31,784 S * 11/1899 Howle D7/360

(Continued)

OTHER PUBLICATIONS

Etsy website from ceramic pet bowl artist printed Mar. 26, 2013 (2 pages).
U.S. Appl. No. 29/449,001, filed Mar. 14, 2013 entitled Pet Water Fountain.

Primary Examiner — Susan Moon Lee

(74) *Attorney, Agent, or Firm* — Peter L. Brewer; Baker, Donelson, Bearman, Caldwell & Berkowitz, PC

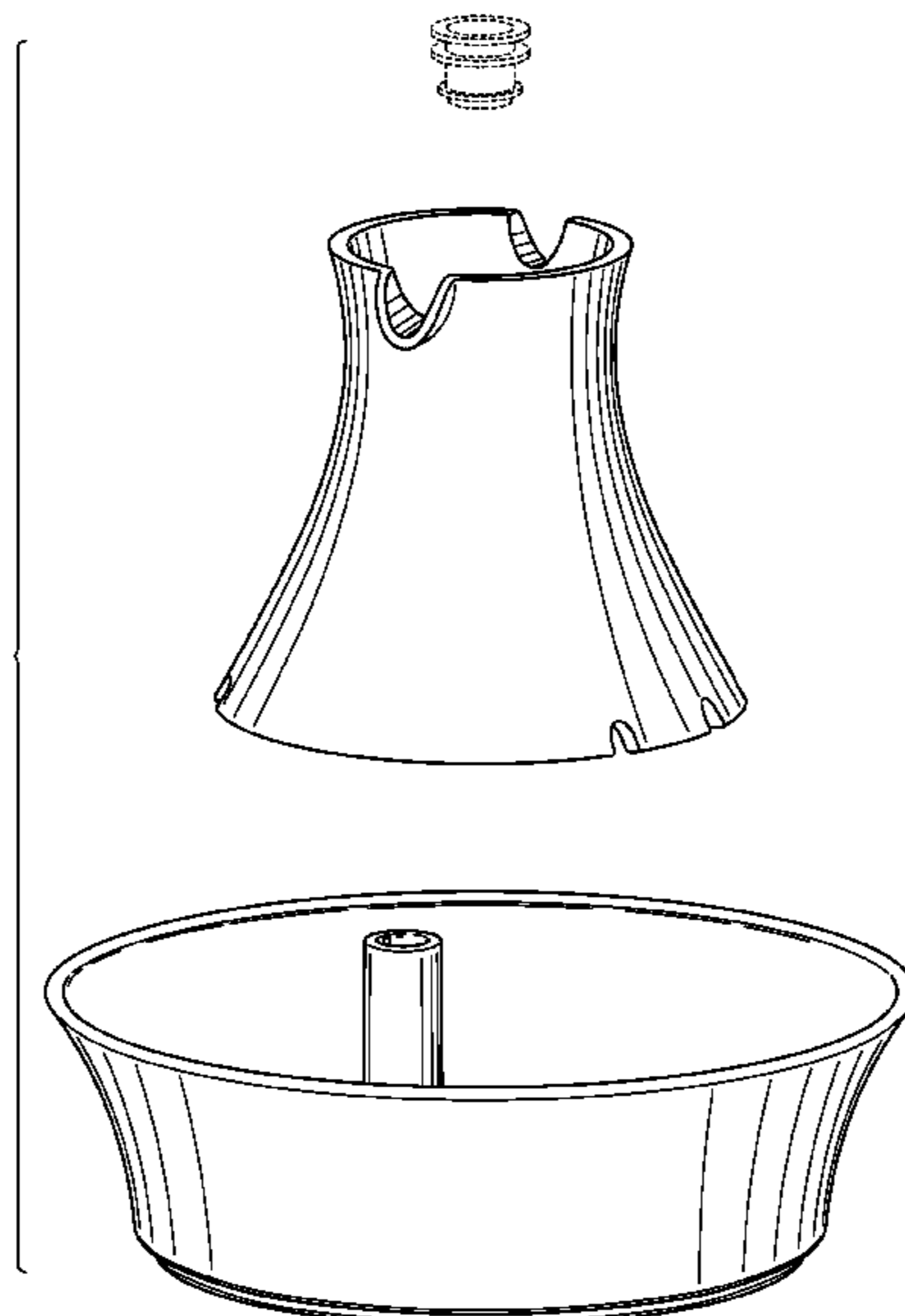
(57) **CLAIM**

We claim the ornamental design for a pet water fountain, as shown and described.

DESCRIPTION

FIG. 1 is an exploded perspective view showing our new design for a pet water fountain;
FIG. 2 is a perspective view showing just the bowl for the pet water fountain of FIG. 1. The view is seen from a first direction.
FIG. 3 is a second perspective view of the bowl for the pet water fountain of FIGS. 1 and 2. The view is seen from a second opposite direction wherein a bottom of the bowl is visible.
FIG. 4 is a front view of the bowl of FIGS. 2 and 3. The back view is identical to the front view.
FIG. 5 is a right side view of the bowl of FIGS. 2 and 3. The left side elevation view is a mirror image of the right side.
FIG. 6 is a top or plan view of the bowl of FIGS. 2 and 3.
FIG. 7 is a cross-sectional view of the bowl of FIG. 6, taken across line A-A.
FIG. 8 is a bottom view of the bowl of FIGS. 2 and 3.
FIG. 9 is a perspective view of just the tower for the pet water fountain of FIG. 1.
FIG. 10 is a front view of the tower for the pet water fountain of FIG. 9. The back view is identical to the front view.
FIG. 11 is a right side view of the tower of FIG. 9. The left side elevation view is identical to the right side.
FIG. 12 is a top or plan view of the tower of FIG. 9.
FIG. 13 is a cross-sectional view of the tower of FIG. 12, taken across line A-A; and,
FIG. 14 is a bottom view of the tower of FIG. 9.
Broken lines and portions contained within broken lines are not claimed.

1 Claim, 7 Drawing Sheets



(56)

References Cited

U.S. PATENT DOCUMENTS

D42,061 S * 12/1911 Quebe D30/132
 1,226,594 A * 5/1917 Pruefert 119/77
 1,278,285 A 9/1918 Allen
 1,469,340 A * 10/1923 Shortell 119/52.1
 1,481,365 A 1/1924 Ehgel
 1,785,921 A * 12/1930 Thompson et al. 119/77
 2,034,968 A 3/1936 Bartlett
 2,103,653 A 12/1937 Weil
 D126,997 S * 5/1941 Bentzen et al. D30/129
 D130,080 S * 10/1941 Wynkoop D7/553.6
 2,366,766 A 1/1945 Brodsky
 2,510,252 A 1/1945 Pine
 2,510,446 A 6/1950 Weil
 D161,154 S * 12/1950 Bartholomew D23/201
 2,572,379 A 10/1951 Pearse
 2,678,630 A 5/1954 Frederiksen
 2,726,636 A 12/1955 Frederiksen
 2,775,227 A 12/1956 Millies
 2,808,028 A * 10/1957 Landgraf 119/53
 2,878,781 A 3/1959 Wingfield
 3,179,085 A 4/1965 McKillip
 3,196,777 A * 7/1965 Luker 249/142
 3,203,397 A * 8/1965 Henry 119/53
 3,228,377 A 1/1966 Grassano
 3,272,181 A 9/1966 Ramsey
 3,399,858 A * 9/1968 Luker 249/117
 3,459,159 A 8/1969 Reed
 3,491,724 A * 1/1970 Sunner 119/61.54
 3,505,978 A 4/1970 Nilsen
 3,537,430 A 11/1970 Peppler
 D220,230 S * 3/1971 Friedman D28/93
 D221,650 S * 8/1971 Gruber D23/201
 3,777,714 A 12/1973 Danielsson
 3,831,558 A 8/1974 Forbes
 3,868,926 A 3/1975 Olde
 3,901,191 A 8/1975 Smith
 3,903,845 A 9/1975 Little
 D241,567 S * 9/1976 Clarke D11/152
 4,022,159 A 5/1977 Salvia
 4,098,229 A 7/1978 Haynes et al.
 4,248,177 A 2/1981 Peterson et al.
 4,268,992 A * 5/1981 Scharf, Sr. 47/32.4
 4,347,809 A 9/1982 Glogglar
 4,348,831 A * 9/1982 Chambers 47/32
 4,386,582 A 6/1983 Adsit
 D273,430 S * 4/1984 Salinas D30/130
 4,469,049 A 9/1984 Waynik
 4,573,433 A 3/1986 Thompson
 4,584,966 A 4/1986 Moore
 4,705,216 A 11/1987 Kaffa et al.
 4,747,538 A 5/1988 Dunn et al.
 4,807,565 A 2/1989 Hawthorne
 4,836,142 A 6/1989 Duback
 D302,750 S * 8/1989 Brembeck et al. D30/122
 D304,659 S * 11/1989 Asner D7/505
 4,924,812 A 5/1990 Bernays
 4,976,220 A 12/1990 Gershman
 4,991,345 A * 2/1991 Bloch 47/79
 D322,911 S * 1/1992 Schmengler D7/359
 D323,268 S * 1/1992 Reiman D8/1
 5,125,363 A * 6/1992 McGaha 119/51.5
 5,167,368 A 12/1992 Nash
 5,253,609 A * 10/1993 Partelow et al. 119/61.53
 5,277,149 A * 1/1994 East 119/51.5
 5,301,602 A * 4/1994 Ryczek 99/345
 5,329,876 A 7/1994 Tracy
 D350,842 S 9/1994 VanSkiver
 5,423,451 A * 6/1995 Snyder 220/574
 D360,112 S * 7/1995 McEntee D7/584
 5,441,164 A * 8/1995 Beck et al. 220/575
 5,456,044 A * 10/1995 Parker et al. 47/21.1
 D367,735 S 3/1996 VanSkiver et al.
 5,501,178 A 3/1996 Kemp
 D369,717 S * 5/1996 Chiba D7/354

D374,516 S 10/1996 Lillelund et al.
 D374,952 S * 10/1996 Wenstrand D30/132
 5,575,198 A * 11/1996 Lowery 99/426
 5,628,276 A * 5/1997 Raposa 119/61.54
 5,637,361 A 6/1997 Scheurich
 D383,797 S 9/1997 Finnegan
 5,676,050 A * 10/1997 Beck 99/428
 D389,011 S * 1/1998 DeCoster D7/387
 D394,301 S * 5/1998 Fisher D23/201
 5,799,609 A 9/1998 Burns et al.
 5,842,437 A 12/1998 Burns
 D412,297 S * 7/1999 Roach D11/152
 6,055,934 A 5/2000 Burns et al.
 6,079,361 A * 6/2000 Howell et al. 119/72
 D428,217 S 7/2000 Rodack et al.
 6,149,070 A 11/2000 Hones
 D435,321 S 12/2000 Avila
 D437,522 S * 2/2001 Measom D7/354
 D444,676 S * 7/2001 Murphy D7/553.6
 6,272,976 B1 * 8/2001 Berryman 99/340
 6,289,795 B1 * 9/2001 McLemore et al. 99/400
 D453,308 S * 2/2002 McCauley D11/152
 D453,488 S * 2/2002 McCauley D11/152
 D457,692 S 5/2002 Skurdalsvold et al.
 6,460,483 B1 10/2002 Northrop et al.
 6,467,399 B1 * 10/2002 Boutte 99/347
 6,502,501 B1 * 1/2003 Simon 99/345
 6,502,503 B1 * 1/2003 Bell et al. 99/419
 6,622,657 B2 9/2003 Northrop et al.
 D485,710 S * 1/2004 Burkhart et al. D6/491
 D488,741 S * 4/2004 Moya D11/143
 6,748,669 B1 6/2004 Taylor
 D498,432 S * 11/2004 Fan D11/152
 6,860,229 B1 * 3/2005 Craft 119/61.5
 D504,581 S * 5/2005 Kim et al. D6/457
 D507,755 S * 7/2005 Reitze D9/737
 D513,930 S * 1/2006 Novi D7/409
 D522,807 S * 6/2006 Dow et al. D7/409
 7,089,881 B2 8/2006 Plante
 D527,954 S * 9/2006 Roth D7/557
 D558,519 S * 1/2008 Zemel D7/409
 D559,472 S * 1/2008 Abinanti et al. D30/129
 D576,837 S * 9/2008 Le Vavasseeure D7/412
 D587,529 S * 3/2009 Pratt D7/555
 D591,105 S * 4/2009 Hodges D7/409
 D602,653 S * 10/2009 Mendenhall D30/130
 7,607,915 B2 * 10/2009 Adair et al. 431/292
 7,690,585 B1 * 4/2010 Johns et al. 239/16
 7,757,636 B2 7/2010 McCallum et al.
 7,879,381 B2 * 2/2011 Dow et al. 426/523
 D636,539 S * 4/2011 Montoya D30/129
 7,918,186 B2 4/2011 Rowe et al.
 D637,770 S 5/2011 Lipscomb et al.
 7,958,844 B1 6/2011 Northrop
 D642,745 S 8/2011 Veness et al.
 D642,746 S 8/2011 Weber
 7,987,817 B2 8/2011 Johnson
 8,096,266 B2 * 1/2012 Rowe 119/74
 D657,612 S * 4/2012 Cloutier et al. D7/354
 D658,819 S 5/2012 Lipscomb et al.
 D659,914 S 5/2012 Lipscomb
 D665,134 S 8/2012 Lipscomb et al.
 D665,870 S * 8/2012 Fang D23/201
 8,245,665 B2 8/2012 Willett
 D671,355 S * 11/2012 Zmrhal D7/360
 D677,018 S 2/2013 Miller et al.
 8,381,685 B2 2/2013 Lipscomb et al.
 8,387,566 B2 * 3/2013 Graves et al. 119/72
 D681,887 S * 5/2013 Fang D30/132
 D681,888 S * 5/2013 Fang D30/132
 D682,481 S * 5/2013 Krueger D30/124
 D689,245 S * 9/2013 Rowe et al. D30/132
 2002/0195001 A1 * 12/2002 Hester 99/345
 2004/0200359 A1 * 10/2004 Snider 99/446
 2005/0211806 A1 * 9/2005 Ng 241/169.1
 2011/0067638 A1 * 3/2011 Lipscomb et al. 119/74

* cited by examiner

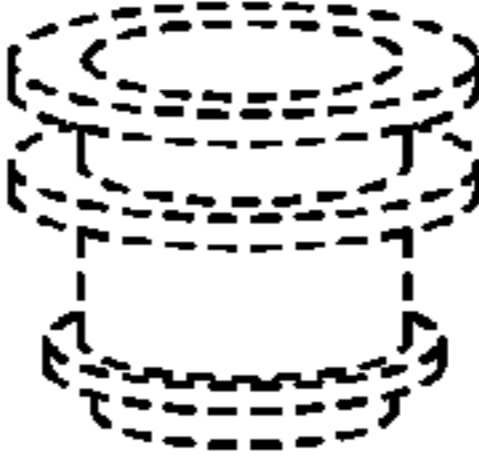
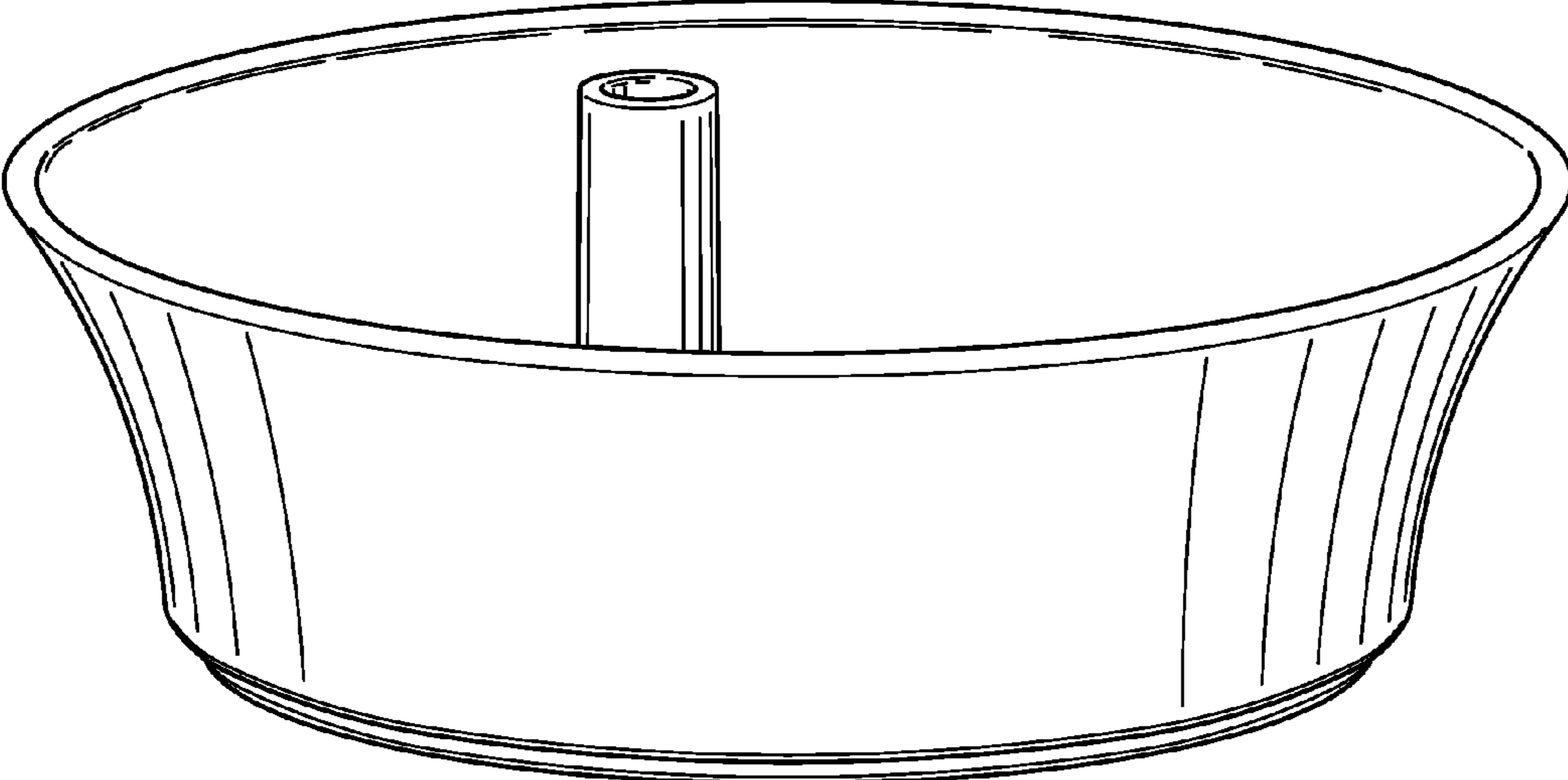
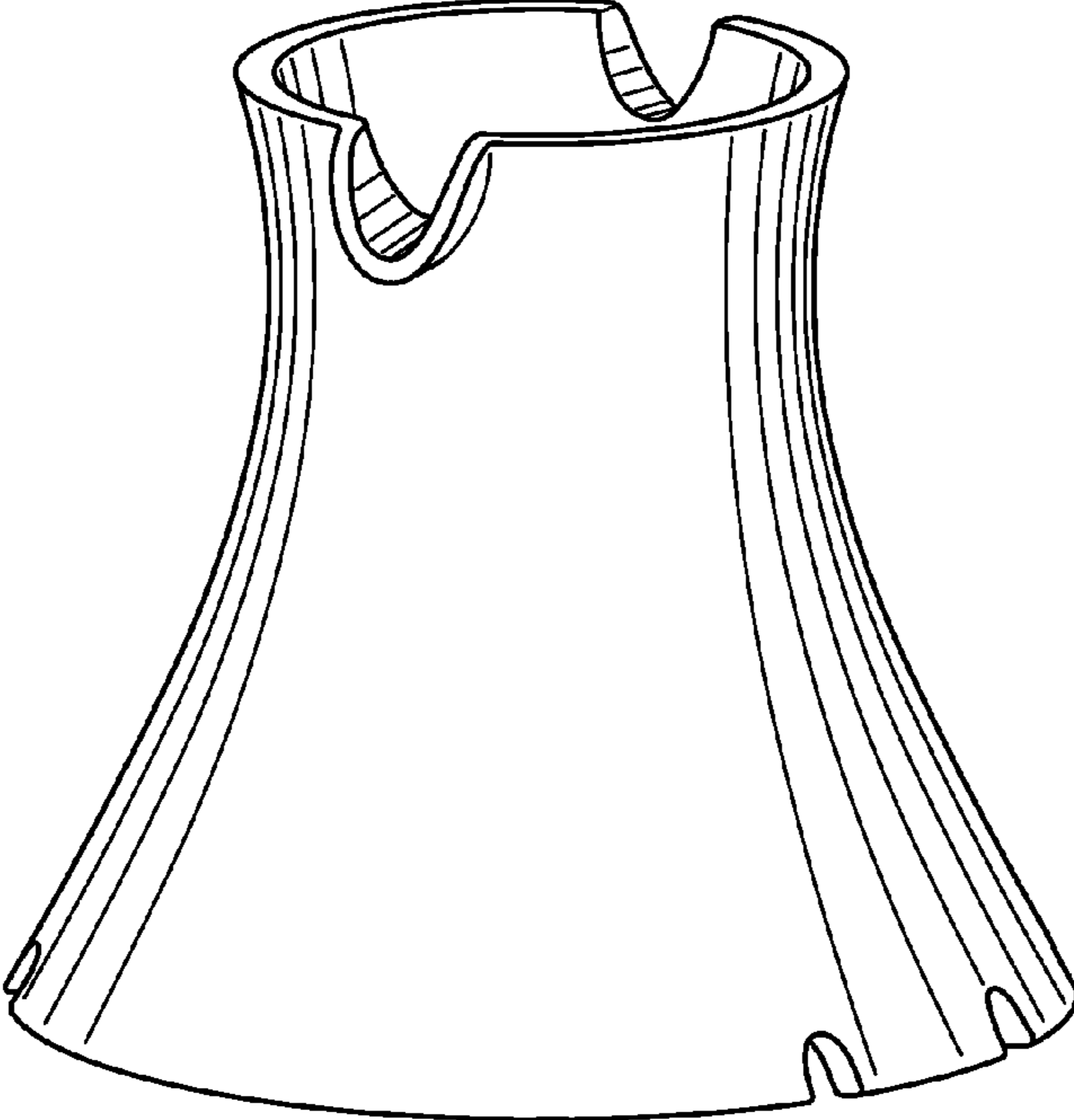


FIG. 1



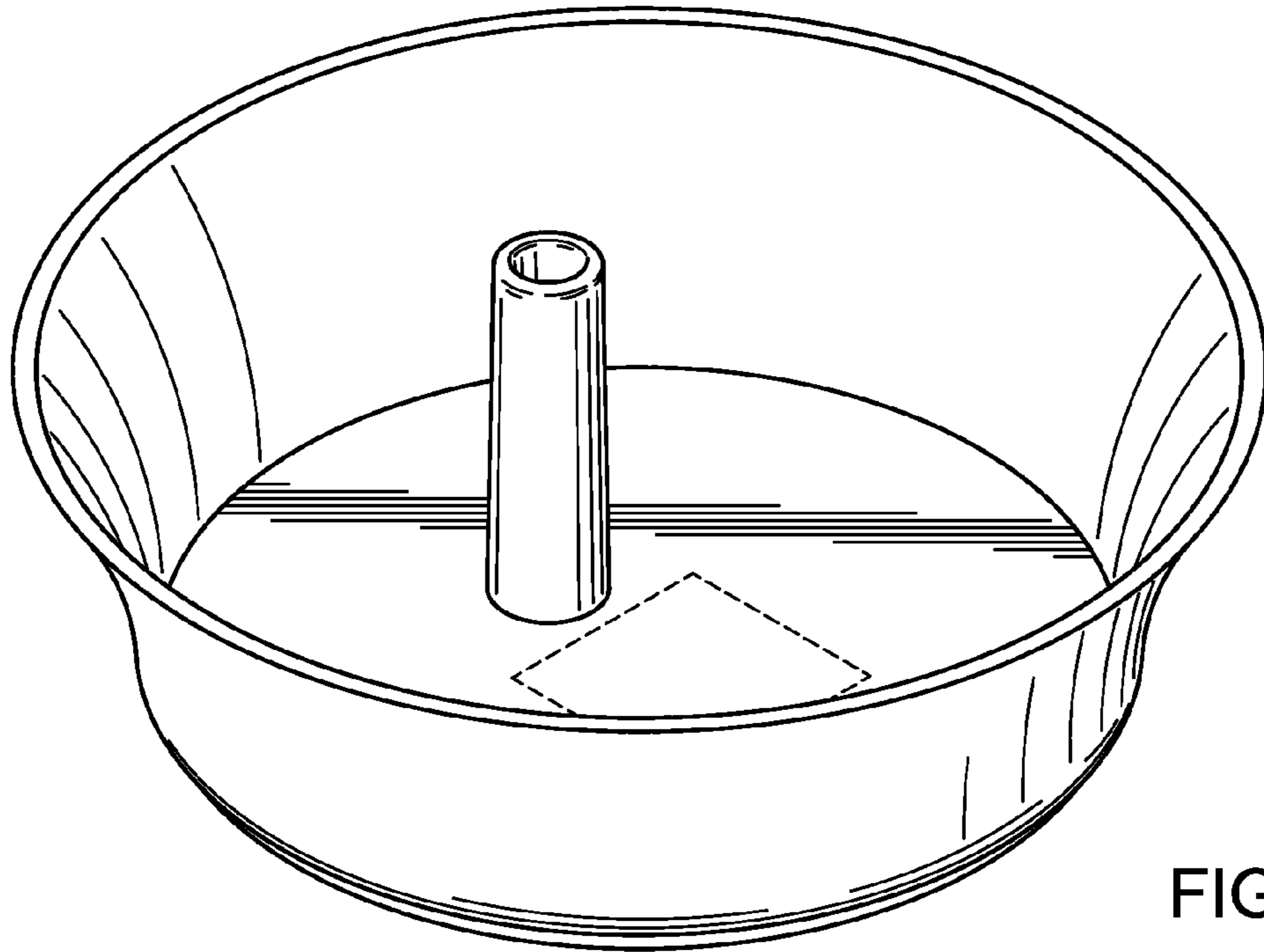


FIG. 2

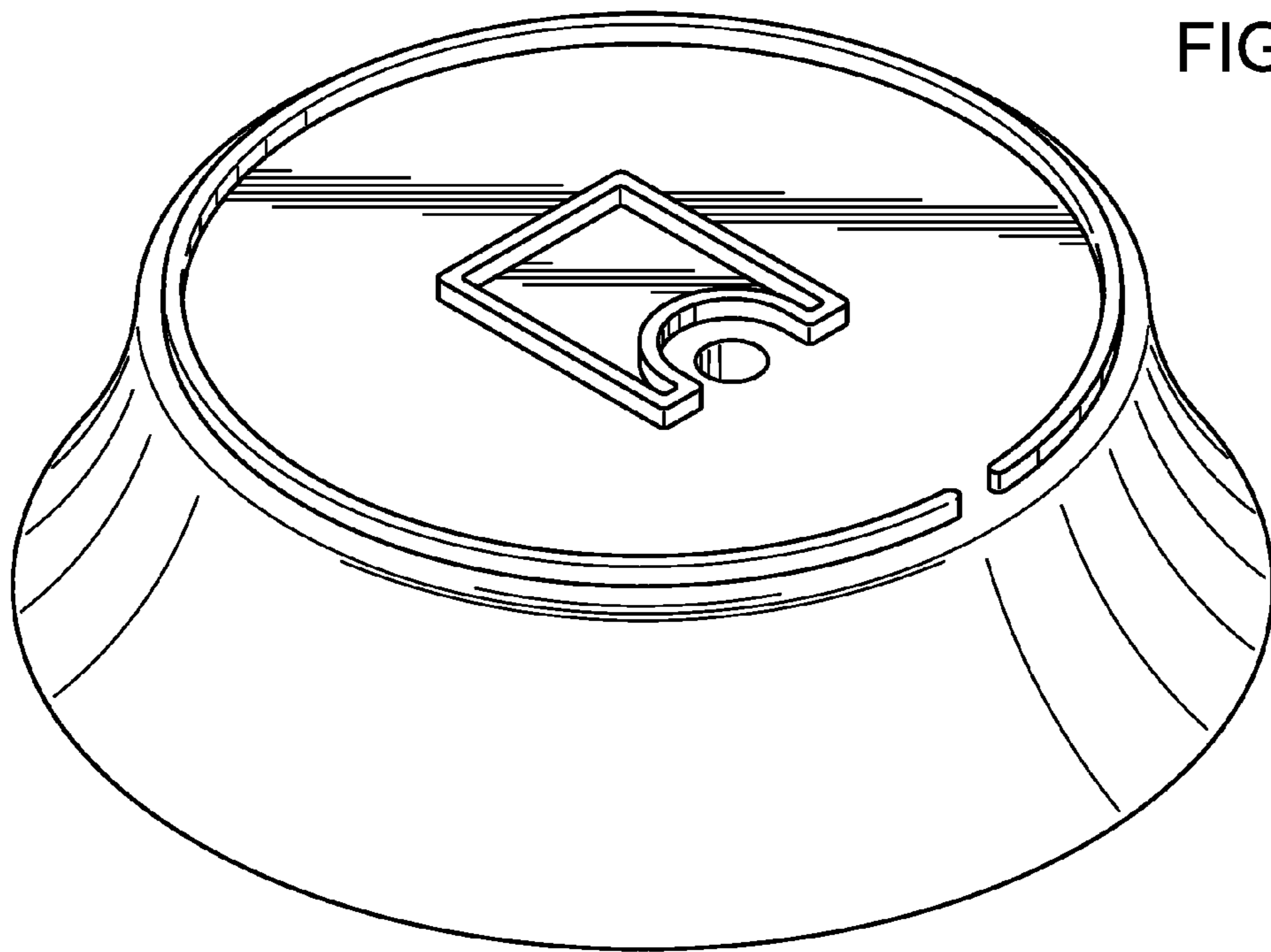


FIG. 3

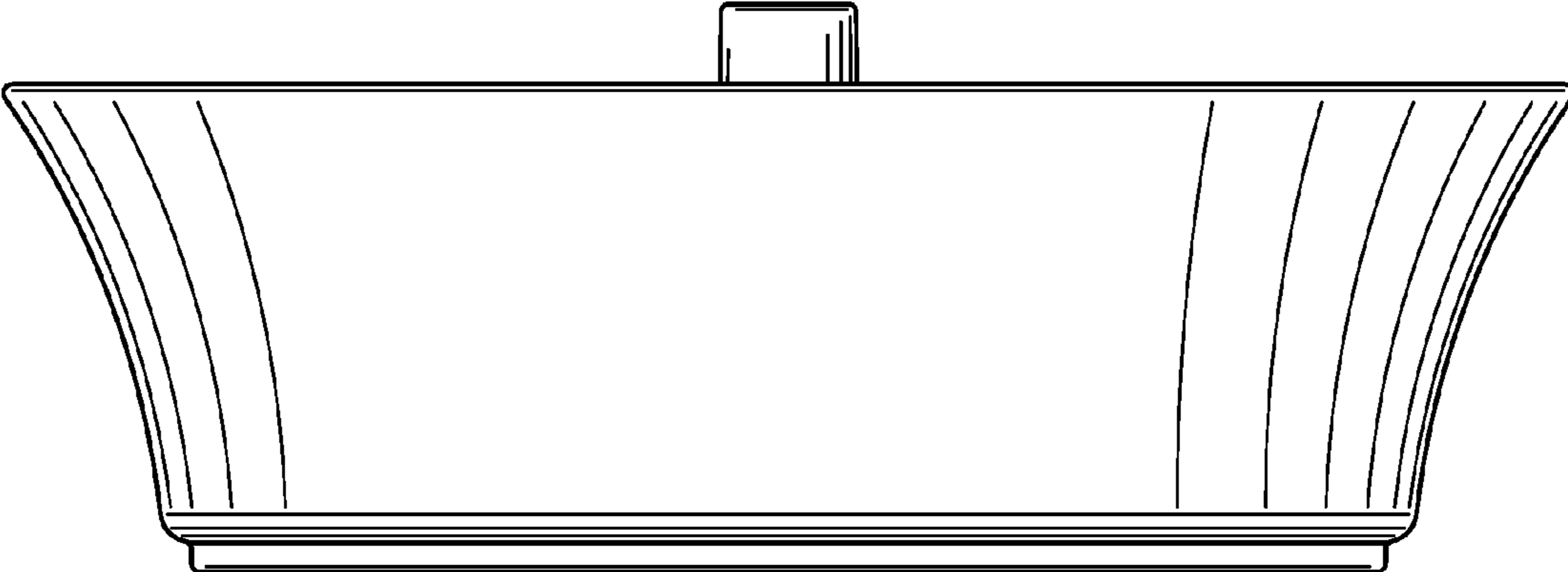


FIG. 4

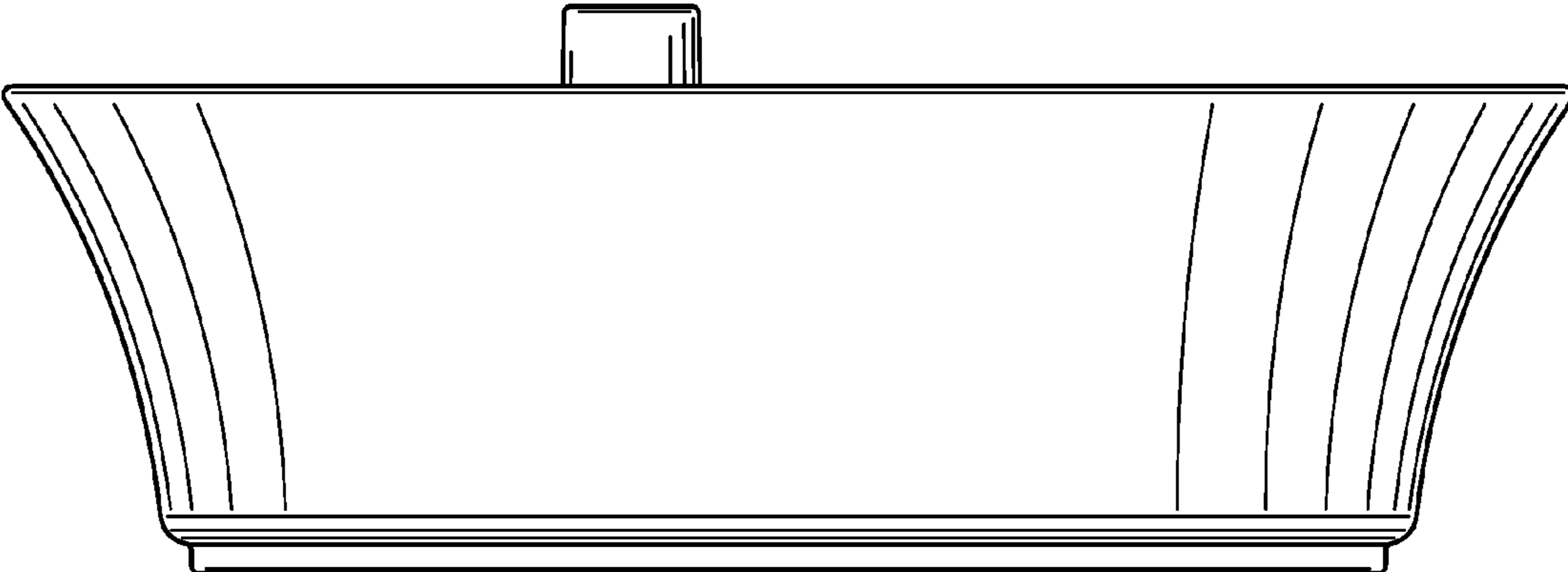


FIG. 5

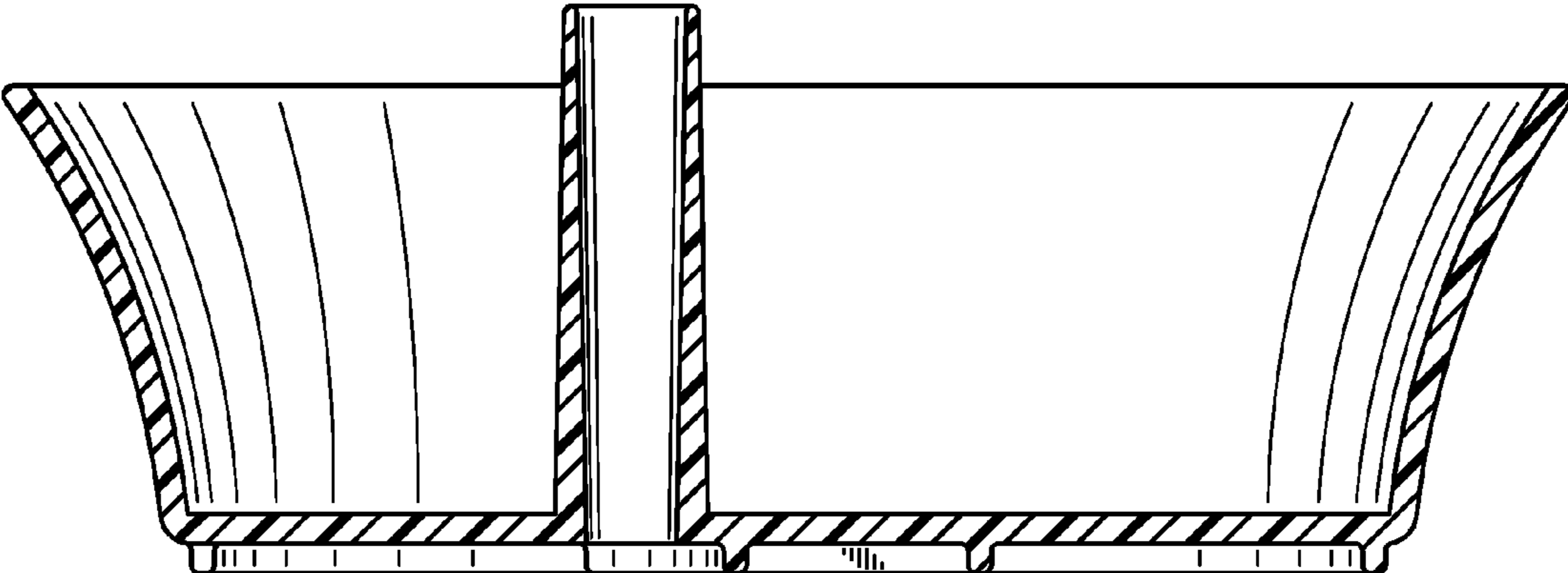


FIG. 7

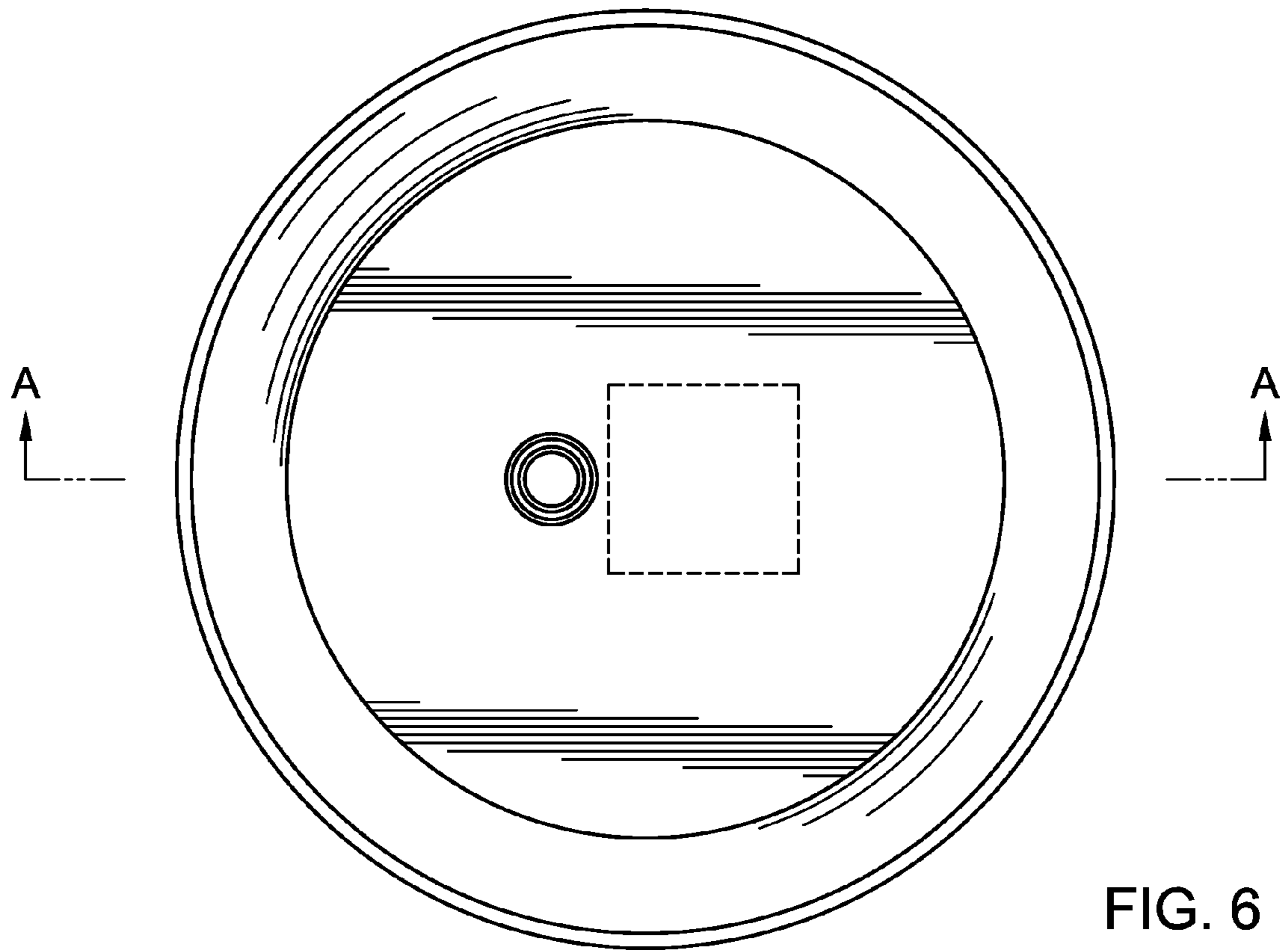


FIG. 6

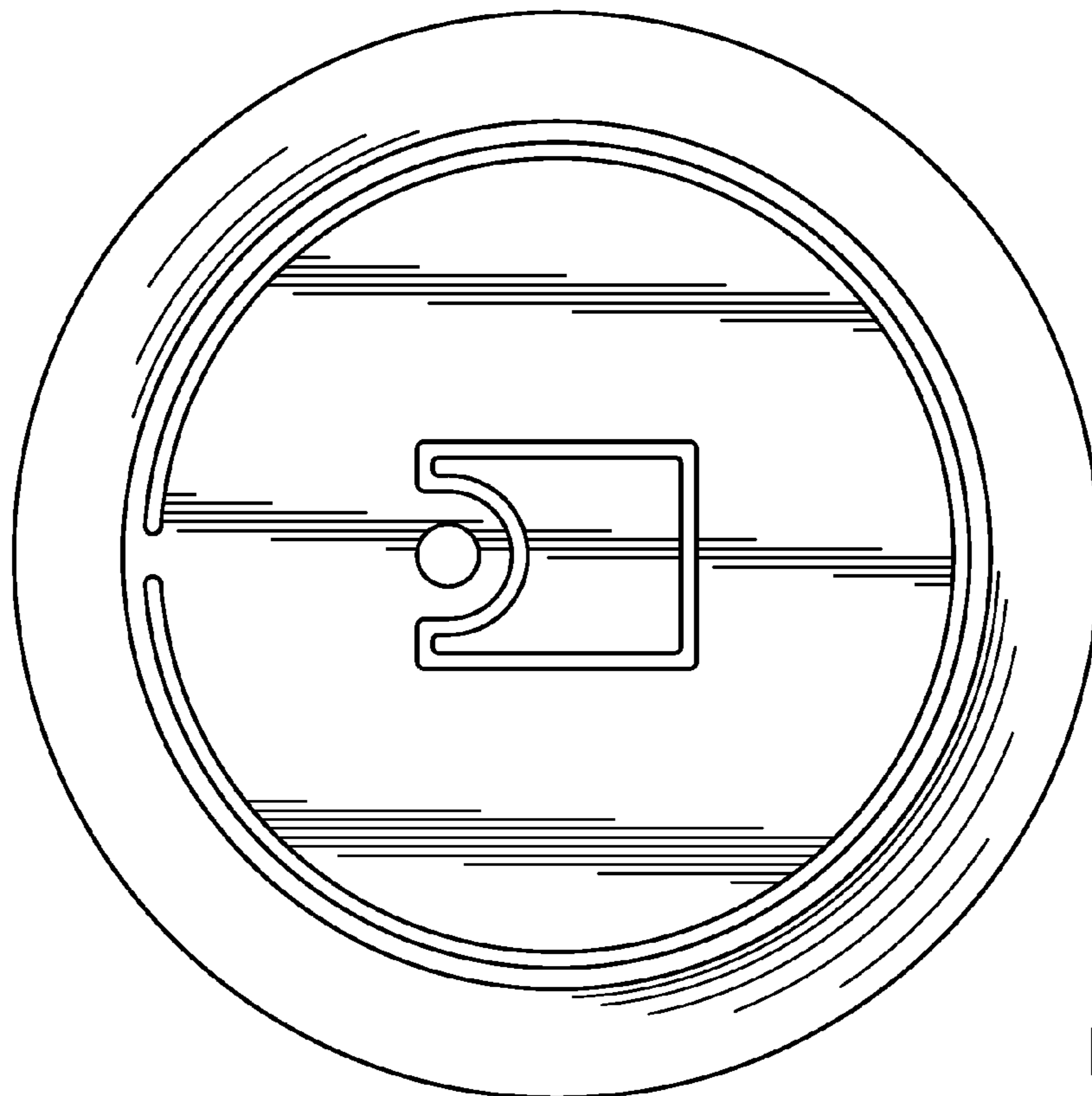


FIG. 8

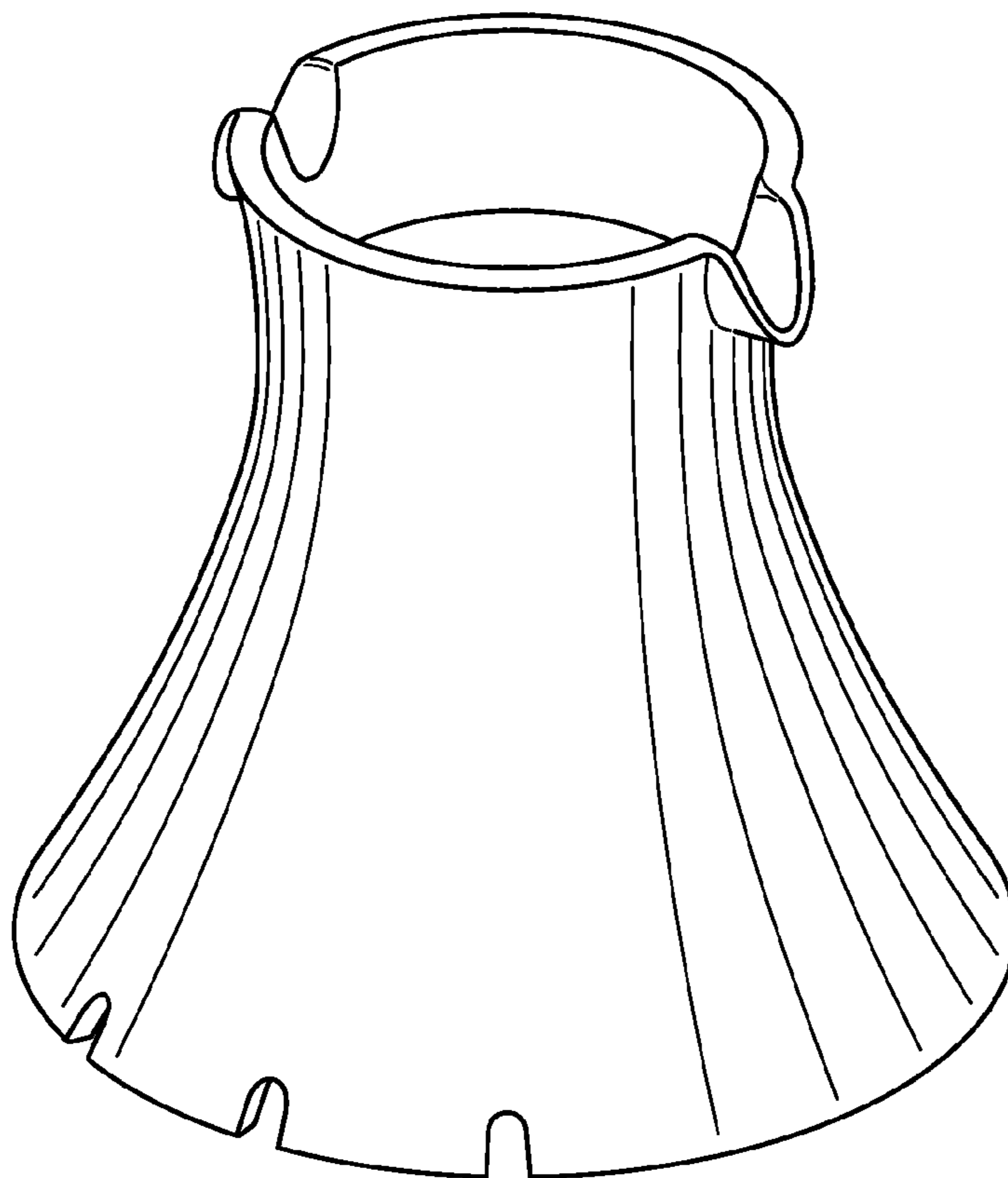


FIG. 9

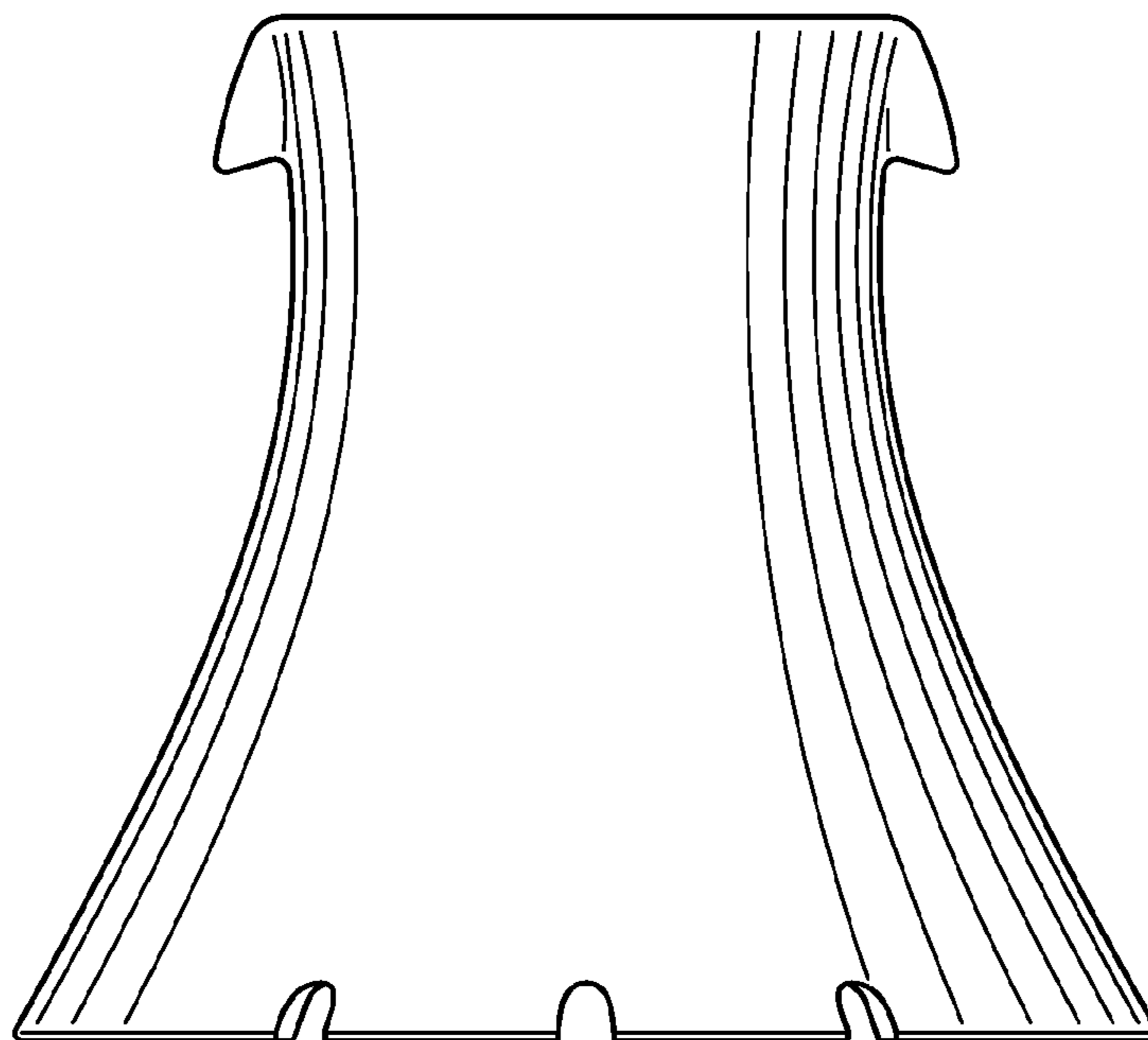


FIG. 10

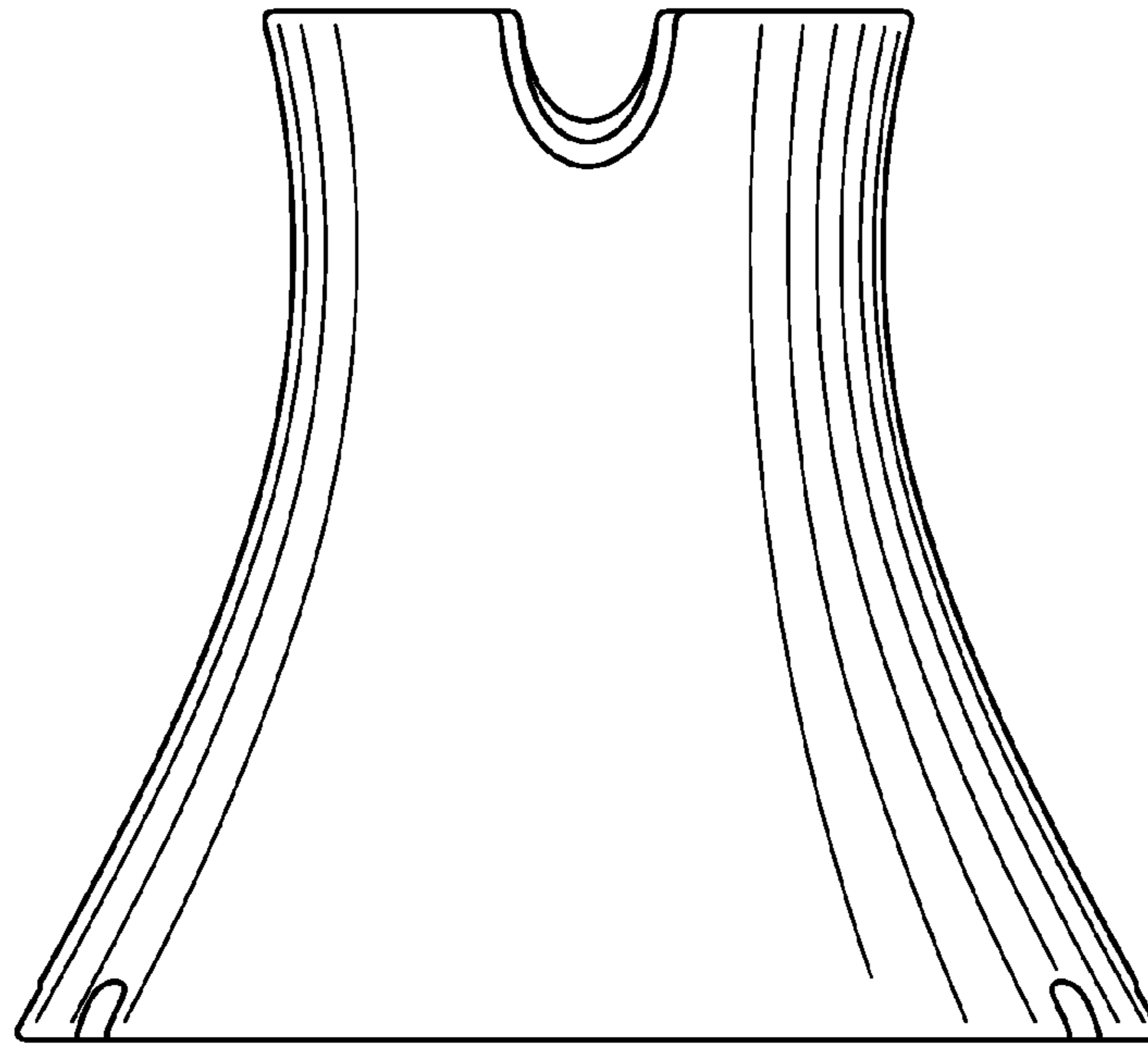


FIG. 11

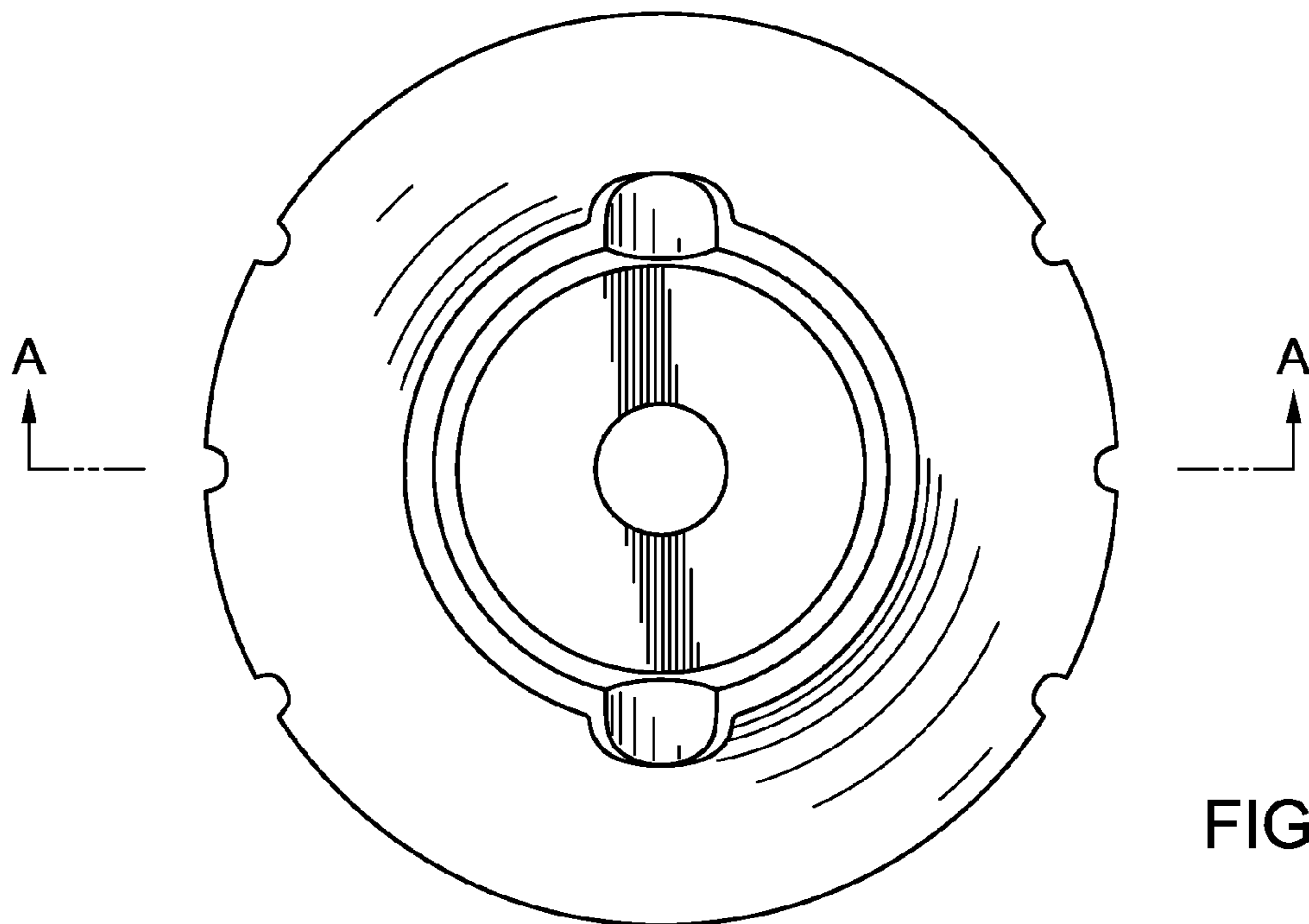


FIG. 12

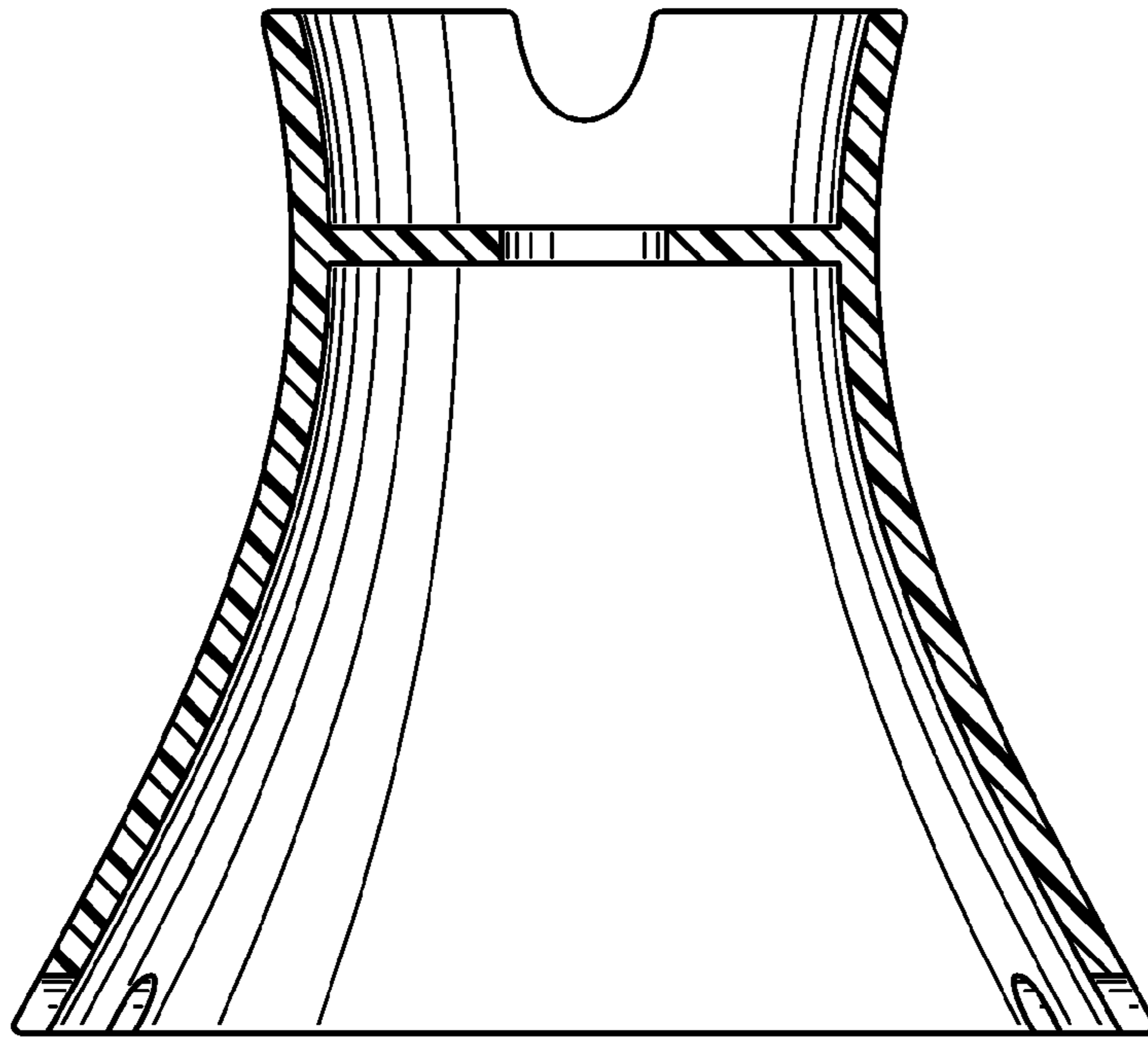


FIG. 13

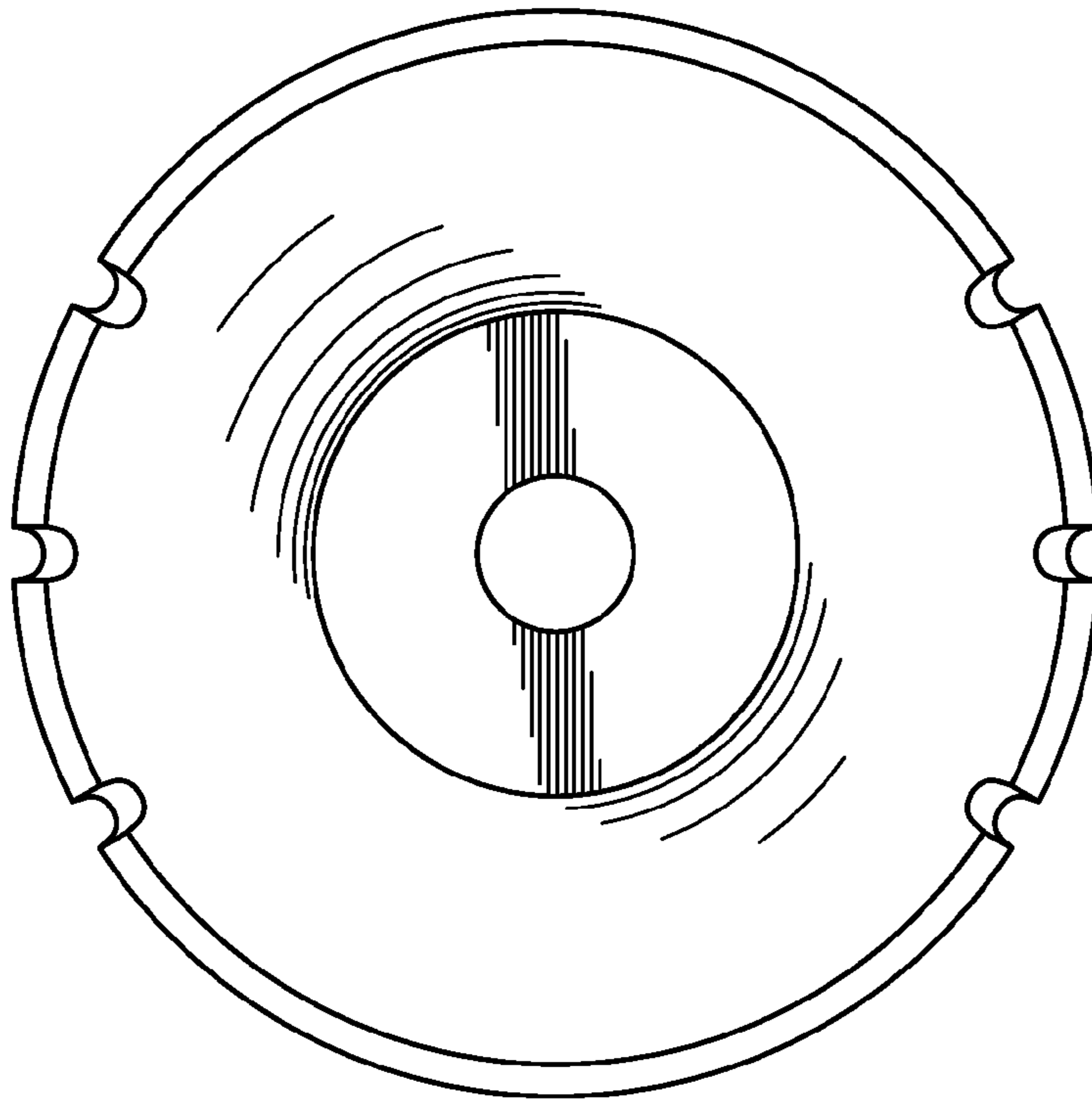


FIG. 14