



US00D694476S

(12) **United States Design Patent**  
**Delgado**

(10) **Patent No.:** **US D694,476 S**

(45) **Date of Patent:** **\*\* Nov. 26, 2013**

(54) **PET BED**

(71) Applicant: **Preston Delgado**, Westlake Village, CA  
(US)

(72) Inventor: **Preston Delgado**, Westlake Village, CA  
(US)

(\*\*) Term: **14 Years**

(21) Appl. No.: **29/436,081**

(22) Filed: **Oct. 31, 2012**

(51) **LOC (9) Cl.** ..... **30-06**

(52) **U.S. Cl.**  
USPC ..... **D30/118**

(58) **Field of Classification Search**  
USPC ..... D30/118; D6/597, 601; 119/28.5;  
229/109

See application file for complete search history.

(56) **References Cited**

**U.S. PATENT DOCUMENTS**

D308,150 S *	5/1990	Salmirs .....	D6/601
D331,475 S *	12/1992	Sineath .....	D30/118
D353,494 S *	12/1994	Beger .....	D30/118
D366,383 S *	1/1996	Briegleb .....	D6/601
D441,146 S *	4/2001	Passmore .....	D30/118
6,805,076 B2 *	10/2004	Duffy et al. ....	119/28.5

D540,605 S *	4/2007	McHale et al. ....	D6/601
D553,411 S *	10/2007	Boutin .....	D6/601
D554,424 S *	11/2007	Sandey et al. ....	D6/601
D557,965 S *	12/2007	Rybinski .....	D6/601
D589,655 S *	3/2009	West .....	D30/118
D591,097 S *	4/2009	DeLong .....	D6/601
D615,710 S *	5/2010	Zine .....	D30/118
D674,642 S *	1/2013	Richardson .....	D6/601

\* cited by examiner

*Primary Examiner* — Cathy A MacCormac

(74) *Attorney, Agent, or Firm* — Au, LLC; Adam E. Urbanczyk

(57) **CLAIM**

The ornamental design for a pet bed, as shown and described.

**DESCRIPTION**

FIG. 1 is a perspective view of a pet bed, with an attached and secured separable cover;

FIG. 2 is a top view thereof;

FIG. 3 is a side view thereof;

FIG. 4 is a rear view thereof;

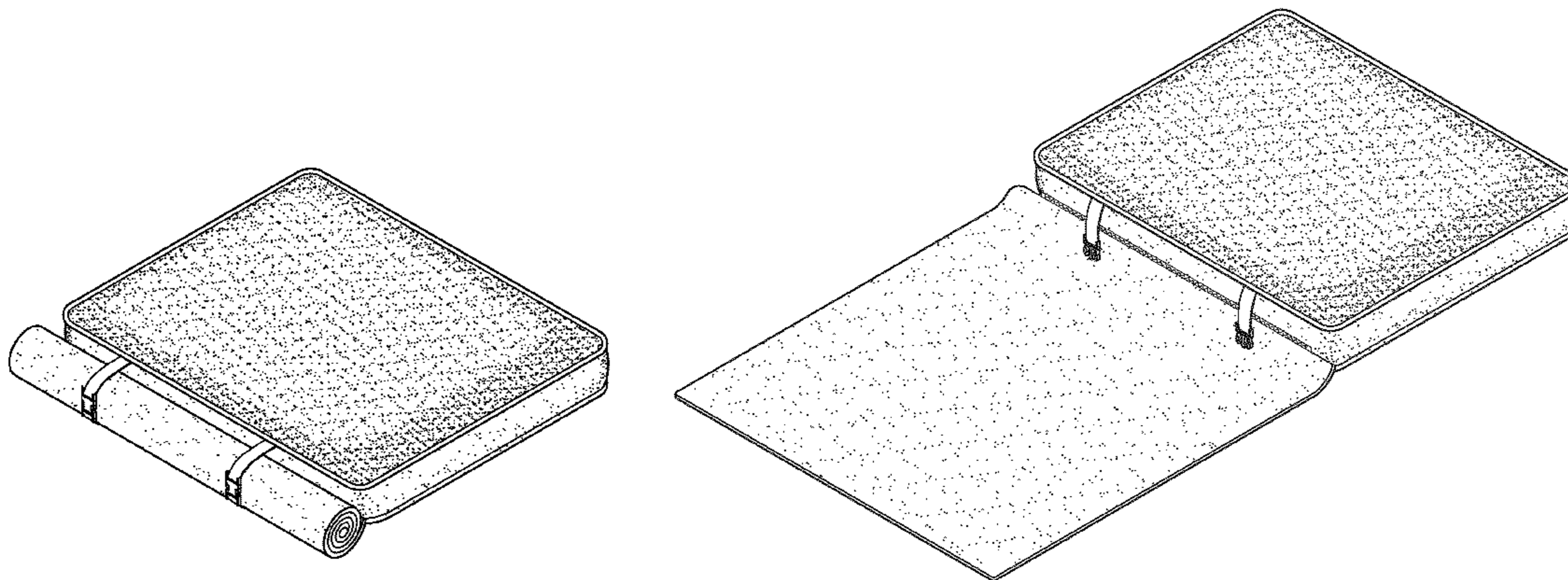
FIG. 5 is a front view thereof;

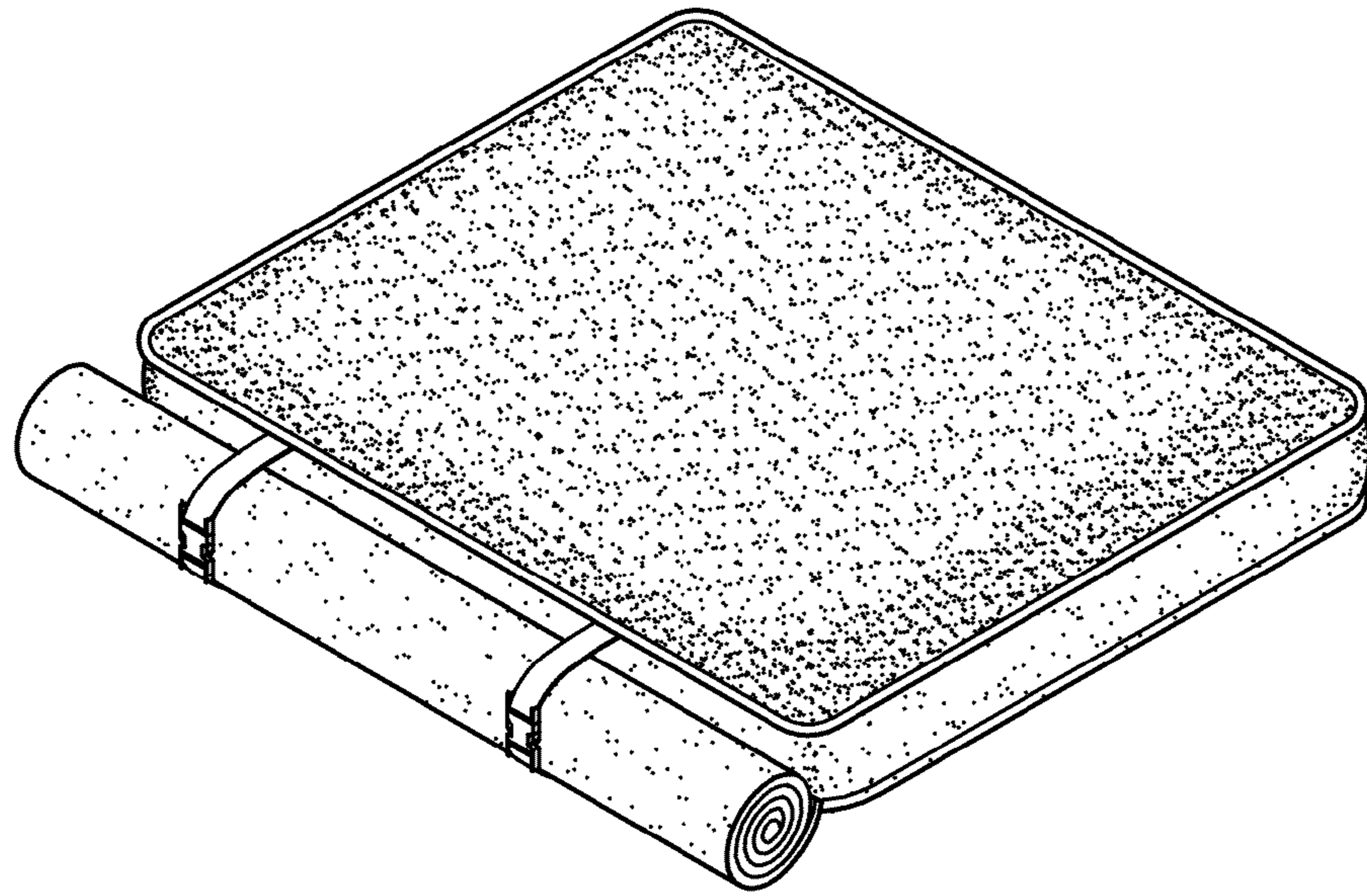
FIG. 6 is another perspective view showing the attached cover in an unsecured position;

FIG. 7 is a top view of FIG. 6; and,

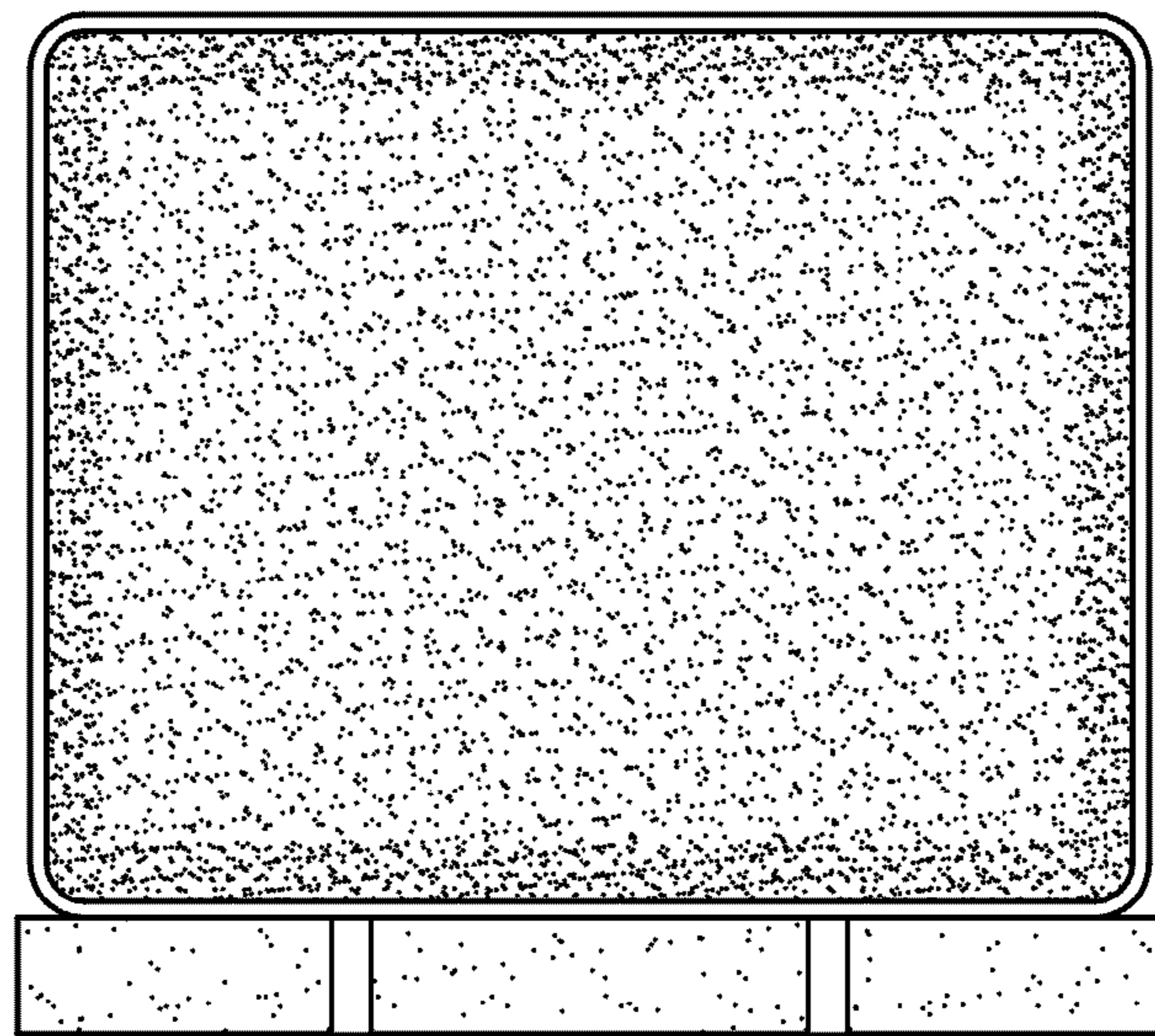
FIG. 8 is an exploded top view of the unsecured cover in an unattached position.

**1 Claim, 4 Drawing Sheets**

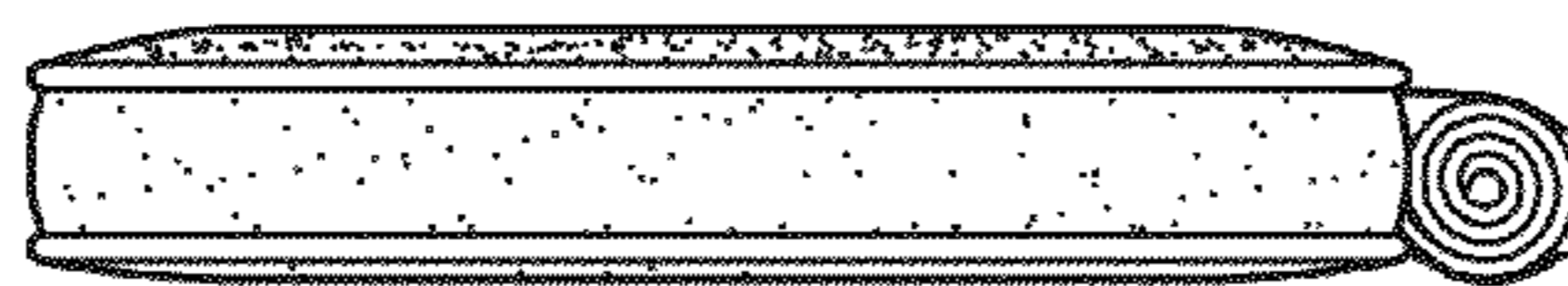




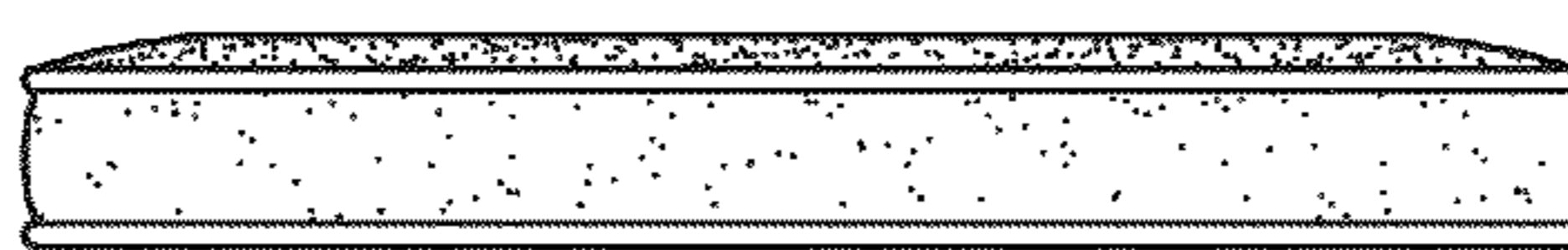
*FIG. 1*



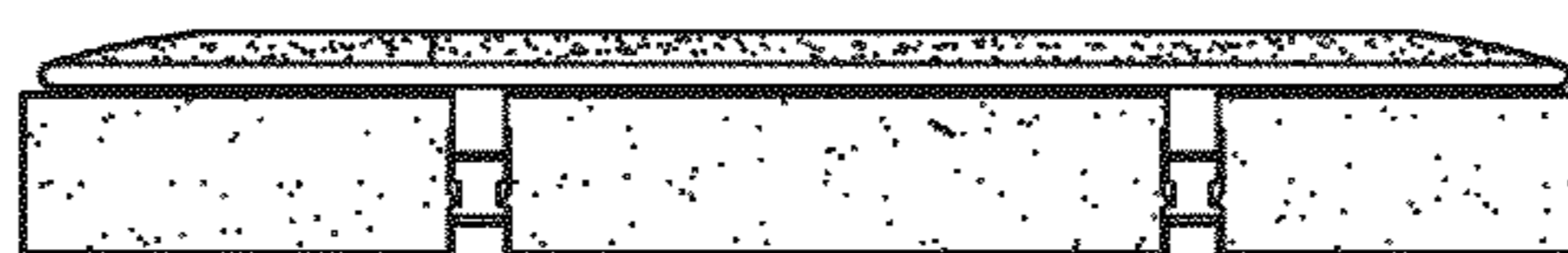
*FIG. 2*



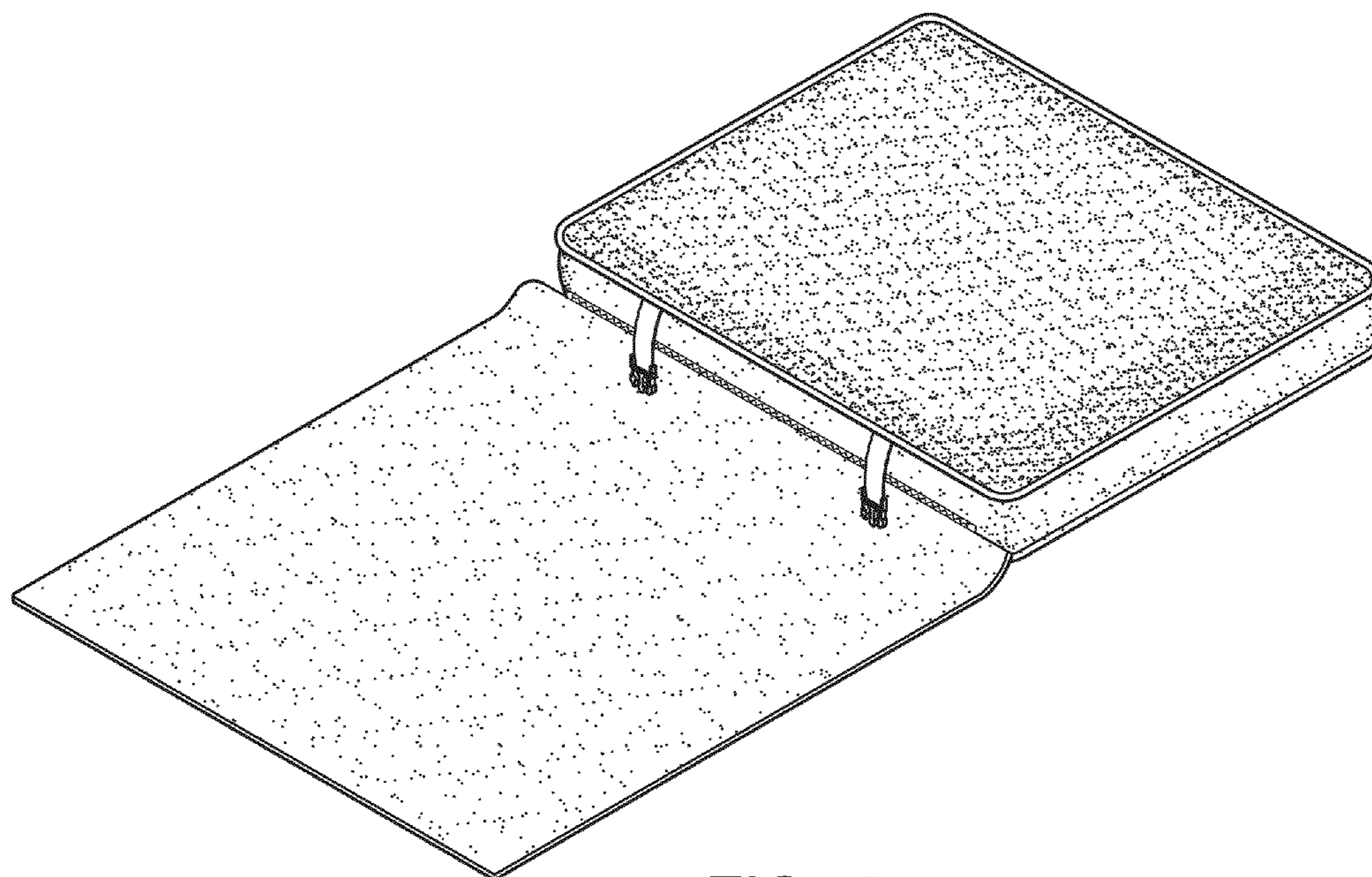
*FIG. 3*



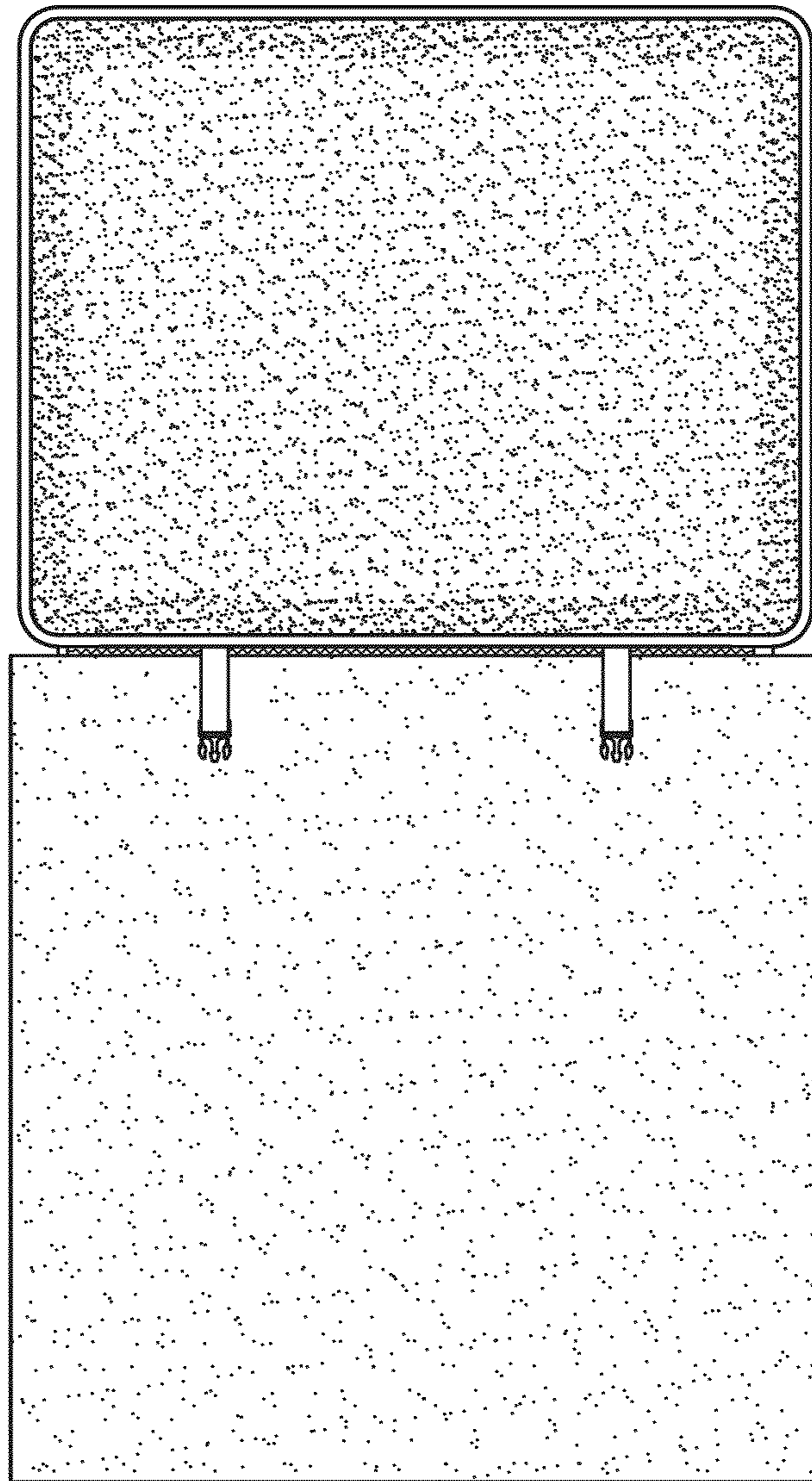
*FIG. 4*



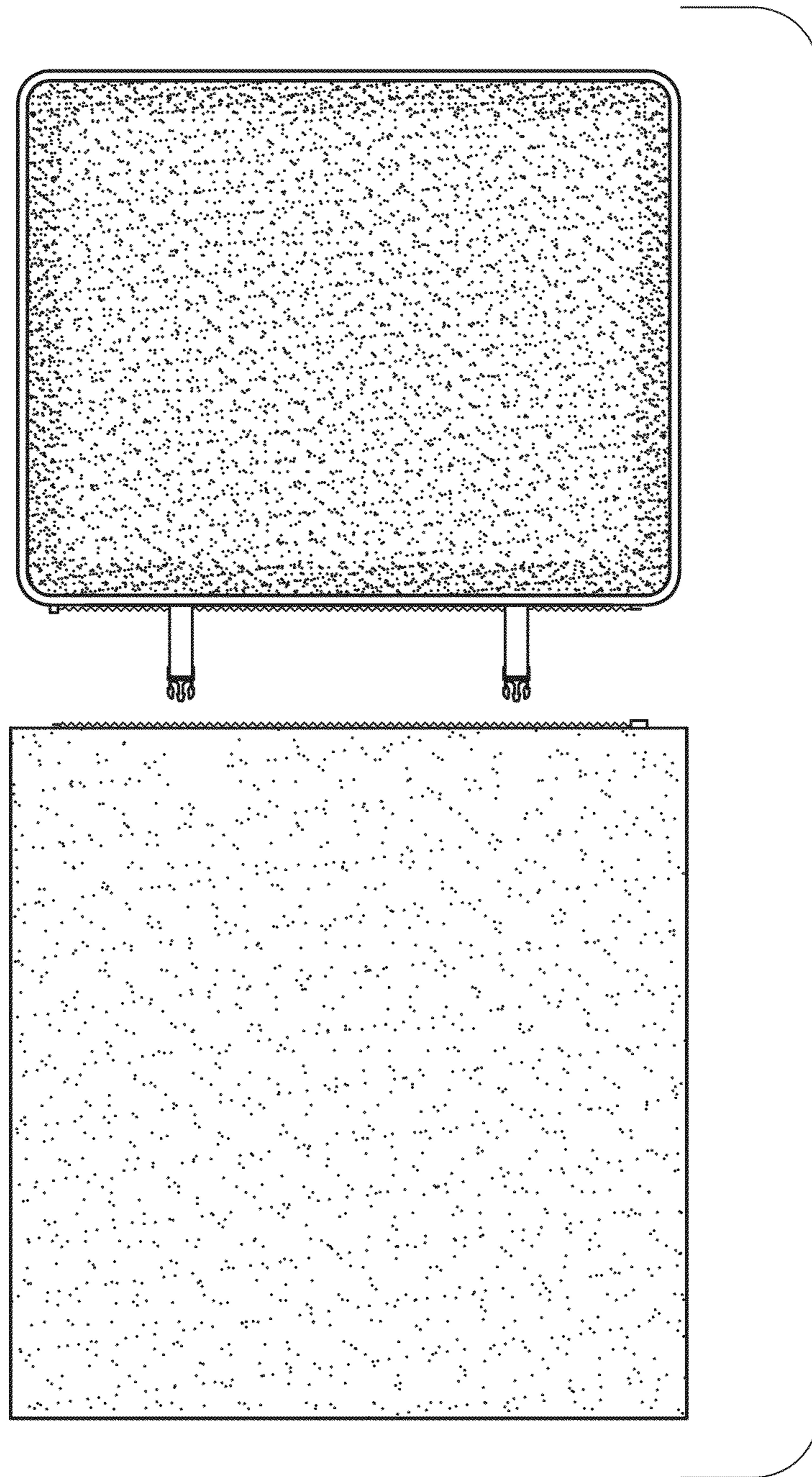
*FIG. 5*



*FIG. 6*



**FIG. 7**



**FIG. 8**