



US00D694470S

(12) **United States Design Patent**
Floyd et al.

(10) **Patent No.:** **US D694,470 S**

(45) **Date of Patent:** **** Nov. 26, 2013**

(54) **HANDLE FOR A RAZOR**

(75) Inventors: **Brian Lee Floyd**, Cincinnati, OH (US);
Brandon Albert Lynne, Daly City, CA
(US); **Jesse Samuel Madsen**, Oakland,
CA (US)

(73) Assignee: **The Gillette Company**, Boston, MA
(US)

(**) Term: **14 Years**

(21) Appl. No.: **29/431,216**

(22) Filed: **Sep. 5, 2012**

(51) **LOC (9) Cl.** **28-03**

(52) **U.S. Cl.**
USPC **D28/48**

(58) **Field of Classification Search**
USPC 30/32, 34.05, 34.1-34.2, 41.9, 40-40.2,
30/41, 42-46, 47-52, 57-84, 526-541,
30/346.5-346.61; D28/44-48
See application file for complete search history.

(56) **References Cited**

U.S. PATENT DOCUMENTS

D160,322	S	*	10/1950	Glaberson	D28/46
2,561,110	A	*	7/1951	Gray	30/67
3,327,388	A	*	6/1967	Sooter	30/539
D228,317	S	*	9/1973	Glaberson	D28/46
D241,382	S	*	9/1976	Jones	D28/46
D294,528	S	*	3/1988	Gray	D28/46
D306,915	S	*	3/1990	Luzenberg	D28/46

D312,143	S	*	11/1990	Schwarz	D28/48
D364,706	S	*	11/1995	Corcoran	D28/46
D437,661	S		2/2001	Pinchuk		
D567,442	S	*	4/2008	McMullan	D28/46
D603,098	S		10/2009	Cataudella		
D619,763	S		7/2010	Coresh		
D621,095	S		8/2010	Cataudella		
D634,894	S		3/2011	Cataudella		
8,015,710	B1	*	9/2011	Zyla	30/34.05
D654,222	S		2/2012	Coresh		
D672,503	S	*	12/2012	Mason et al.	D28/45
2001/0003869	A1	*	6/2001	Rocha	30/41

* cited by examiner

Primary Examiner — Jennifer Rivard

(74) *Attorney, Agent, or Firm* — Kevin C. Johnson; Steven W. Miller

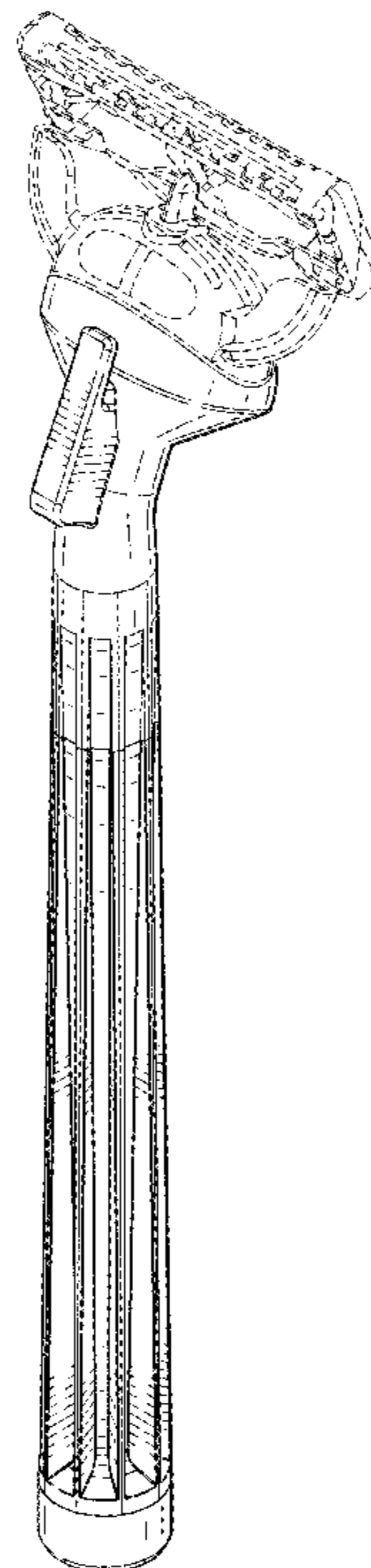
(57) **CLAIM**

The ornamental design for a handle for a razor, as shown and described.

DESCRIPTION

FIG. 1 is a perspective view of a handle for a razor of the present invention;
FIG. 2 is a front view thereof;
FIG. 3 is a rear view thereof;
FIG. 4 is a right side view thereof;
FIG. 5 is a left side view thereof;
FIG. 6 is a top view thereof; and,
FIG. 7 is a bottom view thereof.
The broken lines shown in the drawings illustrate the environment and form no part of the claimed design.

1 Claim, 4 Drawing Sheets



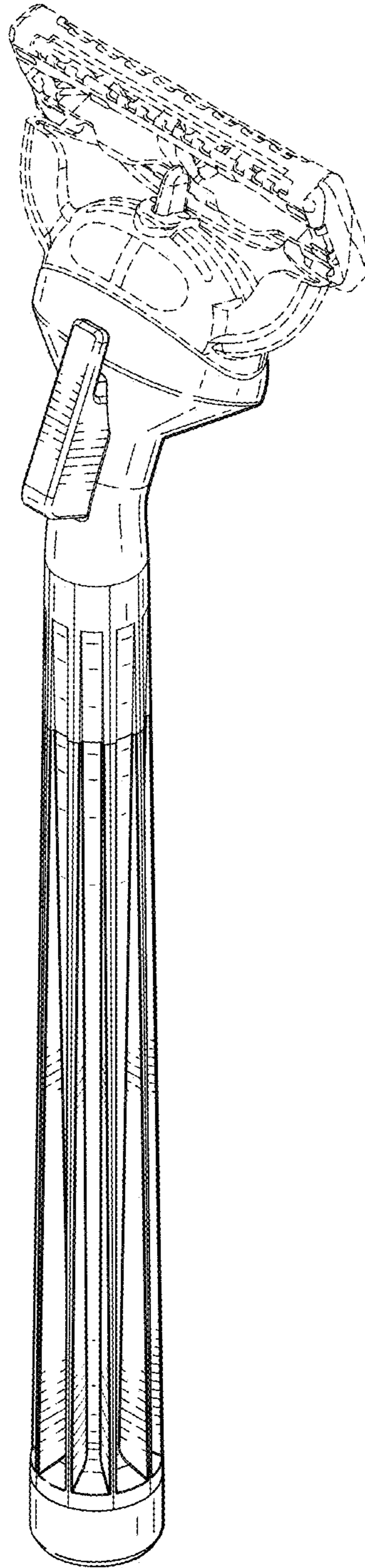


FIG. 1

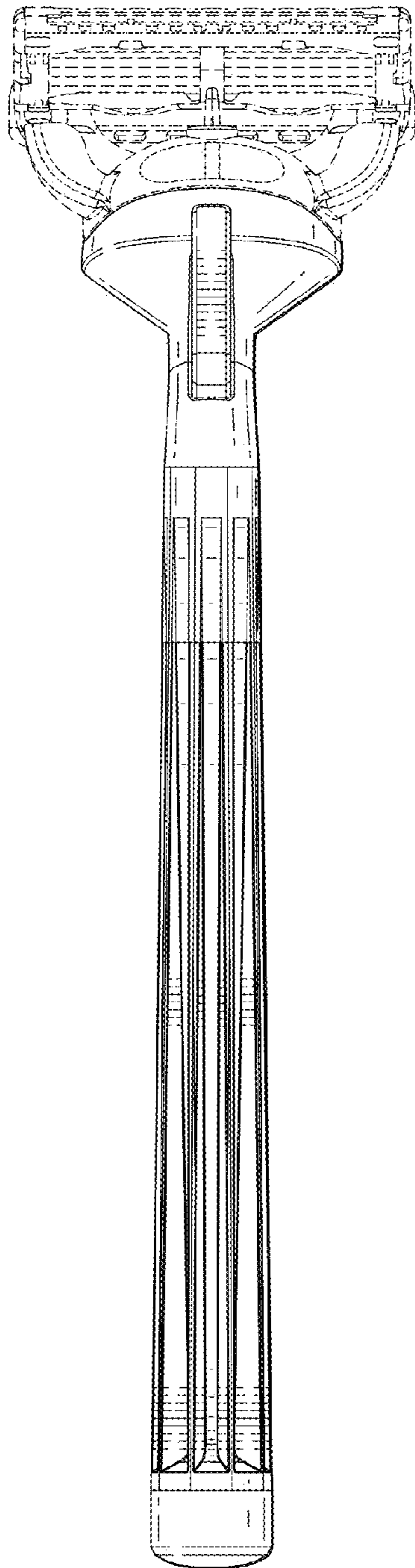


FIG. 2

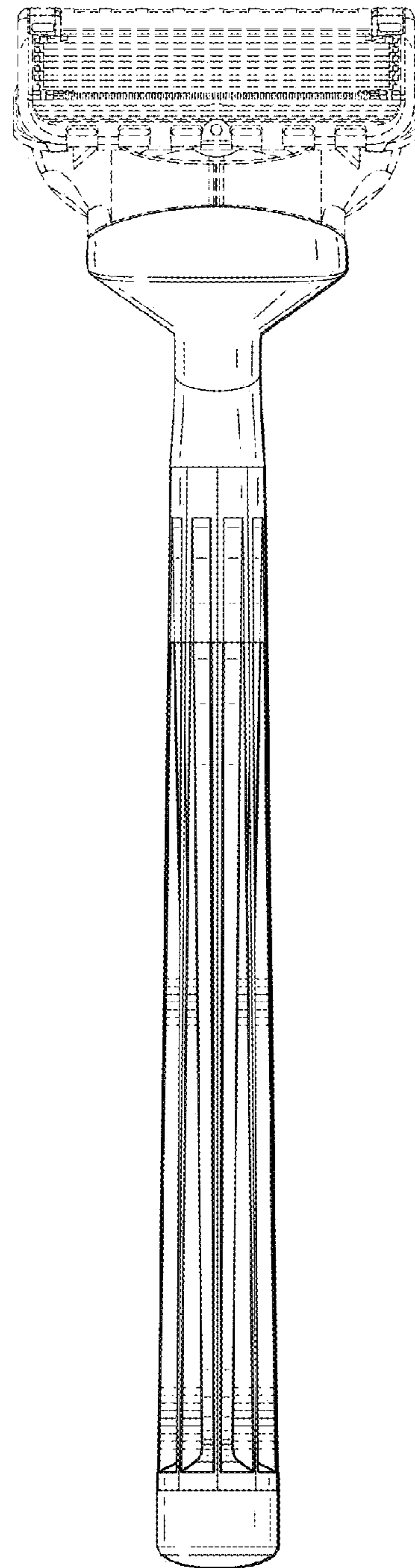


FIG. 3

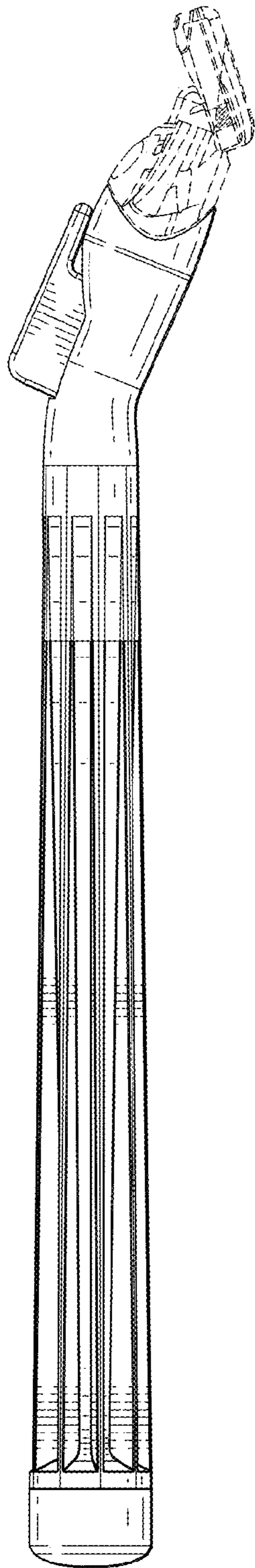


FIG. 4

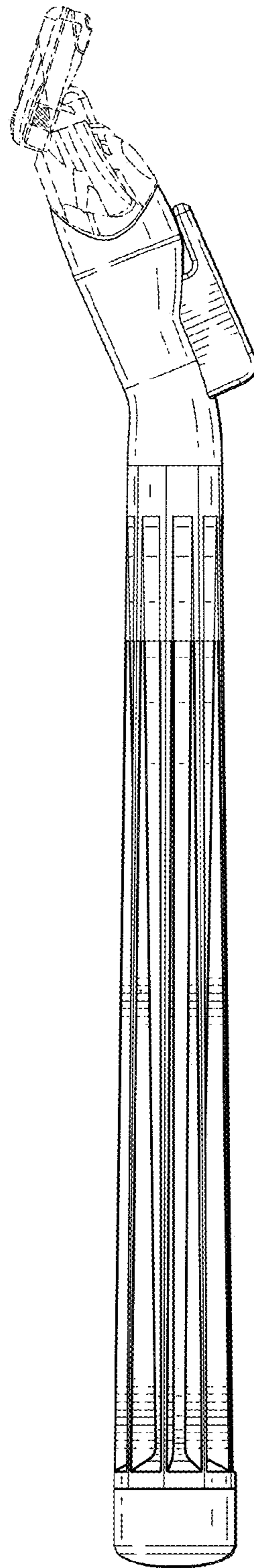


FIG. 5

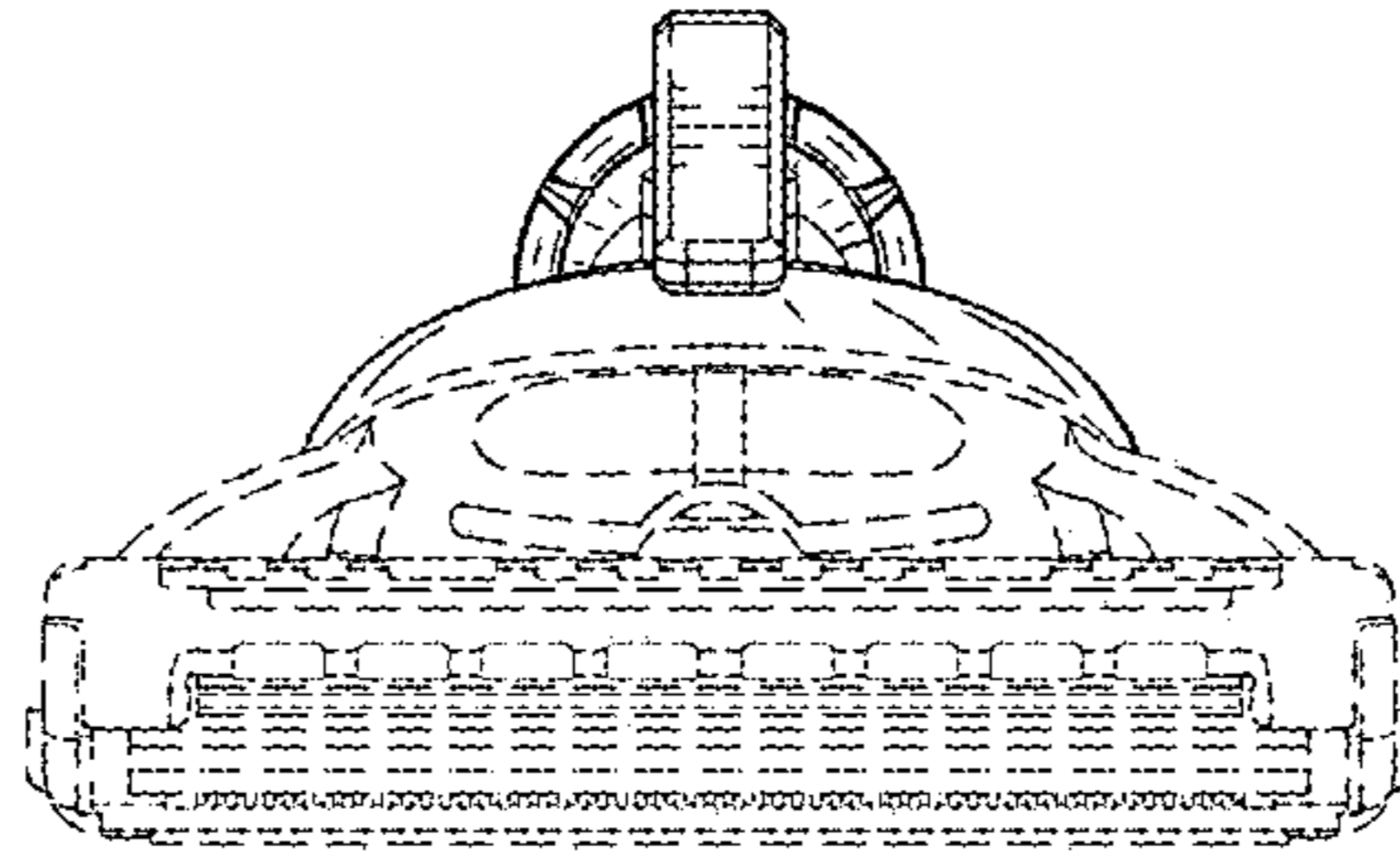


FIG. 6

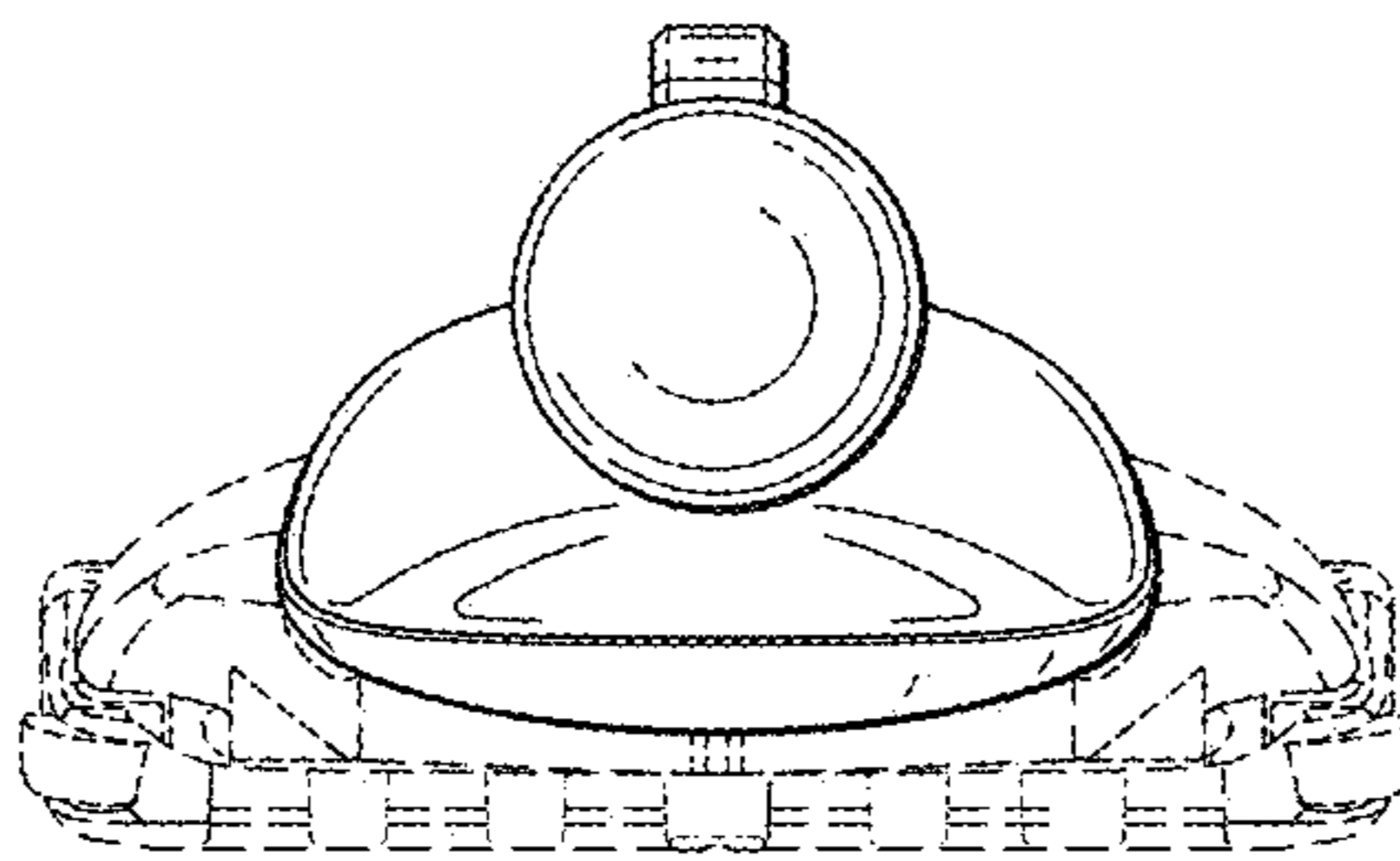


FIG. 7