

US00D694469S

(12) **United States Design Patent**  
**Floyd et al.**

(10) **Patent No.:** **US D694,469 S**

(45) **Date of Patent:** **\*\* Nov. 26, 2013**

(54) **HANDLE FOR A RAZOR**

(75) Inventors: **Brian Lee Floyd**, Cincinnati, OH (US);  
**Brandon Albert Lynne**, Daly City, CA  
(US); **Jesse Samuel Madsen**, Oakland,  
CA (US)

(73) Assignee: **The Gillette Company**, Boston, MA  
(US)

(\*\*) Term: **14 Years**

(21) Appl. No.: **29/431,211**

(22) Filed: **Sep. 5, 2012**

(51) **LOC (9) Cl.** ..... **28-03**

(52) **U.S. Cl.**  
USPC ..... **D28/48**

(58) **Field of Classification Search**  
USPC ..... 30/32, 34.05, 34.1-34.2, 41.9, 40-40.2,  
30/41, 42-46, 47-52, 57-84, 526-541,  
30/346.5-346.61; D28/44-48  
See application file for complete search history.

(56) **References Cited**

**U.S. PATENT DOCUMENTS**

D306,915 S \* 3/1990 Luzenberg ..... D28/46  
D386,820 S \* 11/1997 Morrissette et al. .... D28/46

D437,661 S 2/2001 Pinchuk  
D500,389 S \* 12/2004 Mitchell et al. .... D28/46  
D567,442 S \* 4/2008 McMullan ..... D28/46  
D603,098 S 10/2009 Cataudella  
D619,763 S 7/2010 Coresh  
D621,095 S 8/2010 Cataudella  
D634,894 S 3/2011 Cataudella  
D654,222 S 2/2012 Coresh

\* cited by examiner

*Primary Examiner* — Jennifer Rivard

(74) *Attorney, Agent, or Firm* — Kevin C. Johnson; Steven  
W. Miller

(57) **CLAIM**

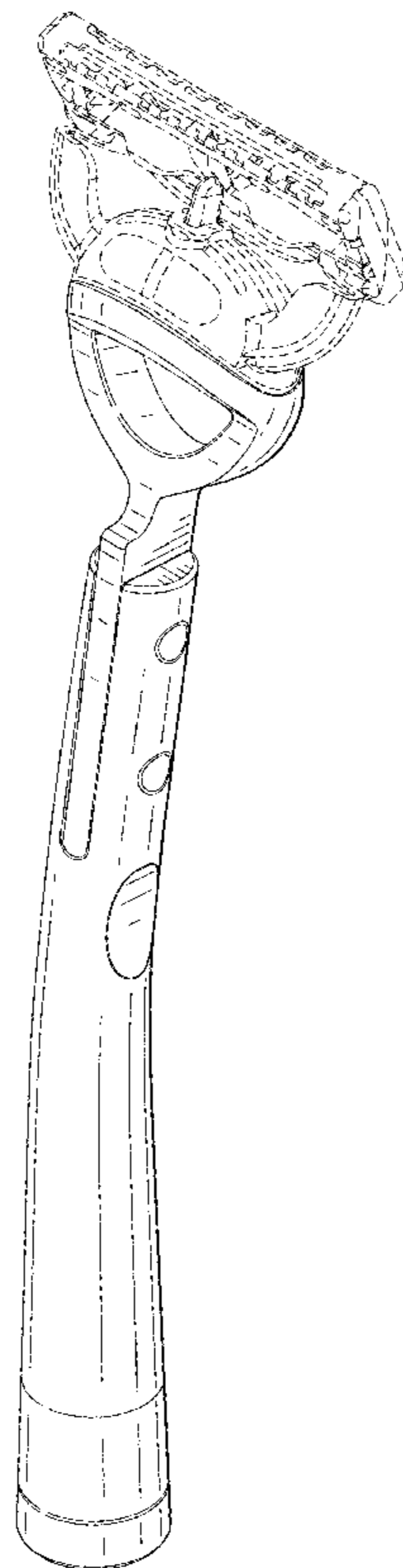
The ornamental design for a handle for a razor, as shown and  
described.

**DESCRIPTION**

FIG. 1 is a perspective view of a handle for a razor of the  
present invention;  
FIG. 2 is a front view thereof;  
FIG. 3 is a rear view thereof;  
FIG. 4 is a right side view thereof;  
FIG. 5 is a left side view thereof;  
FIG. 6 is a top view thereof; and,  
FIG. 7 is a bottom view thereof.

The broken lines shown in the drawings illustrate the envi-  
ronment and form no part of the claimed design.

**1 Claim, 4 Drawing Sheets**



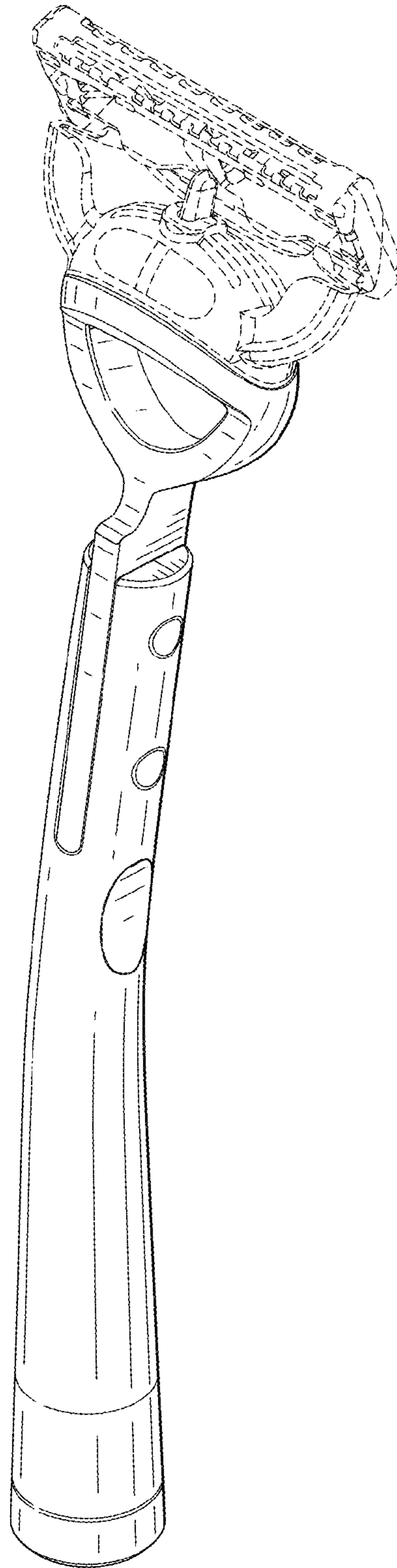


FIG. 1

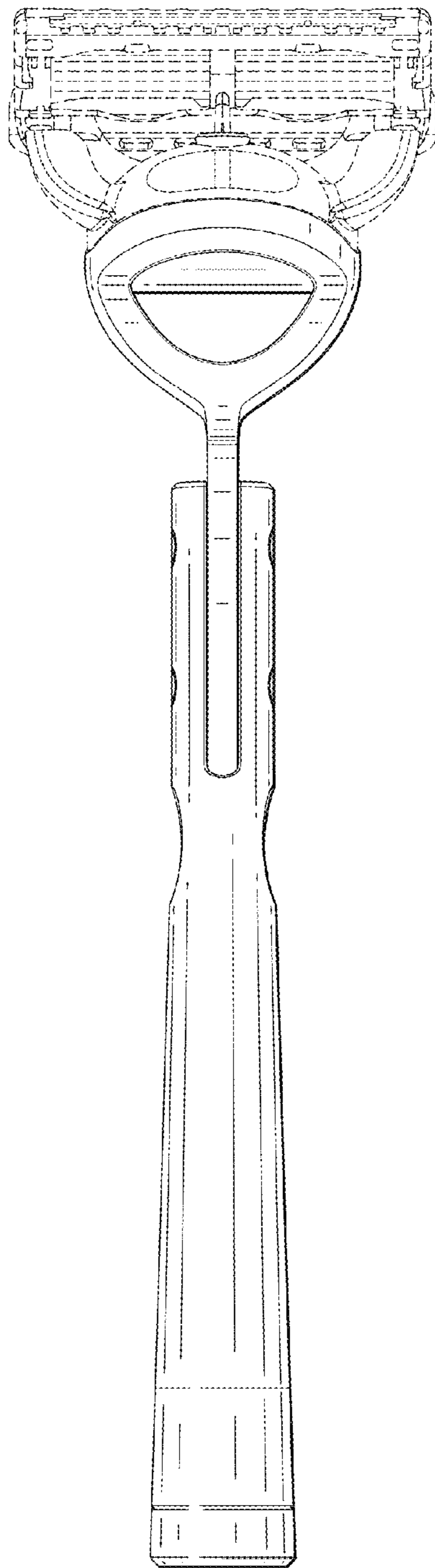


FIG. 2

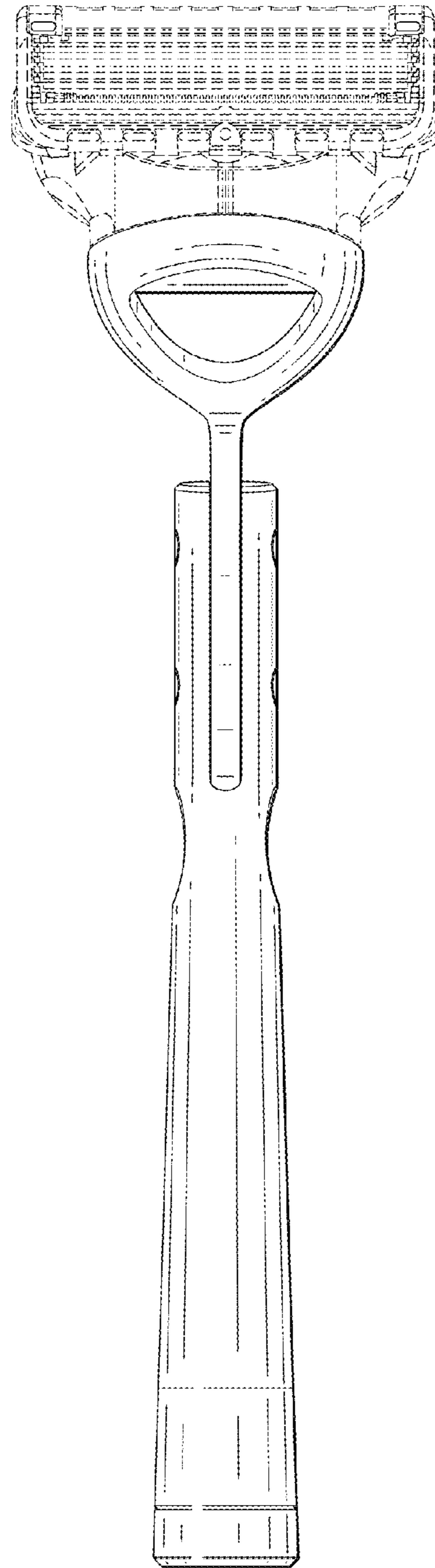


FIG. 3

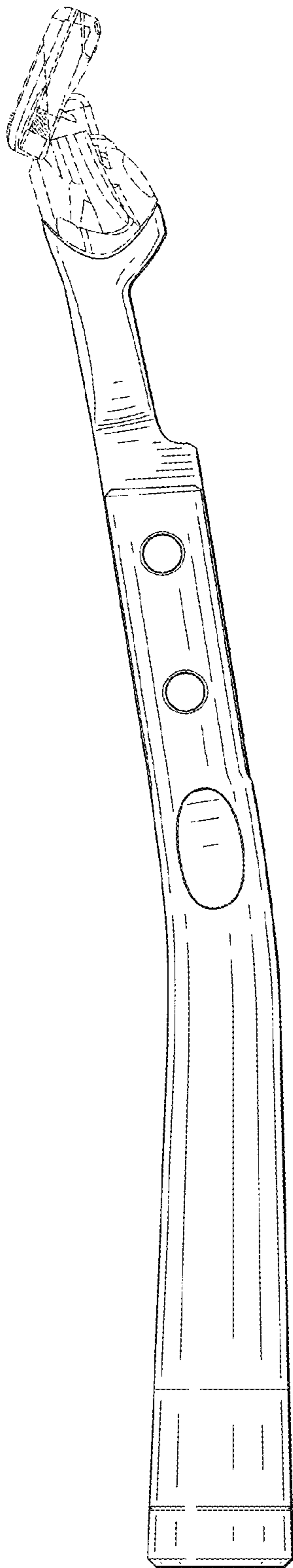


FIG. 4

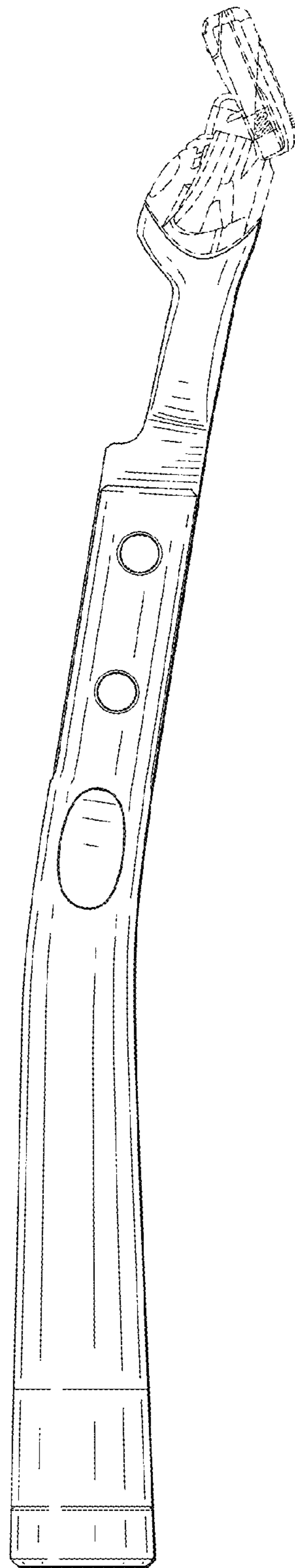


FIG. 5

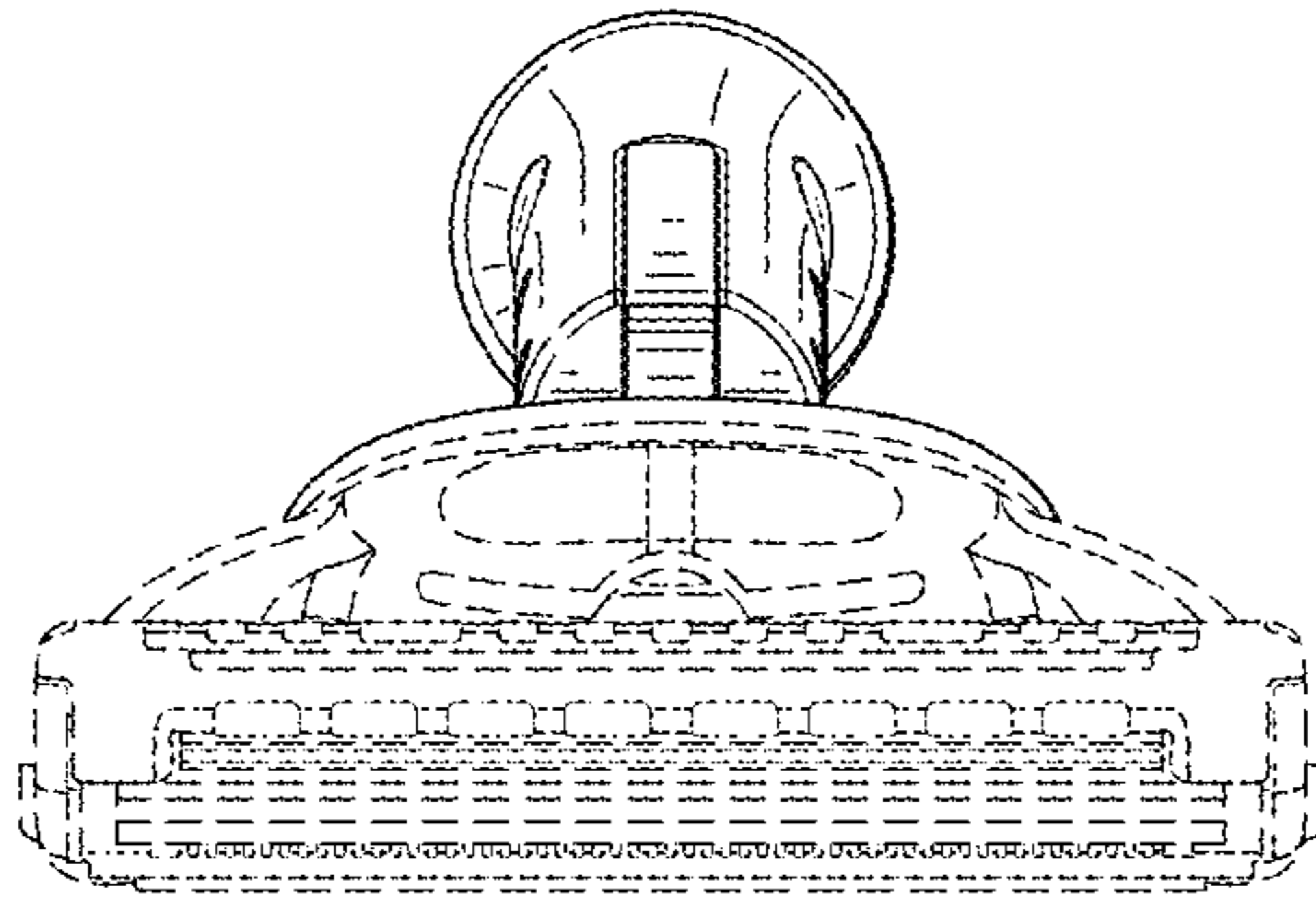


FIG. 6

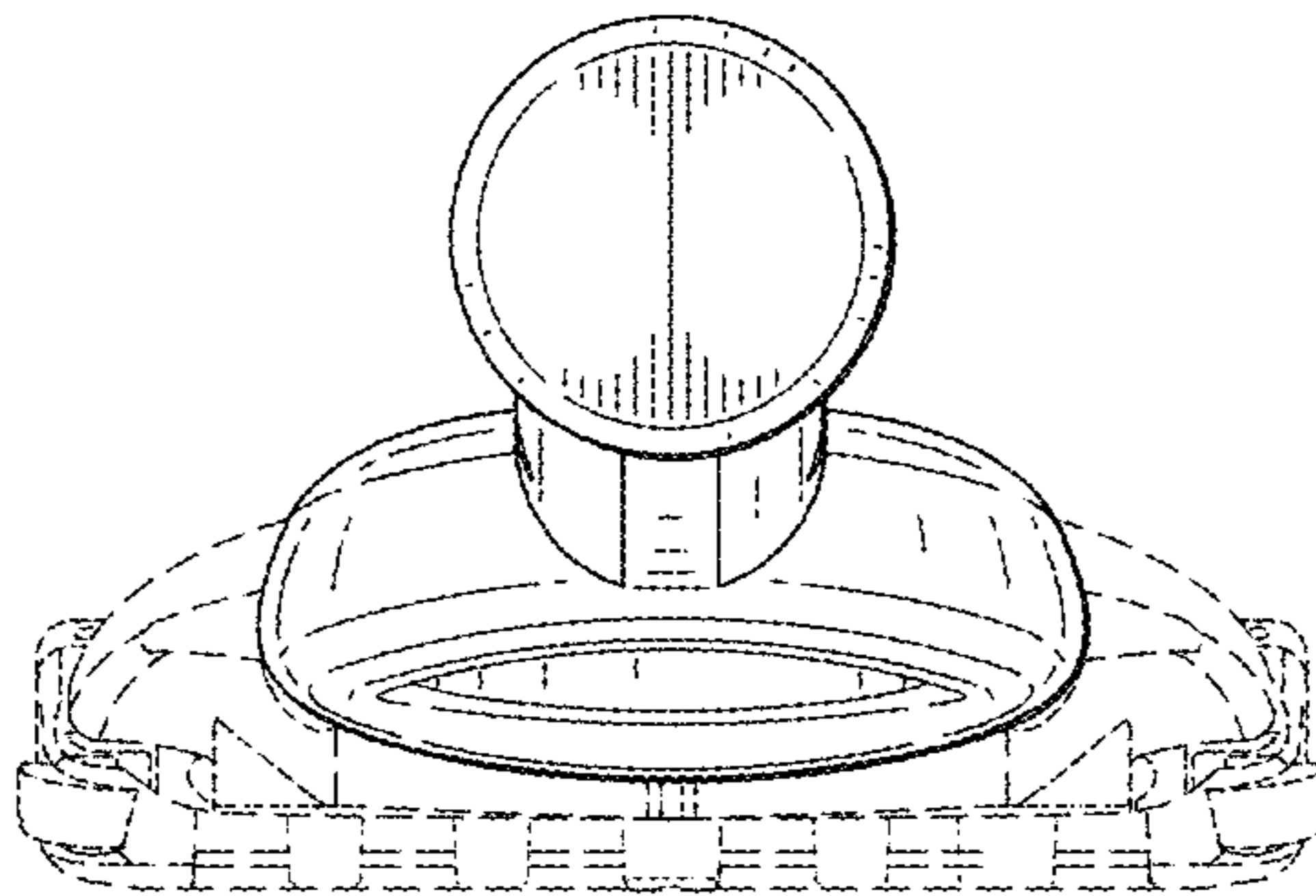


FIG. 7