

US00D694467S

(12) **United States Design Patent**
Kjaergaard

(10) **Patent No.:** **US D694,467 S**

(45) **Date of Patent:** **** Nov. 26, 2013**

(54) **BASE FOR A LIGHTING FIXTURE**

(56) **References Cited**

(71) Applicant: **Martin Professional A/S**, Aarhus N.
(DK)

U.S. PATENT DOCUMENTS

(72) Inventor: **Uffe Toft Kjaergaard**, Højbjerg (DK)

3,018,364	A *	1/1962	Wenman	362/459
D247,689	S *	4/1978	LeVasseur	D26/63
D279,928	S *	7/1985	McNabb et al.	D26/63
4,598,345	A *	7/1986	Kleeman	362/233
D291,925	S *	9/1987	Dacanay	D26/61
4,701,833	A *	10/1987	Bornhorst	362/294
5,176,442	A *	1/1993	Richardson	362/286
D336,533	S *	6/1993	Hout	D26/63
D345,616	S *	3/1994	Lin	D26/63
D359,574	S *	6/1995	Bornhorst et al.	D26/65
D366,712	S *	1/1996	Hanson et al.	D26/63
D370,080	S *	5/1996	Stultz	D26/140
D372,550	S *	8/1996	Stultz	D26/63
5,544,029	A *	8/1996	Cunningham	362/271
5,580,164	A *	12/1996	Maddox et al.	362/293
5,622,426	A *	4/1997	Romano et al.	362/281
5,673,989	A *	10/1997	Gohl et al.	362/35
D395,140	S *	6/1998	O'Rourke	D26/140
5,882,107	A *	3/1999	Bornhorst et al.	362/281
D413,995	S *	9/1999	Lee et al.	D26/63
D414,888	S *	10/1999	McNatt et al.	D26/63

(73) Assignee: **Martin Professional A/S**, Aarhus N.
(DK)

(**) Term: **14 Years**

(21) Appl. No.: **29/450,528**

(22) Filed: **Mar. 19, 2013**

(30) **Foreign Application Priority Data**

Sep. 21, 2012 (EP) 002107433-0004

(51) **LOC (9) Cl.** **26-99**

(52) **U.S. Cl.**
USPC **D26/142**

(58) **Field of Classification Search**
USPC D26/152, 113, 118, 119, 154, 61, 62,
D26/65, 75, 16, 1, 2, 3, 120, 138, 128, 155,
D26/76, 121, 124, 125, 123, 141, 142, 66,
D26/68, 86, 71, 72, 77, 78, 151, 145, 74, 85,
D26/89, 82, 84, 92, 87, 136, 63, 59, 58, 28,
D26/88, 11, 9, 22, 81, 127, 129, 130, 131,
D26/133, 134, 135, 55; D13/179, 180;
362/219, 223, 225, 347, 346, 373, 326,
362/283, 249.02, 362, 374, 375, 408, 327,
362/328, 404, 297, 147, 149, 249.03,
362/249.11; D23/377, 411, 413; D11/89,
D11/90

See application file for complete search history.

(Continued)

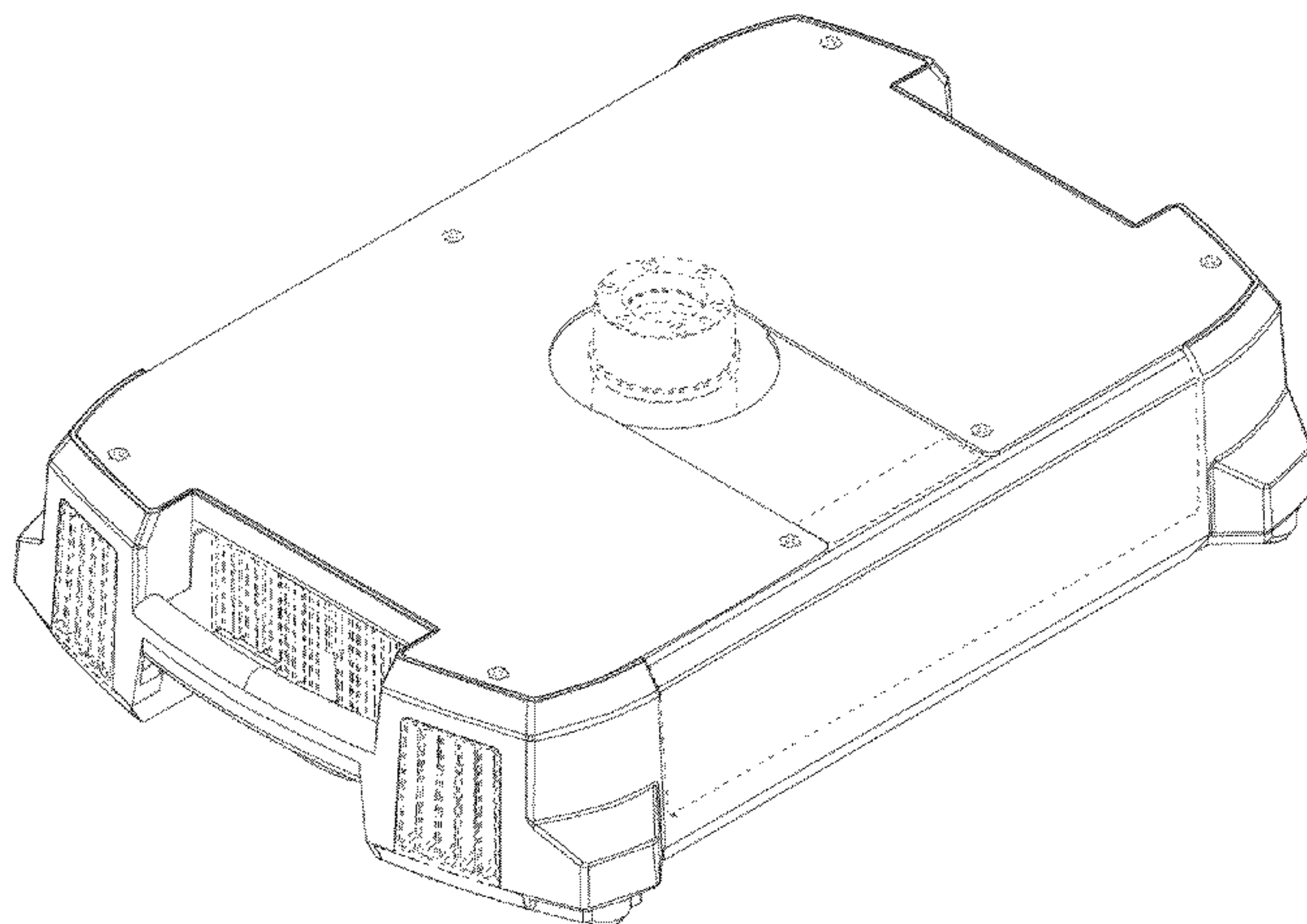
Primary Examiner — Kevin Rudzinski
(74) *Attorney, Agent, or Firm* — Blank Rome LLP

(57) **CLAIM**
I claim an ornamental design for a base for a lighting fixture,
as shown and described.

DESCRIPTION

FIG. 1 is a perspective view of the base for a lighting fixture
of the present design;
FIG. 2 is a top view thereof;
FIG. 3 is a bottom view thereof;
FIG. 4 is a left side view thereof;
FIG. 5 is a right side view thereof;
FIG. 6 is a front view thereof; and,
FIG. 7 is a rear view thereof.
The dashed lines shown in the figures illustrating portions of
the lighting fixture form no part of the claimed design.

1 Claim, 5 Drawing Sheets



(56)

References Cited

U.S. PATENT DOCUMENTS

D425,232	S *	5/2000	Chang	D26/63	7,699,506	B2 *	4/2010	Andersen et al.	362/373
D437,955	S *	2/2001	Tang	D26/63	D615,230	S *	5/2010	van Klinken	D26/63
D437,956	S *	2/2001	Cogliano et al.	D26/63	D618,377	S *	6/2010	Toft	D26/93
D439,356	S *	3/2001	Martinson et al.	D26/63	D620,187	S *	7/2010	Quadri	D26/113
D446,329	S *	8/2001	Lau	D26/63	7,766,520	B2 *	8/2010	Bornhorst	362/427
D452,339	S *	12/2001	Outland et al.	D26/63	7,789,525	B2 *	9/2010	Vinther	362/190
D457,673	S *	5/2002	Martinson et al.	D26/63	D634,871	S *	3/2011	Wooh	D26/63
D476,439	S *	6/2003	O'Rourke	D26/63	D639,983	S *	6/2011	Quadri	D26/24
D489,145	S *	4/2004	Smith et al.	D26/63	D646,010	S *	9/2011	Janssen	D26/63
D493,905	S *	8/2004	Lin	D26/63	D652,983	S *	1/2012	Quadri	D26/118
D496,744	S *	9/2004	Smith et al.	D26/63	8,096,684	B2 *	1/2012	Salm et al.	362/272
6,902,302	B2 *	6/2005	Foster	362/324	D664,707	S *	7/2012	Toft	D26/142
6,964,503	B2 *	11/2005	Smith et al.	362/371	D664,708	S *	7/2012	Toft	D26/142
6,969,181	B1 *	11/2005	Bailey et al.	362/364	D672,915	S *	12/2012	Toft	D26/123
D537,549	S *	2/2007	Bleicher	D26/24	8,408,760	B2 *	4/2013	Bornhorst et al.	362/419
7,341,363	B1 *	3/2008	Richardson	362/396	2004/0070984	A1 *	4/2004	Smith et al.	362/427
7,364,324	B2 *	4/2008	De Sisti	362/269	2004/0095761	A1 *	5/2004	Esakoff	362/226
D571,951	S *	6/2008	Melzner et al.	D26/138	2008/0062692	A1 *	3/2008	Andersen et al.	362/275
D575,891	S *	8/2008	Calleja	D26/63	2009/0154165	A1 *	6/2009	Salm et al.	362/272
D577,453	S *	9/2008	Metlen	D26/63	2009/0323364	A1 *	12/2009	Bornhorst et al.	362/418
						2011/0199770	A1 *	8/2011	Pedersen	362/249.03
						2011/0235330	A1 *	9/2011	Pedersen et al.	362/249.03
						2012/0091917	A1 *	4/2012	Vinther et al.	315/312

* cited by examiner

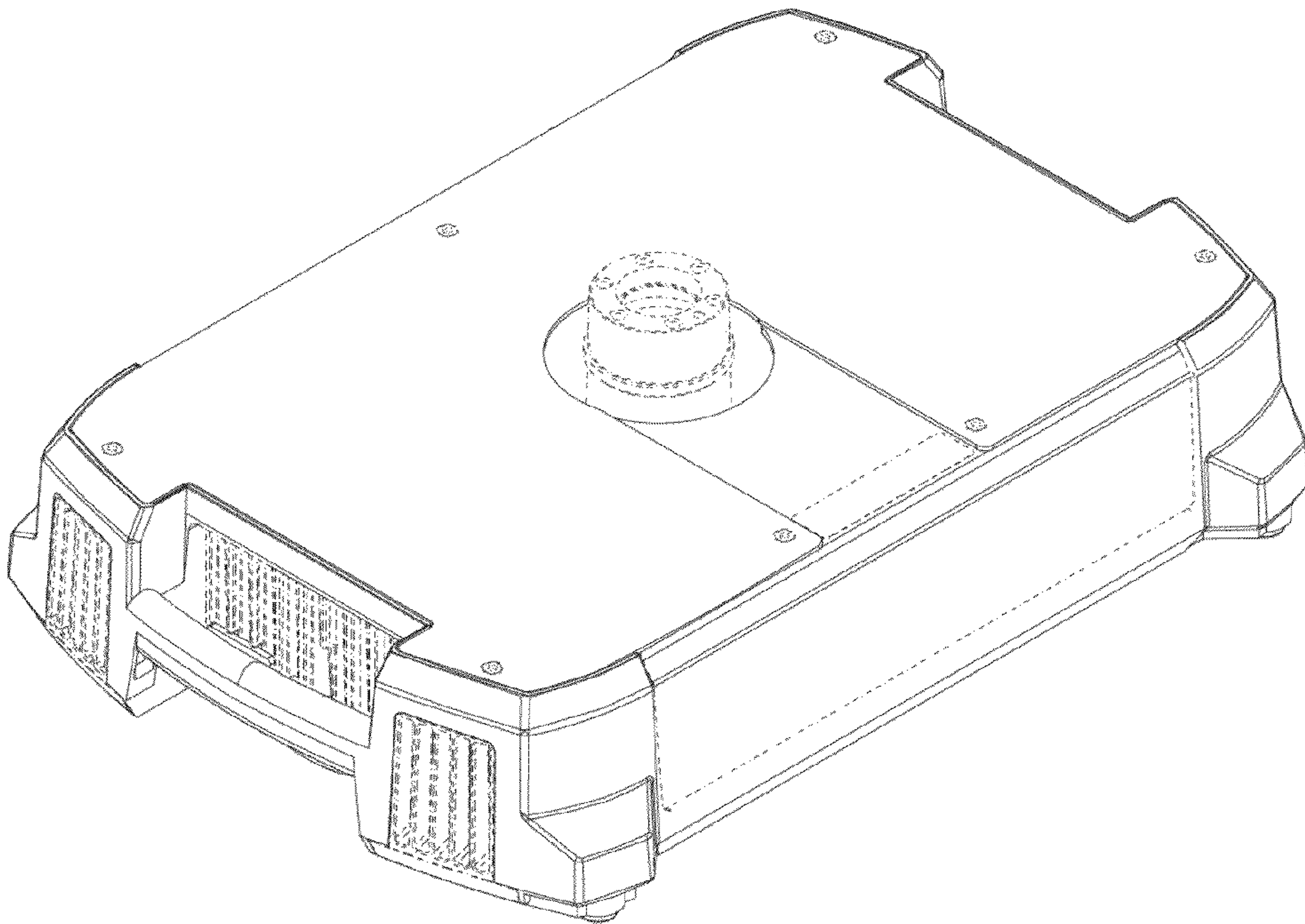


FIG. 1

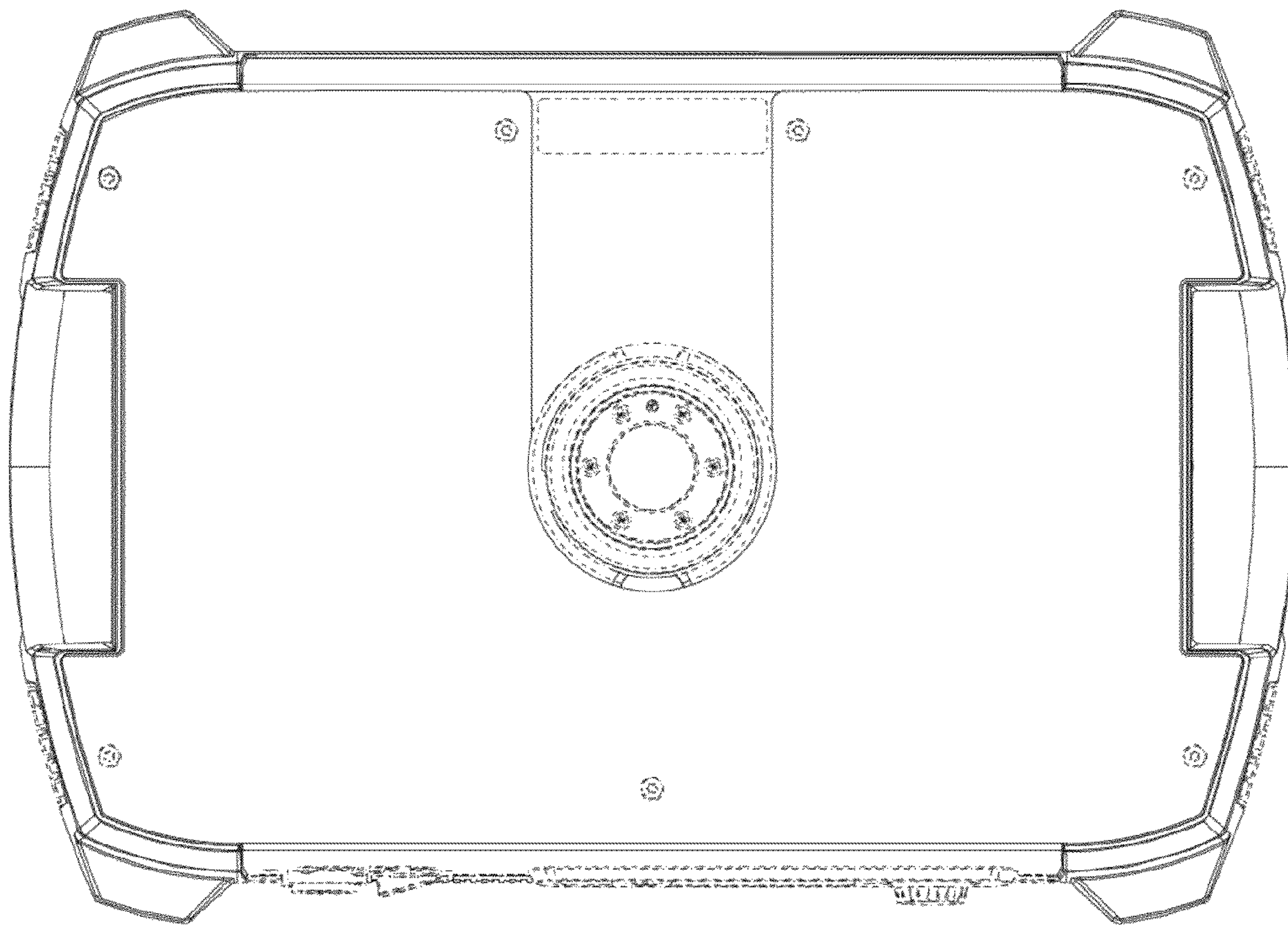


FIG. 2

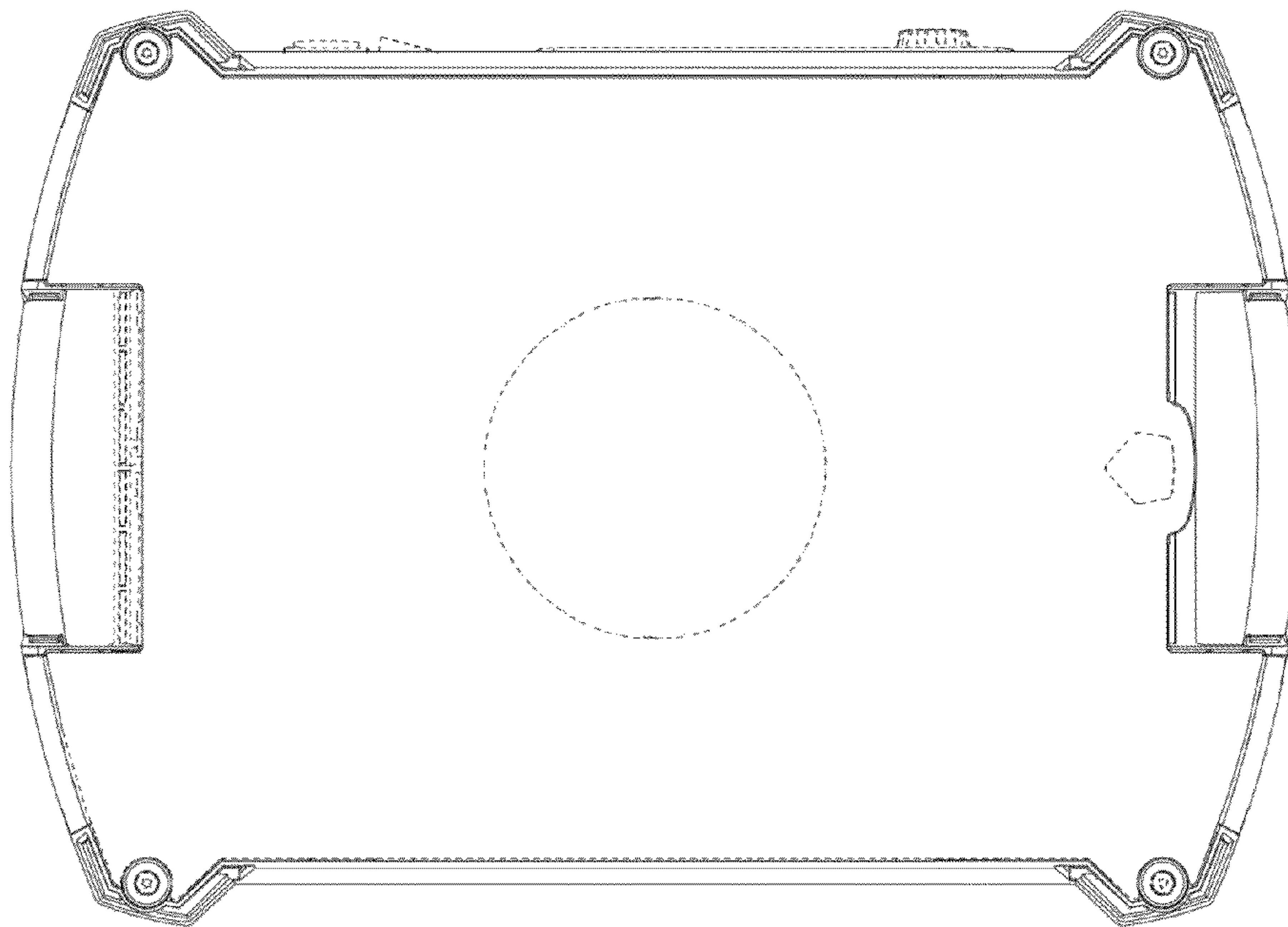


FIG. 3

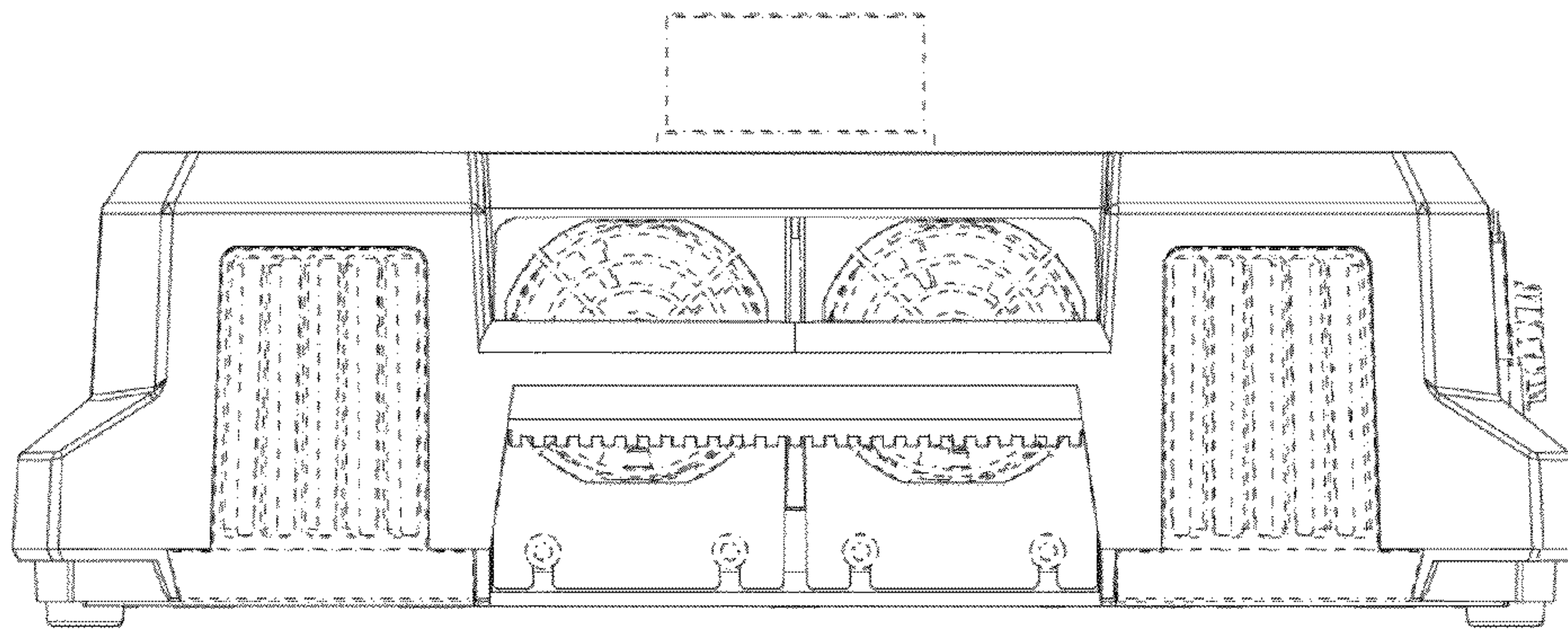


FIG. 4

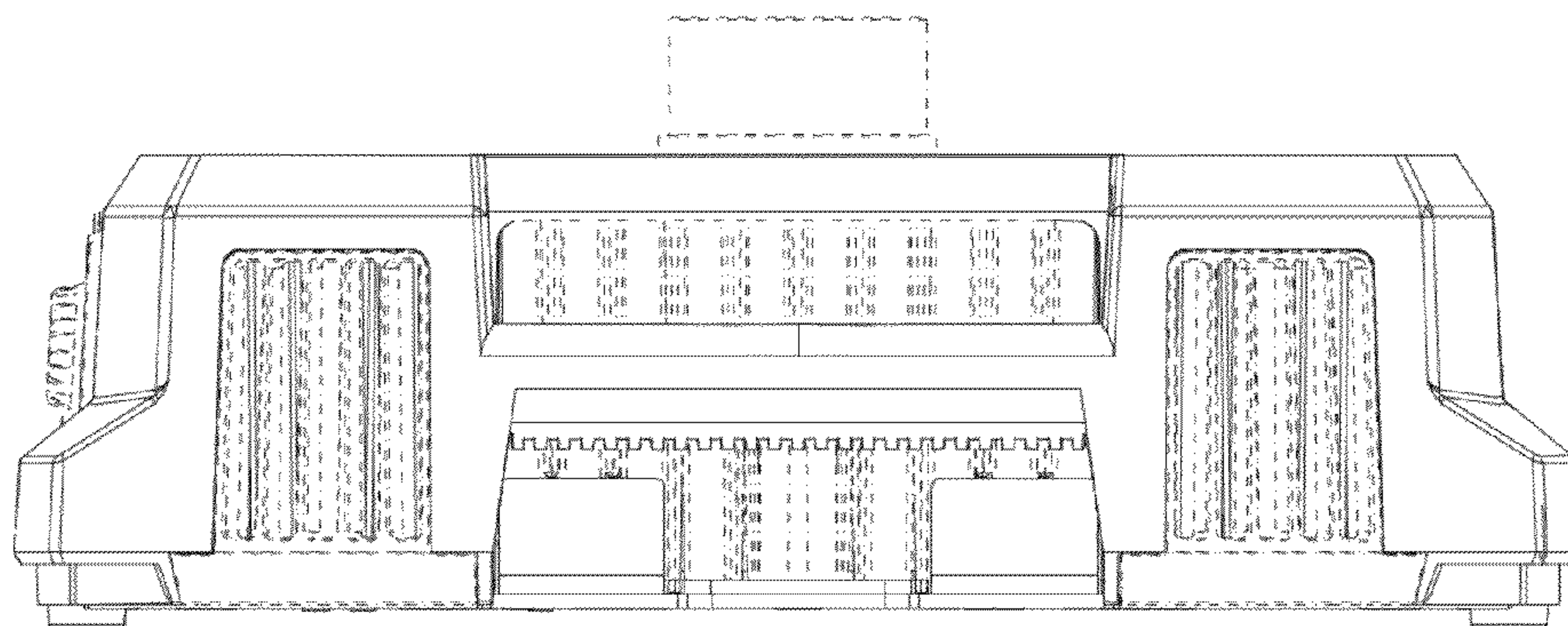


FIG. 5

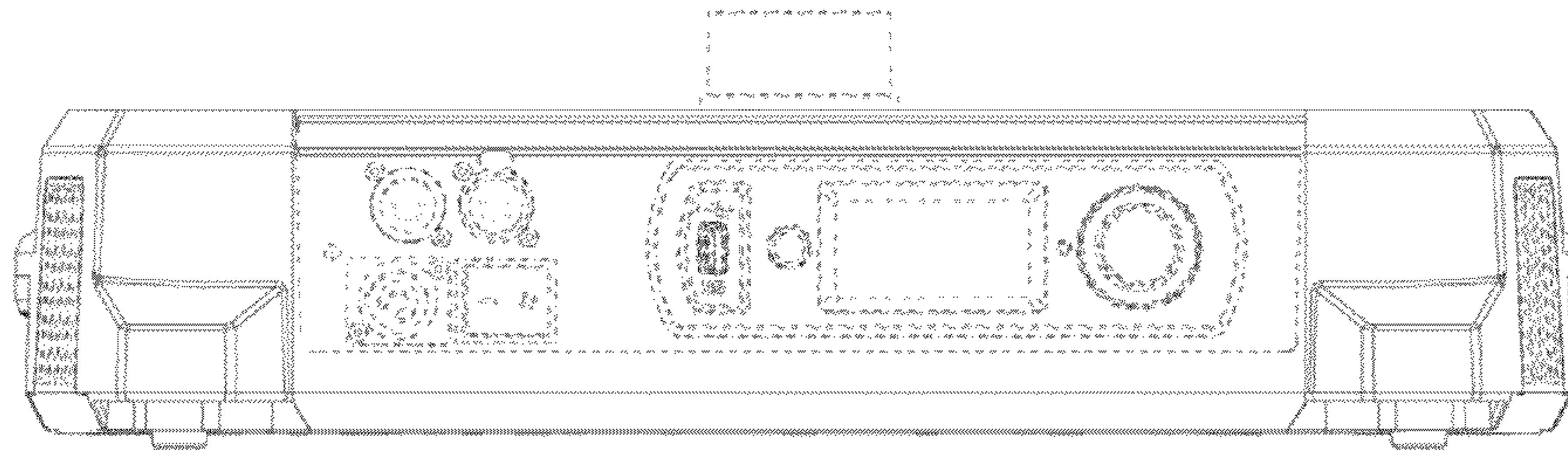


FIG. 6

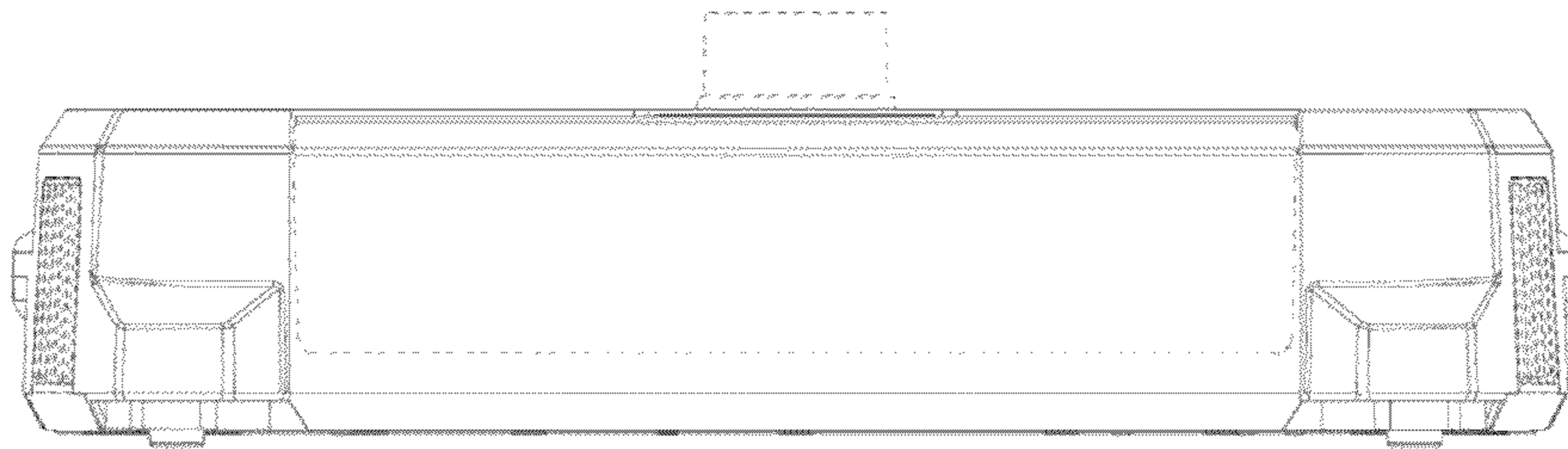


FIG. 7