

US00D694465S

(12) **United States Design Patent**
Demshki, Jr. et al.

(10) **Patent No.:** **US D694,465 S**

(45) **Date of Patent:** **** Nov. 26, 2013**

(54) **LIGHT HEAD MOUNT**

(56) **References Cited**

(71) Applicants: **Robert John Demshki, Jr.**, Huntington Beach, CA (US); **Jonathan Spicer**, Lakewood, CA (US); **Kevin Brian Eidsvold**, Orange, CA (US)

U.S. PATENT DOCUMENTS

D254,632	S	*	4/1980	Brendgord	D26/65
D326,928	S	*	6/1992	Wereley	D26/140
D351,676	S	*	10/1994	Phleps	D26/63
D377,619	S	*	1/1997	Sandell	D10/106.8
D548,125	S	*	8/2007	Bandringa et al.	D10/106.7
D621,984	S	*	8/2010	Mier-Langner et al.	D26/63

(72) Inventors: **Robert John Demshki, Jr.**, Huntington Beach, CA (US); **Jonathan Spicer**, Lakewood, CA (US); **Kevin Brian Eidsvold**, Orange, CA (US)

* cited by examiner

(73) Assignee: **Intense Lighting, LLC**, Anaheim, CA (US)

Primary Examiner — Zenia Bennett

(74) *Attorney, Agent, or Firm* — Weide & Miller, Ltd.

(**) Term: **14 Years**

(57) **CLAIM**

(21) Appl. No.: **29/434,328**

The ornamental design for a light head mount, as shown and described.

(22) Filed: **Oct. 11, 2012**

(51) **LOC (9) Cl.** **26-99**

(52) **U.S. Cl.**
USPC **D26/142**

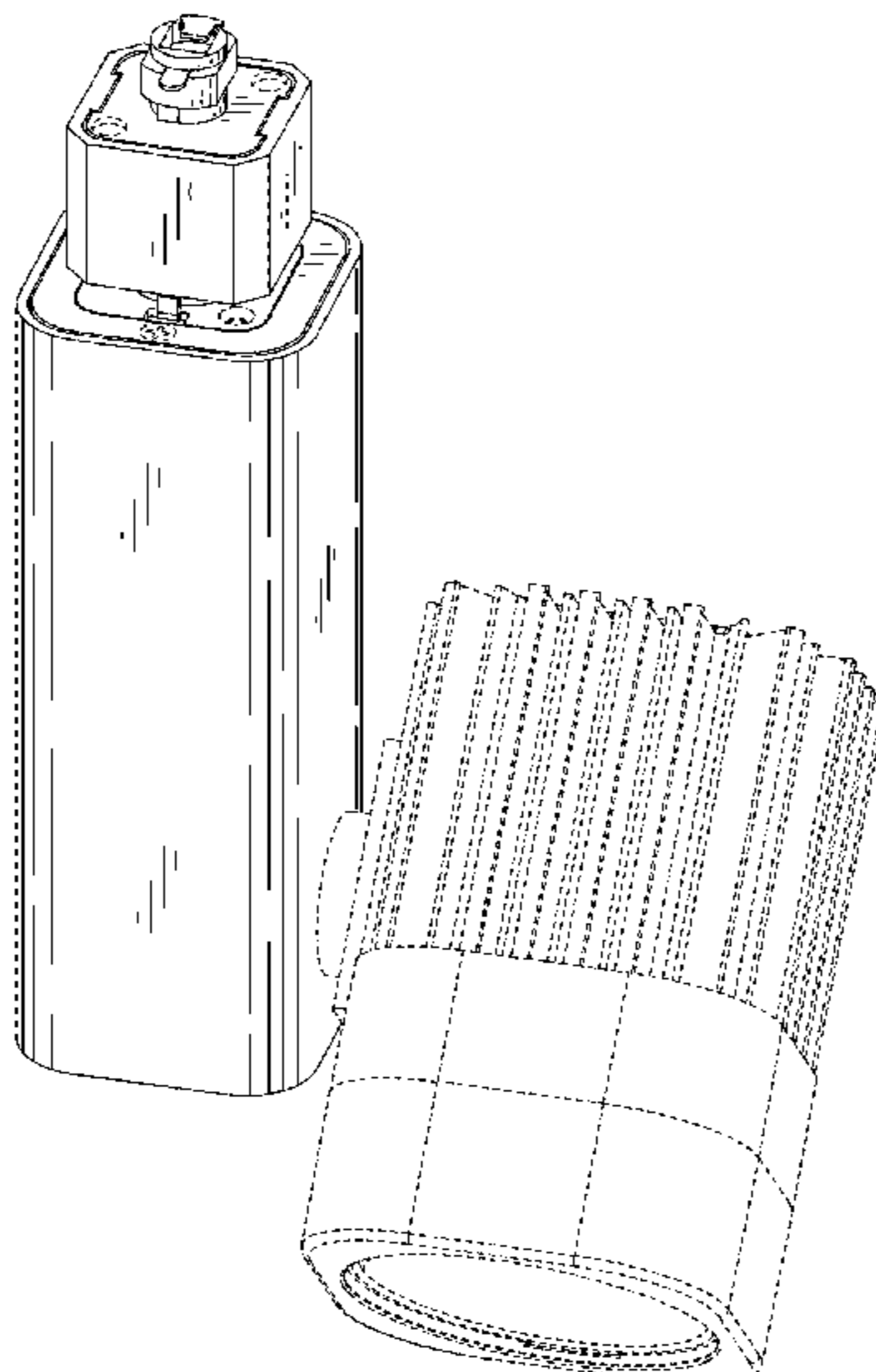
DESCRIPTION

(58) **Field of Classification Search**
USPC D26/25, 26, 28, 31, 35, 36, 37, 41, 42, D26/50, 51, 52, 64, 66, 67, 73, 75, 78, 85, D26/88, 89, 90, 103-106, 109, 110, 119, D26/123, 125, 129, 131, 135, 136, 138, 140, D26/143, 144; D13/179, 180; 362/92, 130, 362/132, 133, 183, 184, 190, 205, 216, 362/217.05, 218, 220, 223, 224, 241, 247, 362/249.03, 249.05-249.1, 249.11, 258, 362/260, 285, 287, 294.02, 297, 327, 345, 362/354, 373-379, 410, 418, 419, 510, 516, 362/558, 561; 248/339, 557, 558; D8/354, D8/373, 377, 382; D25/60, 119, 124, 125; 52/455; 349/59-62, 64-67, 113; 438/15; 345/102; D12/406; D10/111, D10/114.1; D11/121, 125, 144, 145; 428/11; 257/96, 97, 98, 99

FIG. 1 is a front perspective view of a light head mount in accordance with a first embodiment of the present invention; FIG. 2 is a top plan view of the light head mount illustrated in FIG. 1; FIG. 3 is a first side plan view of the light head mount illustrated in FIG. 1; FIG. 4 is a second side plan view of the light head mount illustrated in FIG. 1; FIG. 5 is a third side plan view of the light head mount illustrated in FIG. 1; FIG. 6 is a fourth side plan view of the light head mount illustrated in FIG. 1; and, FIG. 7 is a bottom plan view of the light head mount illustrated in FIG. 1. The features of the light head mount shown in dotted line are for illustrative purposes only and form no part of the claimed design.

See application file for complete search history.

1 Claim, 3 Drawing Sheets



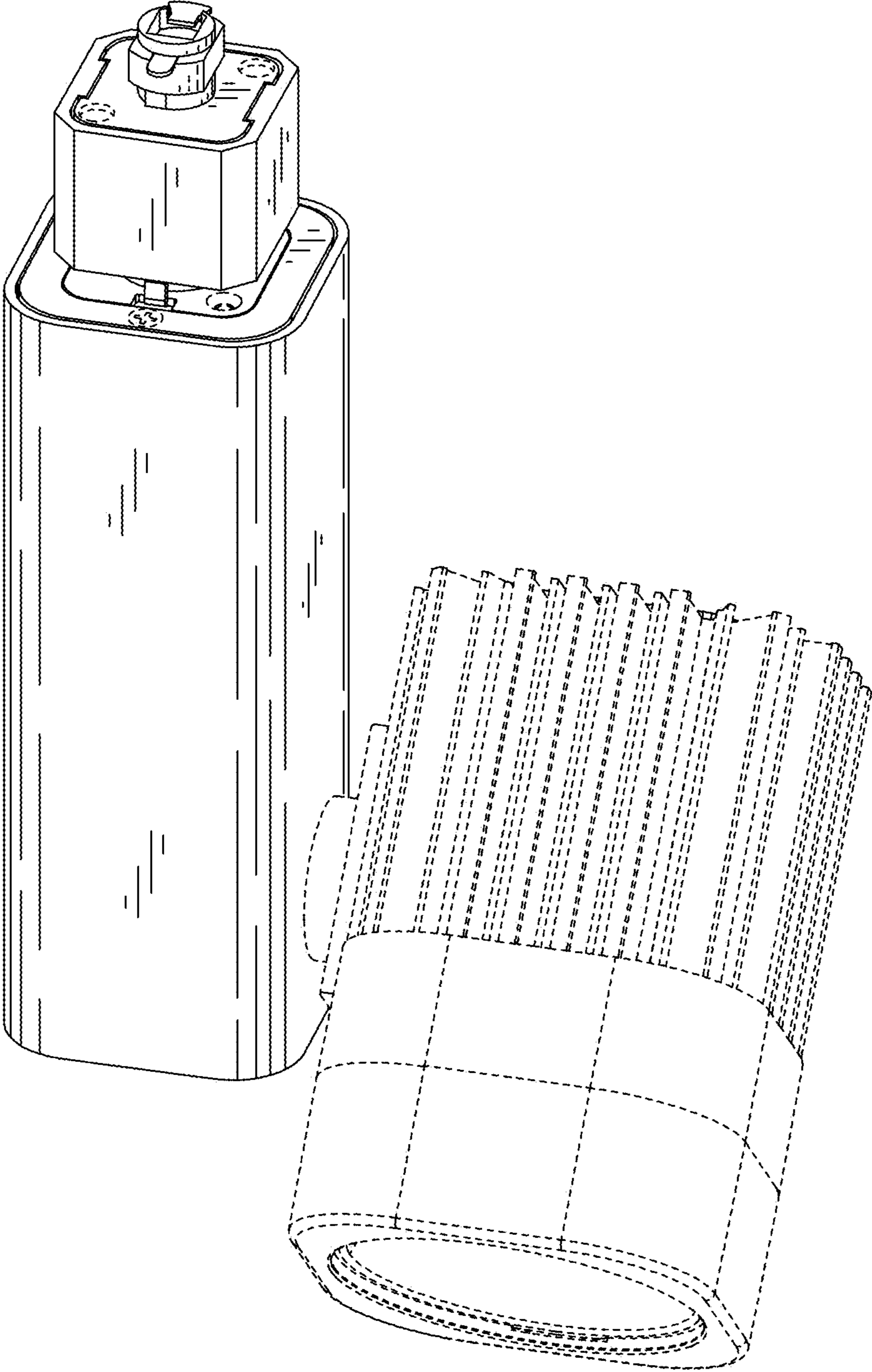


Fig. 1

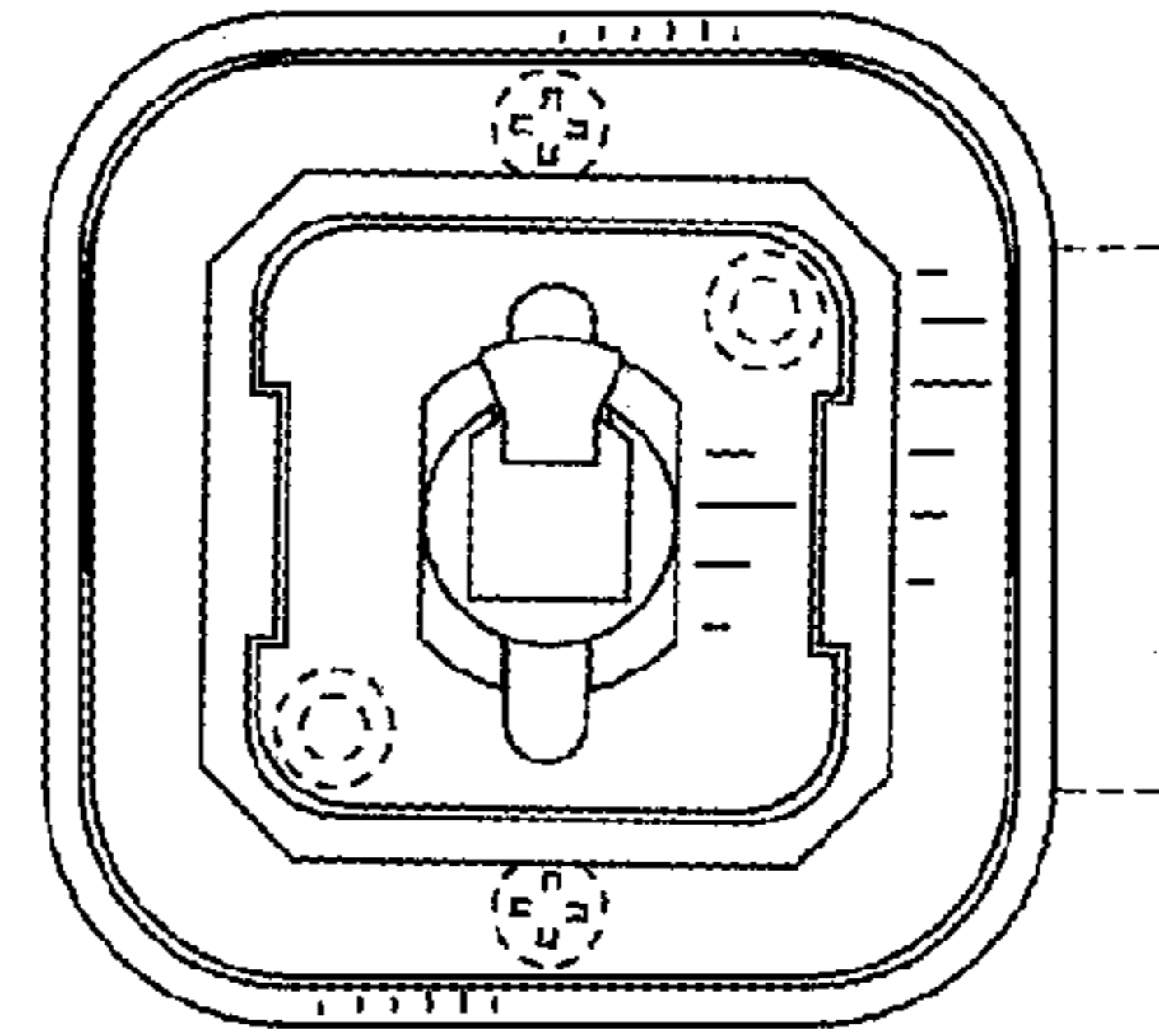


Fig. 2

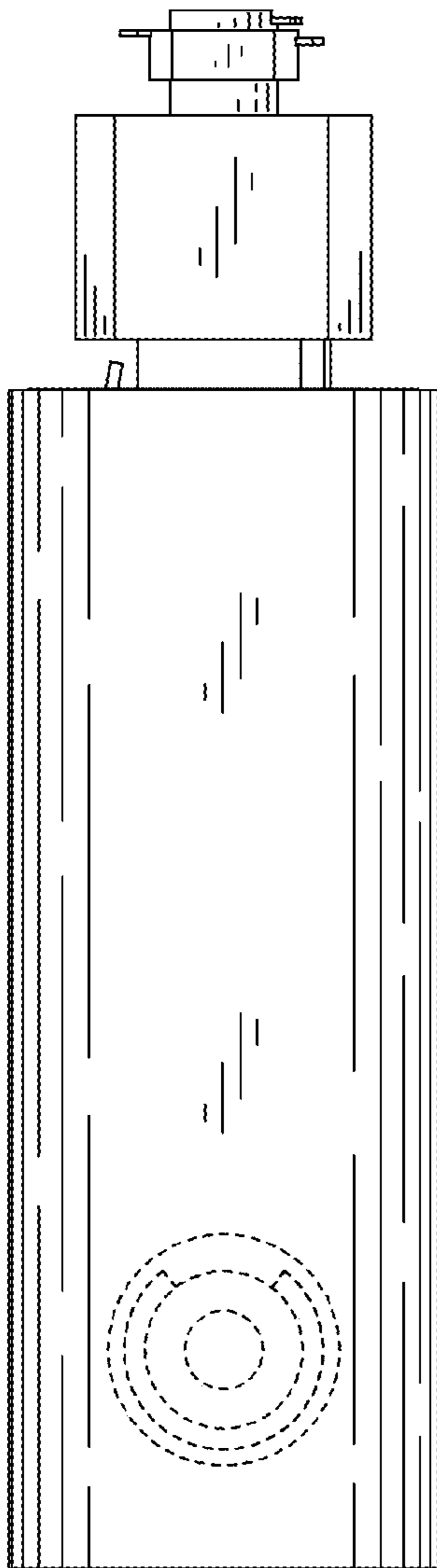


Fig. 3

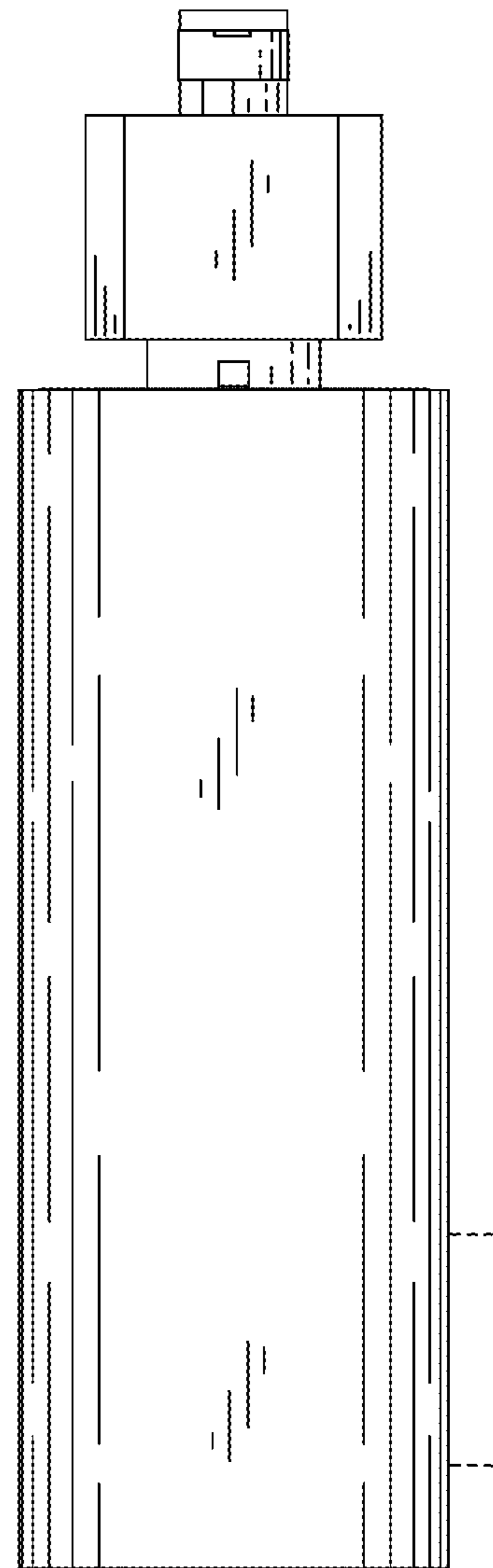


Fig. 4

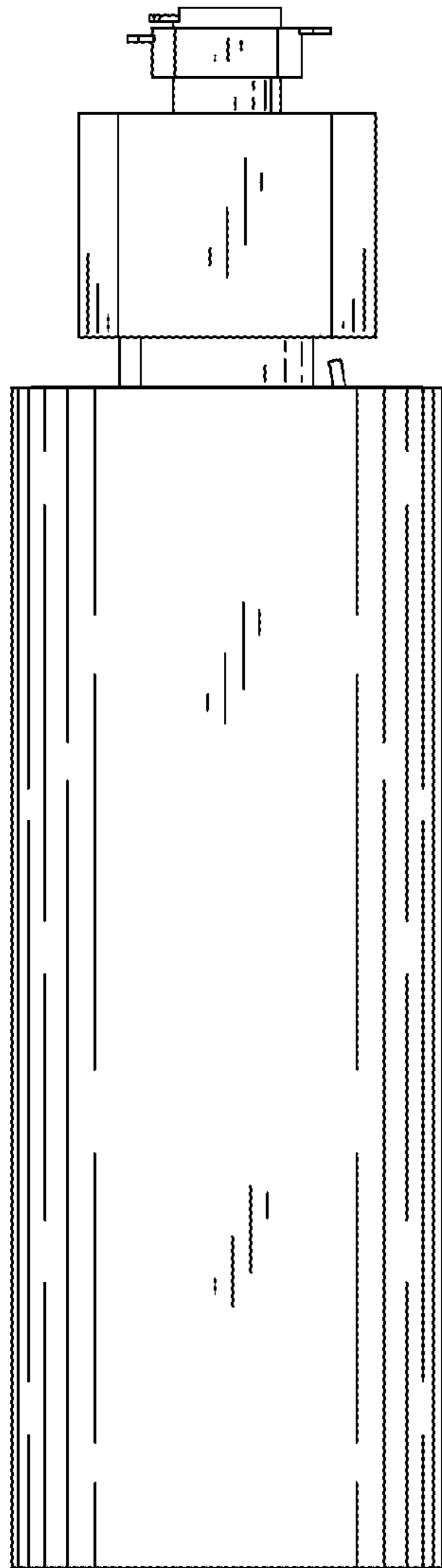


Fig. 5

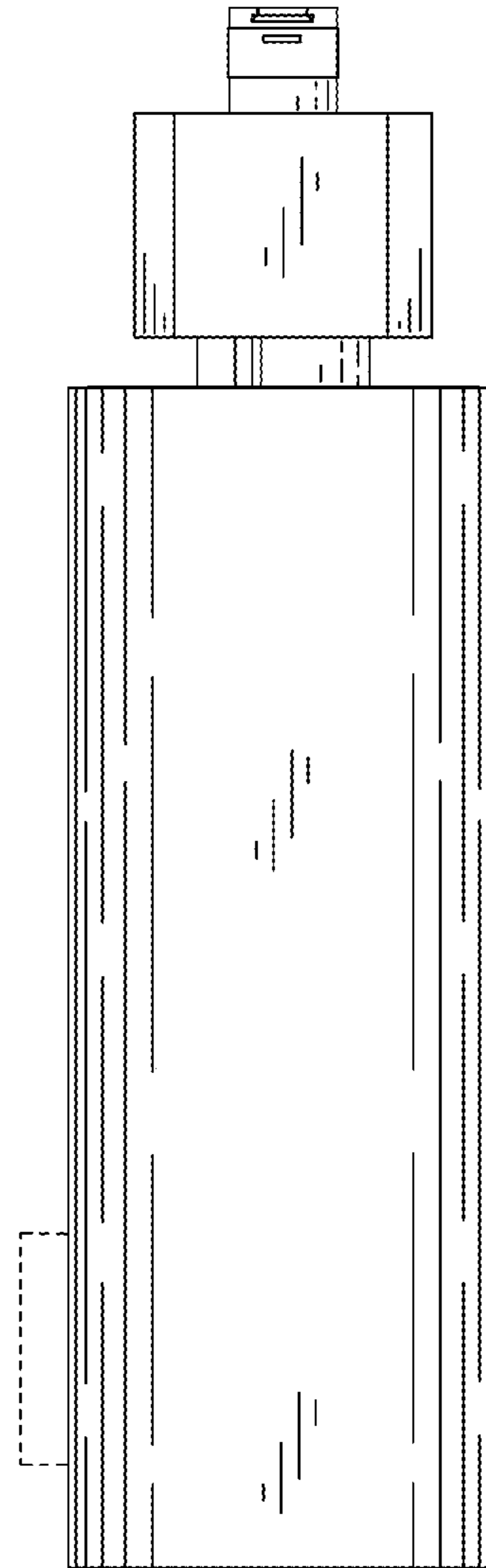


Fig. 6

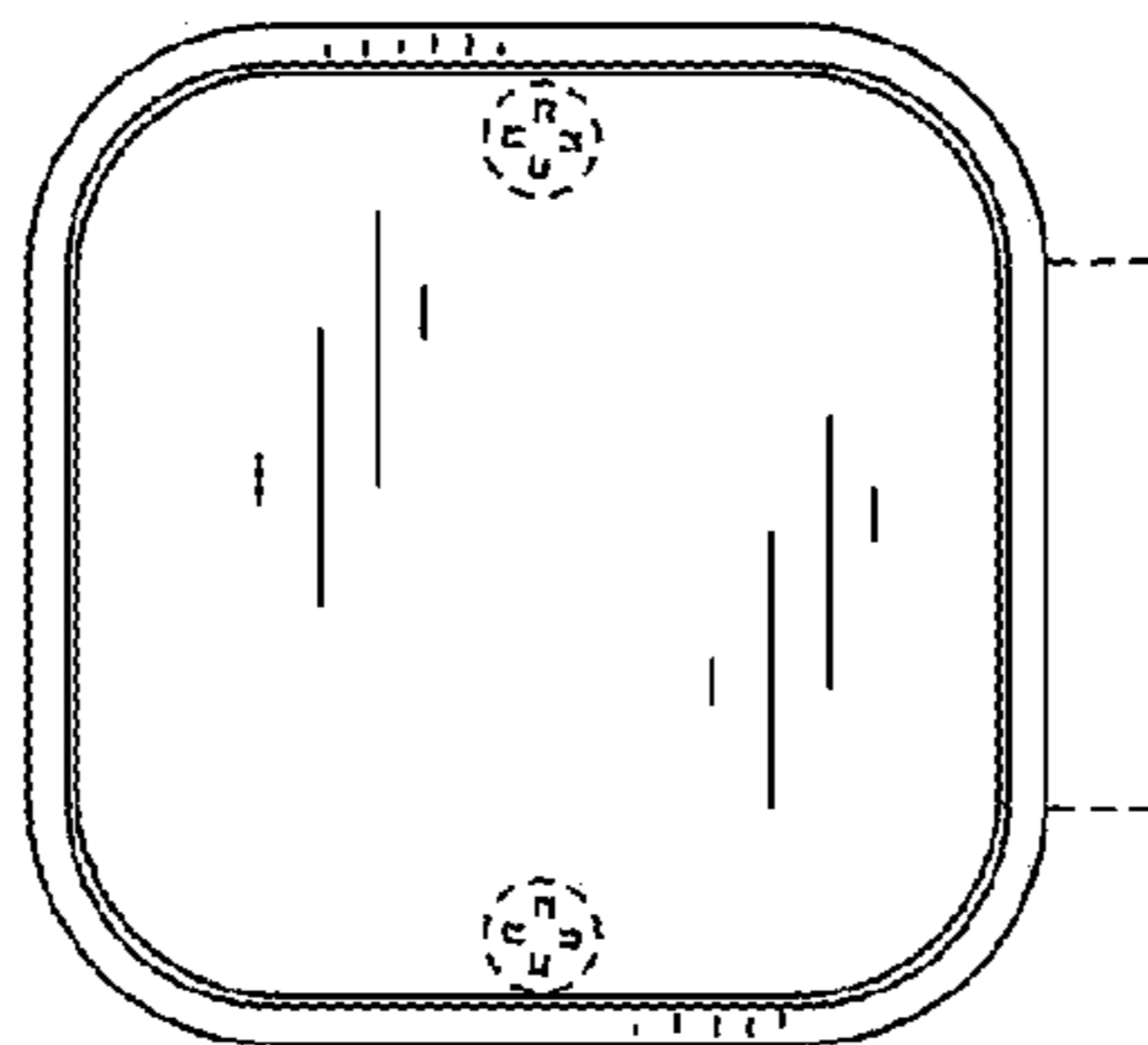


Fig. 7