

US00D694461S

(12) **United States Design Patent**
Fang

(10) **Patent No.:** **US D694,461 S**

(45) **Date of Patent:** **** Nov. 26, 2013**

(54) **LIGHTING APPARATUS**

(75) Inventor: **Yi Fang, Yuyao (CN)**

(73) Assignee: **Ningbo UTEC Electric Co. Ltd. (CN)**

(**) Term: **14 Years**

(21) Appl. No.: **29/418,499**

(22) Filed: **Apr. 17, 2012**

(51) **LOC (9) Cl.** **26-03**

(52) **U.S. Cl.**
USPC **D26/92**

(58) **Field of Classification Search**
USPC D26/63, 72, 80, 84-92, 118; 362/147,
362/373, 404-408, 431, 432
See application file for complete search history.

(56) **References Cited**

U.S. PATENT DOCUMENTS

D203,350 S *	12/1965	Bobrick	D26/69
D203,351 S *	12/1965	Bobrick	D26/69
D219,061 S *	10/1970	Madsen	D26/70
D279,410 S *	6/1985	Fiorentino et al.	D26/69
D528,242 S *	9/2006	Wood	D26/67
D578,696 S *	10/2008	Wang et al.	D26/70
D615,232 S *	5/2010	Xiao et al.	D26/69

D621,986 S *	8/2010	Yan	D26/69
D621,987 S *	8/2010	Tsai et al.	D26/69
D622,432 S *	8/2010	Yan	D26/69
D634,872 S *	3/2011	Guercio	D26/69
D647,236 S *	10/2011	Chang	D26/70
D655,435 S *	3/2012	Howis et al.	D26/69

* cited by examiner

Primary Examiner — Clare E Heflin

(74) *Attorney, Agent, or Firm* — Raymond Sun

(57) **CLAIM**

The ornamental design for a lighting apparatus, as shown and described.

DESCRIPTION

FIG. 1 is a perspective view of a lighting apparatus showing my new design.

FIG. 2 is a top plan view thereof;

FIG. 3 is a bottom plan view thereof;

FIG. 4 is a front elevational view thereof;

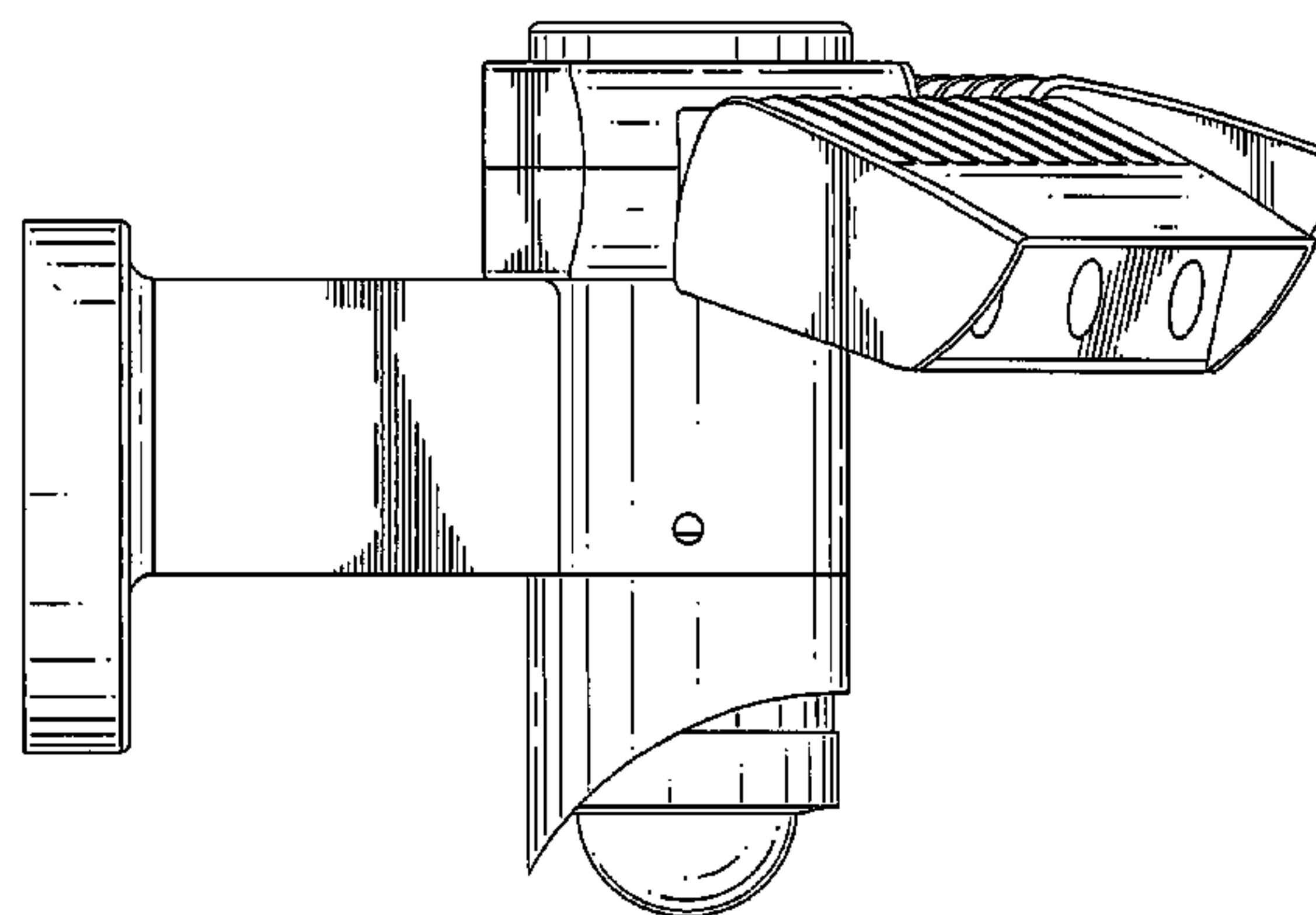
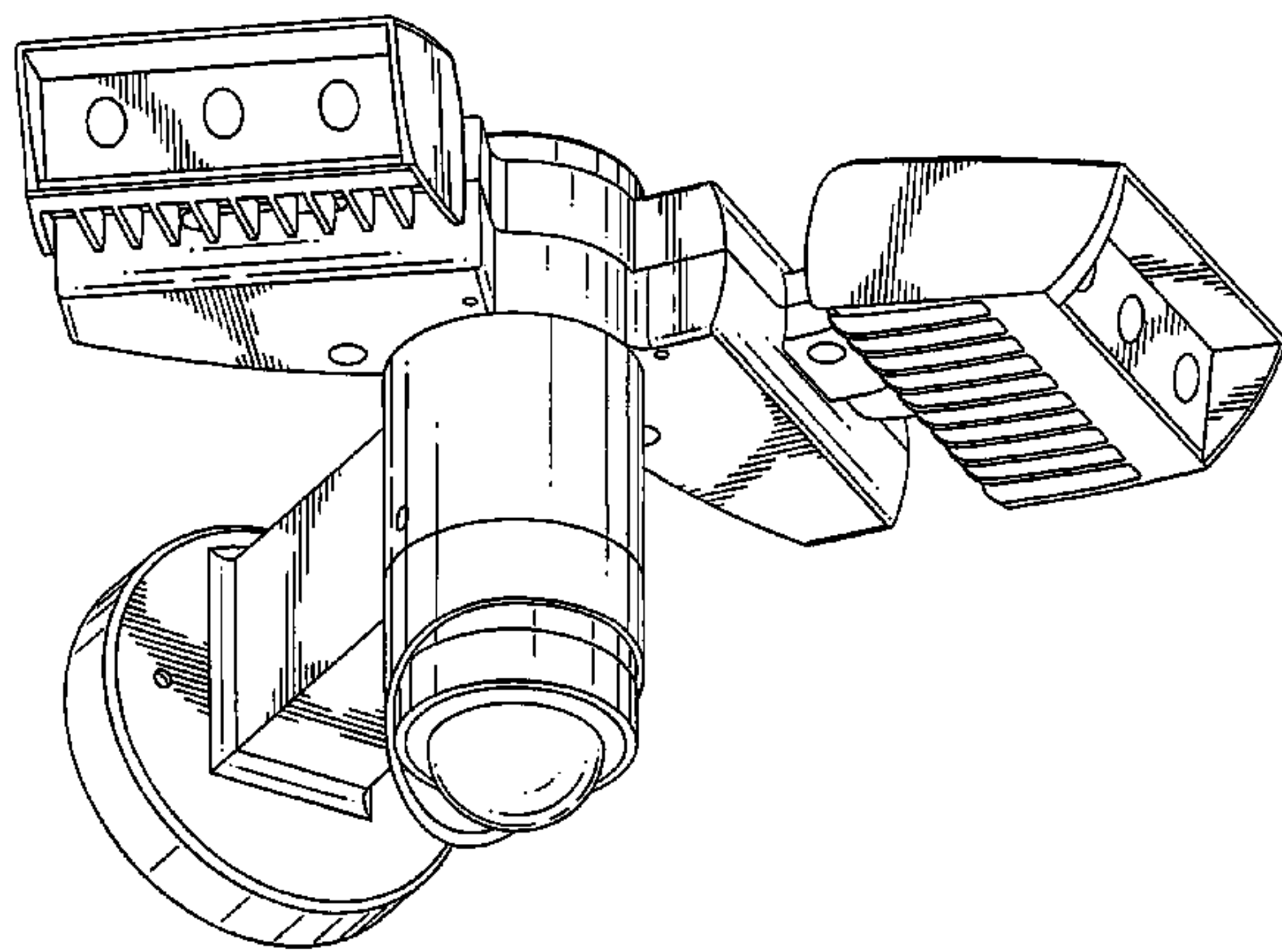
FIG. 5 is a rear elevational view thereof;

FIG. 6 is a left side elevational view thereof; and,

FIG. 7 is a right side elevational view of the lighting apparatus.

The broken lines shown on the drawings depict portions of the lighting apparatus that form no part of the claimed design.

1 Claim, 7 Drawing Sheets



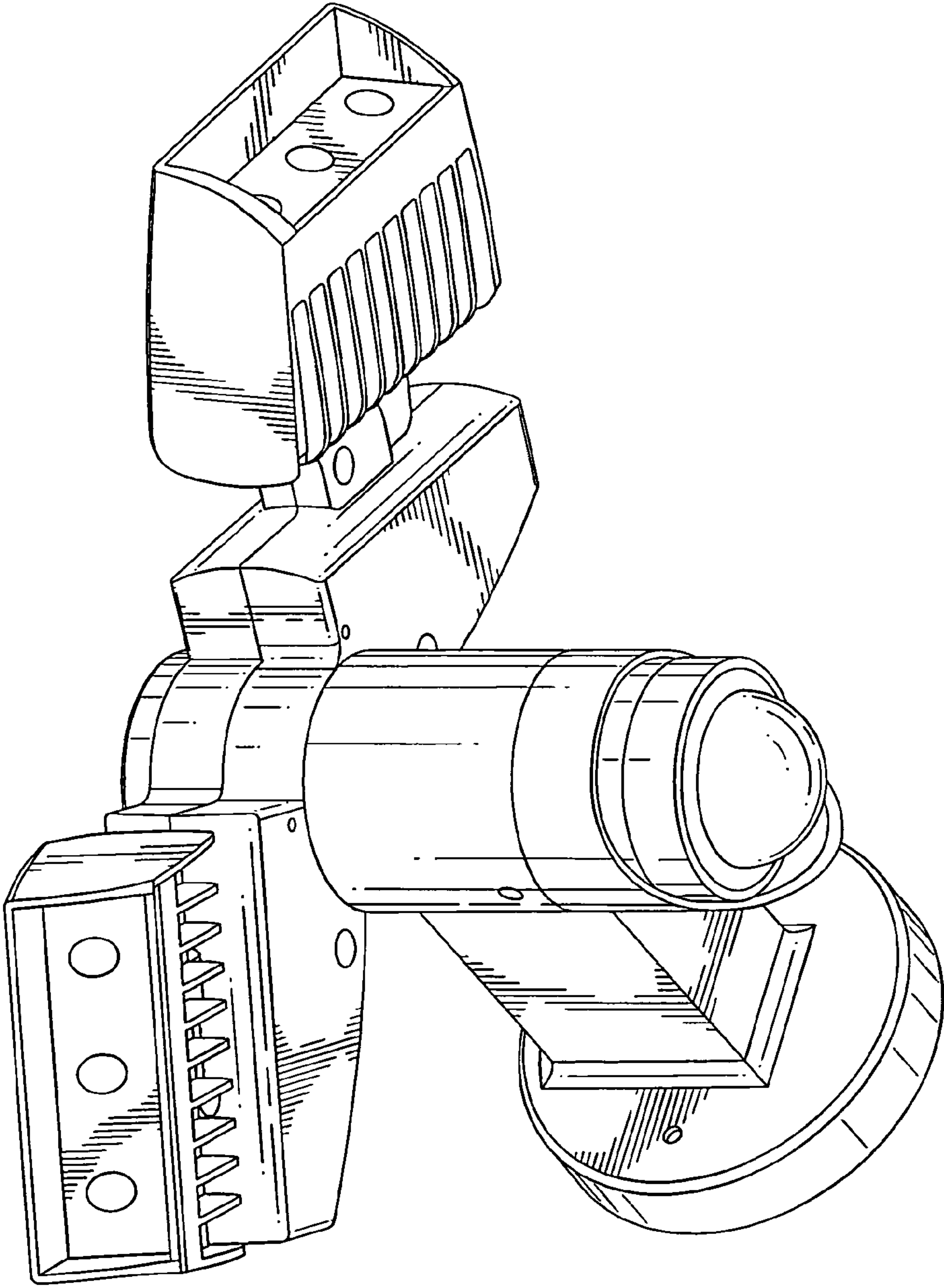


FIG. 1

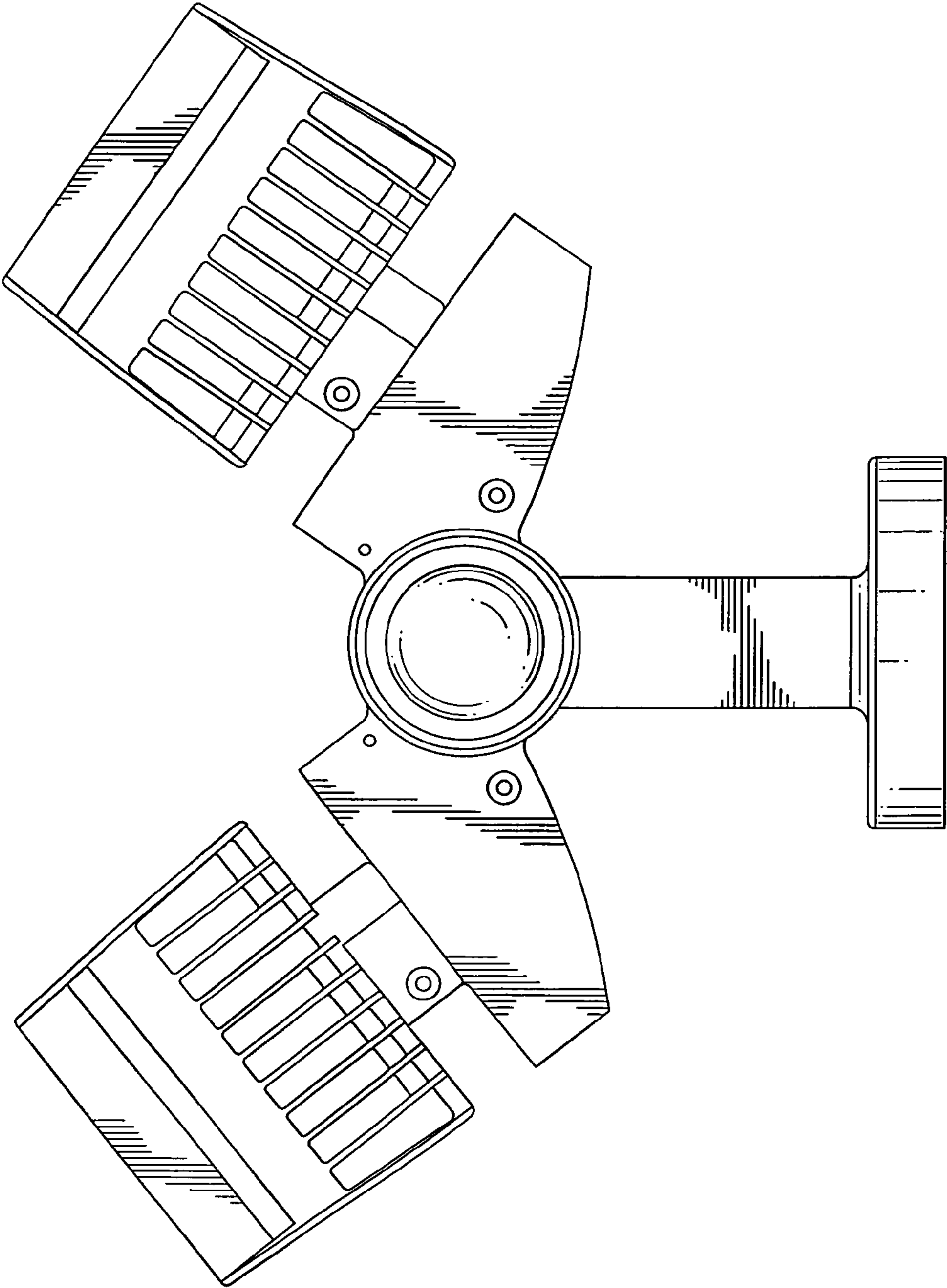


FIG.2

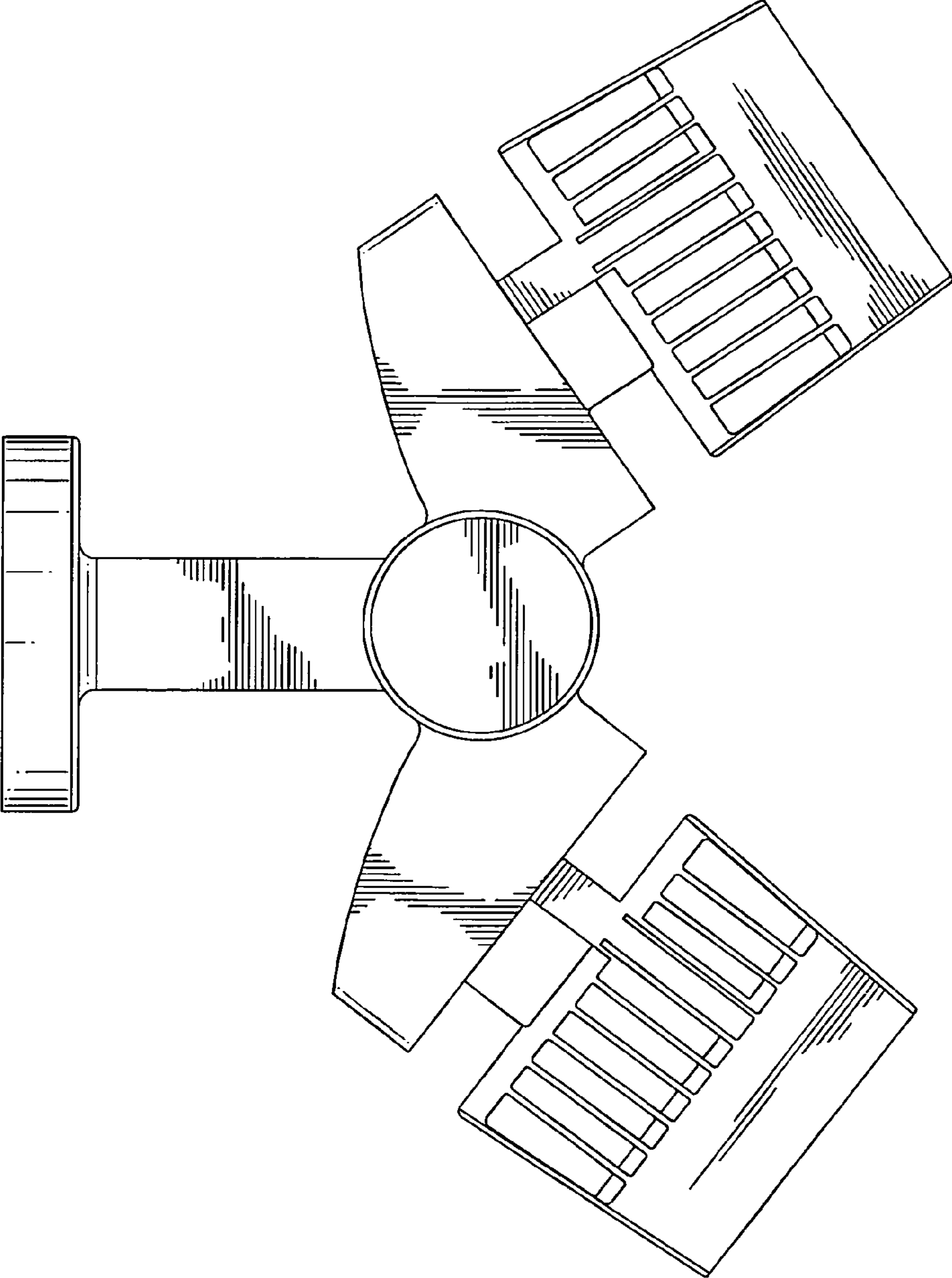


FIG.3

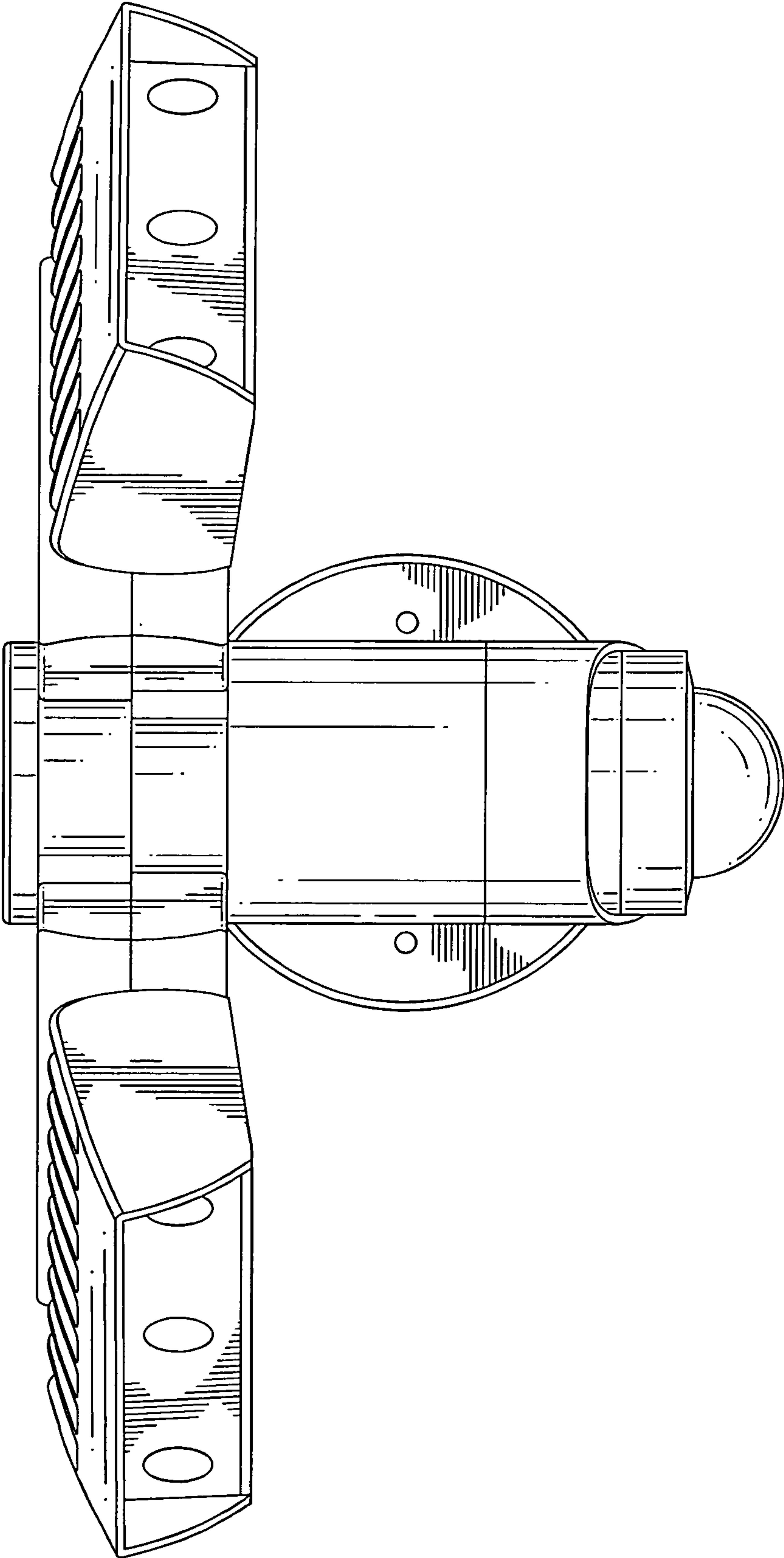


FIG.4

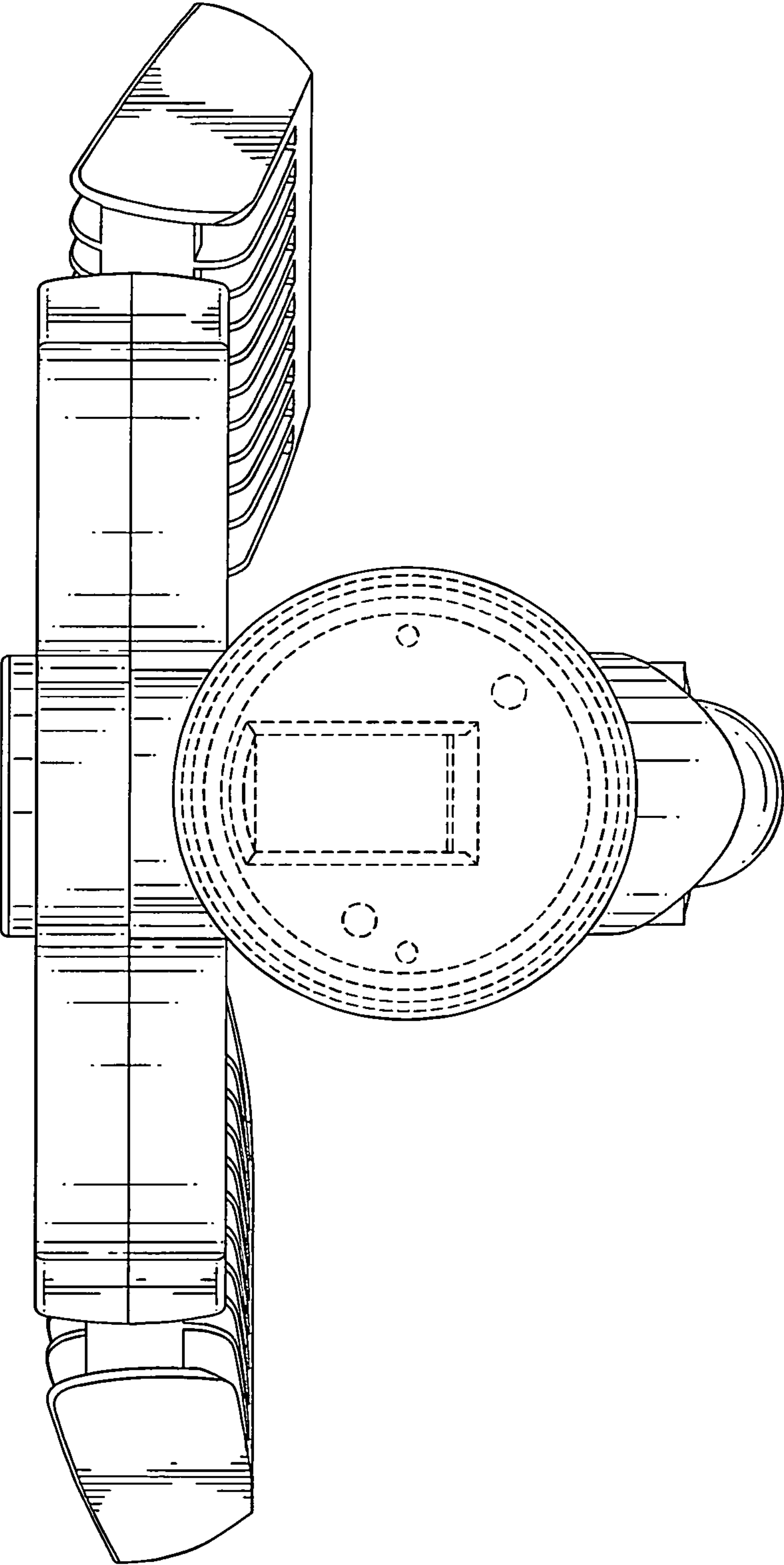


FIG. 5

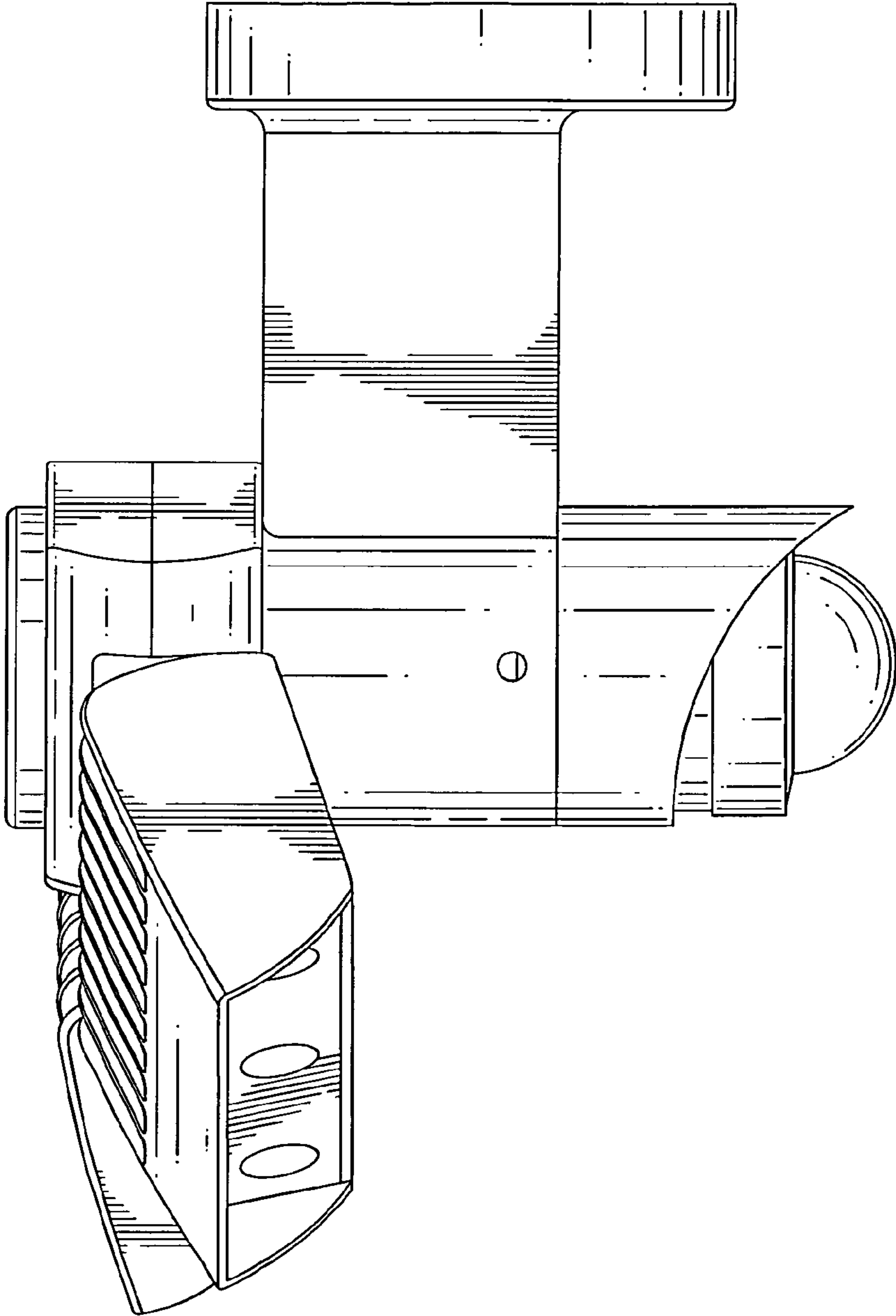


FIG. 6

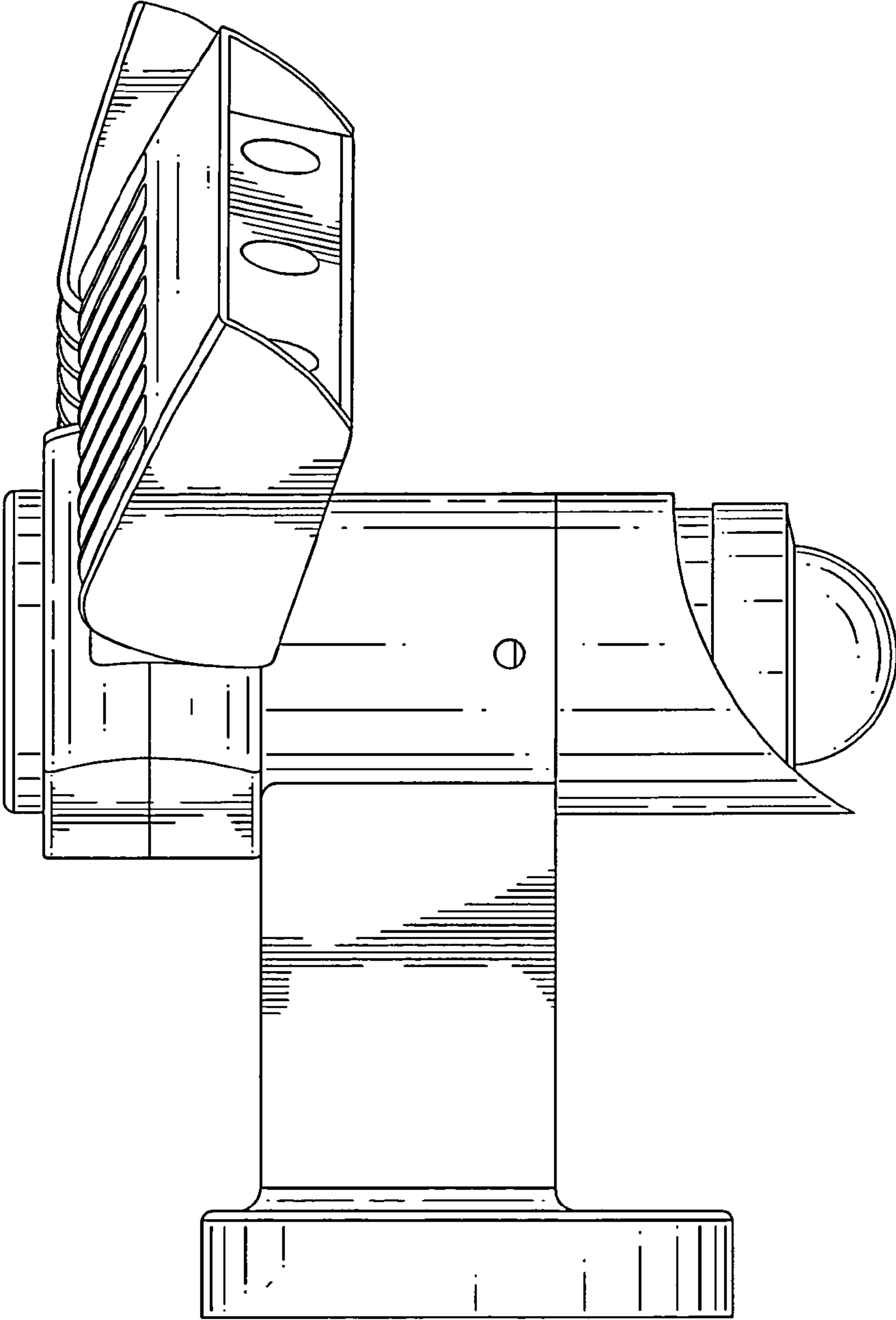


FIG. 7