



US00D694460S

(12) **United States Design Patent**  
**Fang**

(10) **Patent No.:** **US D694,460 S**

(45) **Date of Patent:** **\*\* Nov. 26, 2013**

(54) **LIGHTING APPARATUS**

(75) Inventor: **Yi Fang, Yuyao (CN)**

(73) Assignee: **Ningbo UTEC Electric Co. Ltd. (CN)**

(\*\*) Term: **14 Years**

(21) Appl. No.: **29/418,461**

(22) Filed: **Apr. 17, 2012**

(51) **LOC (9) Cl.** ..... **26-03**

(52) **U.S. Cl.**  
USPC ..... **D26/92**

(58) **Field of Classification Search**  
USPC ..... D26/70, 71, 72, 80, 85, 87, 92, 118;  
362/147, 431, 432, 183, 33, 294  
See application file for complete search history.

(56) **References Cited**

**U.S. PATENT DOCUMENTS**

D214,945 S *	8/1969	Vesely et al. ....	D26/68
D219,546 S *	12/1970	Kaiser et al. ....	D26/68
3,624,269 A *	11/1971	Latta ..... 362/431	
D292,531 S *	10/1987	Van Deelen ..... D26/87	
D309,793 S *	8/1990	Frattini ..... D26/87	
D343,022 S *	1/1994	Solberg et al. .... D26/68	
D482,487 S *	11/2003	Russello et al. .... D26/87	
D531,342 S *	10/2006	Kauffman et al. .... D26/68	
D555,821 S *	11/2007	Russello et al. .... D26/71	
D573,751 S *	7/2008	Citterio ..... D26/87	
D580,586 S *	11/2008	Zhou et al. .... D26/92	

D590,089 S *	4/2009	Citterio ..... D26/87	
D598,156 S *	8/2009	Xiao et al. .... D26/69	
D598,597 S *	8/2009	Lu et al. .... D26/68	
D598,598 S *	8/2009	Zhou et al. .... D26/68	
D614,795 S *	4/2010	van Klinken ..... D26/92	
D619,748 S *	7/2010	Jong ..... D26/71	
D627,093 S *	11/2010	Shiau et al. .... D26/71	
D632,000 S *	2/2011	Little et al. .... D26/71	
D636,107 S *	4/2011	Compton ..... D26/71	
D637,335 S *	5/2011	Bembridge ..... D26/69	

\* cited by examiner

*Primary Examiner* — Clare E Heflin

(74) *Attorney, Agent, or Firm* — Raymond Sun

(57) **CLAIM**

The ornamental design for a lighting apparatus, as shown and described.

**DESCRIPTION**

FIG. 1 is a perspective view of a lighting apparatus showing my new design.

FIG. 2 is a top plan view thereof;

FIG. 3 is a bottom plan view thereof;

FIG. 4 is a front elevational view thereof;

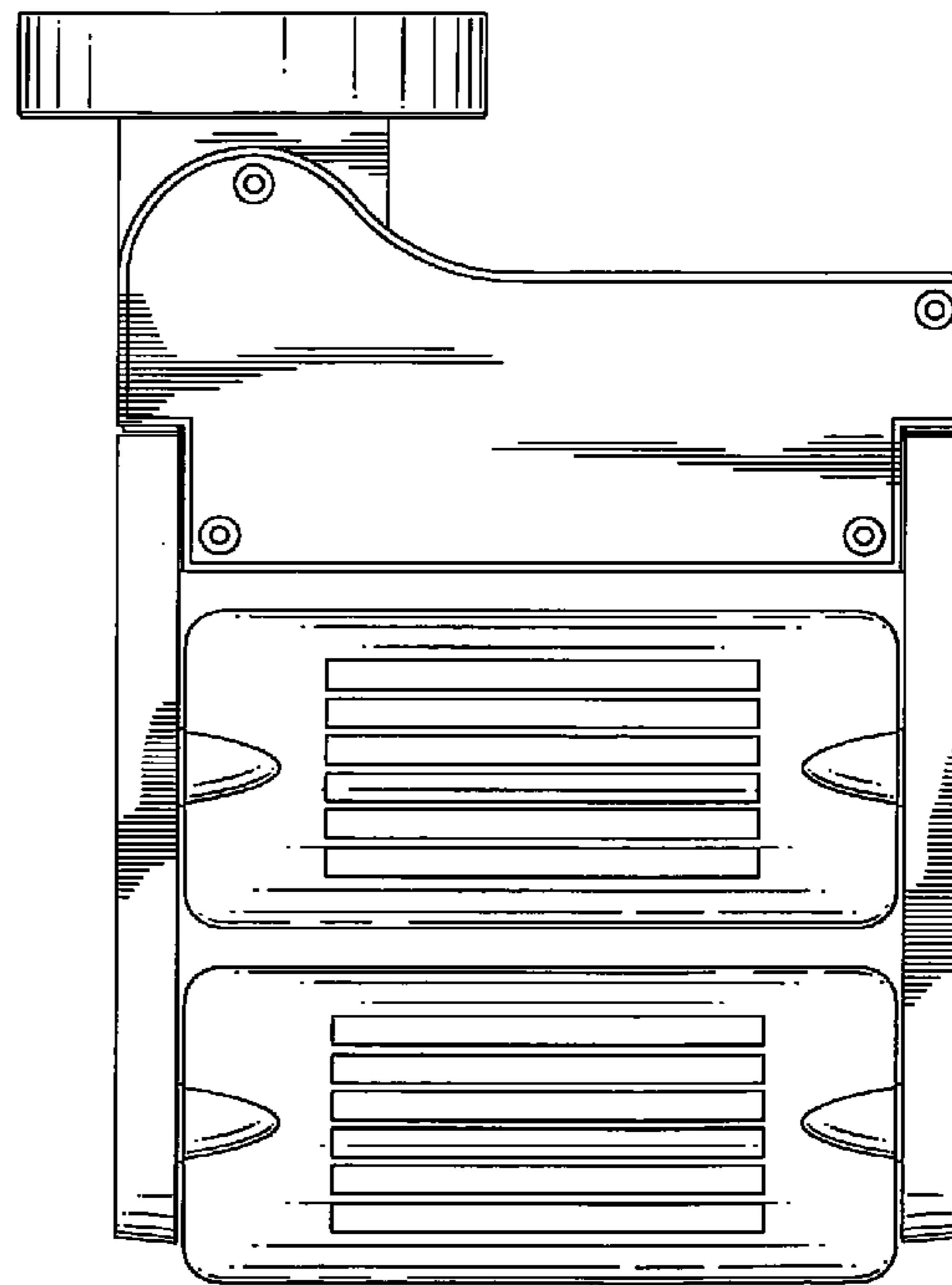
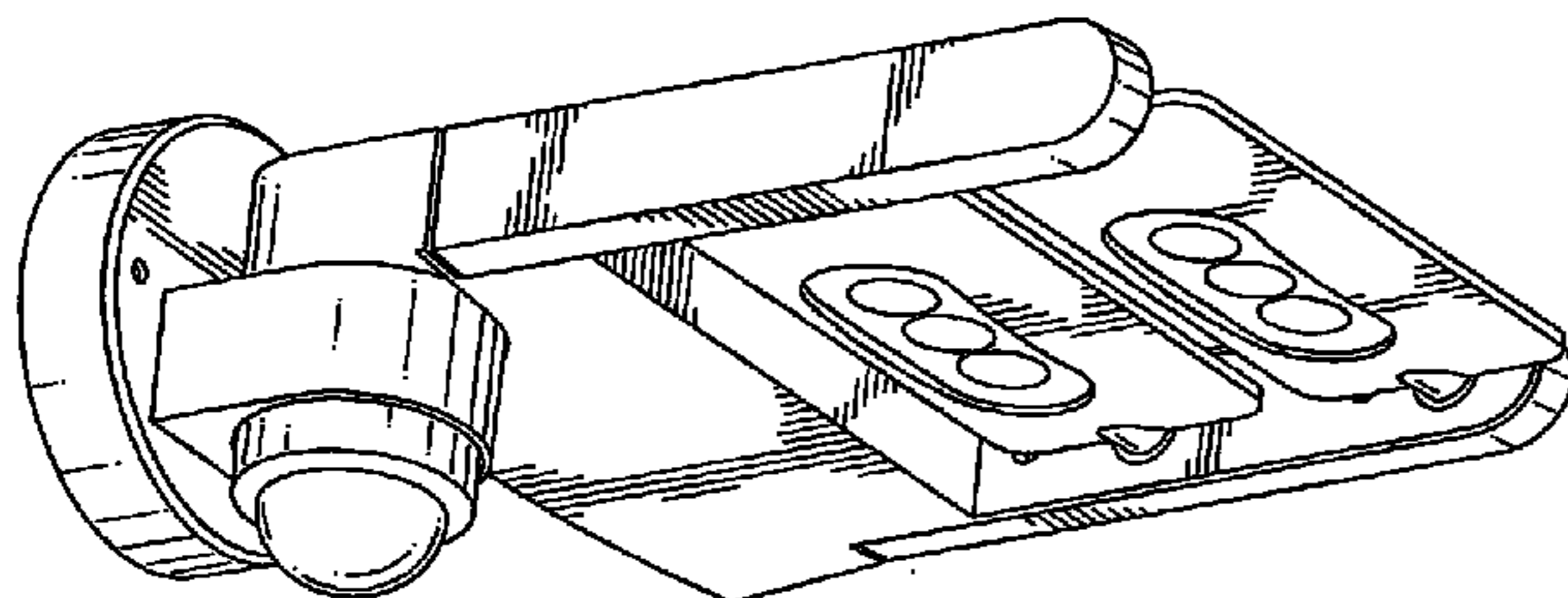
FIG. 5 is a rear elevational view thereof;

FIG. 6 is a left side elevational view thereof; and,

FIG. 7 is a right side elevational view of the lighting apparatus.

The broken lines shown in FIG. 3 depict portions of the lighting apparatus that form no part of the claimed design.

**1 Claim, 7 Drawing Sheets**



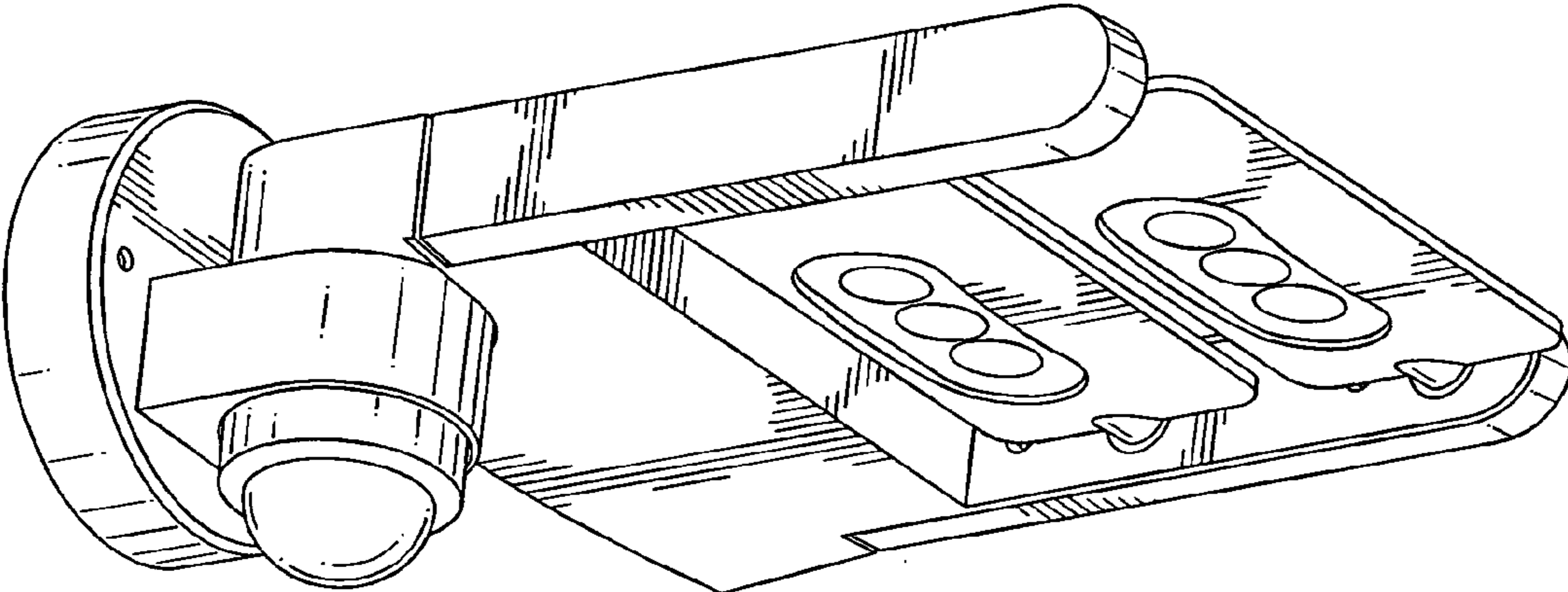


FIG. 1

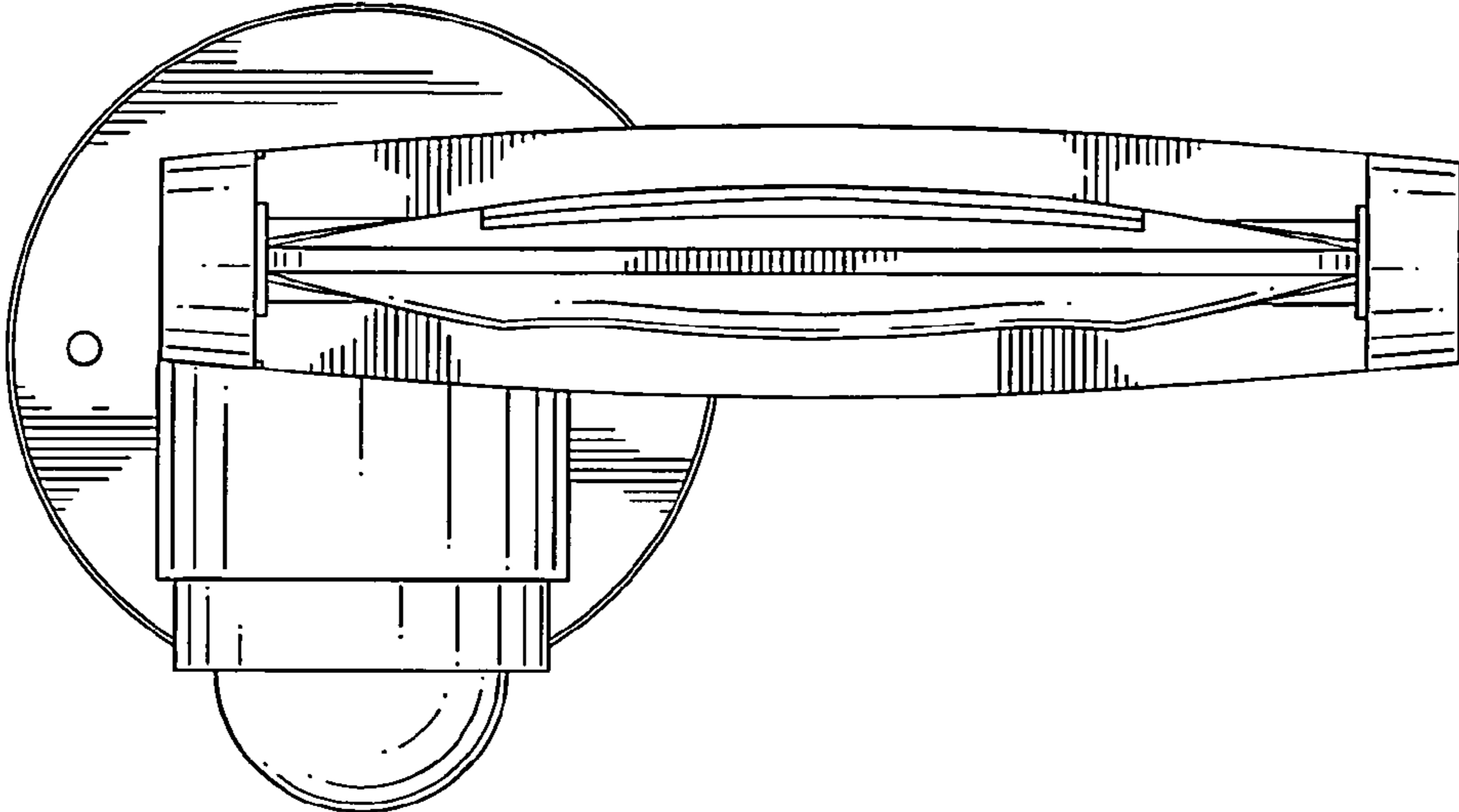


FIG.2

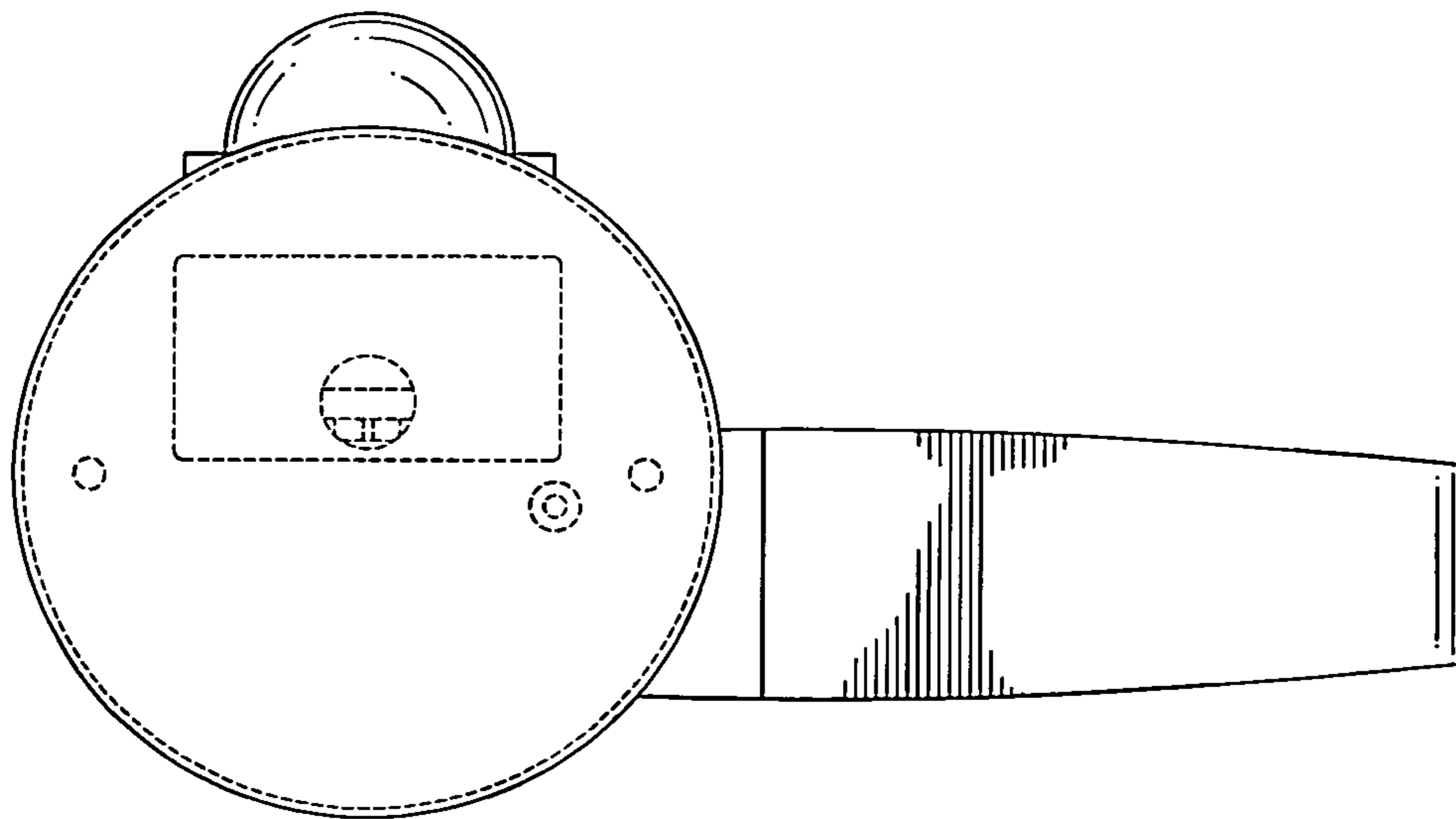


FIG.3

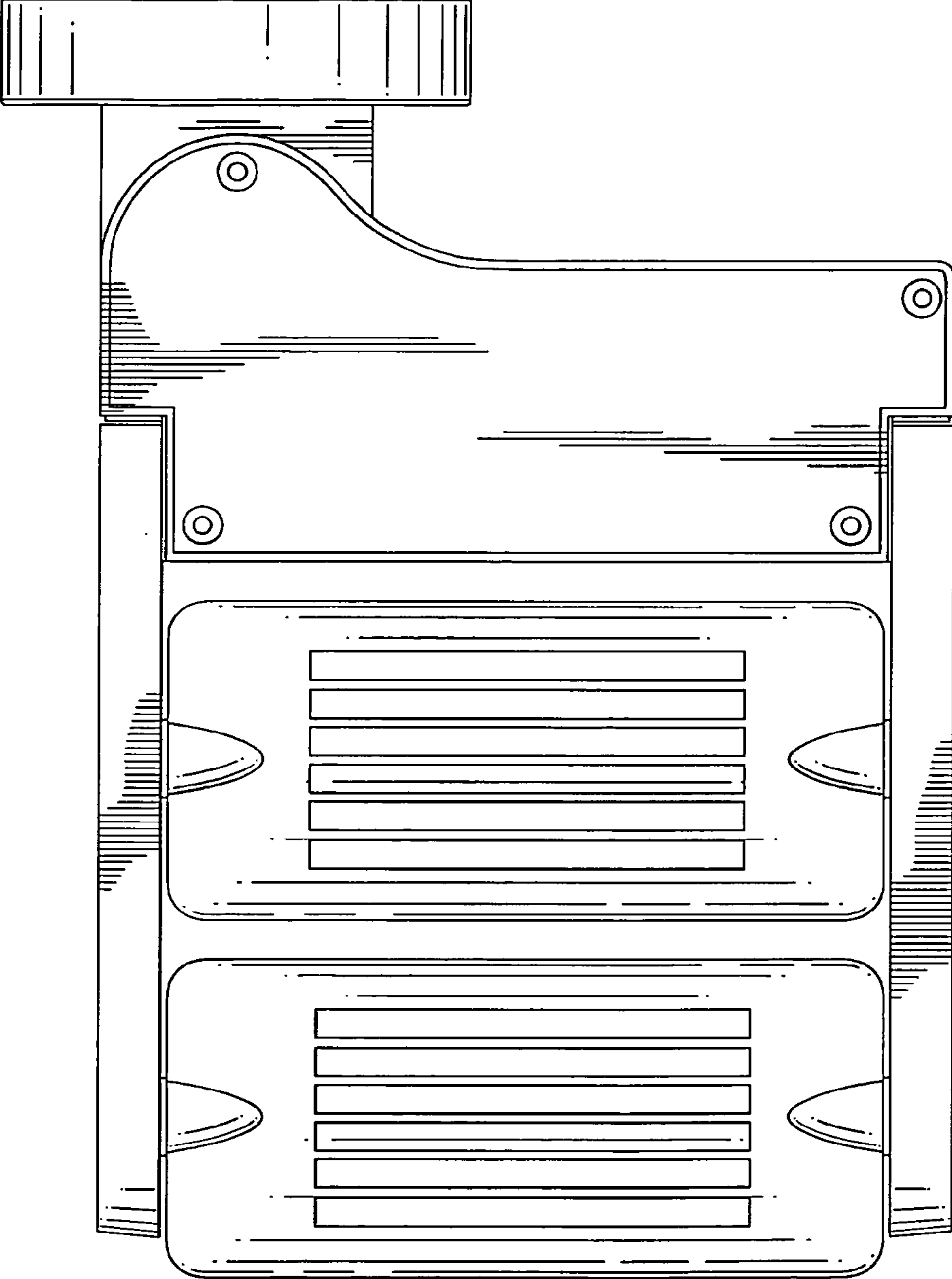


FIG.4

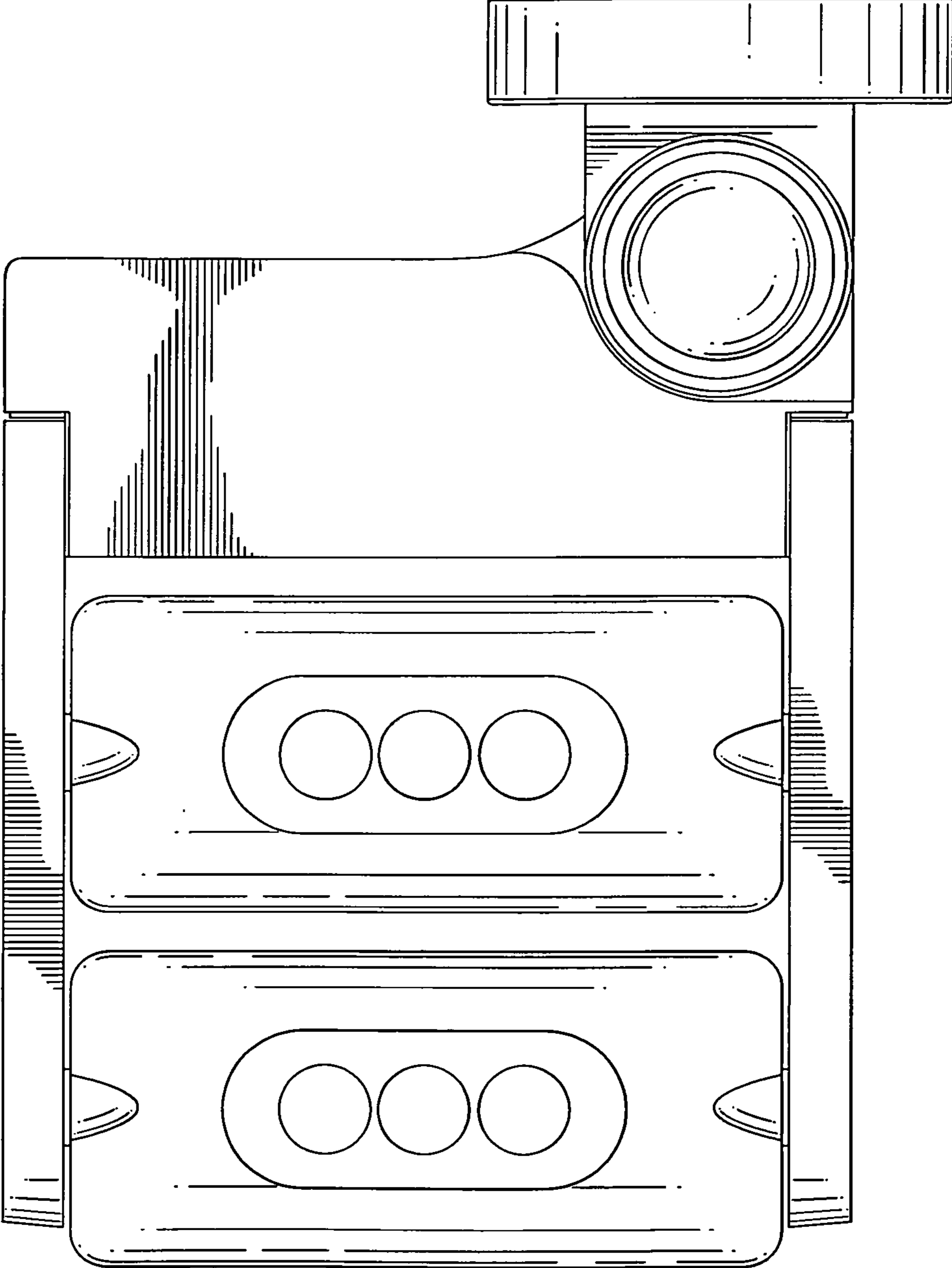


FIG. 5

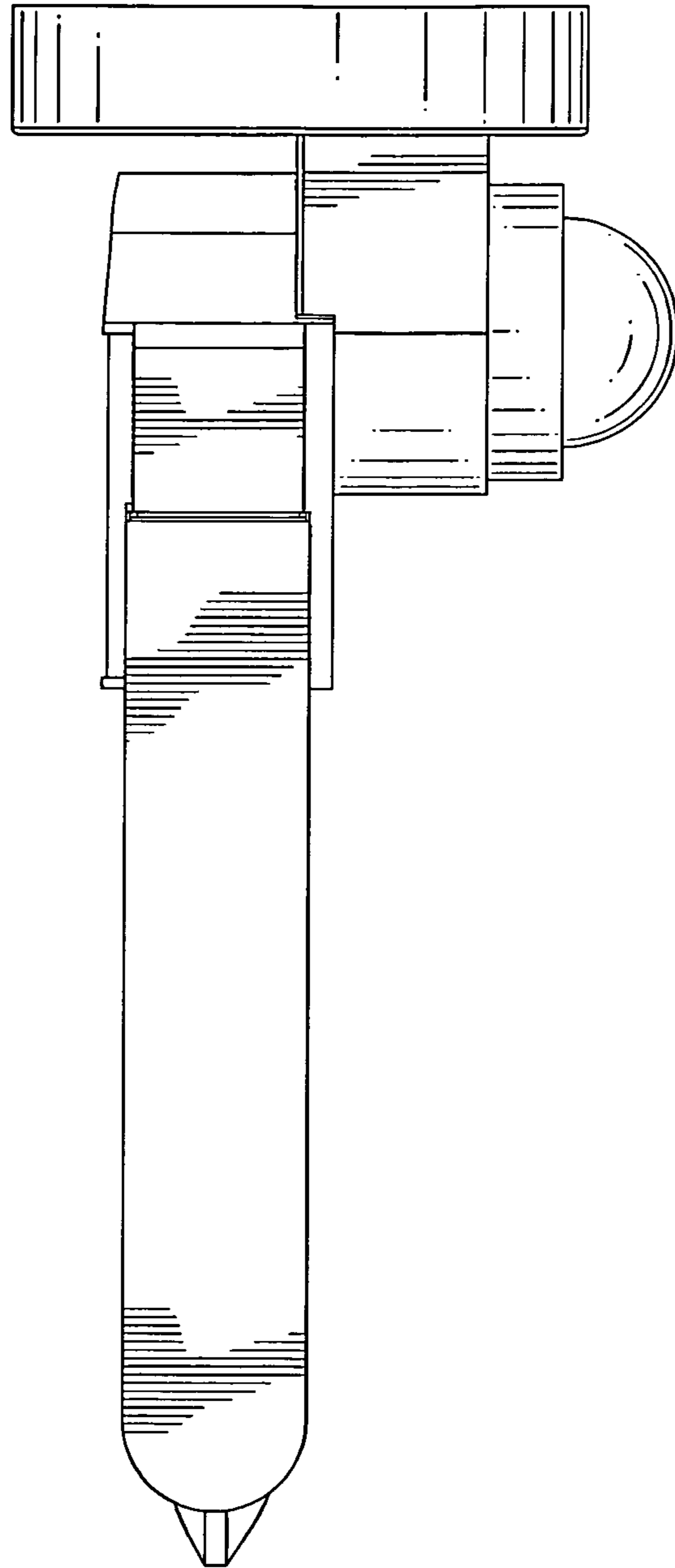


FIG.6

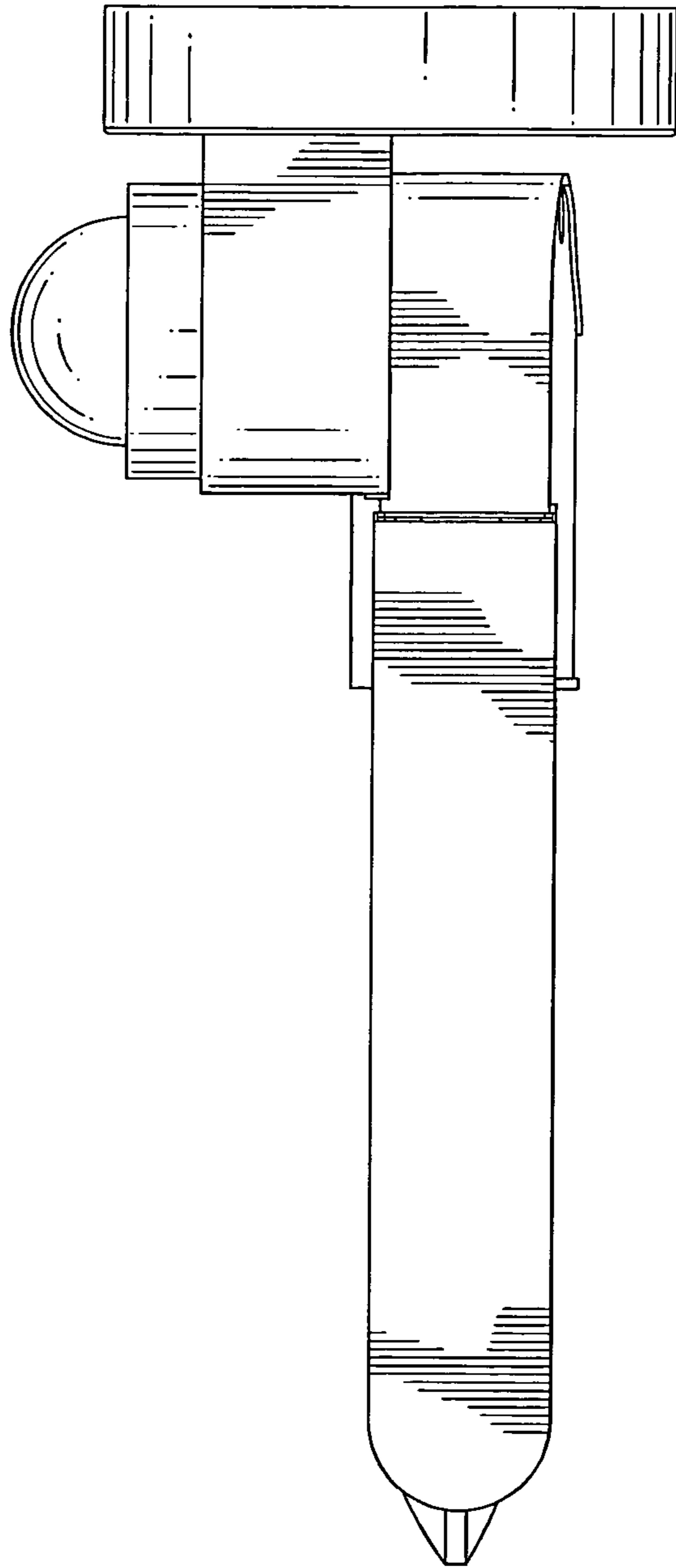


FIG. 7