



US00D694459S

(12) **United States Design Patent**
Fang

(10) **Patent No.:** **US D694,459 S**

(45) **Date of Patent:** **** Nov. 26, 2013**

(54) **LIGHTING APPARATUS**

(75) Inventor: **Yi Fang, Yuyao (CN)**

(73) Assignee: **Ningbo UTEC Electric Co. Ltd. (CN)**

(**) Term: **14 Years**

(21) Appl. No.: **29/418,505**

(22) Filed: **Apr. 17, 2012**

(51) **LOC (9) Cl.** **26-03**

(52) **U.S. Cl.**
USPC **D26/87; D26/92**

(58) **Field of Classification Search**
USPC D26/67-72, 80, 85, 87, 92, 118;
362/147, 431, 432, 183, 33, 294
See application file for complete search history.

(56) **References Cited**

U.S. PATENT DOCUMENTS

D205,719 S *	9/1966	Pettengill	D26/69
D205,720 S *	9/1966	Villa	D26/68
D210,907 S *	4/1968	Villa	D26/68
D236,909 S *	9/1975	Richilano	D26/68
D251,930 S *	5/1979	Didone	D26/68
D292,531 S *	10/1987	Van Deelen	D26/87
5,055,984 A *	10/1991	Hung et al.	362/183
D341,221 S *	11/1993	Elazari	D26/68
D343,022 S *	1/1994	Solberg et al.	D26/68

D377,399 S *	1/1997	Kay	D26/68
D573,289 S *	7/2008	Xu et al.	D26/67
D625,453 S *	10/2010	Morton et al.	D26/68
D626,266 S *	10/2010	Verelst	D26/71
7,824,060 B2 *	11/2010	Pelken et al.	362/183
D641,095 S *	7/2011	Yao et al.	D26/71
D663,463 S *	7/2012	Lee et al.	D26/71
D672,076 S *	12/2012	Guercio et al.	D26/70

* cited by examiner

Primary Examiner — Clare E Heflin

(74) *Attorney, Agent, or Firm* — Raymond Sun

(57) **CLAIM**

The ornamental design for a lighting apparatus, as shown and described.

DESCRIPTION

FIG. 1 is a perspective view of a lighting apparatus showing my new design.

FIG. 2 is a top plan view thereof;

FIG. 3 is a bottom plan view thereof;

FIG. 4 is a front elevational view thereof;

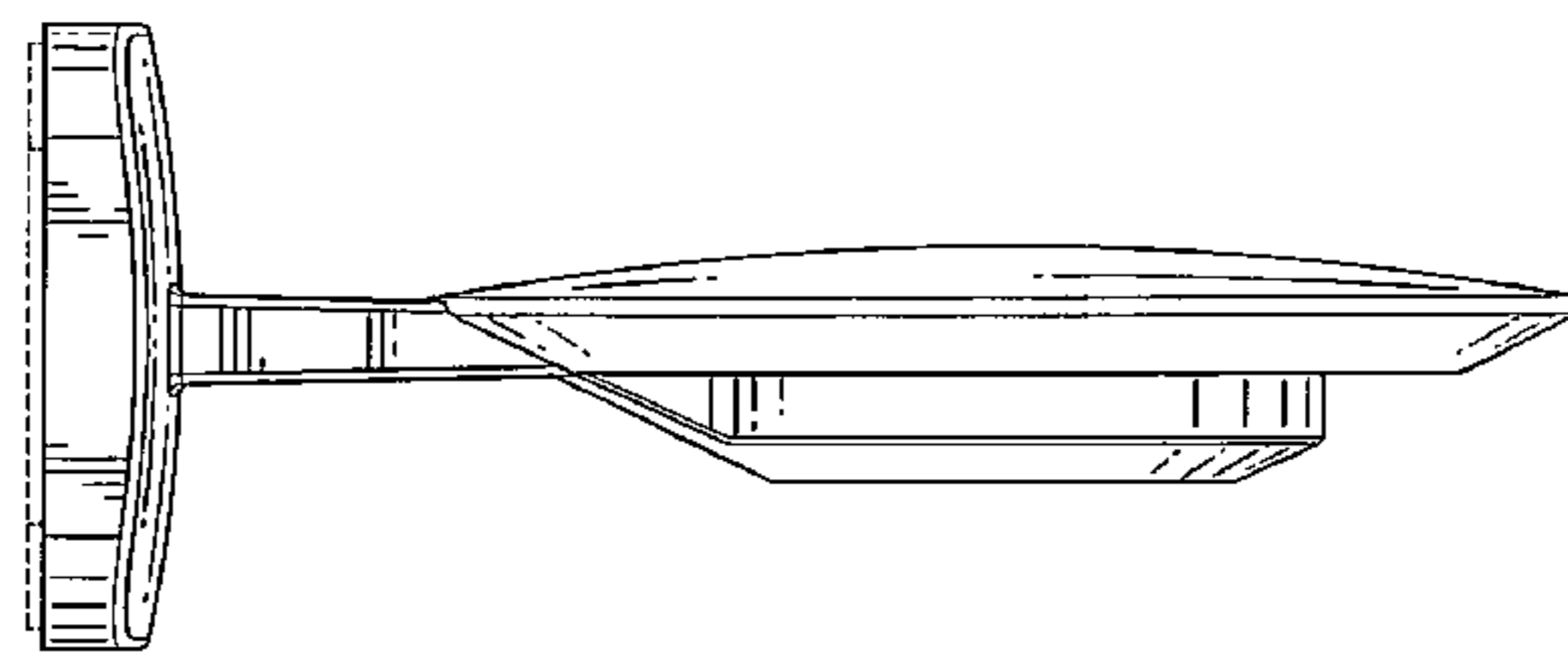
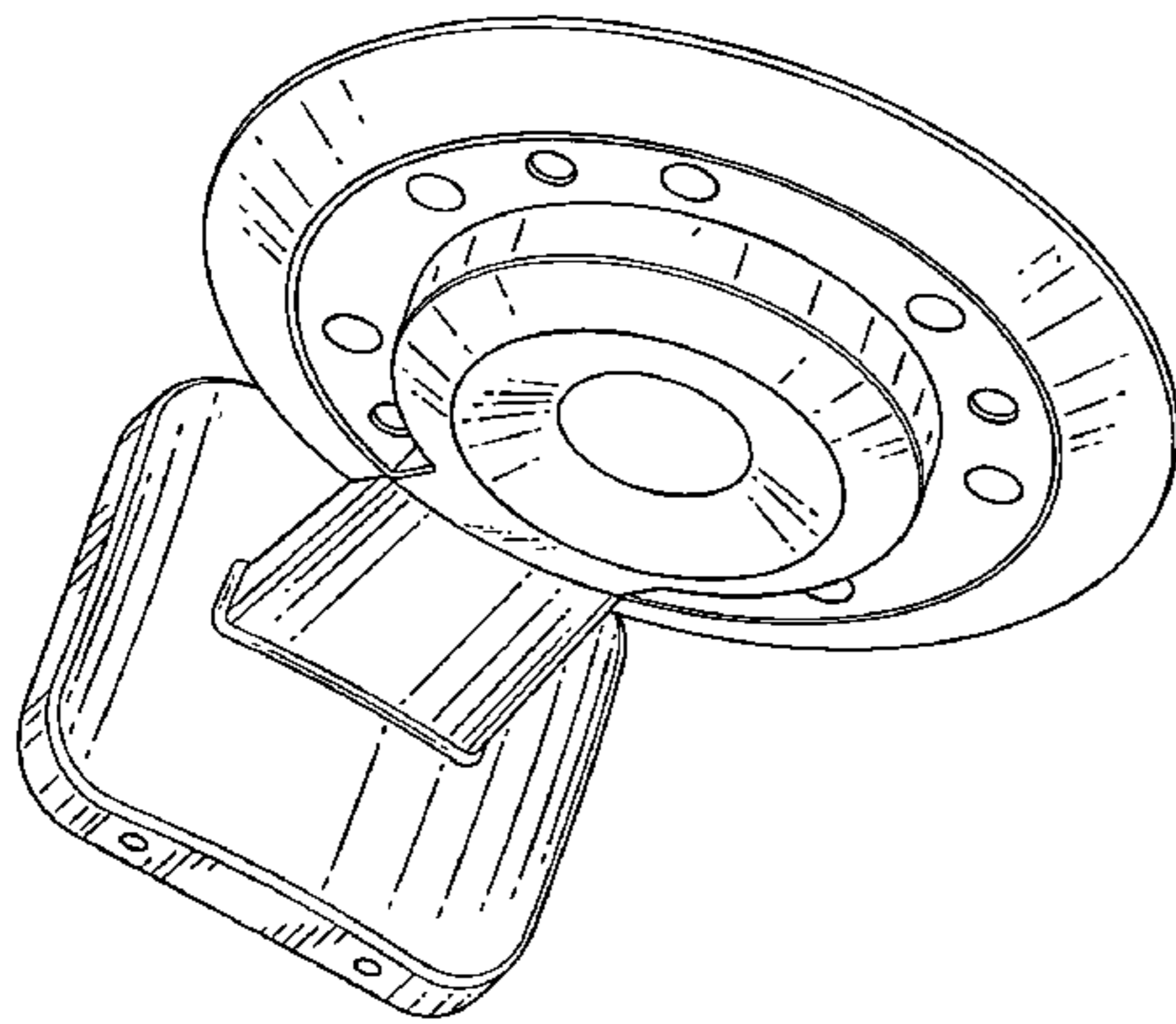
FIG. 5 is a rear elevational view thereof;

FIG. 6 is a left side elevational view thereof; and,

FIG. 7 is a right side elevational view of the lighting apparatus.

The broken lines shown on the drawings depict portions of the lighting apparatus that form no part of the claimed design.

1 Claim, 7 Drawing Sheets



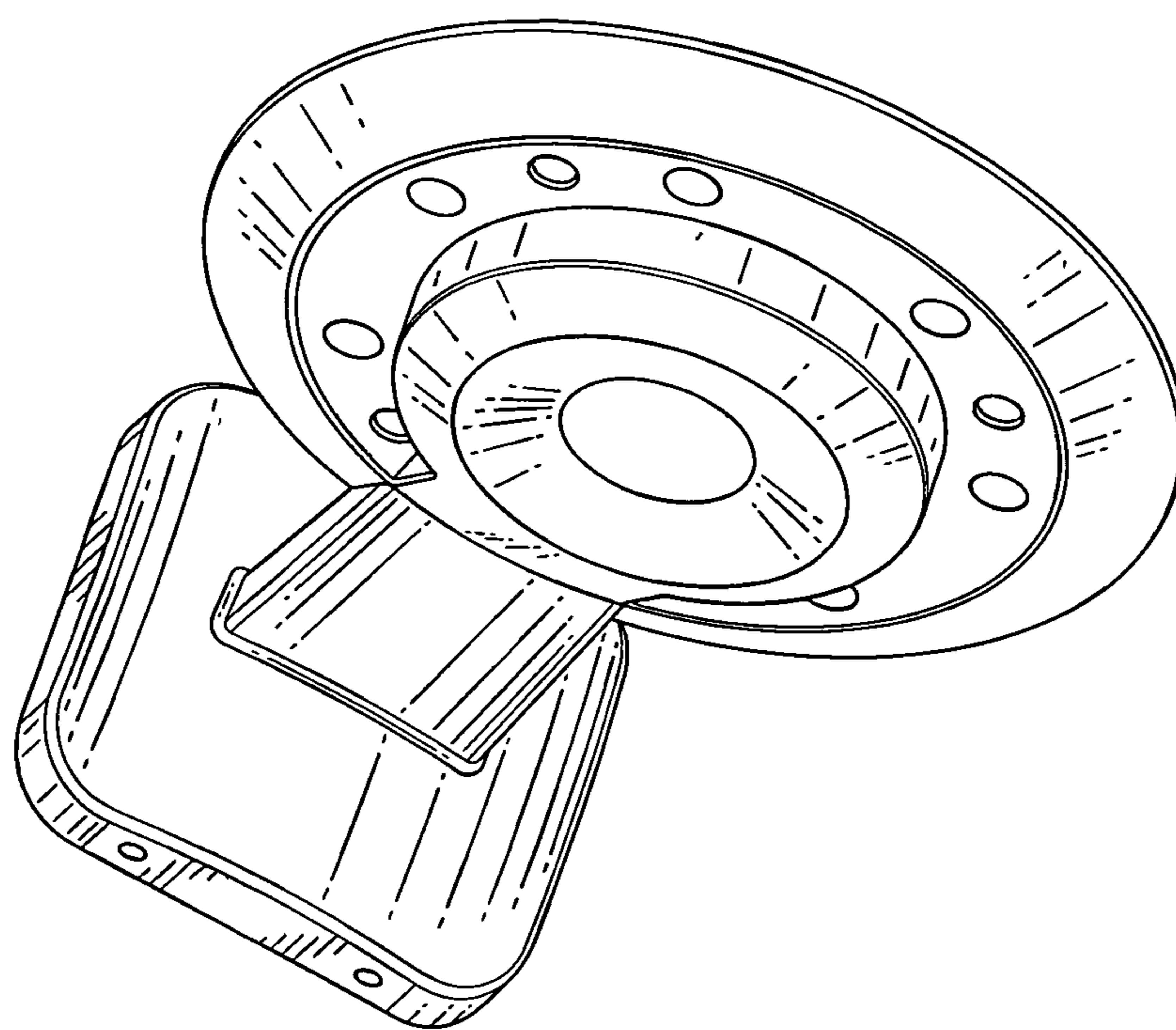


FIG. 1

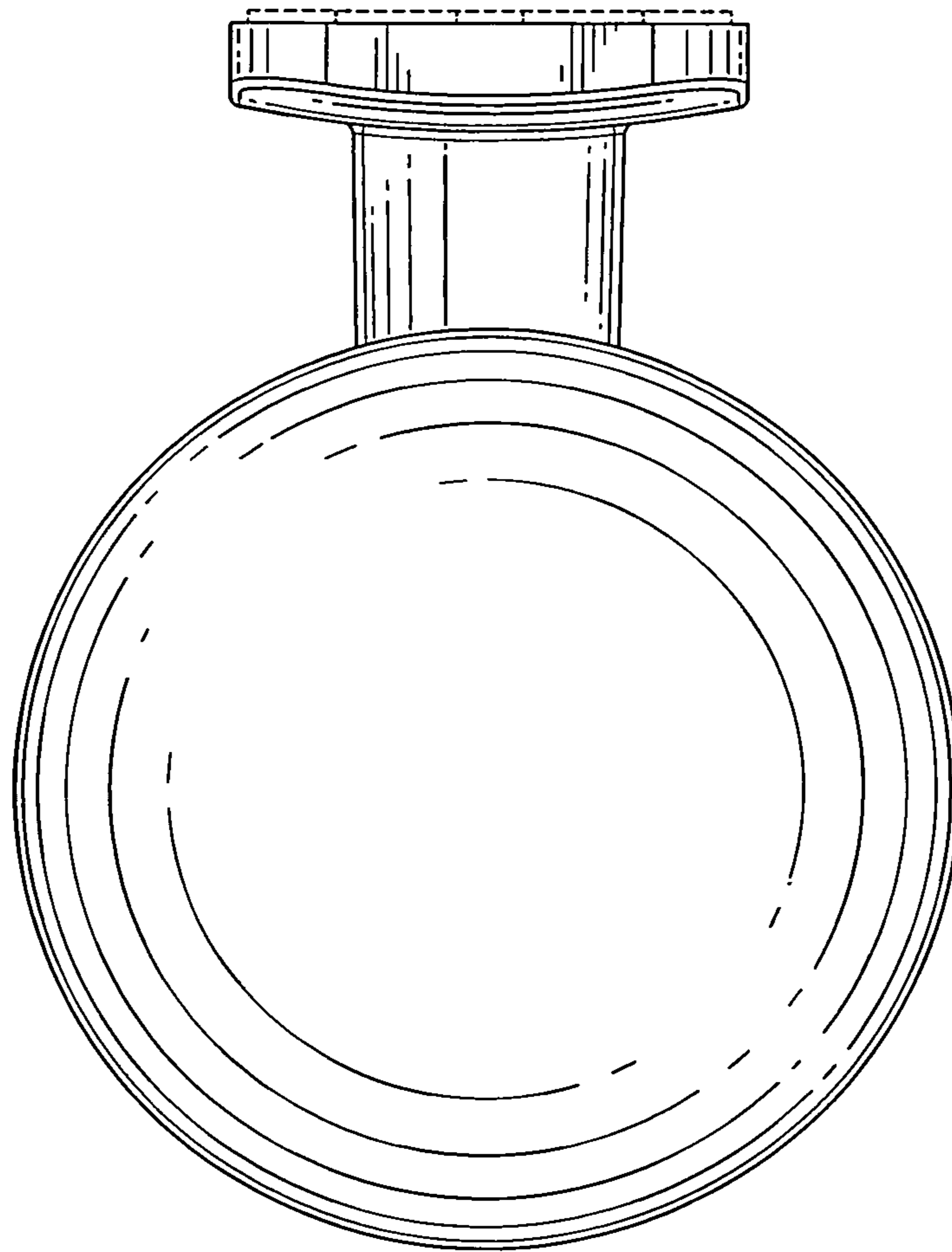


FIG. 2

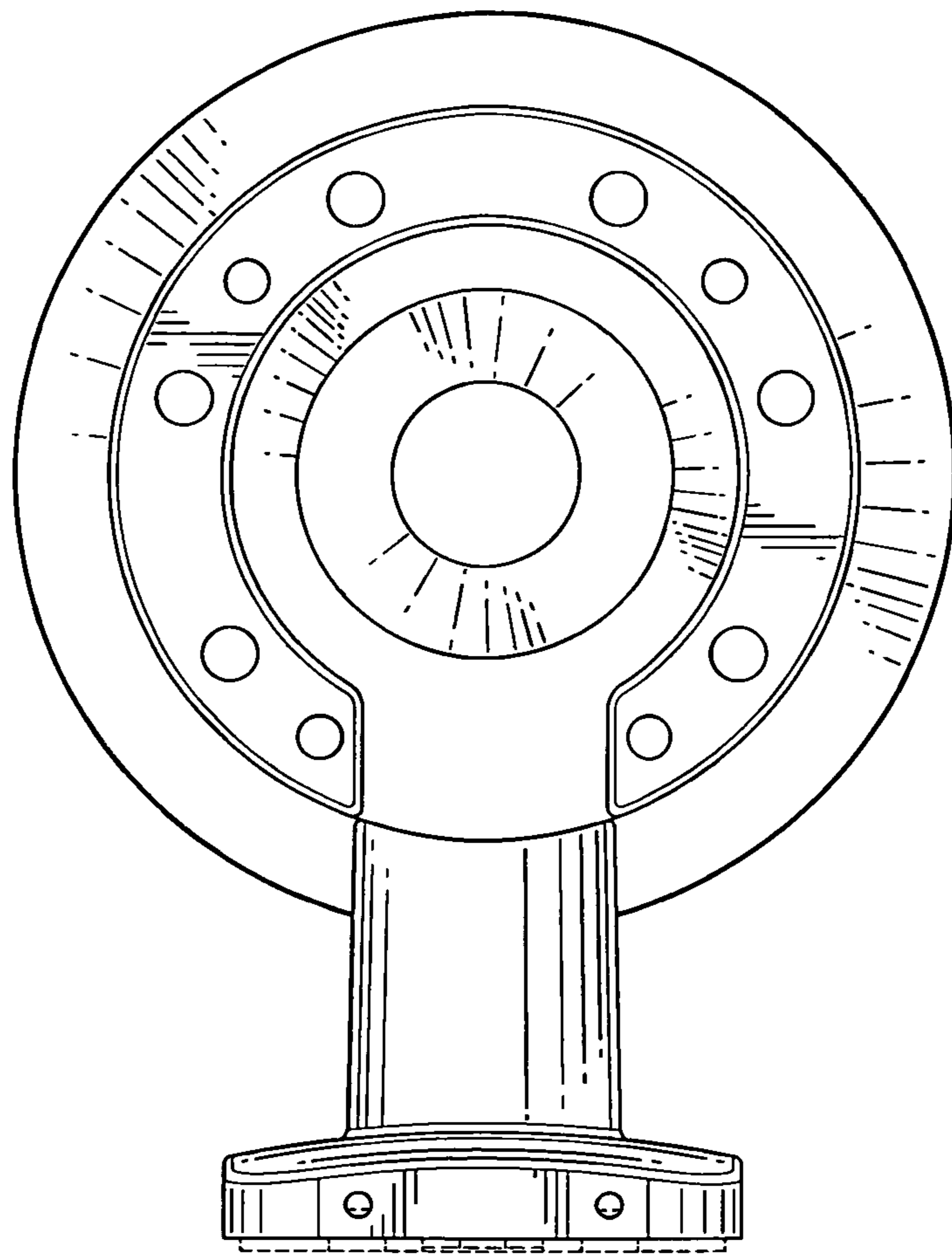


FIG. 3

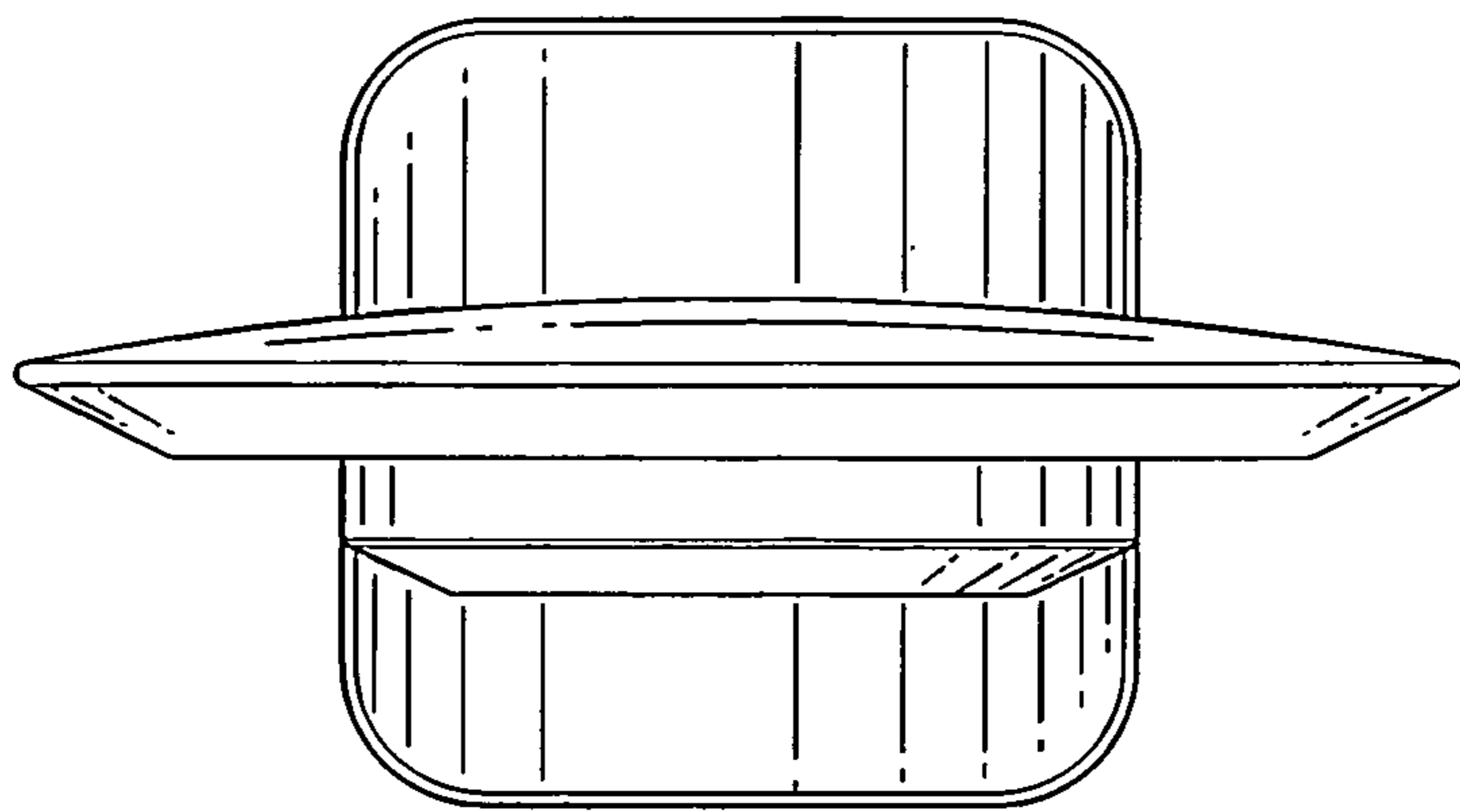


FIG.4

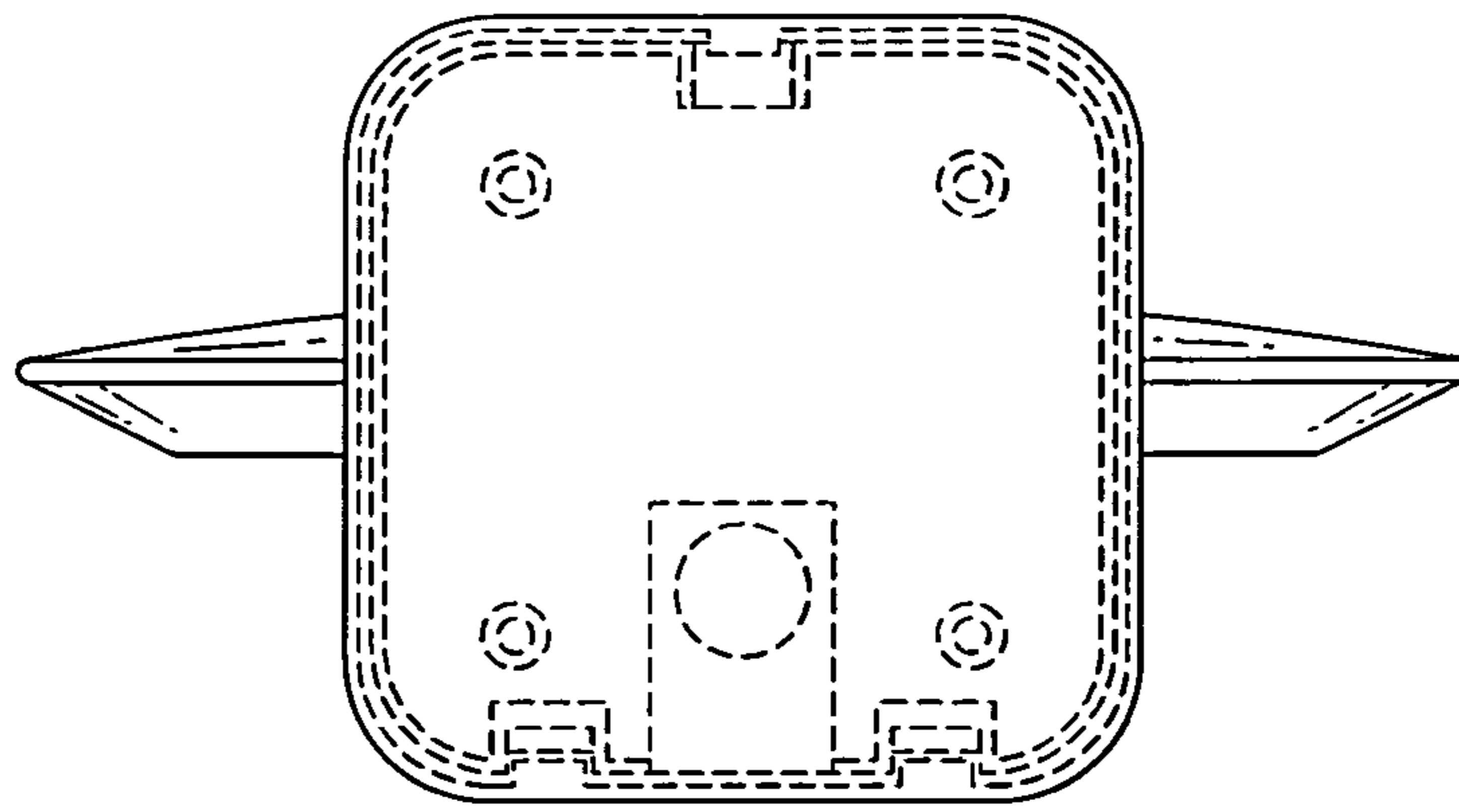


FIG.5

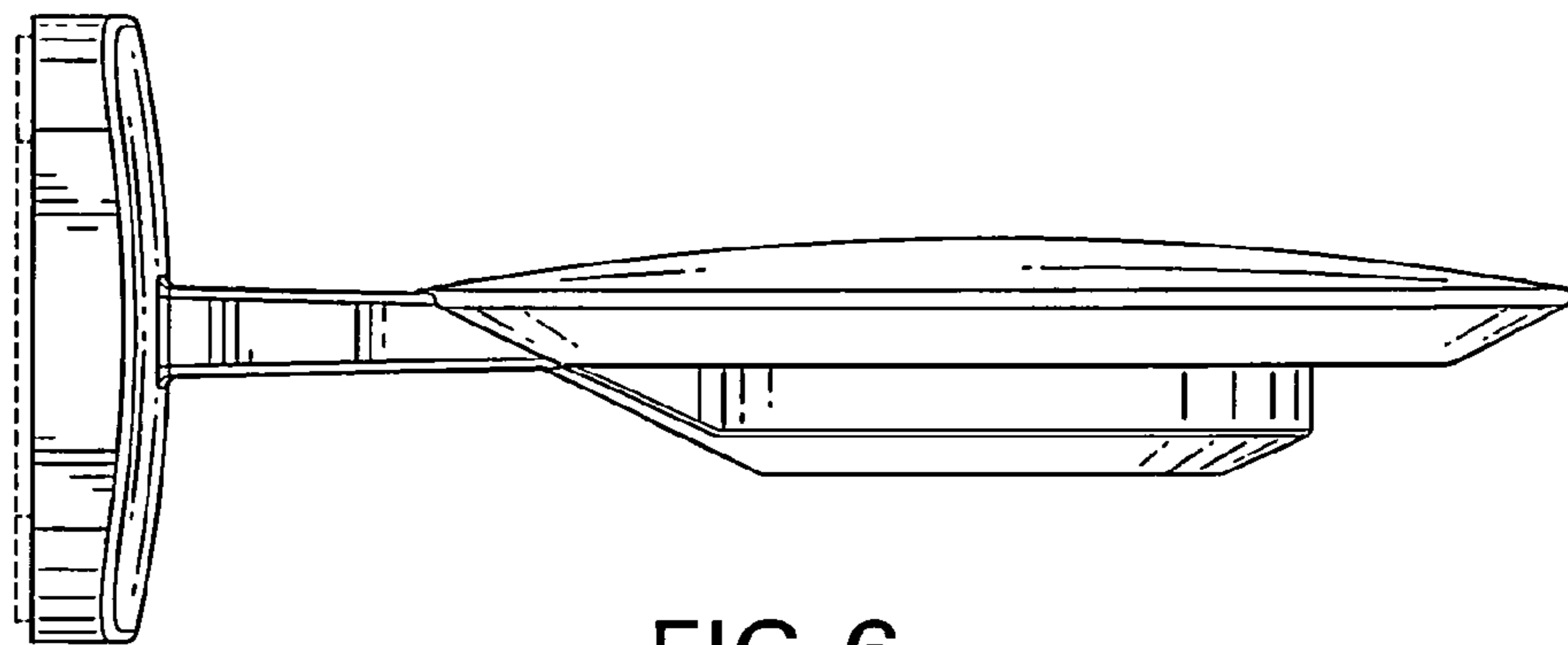


FIG.6

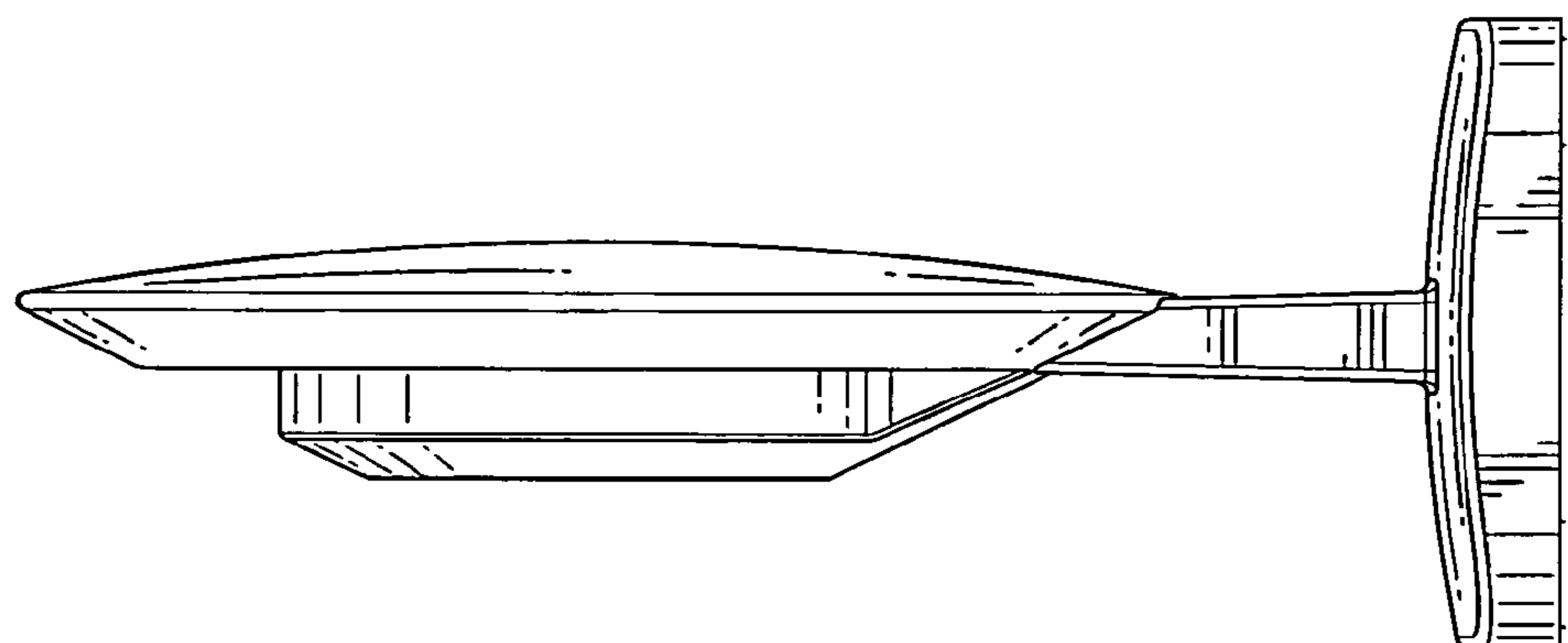


FIG. 7