



US00D694457S

(12) **United States Design Patent**
Yeh

(10) **Patent No.:** **US D694,457 S**

(45) **Date of Patent:** **** Nov. 26, 2013**

(54) **D STYLE TUBE LIGHTING**

(71) Applicant: **John Yeh**, Chino Hills, CA (US)

(72) Inventor: **John Yeh**, Chino Hills, CA (US)

(**) Term: **14 Years**

(21) Appl. No.: **29/443,098**

(22) Filed: **Jan. 13, 2013**

(51) **LOC (9) Cl.** **26-03**

(52) **U.S. Cl.**
USPC **D26/79**

(58) **Field of Classification Search**

USPC D26/1-3, 24, 56, 72, 74-86, 88-91;
D13/180, 182; 362/150, 216,
362/217.01-217.05, 217.08, 217.09, 260,
362/364, 365, 366, 404, 555, 576, 800

See application file for complete search history.

(56) **References Cited**

U.S. PATENT DOCUMENTS

6,083,021 A * 7/2000 Lau 439/227
D436,679 S * 1/2001 Leen D26/65
D451,226 S * 11/2001 Leen D26/63

6,488,386 B1 * 12/2002 Yan 362/216
D510,448 S * 10/2005 Egawa D26/3
D581,085 S * 11/2008 Vakil et al. D26/78
D650,928 S * 12/2011 Yeh D26/3

* cited by examiner

Primary Examiner — Zenia Bennett

(74) *Attorney, Agent, or Firm* — Denis Khoo

(57) **CLAIM**

The ornamental design for a D style tube lighting, as shown.

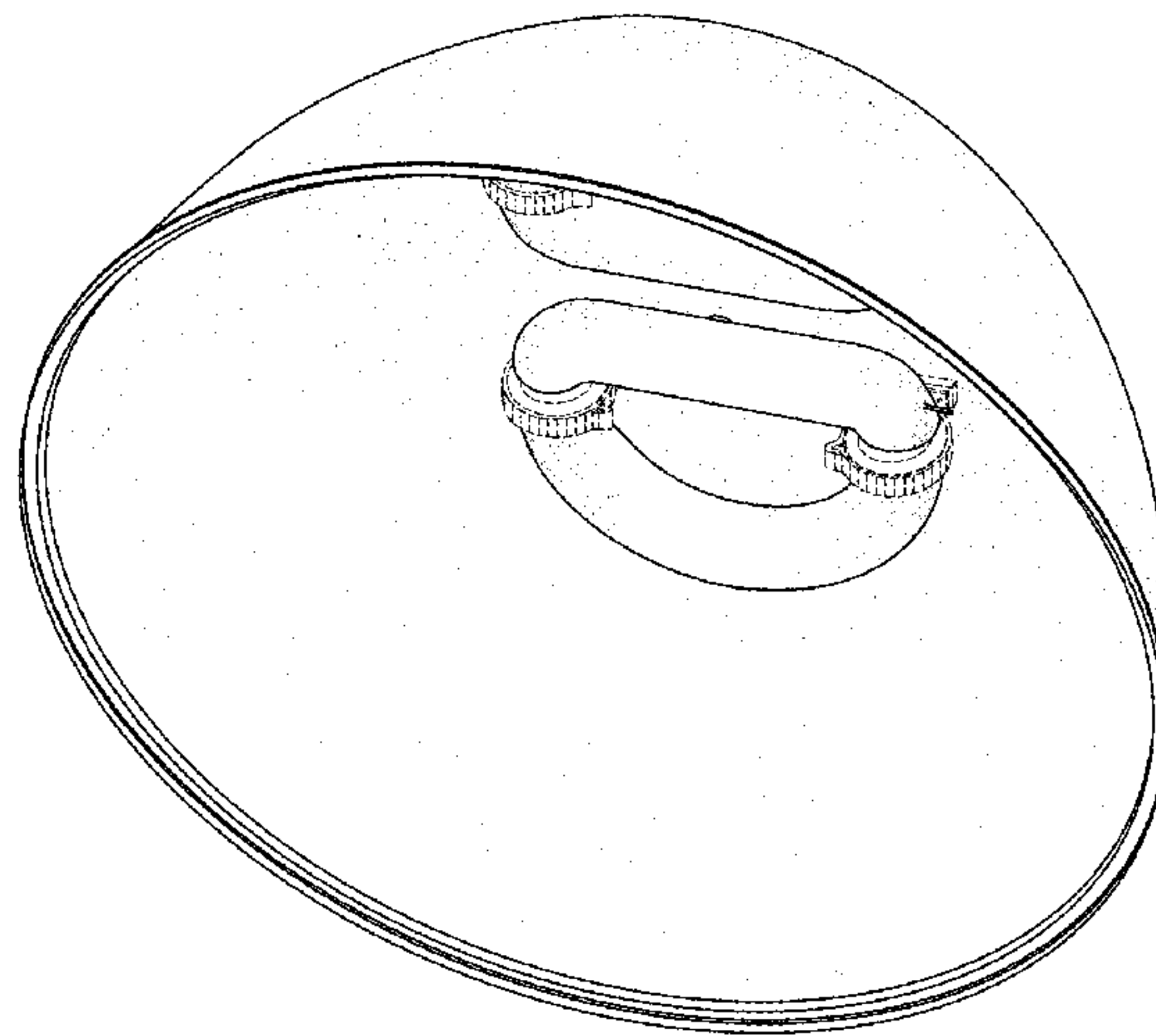
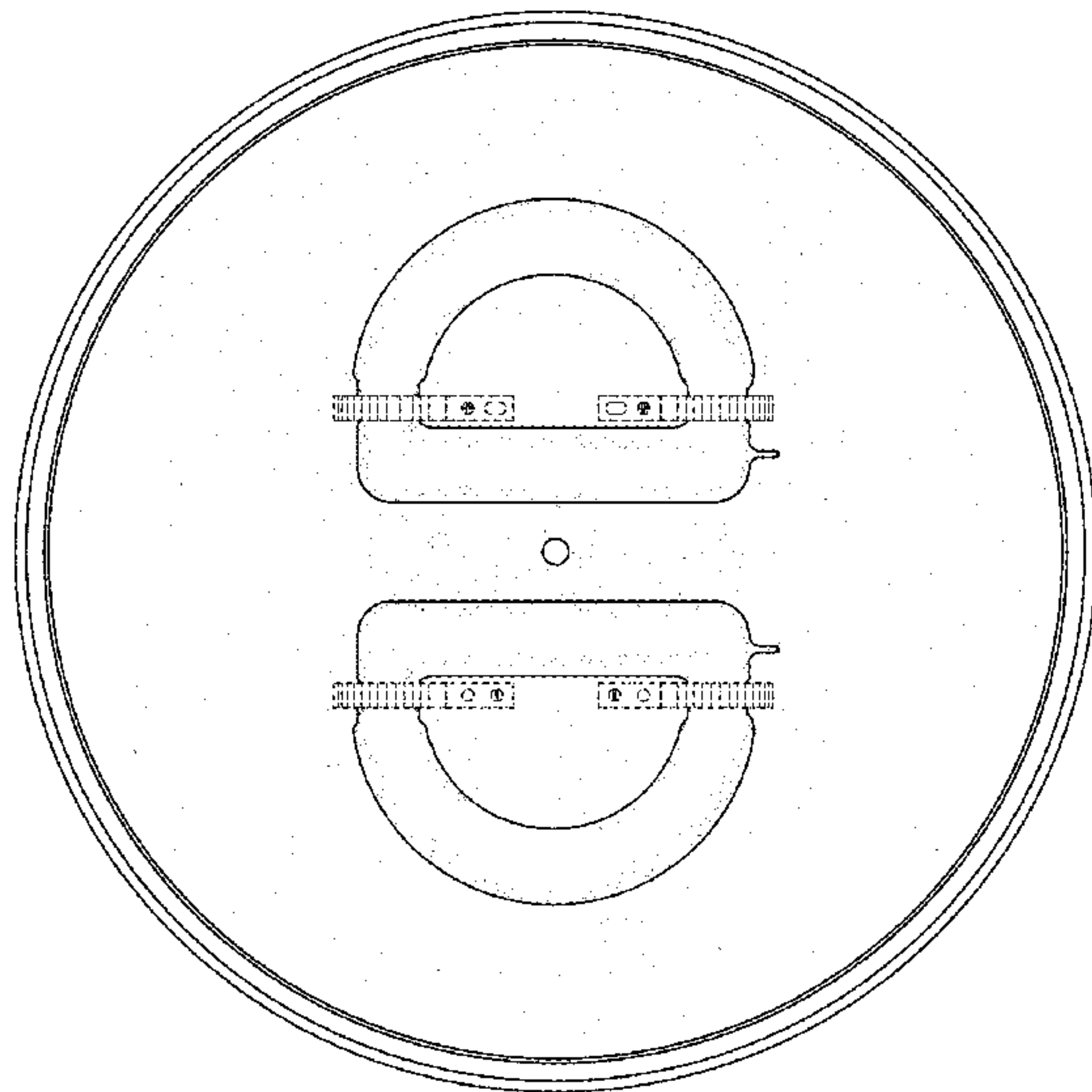
DESCRIPTION

FIG. 1 is a front elevation view of a D style tube lighting showing my new design, and it is understood that the right side, left side, and rear elevation views of the D style tube lighting are identical to the view in FIG. 1.

FIG. 2 is a bottom plan view thereof, and it is understood that the two D style tubes are identical and that the broken lines represent the mounting brackets and inductor coil assemblies; and,

FIG. 3 is a perspective view thereof, and it is understood that the broken lines represent the mounting brackets and inductor coil assemblies.

1 Claim, 3 Drawing Sheets



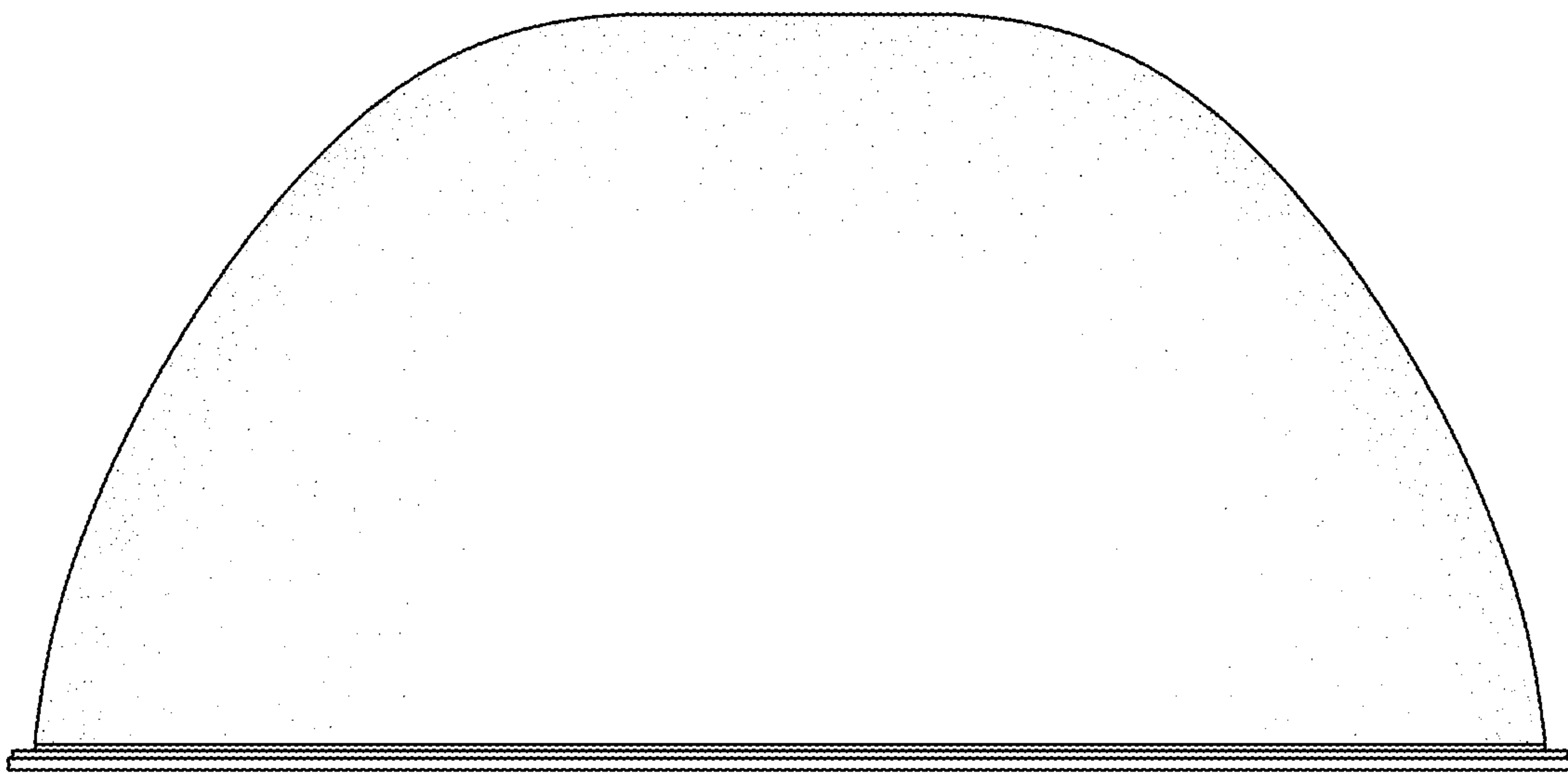


FIG. 1

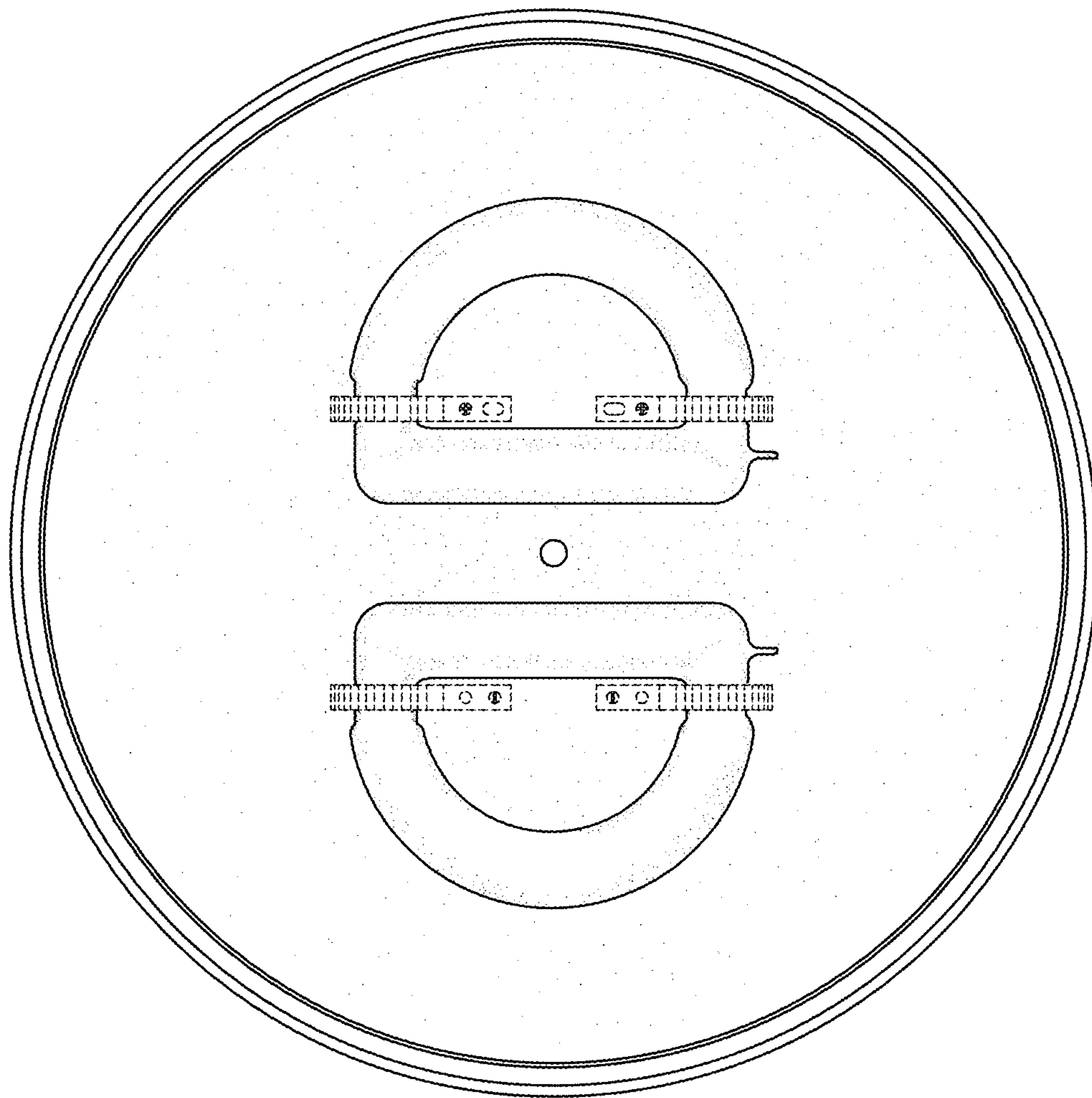


FIG. 2

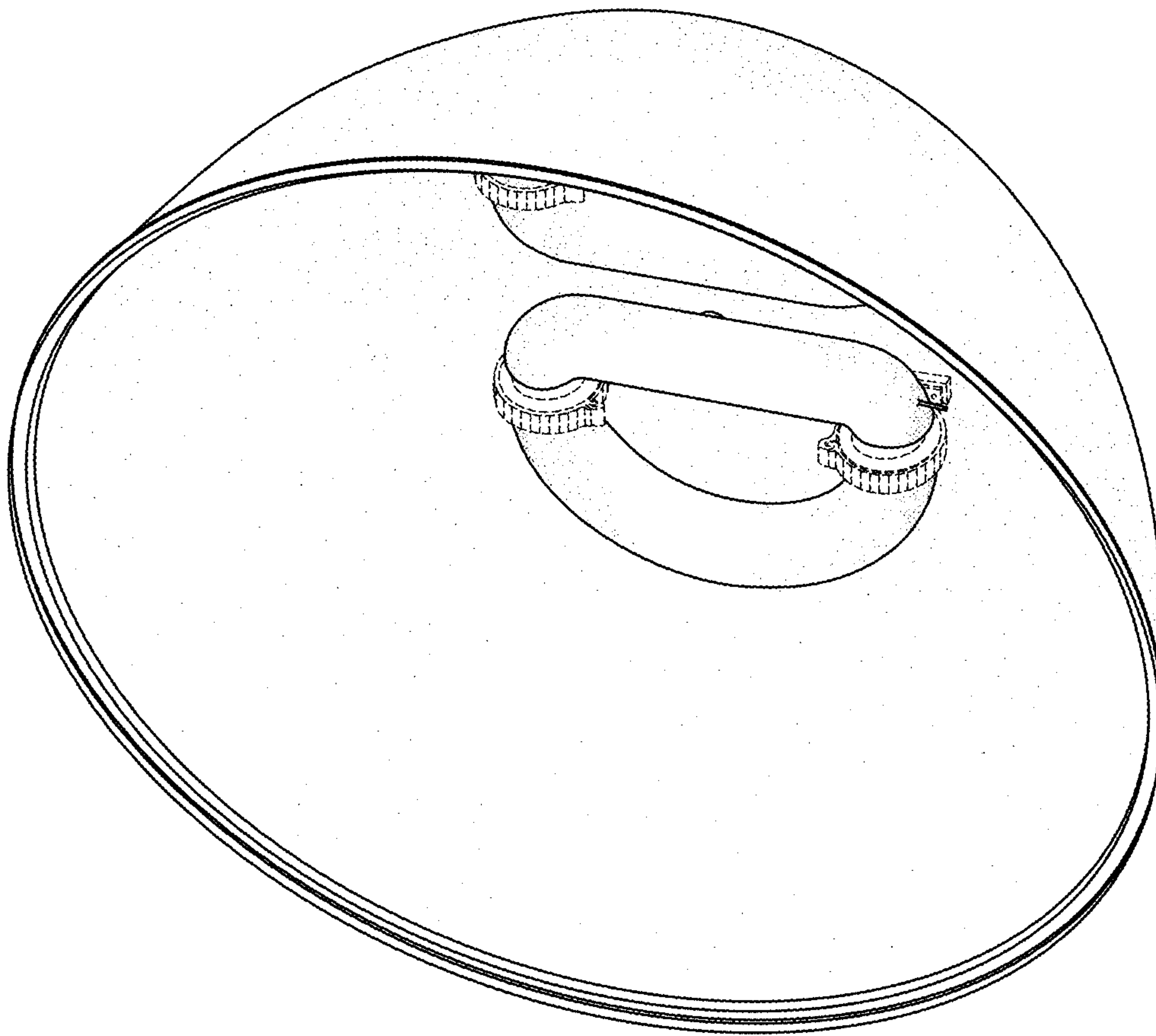


FIG. 3