



US00D694452S

(12) **United States Design Patent**
Goelz et al.

(10) **Patent No.:** **US D694,452 S**

(45) **Date of Patent:** **** Nov. 26, 2013**

(54) **LIGHTING FIXTURE**

(75) Inventors: **David P. Goelz**, Milwaukee, WI (US);
Brian Kinnune, Racine, WI (US); **Alan J. Ruud**, Racine, WI (US); **Robert D. Giese**, Kenosha, WI (US)

(73) Assignee: **Cree, Inc.**, Durham, NC (US)

(**) Term: **14 Years**

(21) Appl. No.: **29/409,434**

(22) Filed: **Dec. 22, 2011**

(51) **LOC (9) Cl.** **26-05**

(52) **U.S. Cl.**
USPC **D26/71**

(58) **Field of Classification Search**
USPC D26/63, 67-71, 92, 118, 120, 138;
362/249.01-249.06, 294, 373, 431
See application file for complete search history.

(56) **References Cited**

U.S. PATENT DOCUMENTS

D155,488 S	5/1949	Crockett	
4,228,489 A	10/1980	Martin	
4,931,917 A	6/1990	Scherf et al.	
D319,702 S	9/1991	Kane	
D354,558 S	1/1995	Marvin et al.	
D355,722 S	2/1995	Roos et al.	
5,398,177 A	3/1995	Harwood	
5,593,225 A	1/1997	Safyan	
D442,313 S *	5/2001	Wojtkowiak et al. D26/71
D505,220 S	5/2005	Stekelenburg	

(Continued)

Primary Examiner — Clare E Hefflin

(74) *Attorney, Agent, or Firm* — Jansson Munger McKinley & Shape Ltd.

(57) **CLAIM**
The ornamental design for a lighting fixture, as shown and described.

DESCRIPTION

FIG. 1 is a perspective view from above of the lighting fixture; FIG. 2 is a perspective view from below of the lighting fixture of FIG. 1; FIG. 3 is a right-side elevation of the lighting fixture of FIG. 1, the left-side elevation view being a mirror image thereof; FIG. 4 is a bottom plan view of the lighting fixture of FIG. 1; FIG. 5 is a top plan view of the lighting fixture of FIG. 1; FIG. 6 is a front elevation of the lighting fixture of FIG. 1; and FIG. 7 is a rear elevation of the lighting fixture of FIG. 1.

FIG. 8 is a perspective view from below of a second embodiment of the design of FIG. 1, the only difference being in greater width of the middle portion; FIG. 9 is a bottom plan view of the lighting fixture of FIG. 8; FIG. 10 is a top plan view of the lighting fixture of FIG. 8; FIG. 11 is a front elevation of the lighting fixture of FIG. 8; and

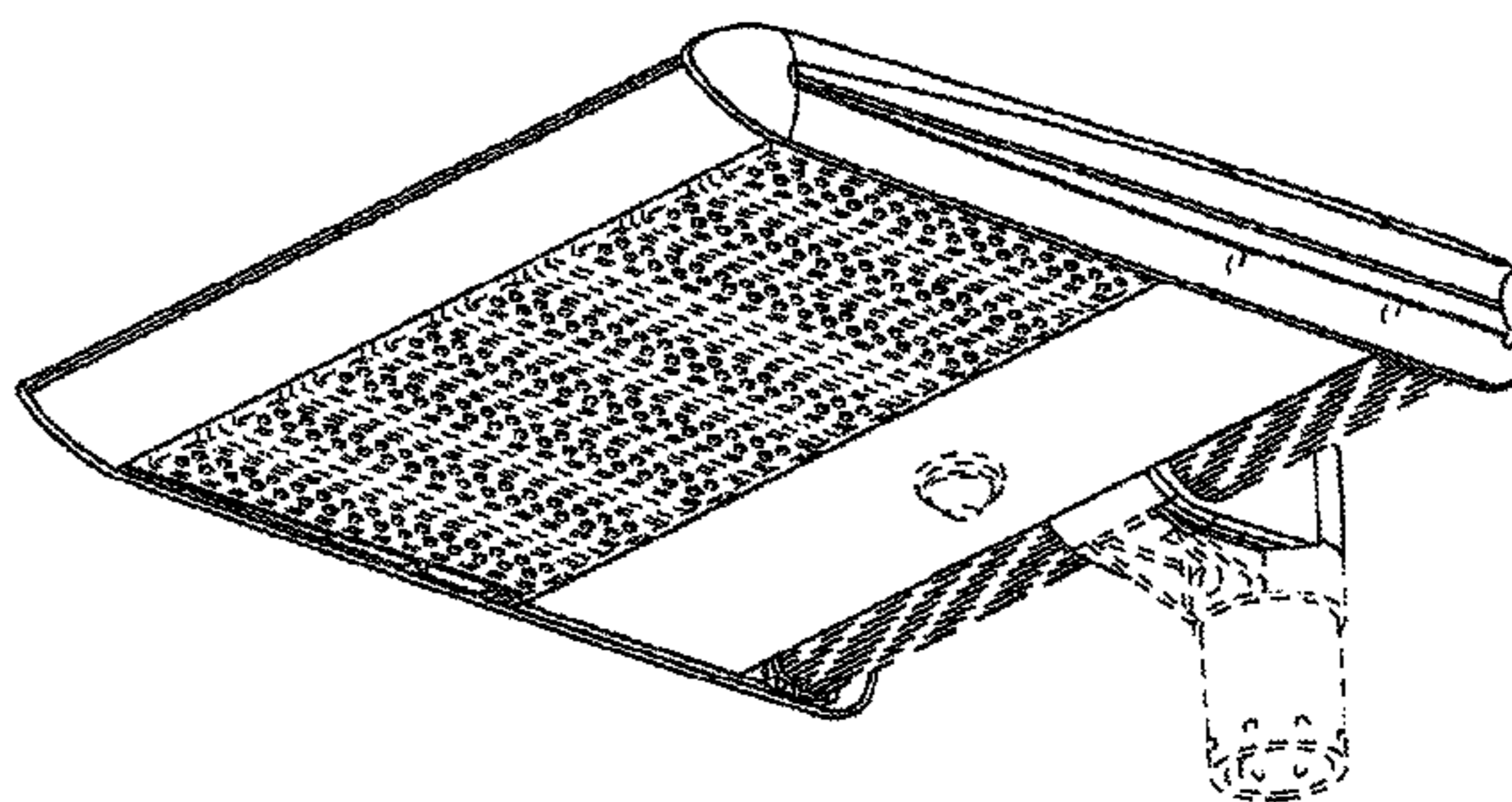
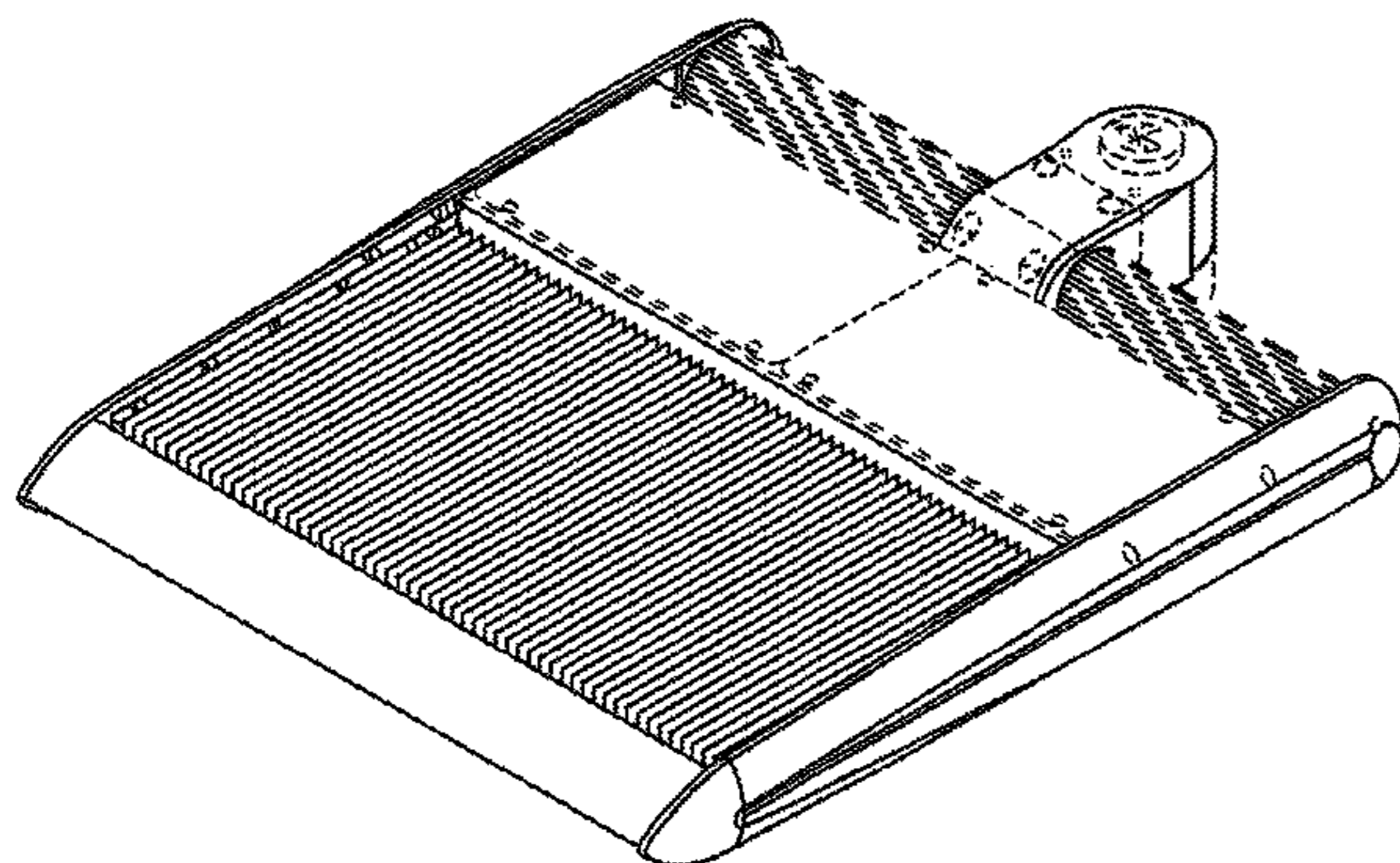
FIG. 12 is a rear elevation of the lighting fixture of FIG. 8.

FIG. 13 is a perspective view from below of a third embodiment of the design of FIG. 1, the only difference being in lesser width of the middle portion; FIG. 14 is a bottom plan view of the lighting fixture of FIG. 13; FIG. 15 is a top plan view of the lighting fixture of FIG. 13; FIG. 16 is a front elevation of the lighting fixture of FIG. 13; and

FIG. 17 is a rear elevation of the lighting fixture of FIG. 13.

Broken line-illustrations form no part of the claimed design.

1 Claim, 18 Drawing Sheets



(56)

References Cited

U.S. PATENT DOCUMENTS

7,063,451 B2 6/2006 Shen
 D536,816 S 2/2007 Mier-Langner et al.
 D536,817 S 2/2007 Mier-Langner et al.
 D537,972 S 3/2007 Mier-Langner et al.
 D537,973 S 3/2007 Mier-Langner et al.
 D538,459 S 3/2007 Rose et al.
 D538,961 S 3/2007 Mier-Langner et al.
 D539,460 S 3/2007 Mier-Langner et al.
 D539,956 S 4/2007 Rose et al.
 D543,657 S 5/2007 Lehman
 D550,885 S 9/2007 Crosby
 D563,013 S 2/2008 Levine
 D563,580 S 3/2008 Prazoff
 D563,582 S 3/2008 Levine
 D564,117 S 3/2008 Lippert
 D571,032 S 6/2008 Chen

D573,741 S * 7/2008 Lou D26/71
 D576,330 S * 9/2008 Ruud et al. D26/71
 D577,455 S * 9/2008 Zheng et al. D26/71
 D580,082 S 11/2008 Zemar
 D581,080 S 11/2008 Mier-Langner
 D599,494 S 9/2009 Levine
 D600,400 S 9/2009 Friedman
 7,665,699 B2 2/2010 Oddsen, Jr. et al.
 D619,291 S 7/2010 Thevenot
 D621,988 S * 8/2010 Zheng et al. D26/71
 D626,264 S 10/2010 Liu
 D627,093 S * 11/2010 Shiau et al. D26/71
 D630,790 S * 1/2011 Josefowicz et al. D26/71
 D634,873 S * 3/2011 Guercio D26/71
 D636,920 S * 4/2011 Boissevain D26/71
 D638,566 S 5/2011 Goelz et al.
 D641,908 S * 7/2011 McKee D26/71
 D660,496 S * 5/2012 Akdag et al. D26/71
 D668,370 S * 10/2012 Guercio et al. D26/71

* cited by examiner

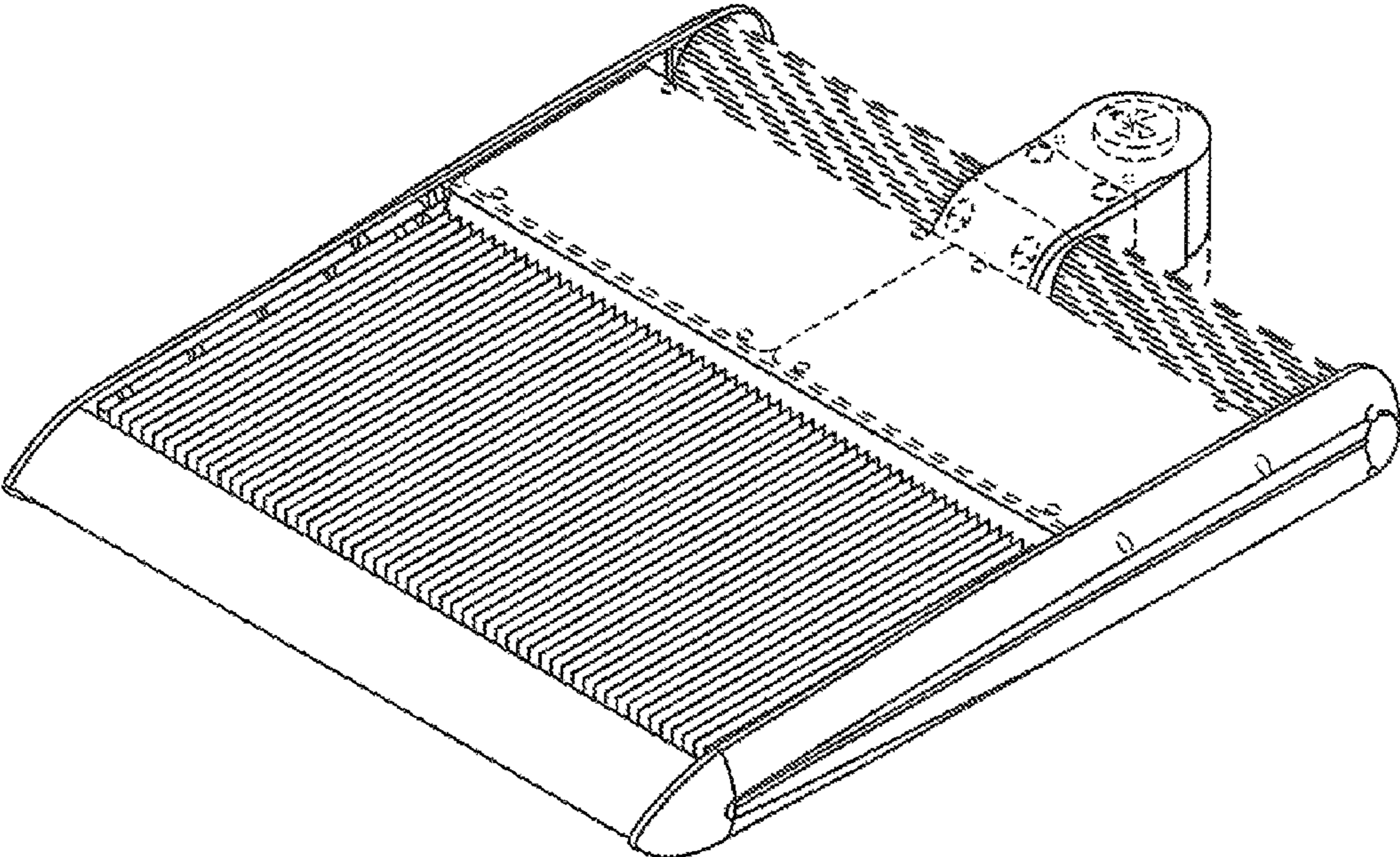


FIG. 1

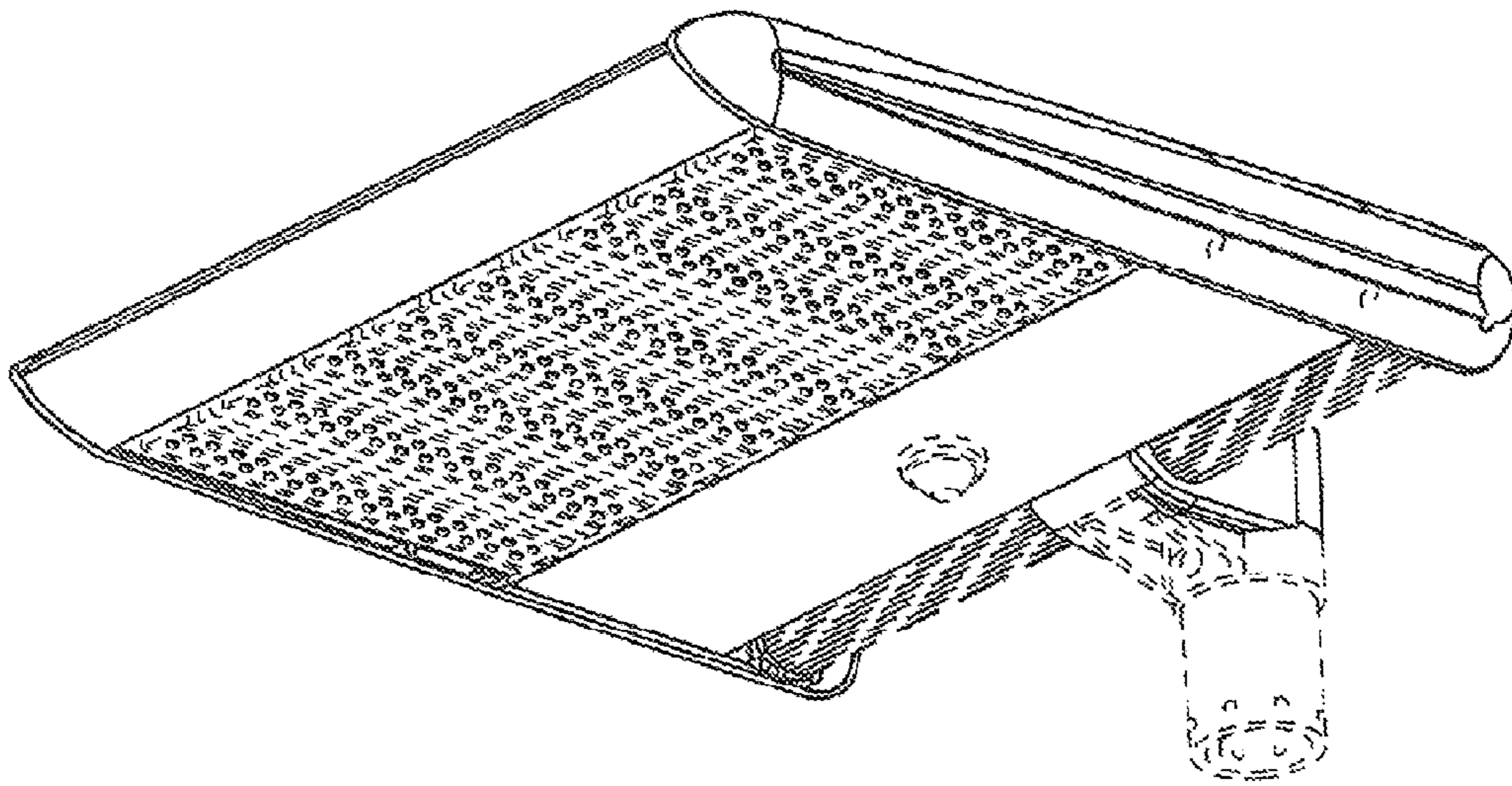


FIG. 2

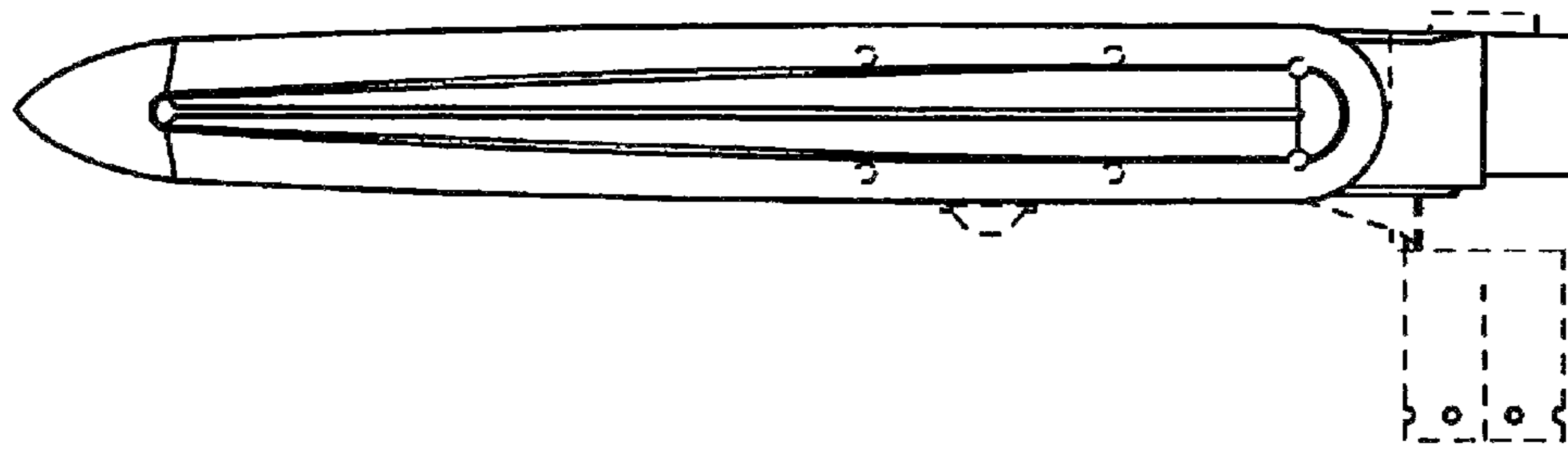


FIG. 3

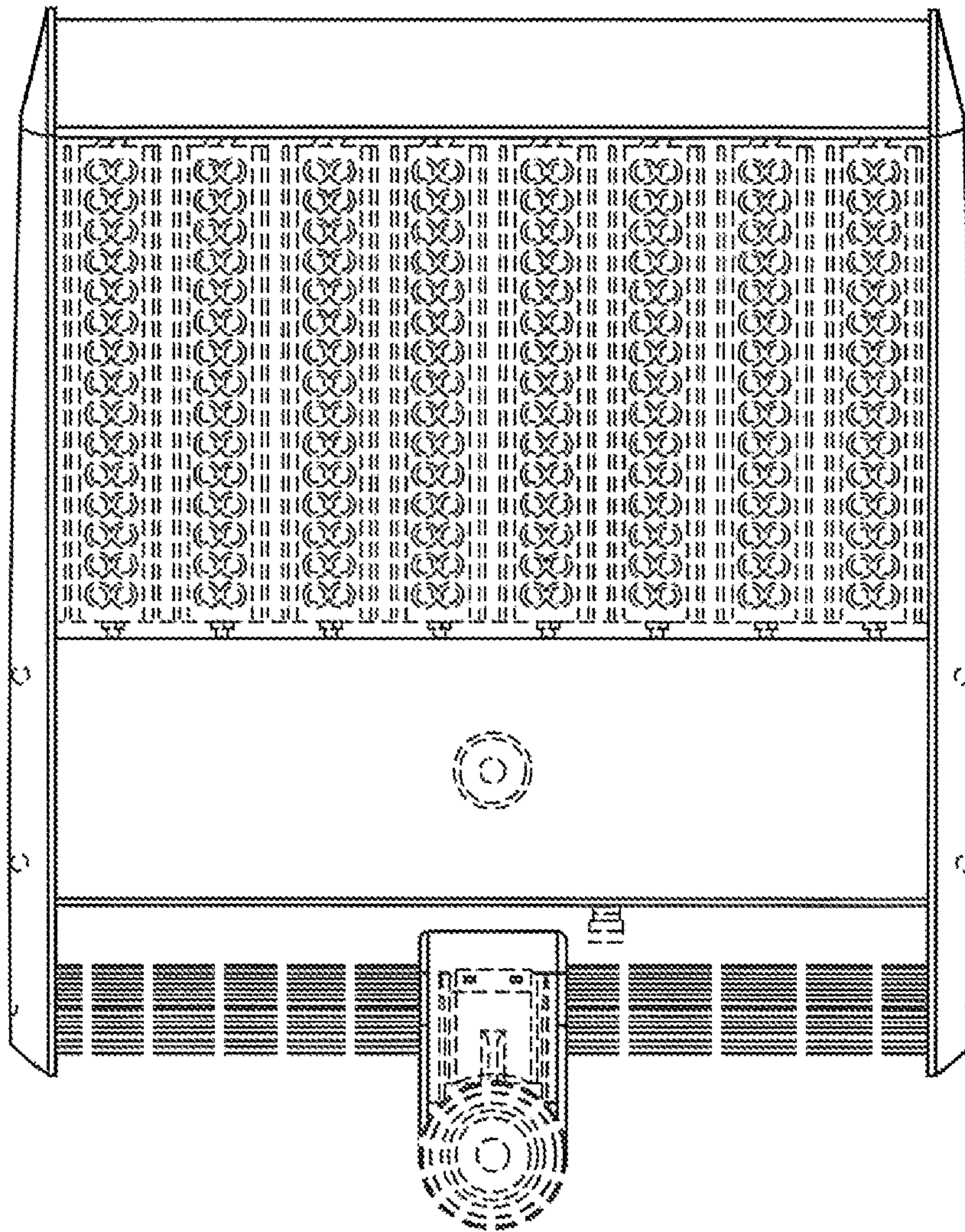


FIG. 4

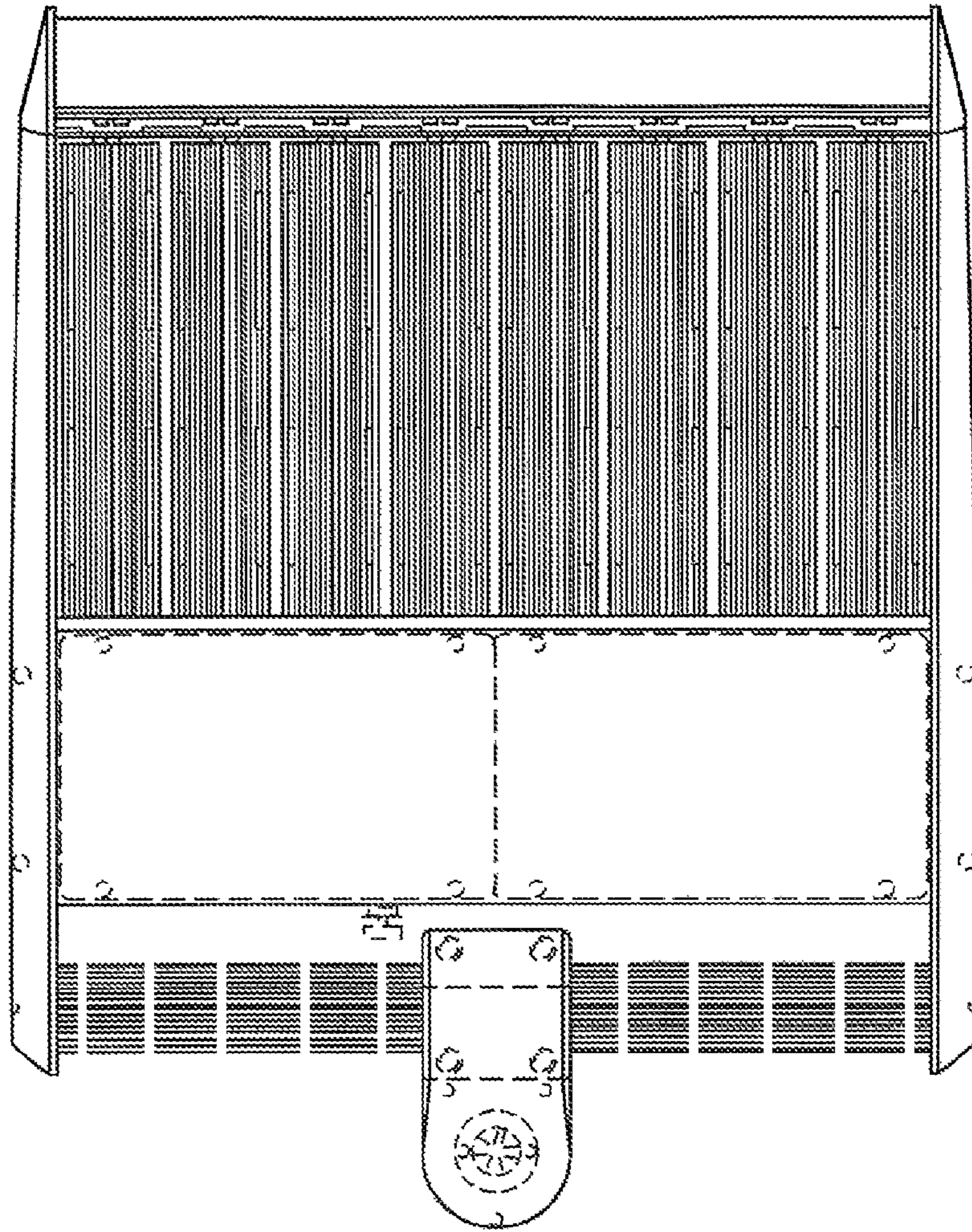


FIG. 5

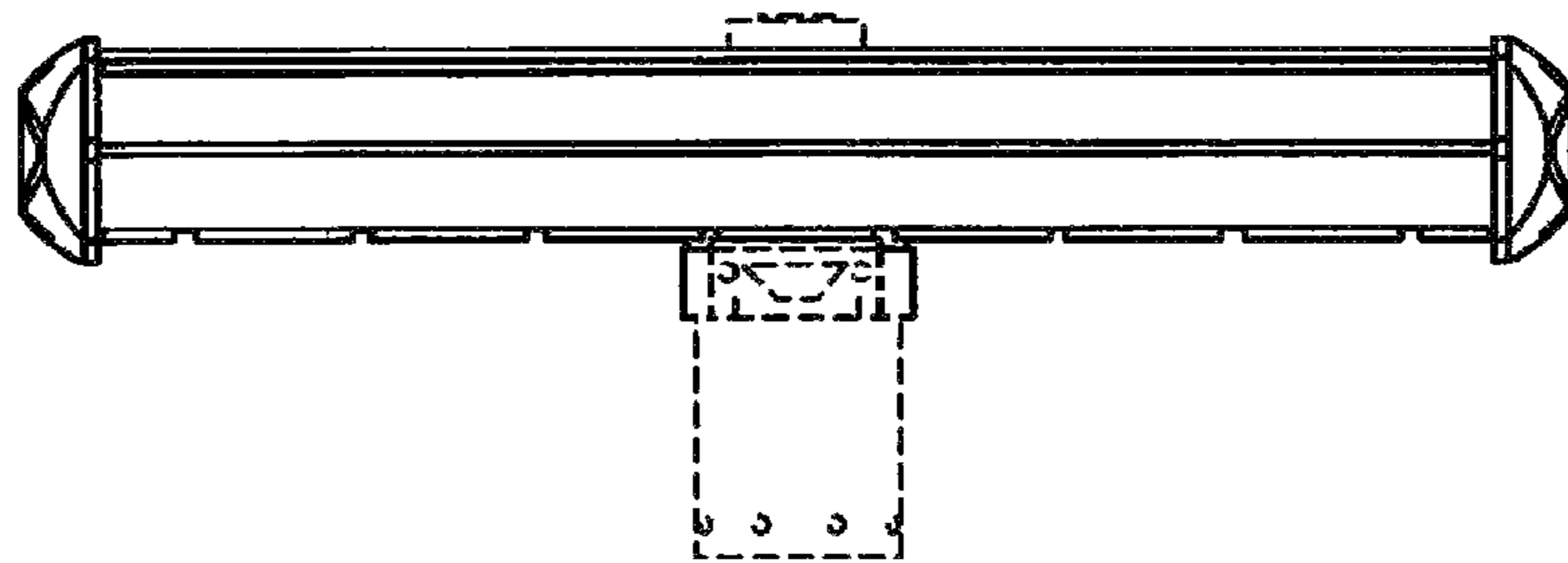


FIG. 6

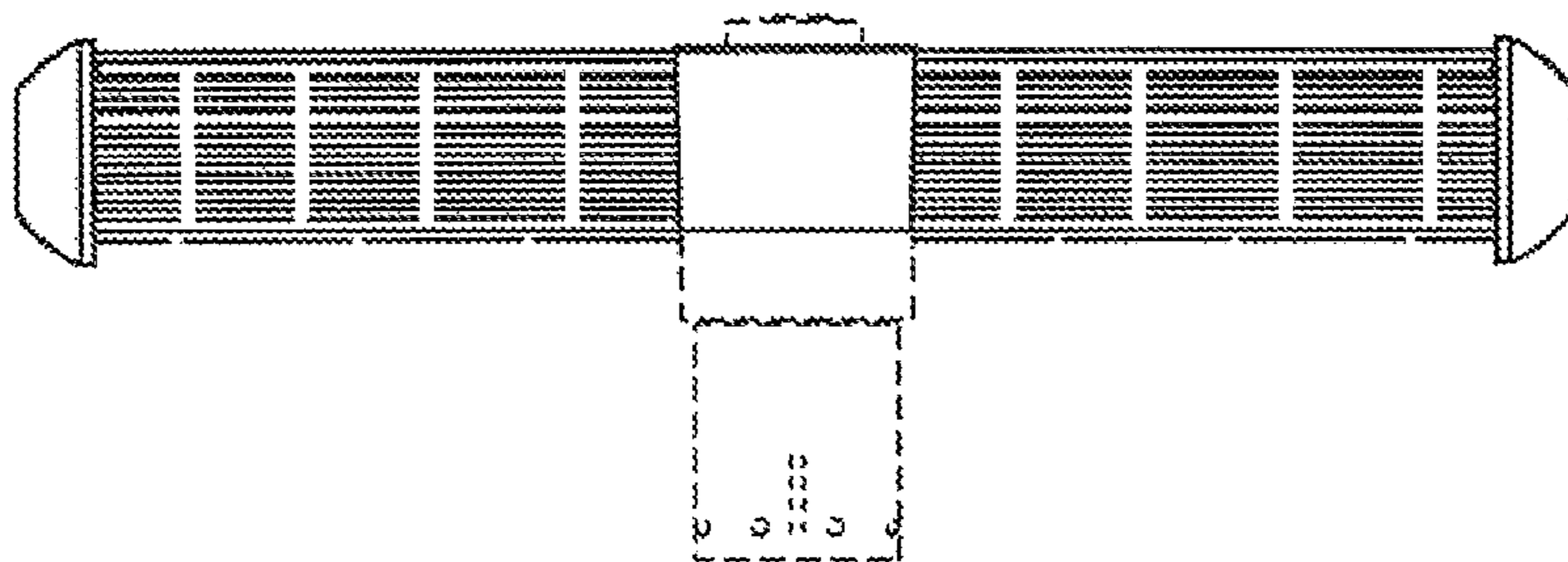


FIG. 7

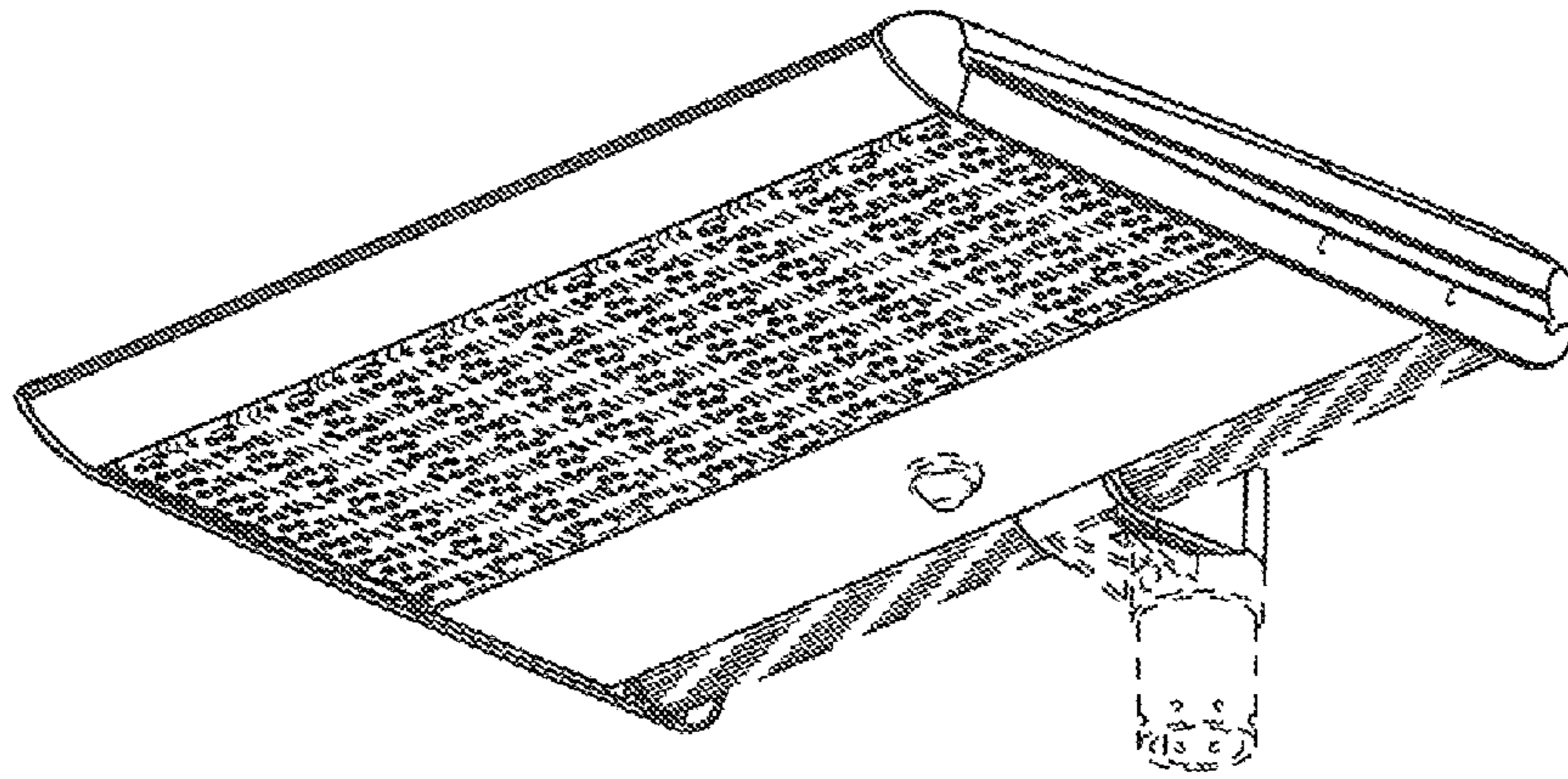


FIG. 8

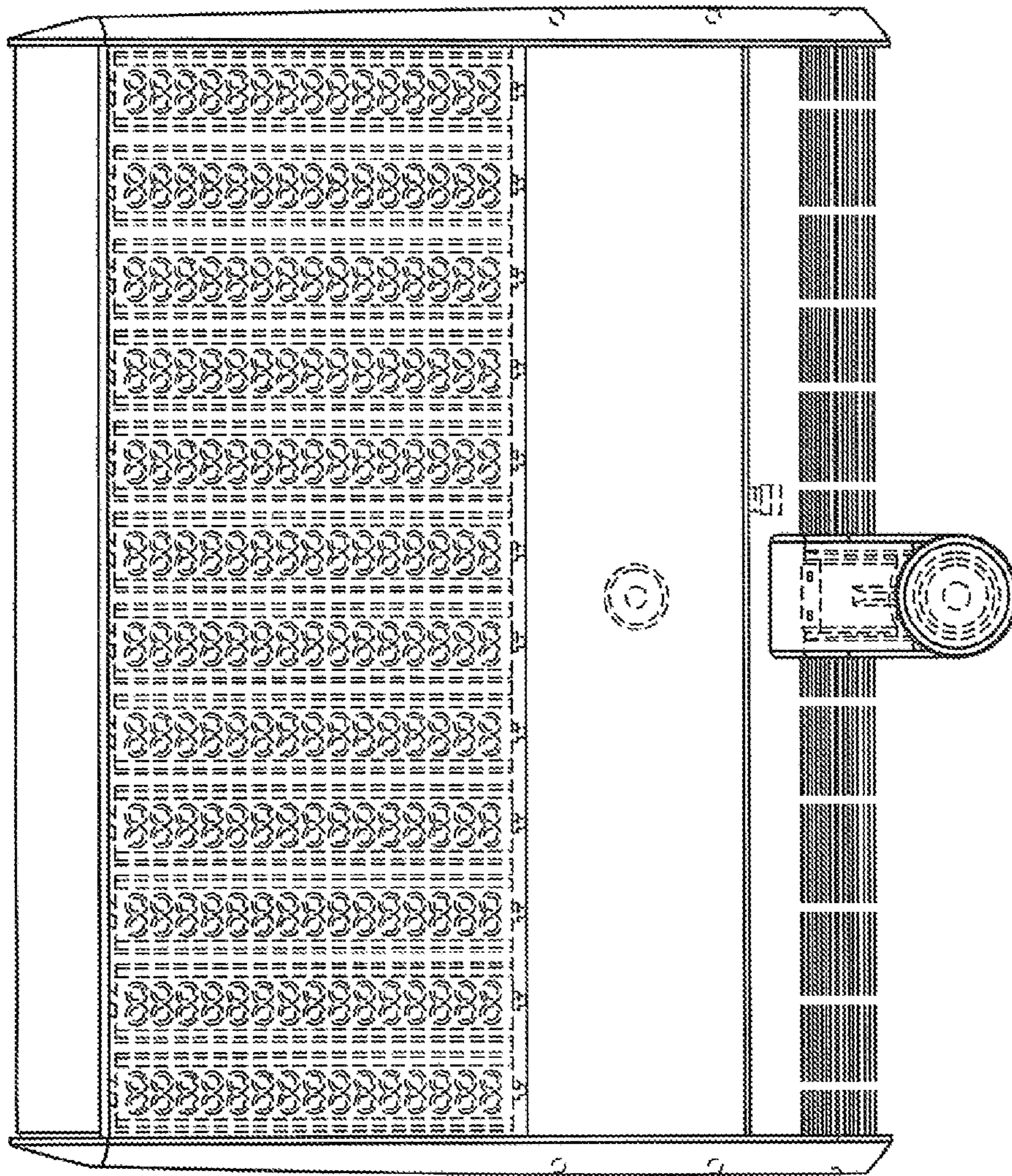


FIG. 9

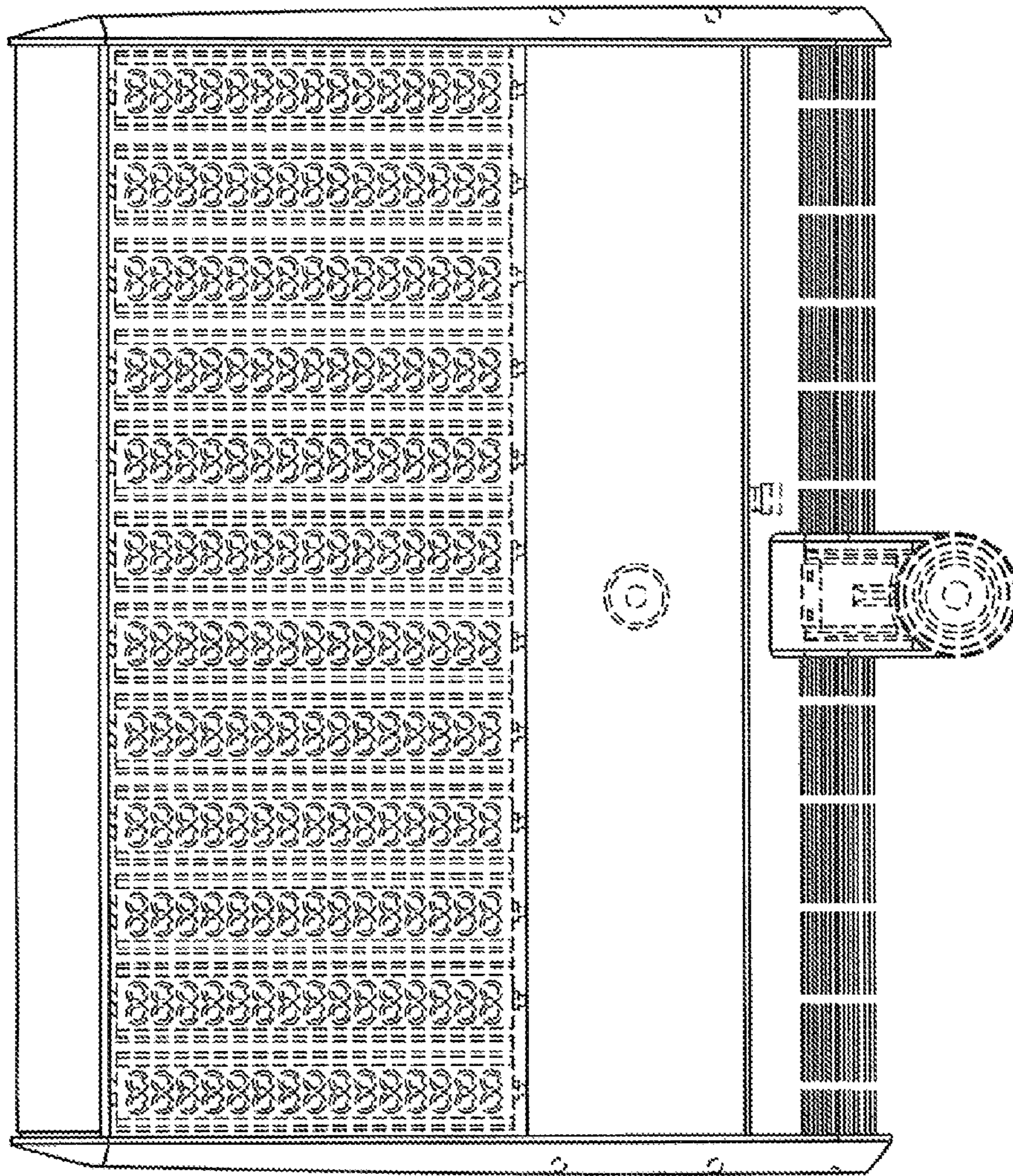


FIG. 9

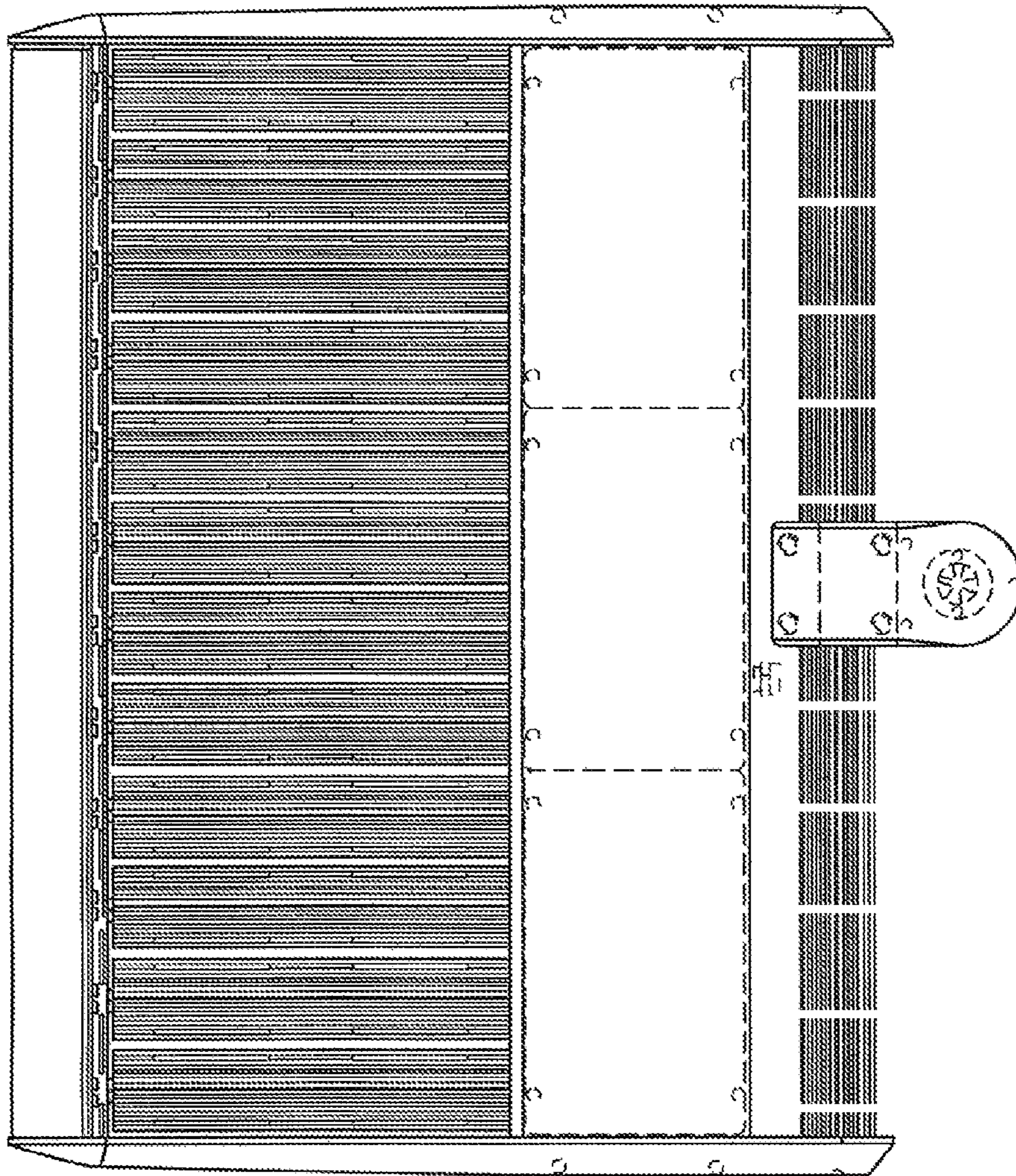


FIG. 10

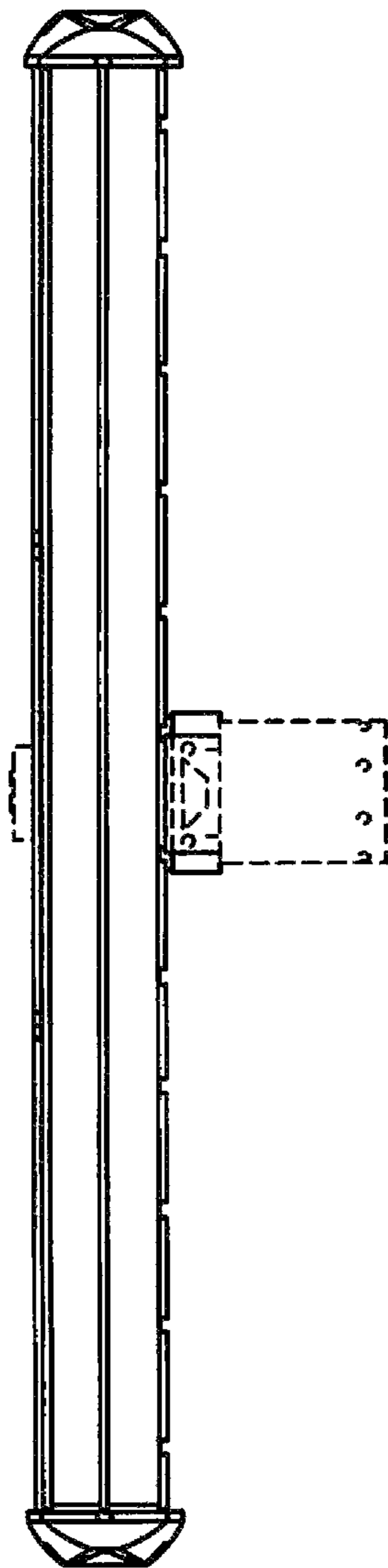


FIG. 11

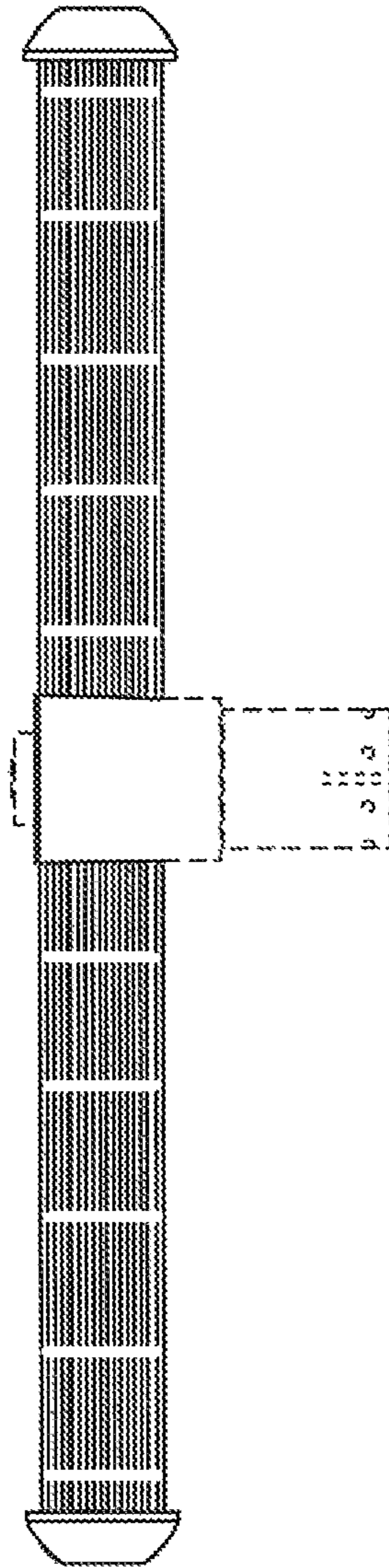


FIG. 12

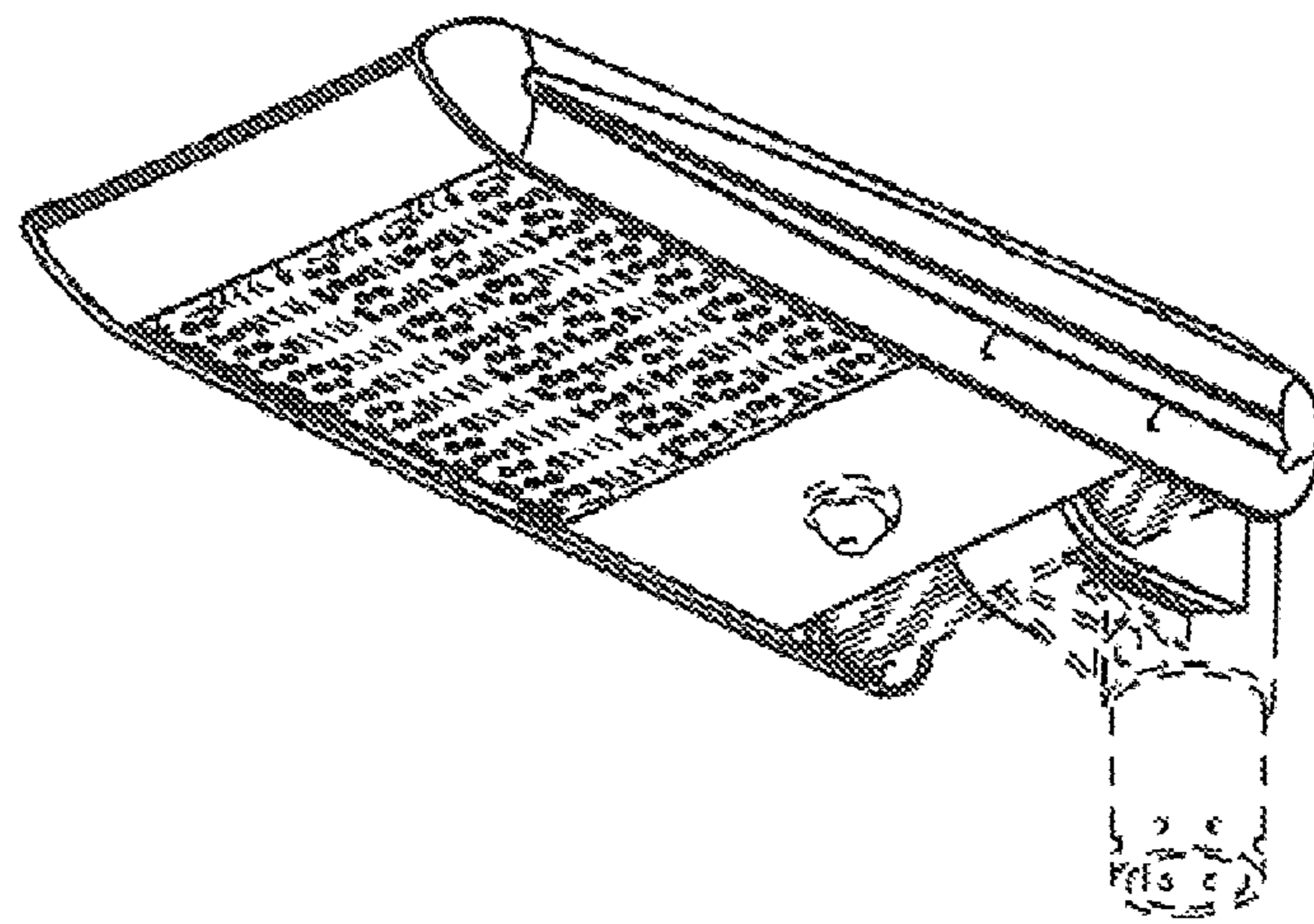


FIG. 13

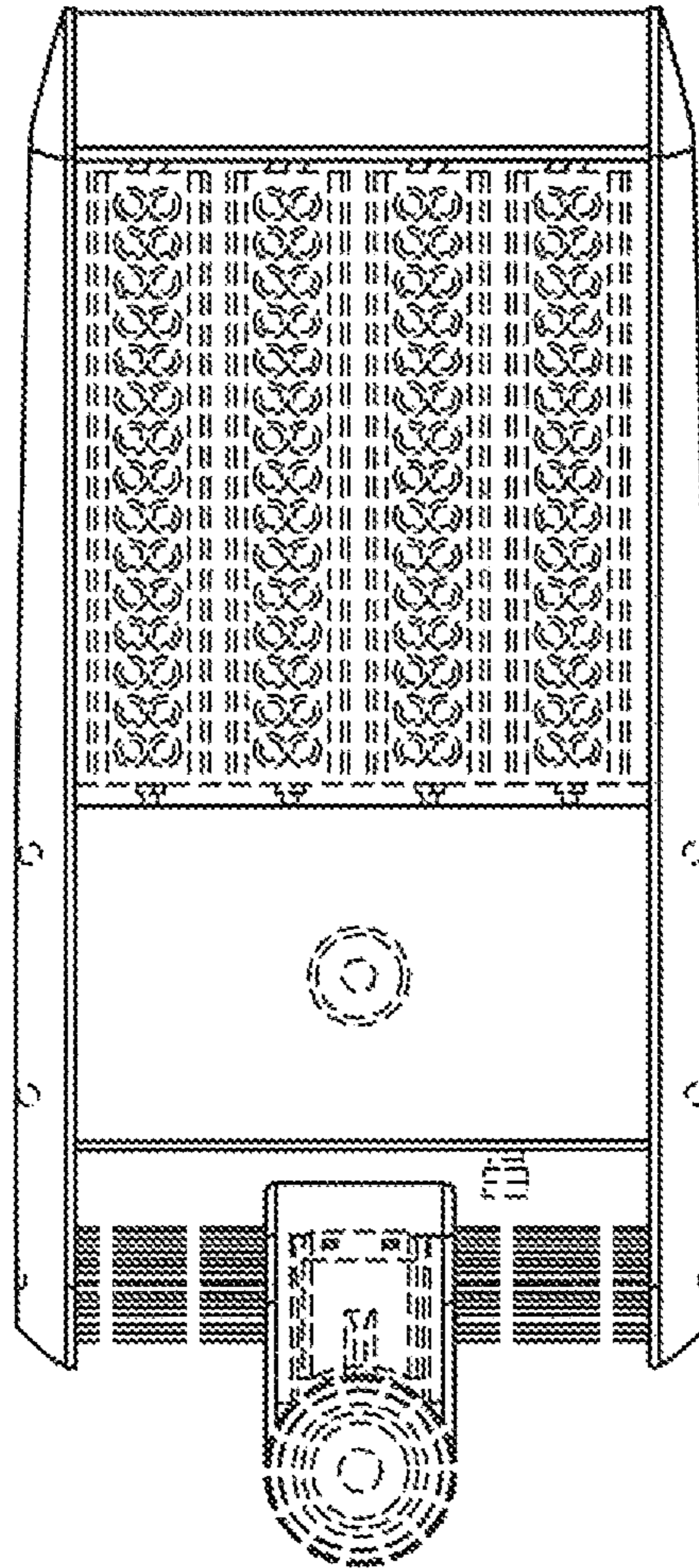


FIG. 14

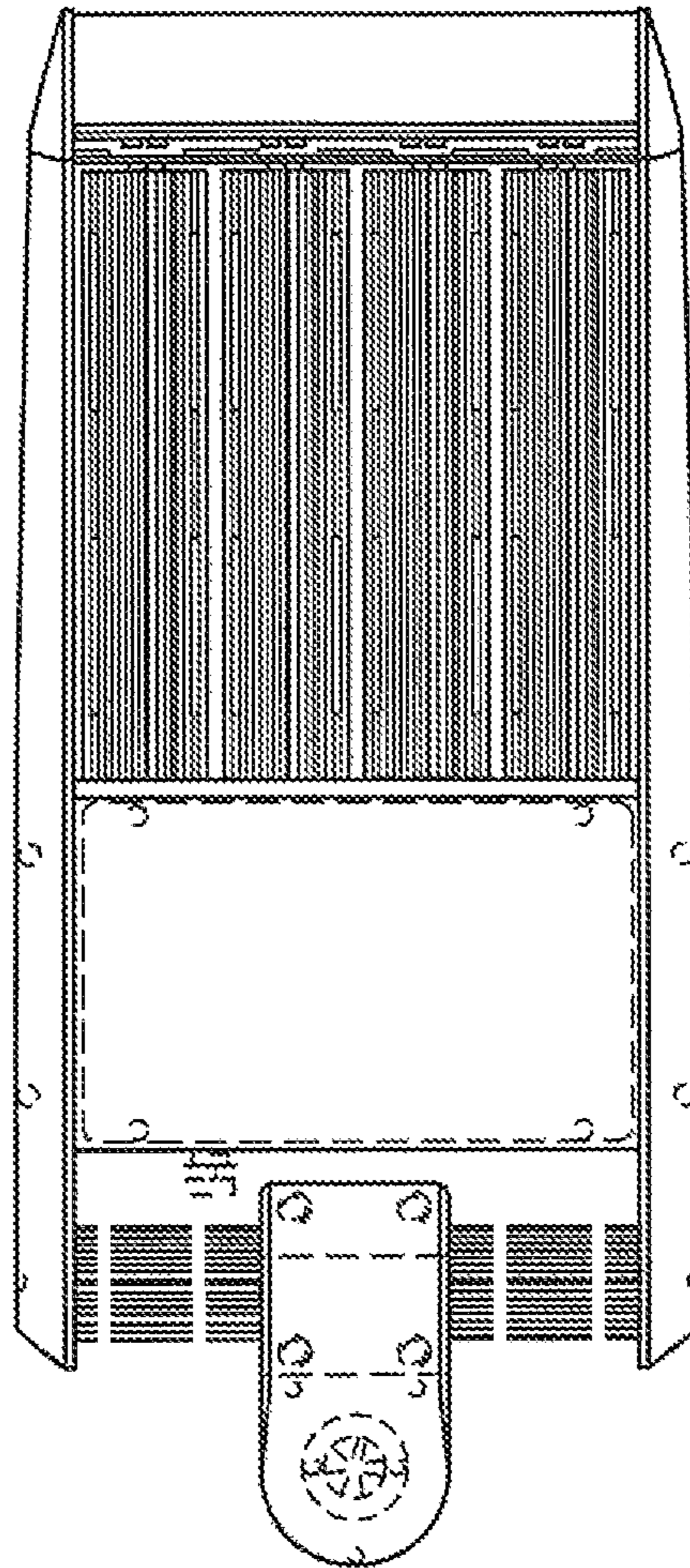


FIG. 15

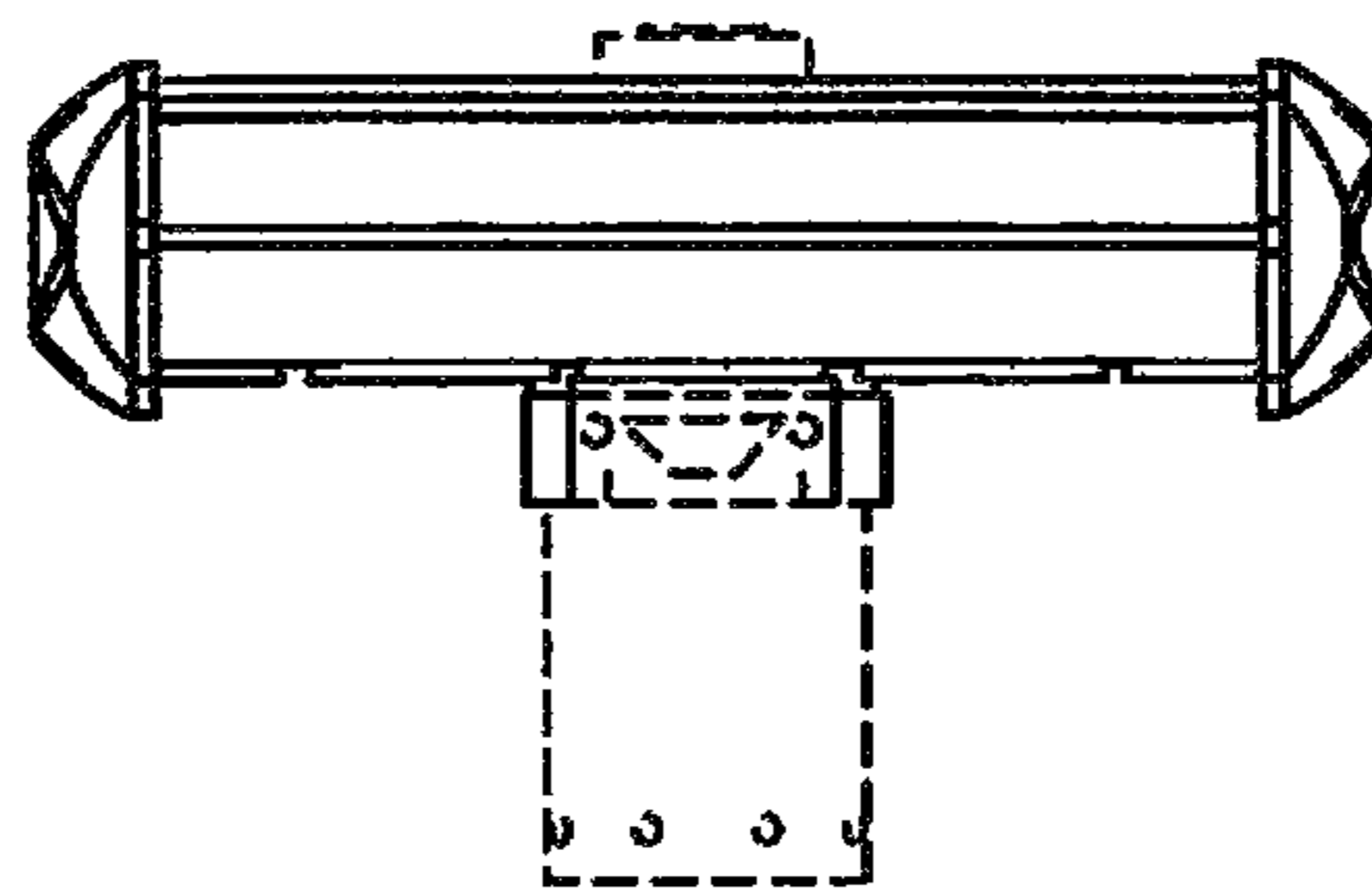


FIG. 16

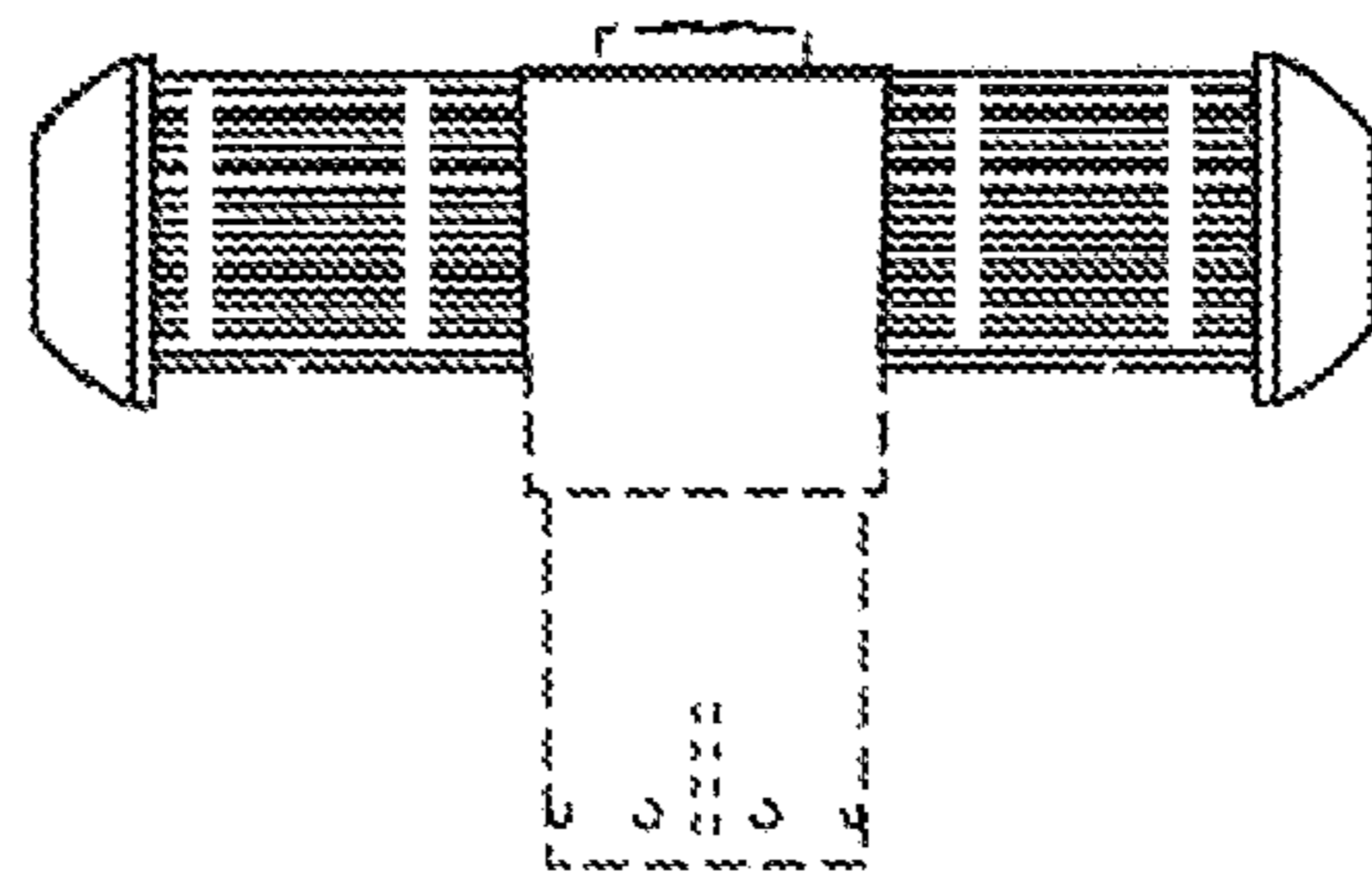


FIG. 17