



US00D694450S

(12) **United States Design Patent**
Valeri et al.

(10) **Patent No.:** **US D694,450 S**

(45) **Date of Patent:** **** Nov. 26, 2013**

(54) **SPOTLIGHT AND SUPPORTING BASE**

(71) Applicant: **D.T.S. Illuminazione S.R.L.**, Misano
Adriatico (IT)

(72) Inventors: **Lamberto Valeri**, Marignano (IT);
Eliseo Latteo, San Clemente (IT)

(73) Assignee: **D.T.S. Illuminazione S.R.L.**, Misano
Adriatico (IT)

(**) Term: **14 Years**

(21) Appl. No.: **29/436,431**

(22) Filed: **Nov. 6, 2012**

(51) **LOC (9) Cl.** **26-03**

(52) **U.S. Cl.**
USPC **D26/63**

(58) **Field of Classification Search**

USPC D26/1, 24, 60–66, 72, 85, 92, 113,
D26/118–119; 362/89, 217.01, 220, 217.02,
362/217.1, 217.14, 217.16, 257, 268–269,
362/275, 277, 282, 285, 310, 362, 368, 370,
362/382, 404, 418, 425, 427, 432, 433, 457,
362/804

See application file for complete search history.

(56) **References Cited**

U.S. PATENT DOCUMENTS

D120,741 S * 5/1940 Naylor D26/65

D235,222 S *	5/1975	Larson	D26/65
D242,945 S *	1/1977	Moore	D26/65
D359,574 S *	6/1995	Bornhorst et al.	D26/65
D486,259 S *	2/2004	Crawford et al.	D26/51
D552,782 S *	10/2007	Korpi	D26/63
D606,690 S *	12/2009	Orrom et al.	D26/61
D618,377 S *	6/2010	Toft	D26/93
D620,187 S *	7/2010	Quadri	D26/63
D639,983 S *	6/2011	Quadri	D26/61
D667,582 S *	9/2012	Toft	D26/63

* cited by examiner

Primary Examiner — Brian N Vinson

(74) *Attorney, Agent, or Firm* — Steinfl & Bruno, LLP

(57) **CLAIM**

The design for the spotlight and supporting base, as shown and described.

DESCRIPTION

FIG. 1 is a perspective view of the spotlight and supporting base.

FIG. 2 is a front view of the spotlight and supporting base.

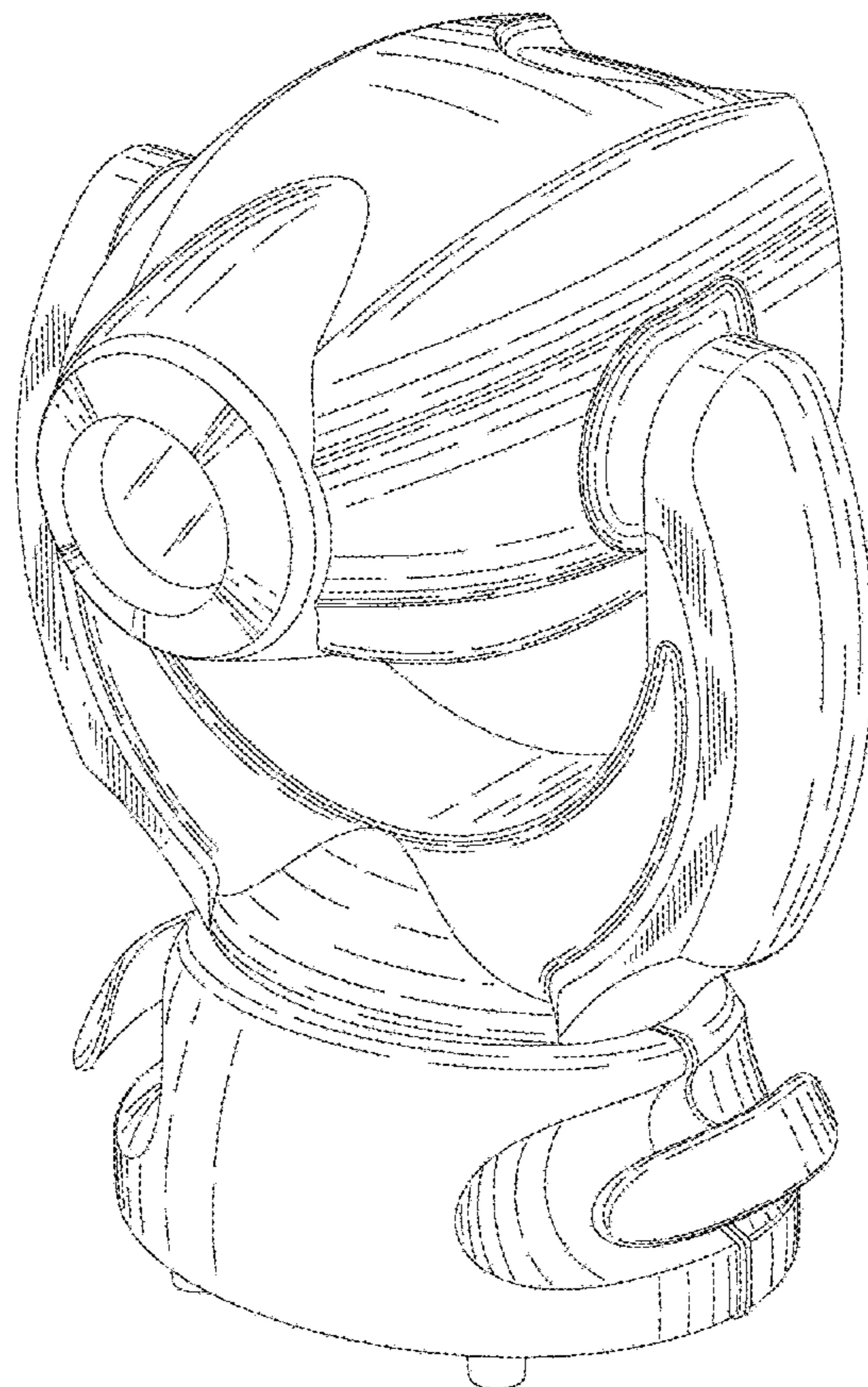
FIG. 3 is a left side view of the spotlight and supporting base.

FIG. 4 is a rear view of the spotlight and supporting base.

FIG. 5 is a right side view of the spotlight and supporting base; and,

FIG. 6 is a top view of the spotlight and supporting base.

1 Claim, 6 Drawing Sheets



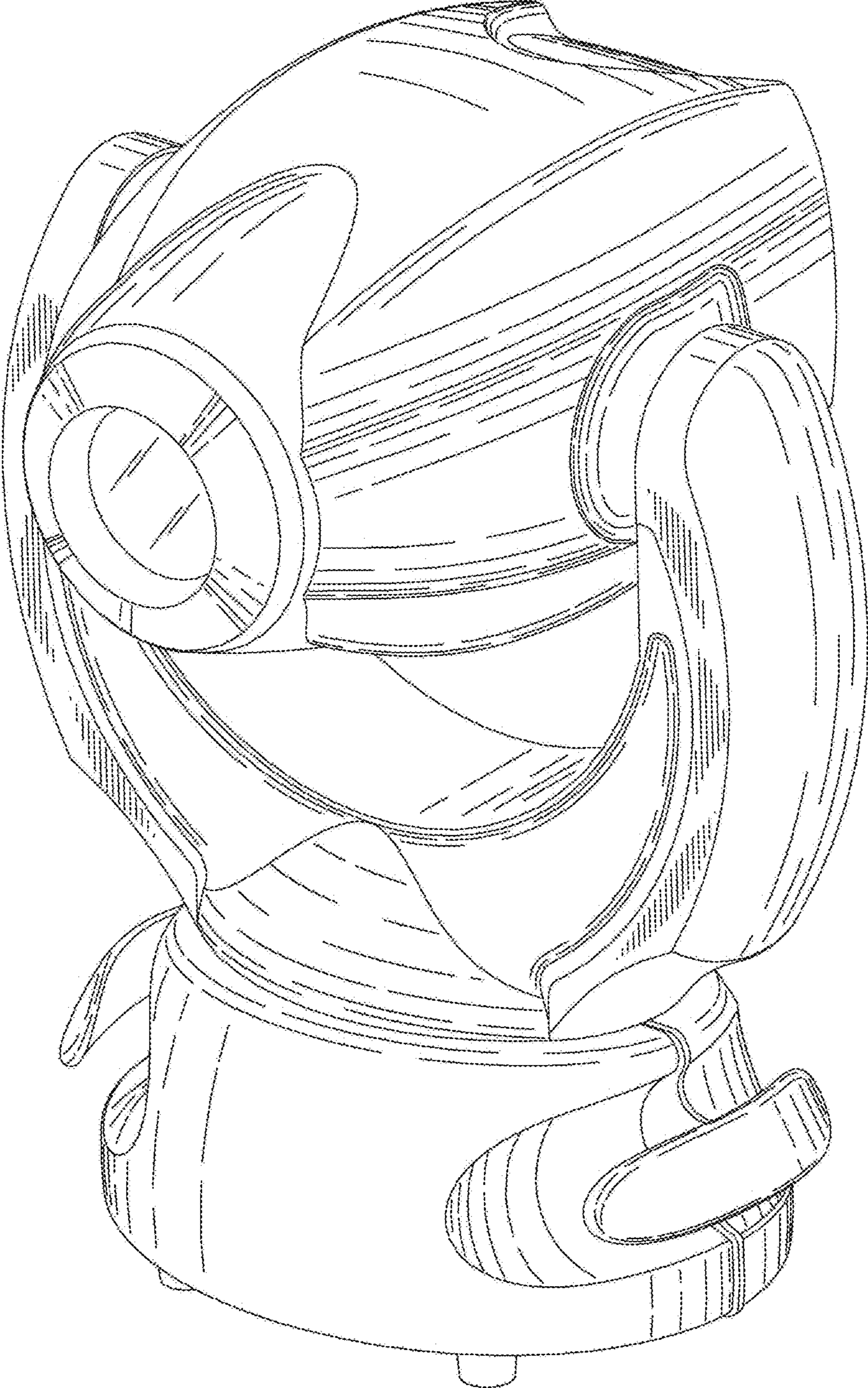


Fig. 1

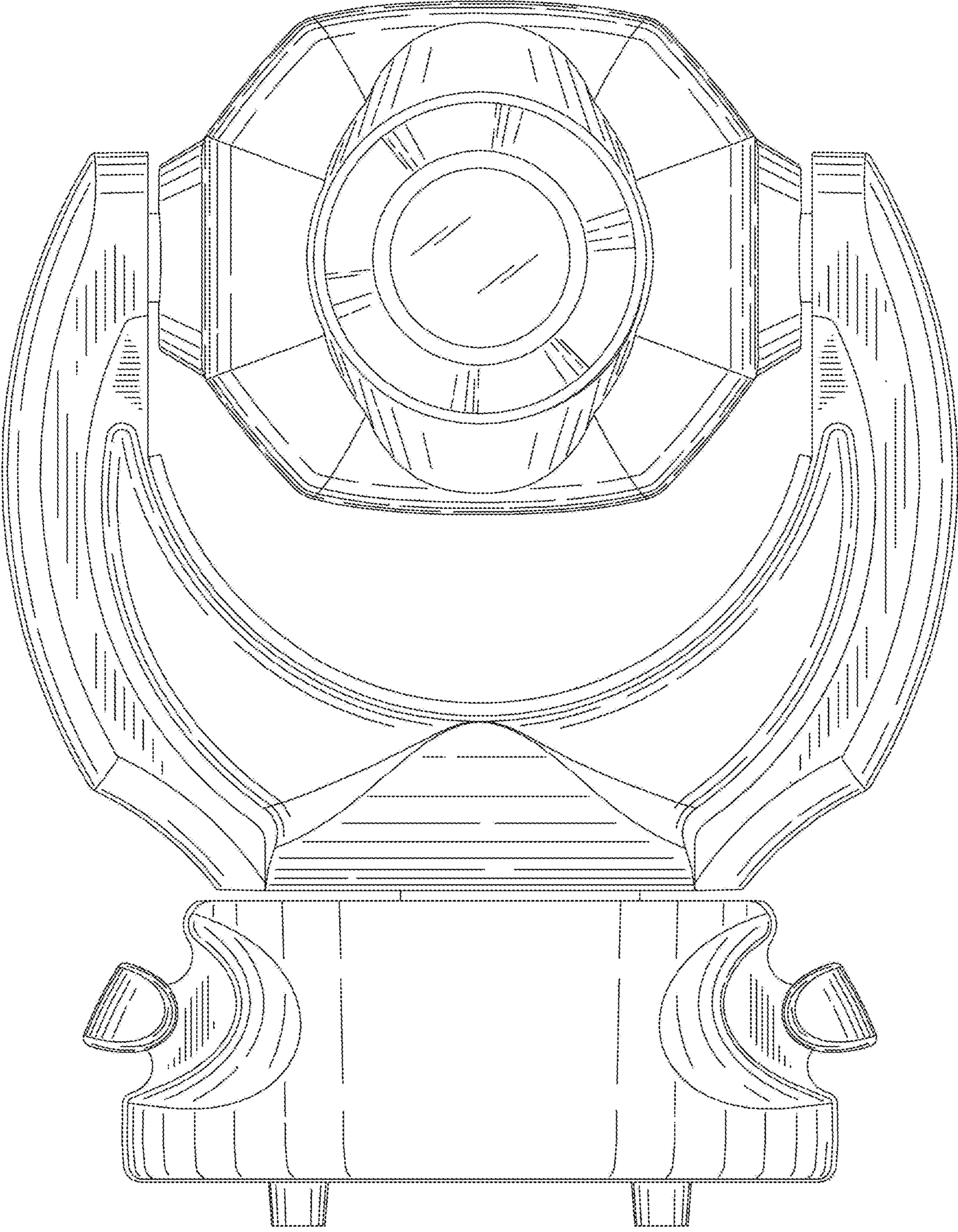


Fig. 2

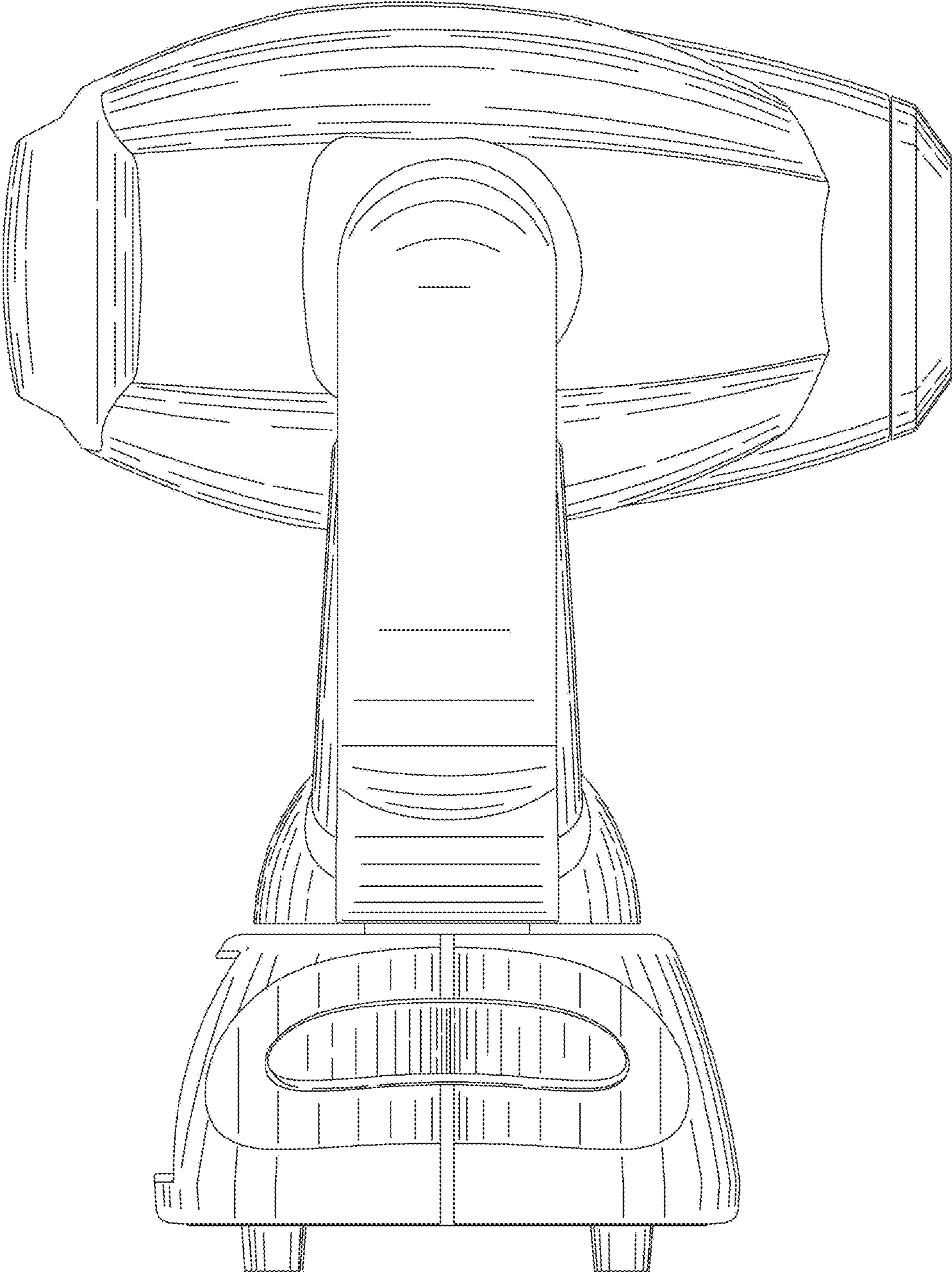


Fig. 3

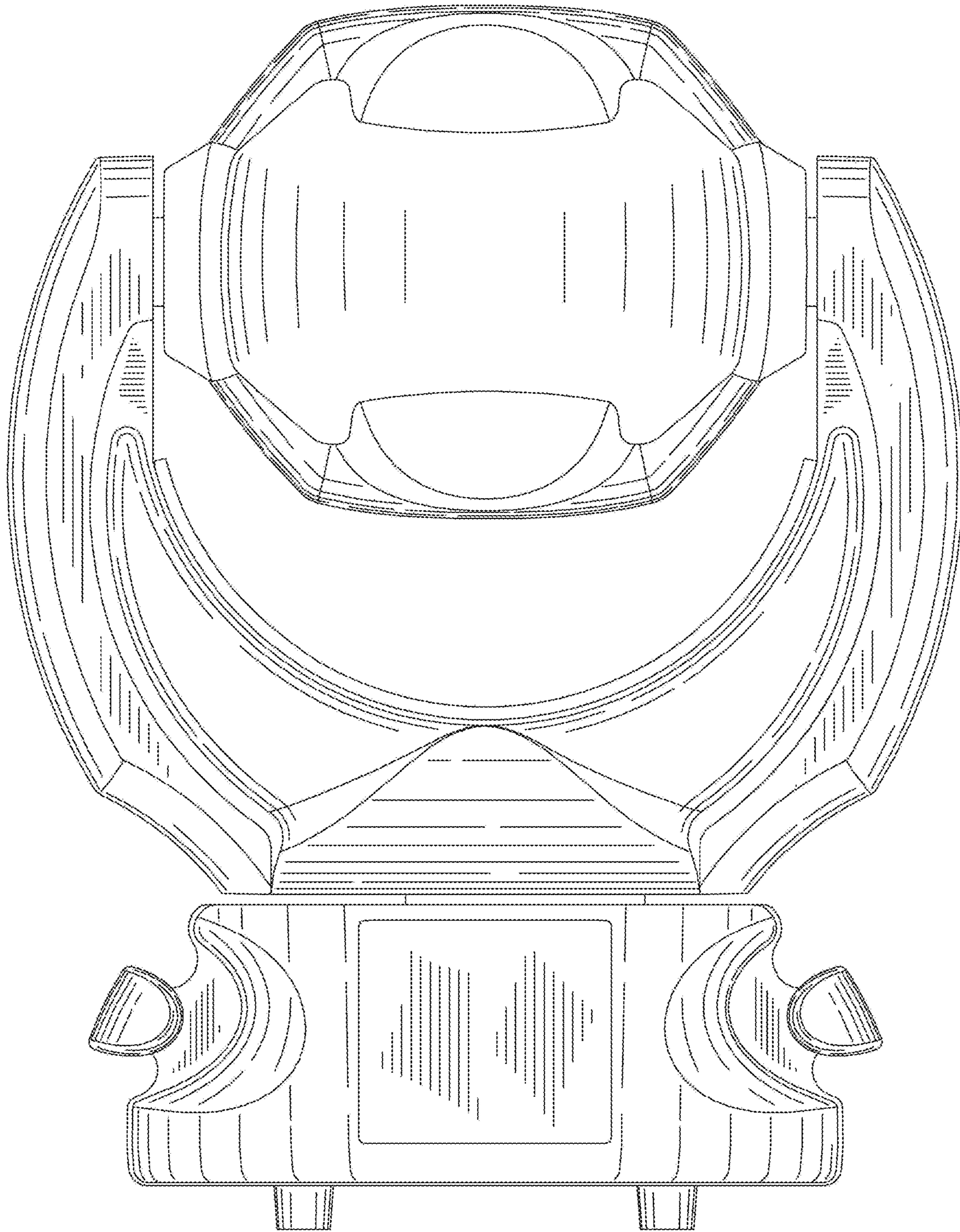


Fig. 4

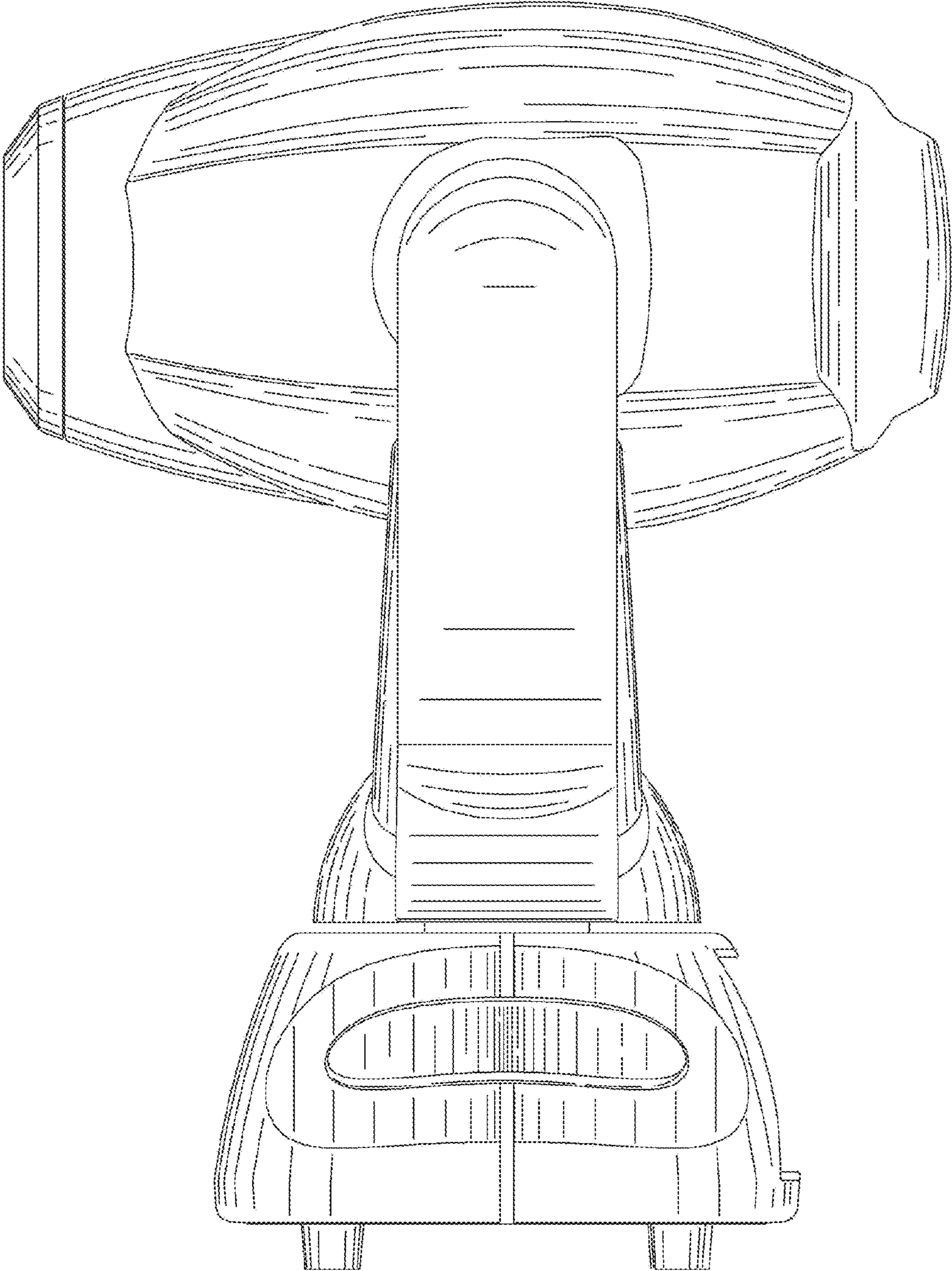


Fig. 5

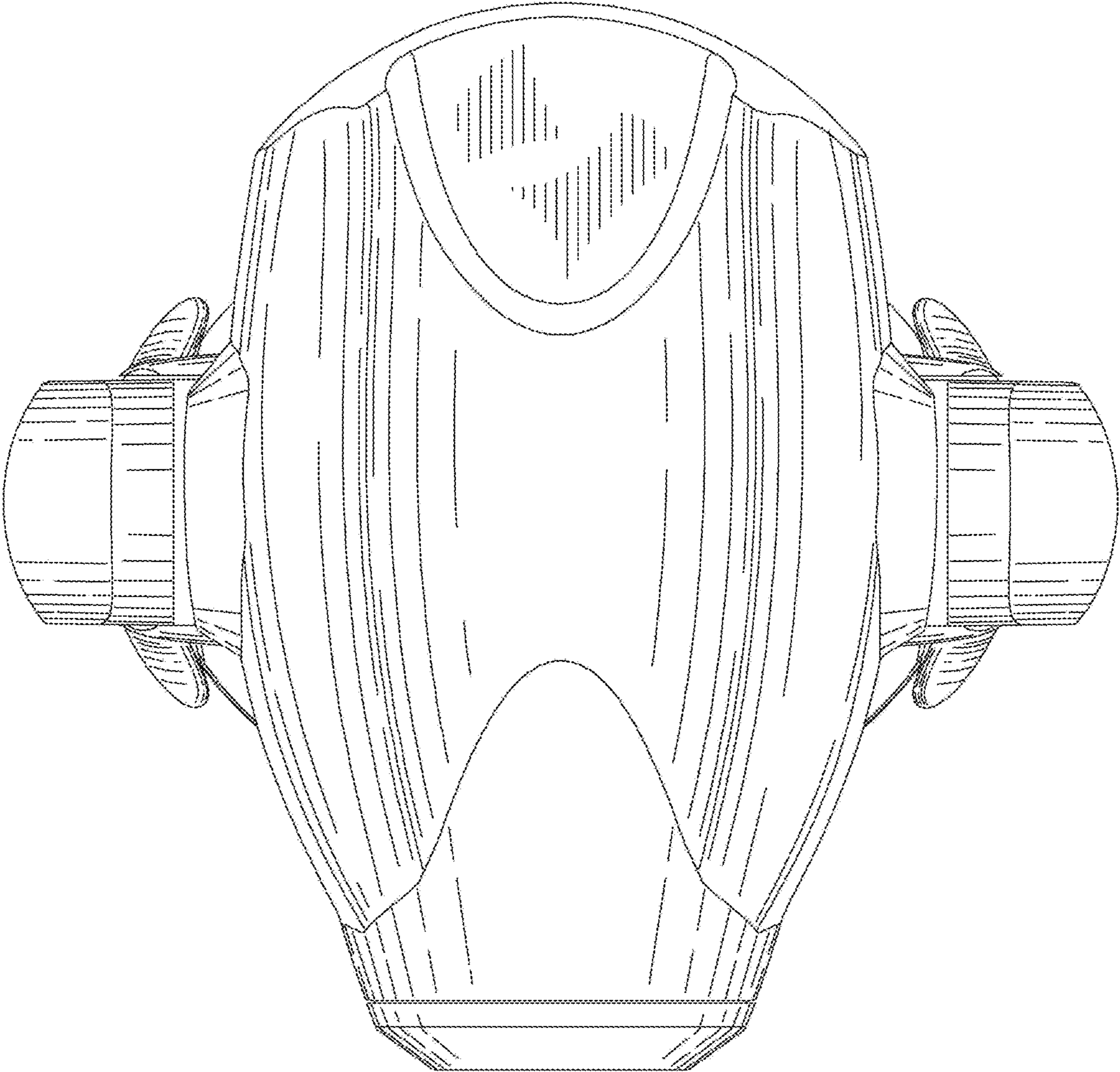


Fig. 6