



US00D694448S

(12) **United States Design Patent**
Li

(10) **Patent No.:** **US D694,448 S**

(45) **Date of Patent:** **** Nov. 26, 2013**

(54) **STAND LIGHT**

(76) Inventor: **Wei Li**, Shenzhen (CN)

(**) Term: **14 Years**

(21) Appl. No.: **29/442,064**

(22) Filed: **Aug. 29, 2011**

(30) **Foreign Application Priority Data**

Aug. 9, 2011 (CN) 2011 3 0264382

(51) **LOC (9) Cl.** **26-05**

(52) **U.S. Cl.**
USPC **D26/62**

(58) **Field of Classification Search**
USPC D26/60-66; 362/98, 99, 396, 249.02,
362/311.02, 800, 285, 418, 427, 211-215,
362/217.01-217.03, 183
See application file for complete search history.

(56) **References Cited**

U.S. PATENT DOCUMENTS

D328,358 S * 7/1992 Tsang D26/62
5,217,296 A * 6/1993 Tanner et al. 362/183
D427,703 S * 7/2000 Chan D26/60

D498,322 S * 11/2004 Schnell D26/60
D522,677 S * 6/2006 Ming D26/60
D529,651 S * 10/2006 Chan D26/60
7,481,554 B2 * 1/2009 Anderson et al. 362/249.02
D641,902 S * 7/2011 Chan D26/60

* cited by examiner

Primary Examiner — Susan M Lee

Assistant Examiner — Linda Brooks

(74) *Attorney, Agent, or Firm* — Hamre, Schumann, Mueller & Larson, P.C.

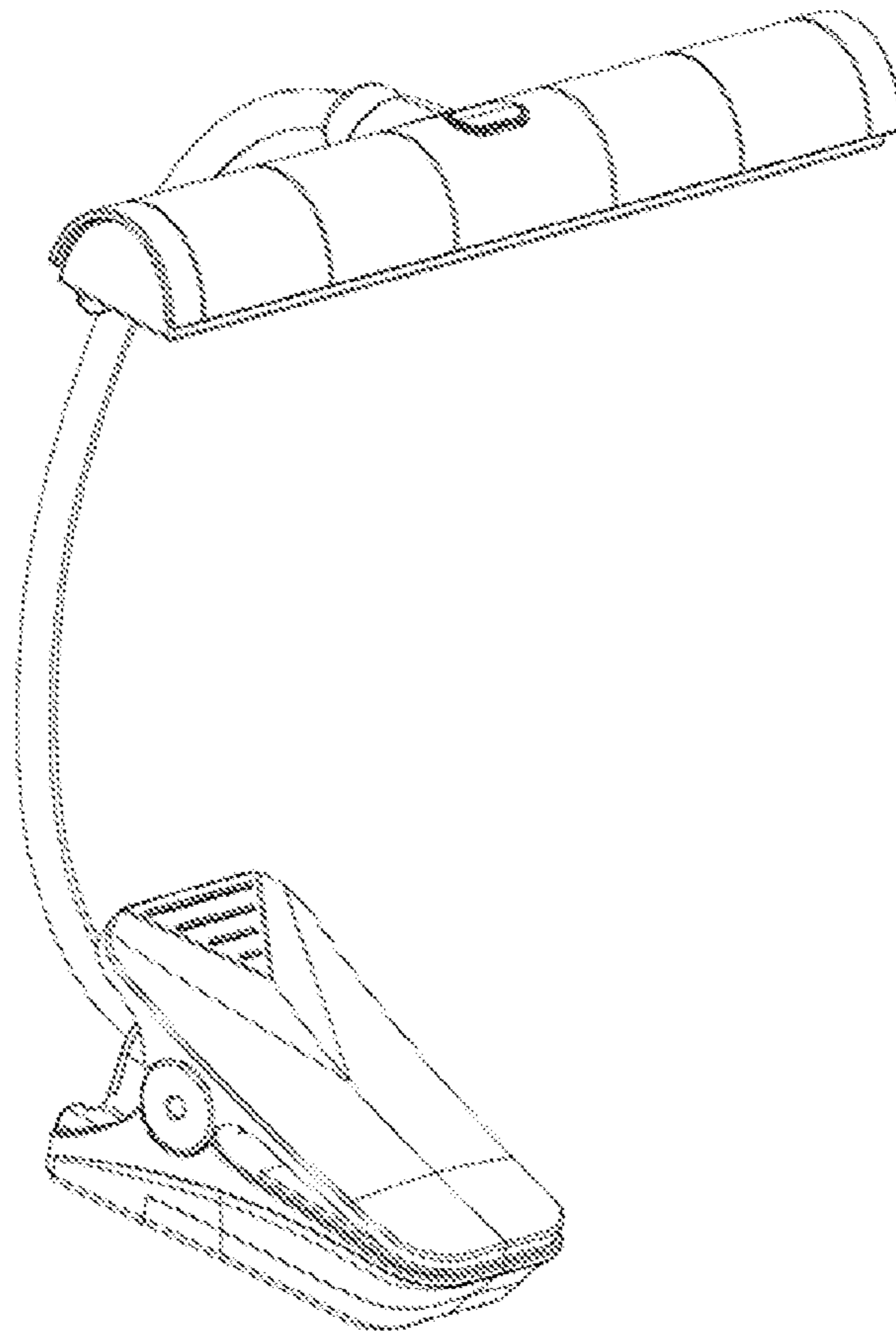
(57) **CLAIM**

The ornamental design for a stand light, as shown and described.

DESCRIPTION

FIG. 1 is a front perspective view of a stand light showing our new design;
FIG. 2 is a front elevational view thereof;
FIG. 3 is a rear elevational view thereof;
FIG. 4 is a left side elevational view thereof;
FIG. 5 is a right side elevational view thereof;
FIG. 6 is a top plan view thereof; and,
FIG. 7 is a bottom plan view thereof.
The broken lines illustrate unclaimed structure.

1 Claim, 7 Drawing Sheets



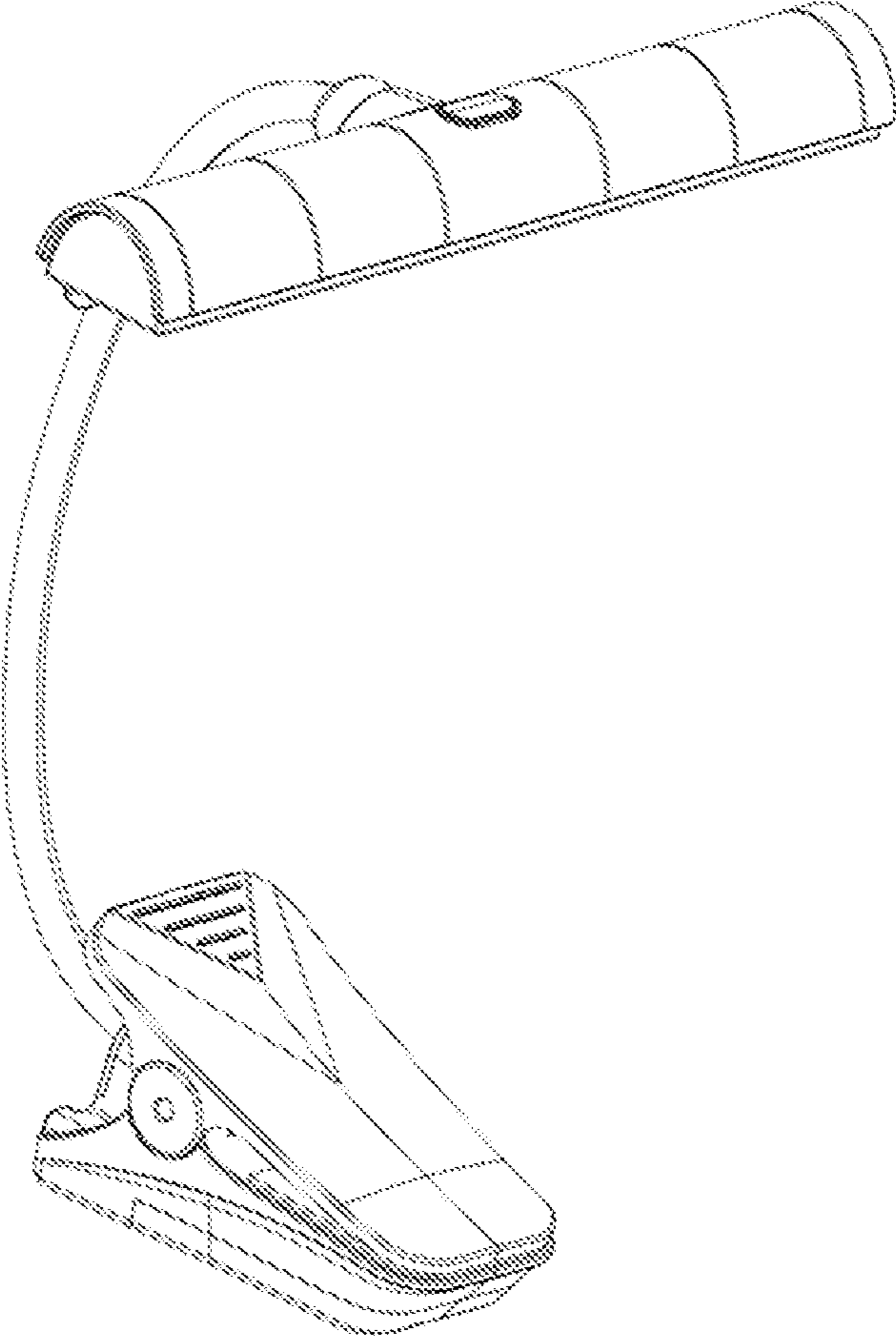


FIG 1

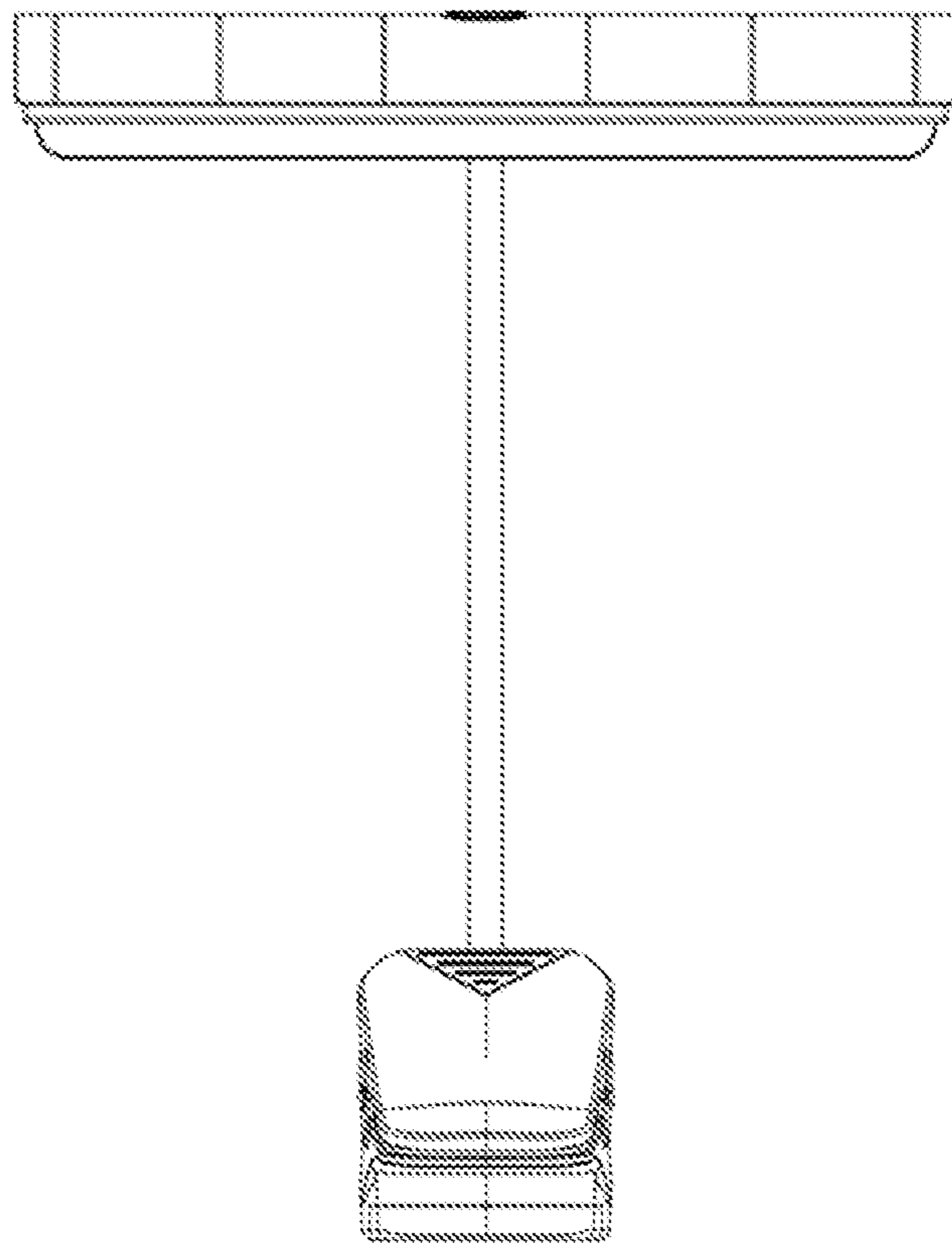


FIG 2

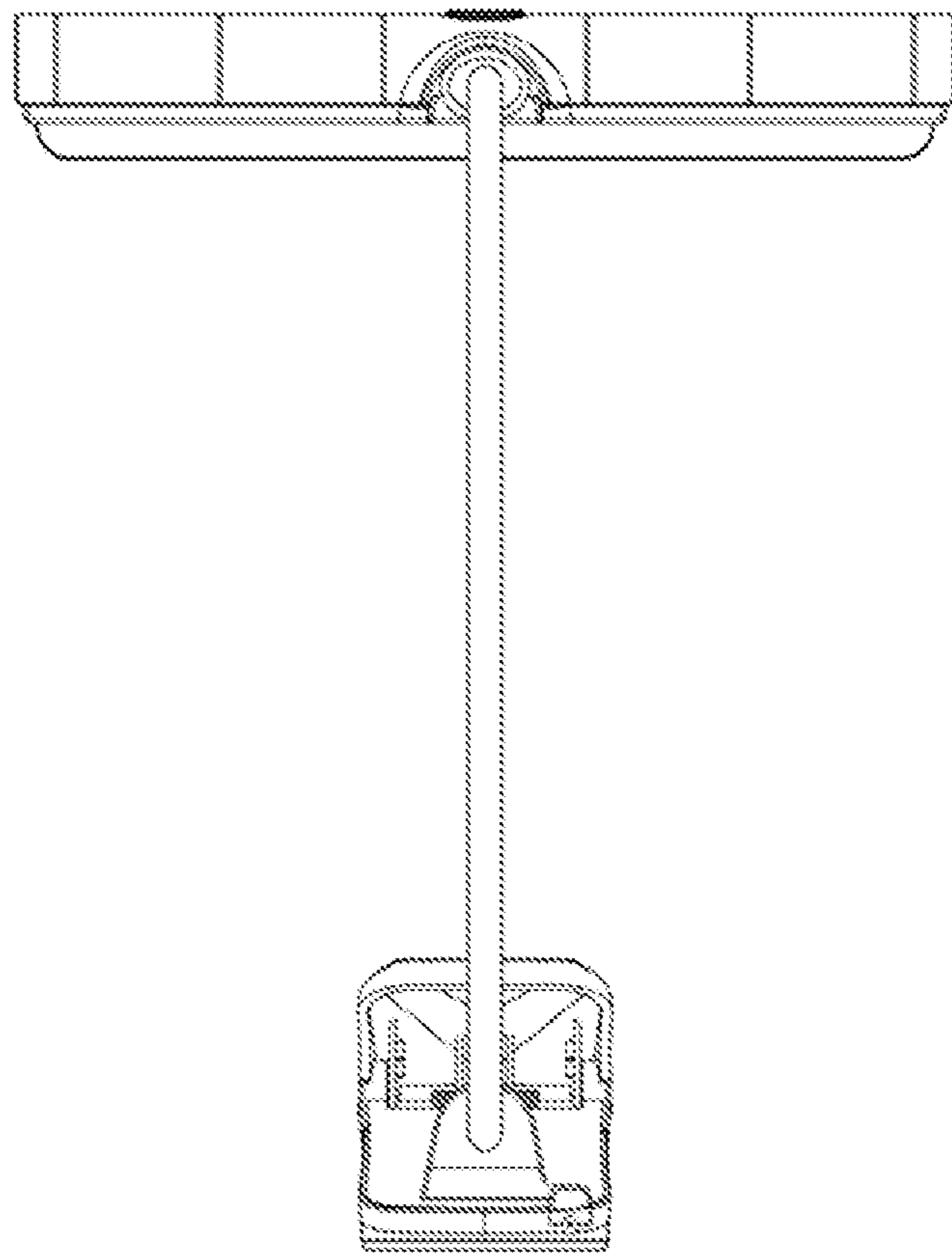


FIG 3

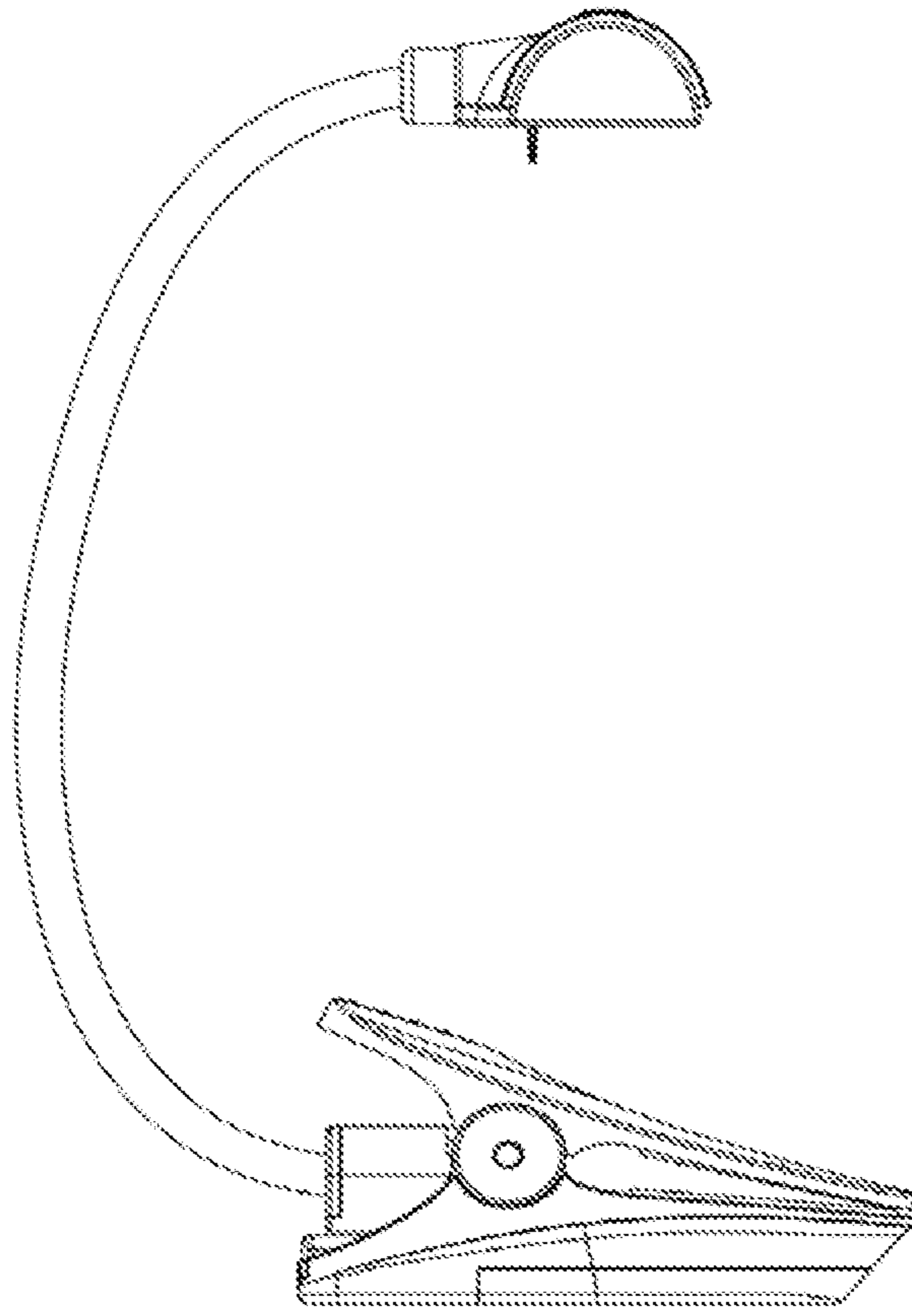


FIG 4

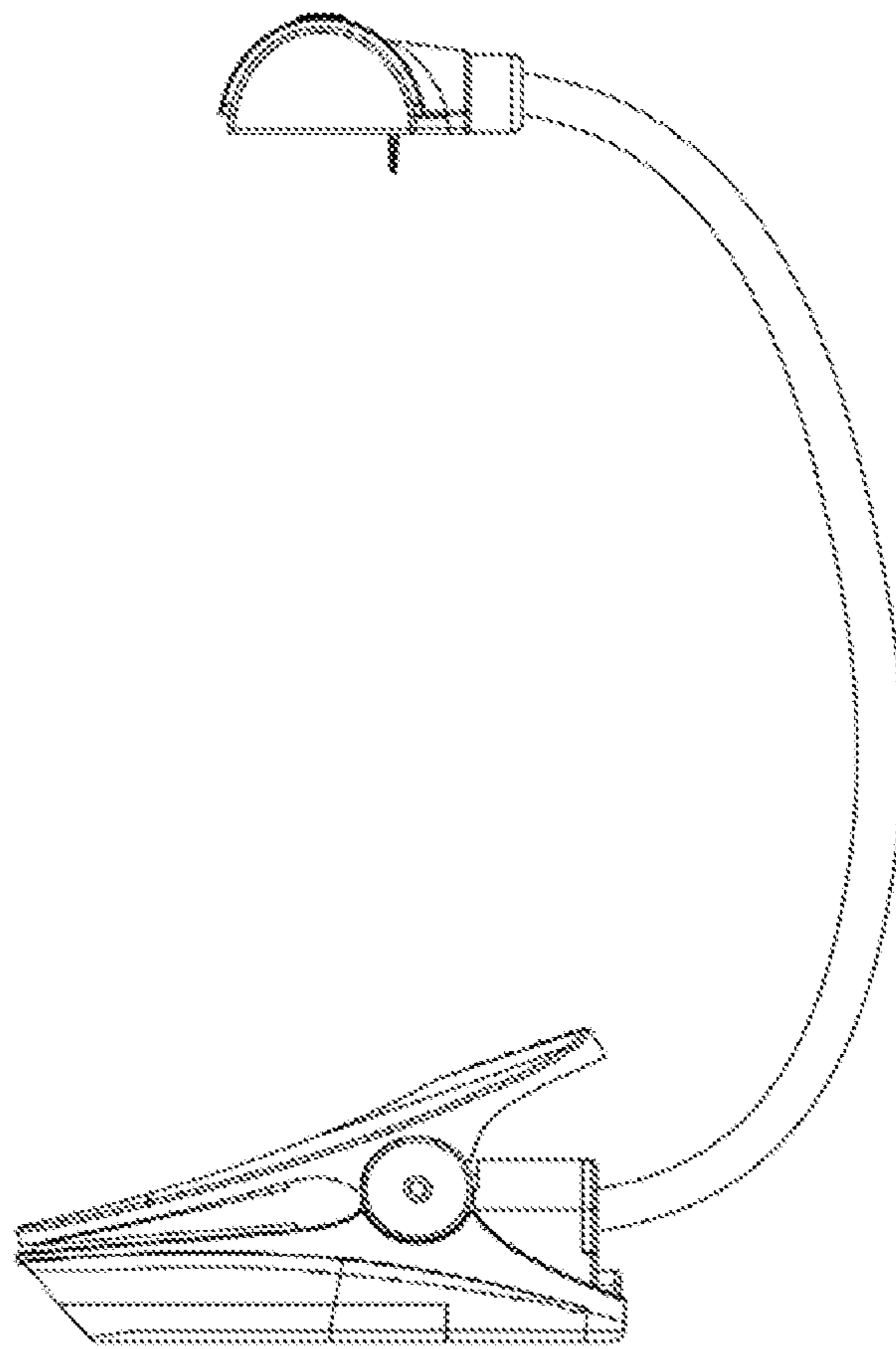


FIG 5

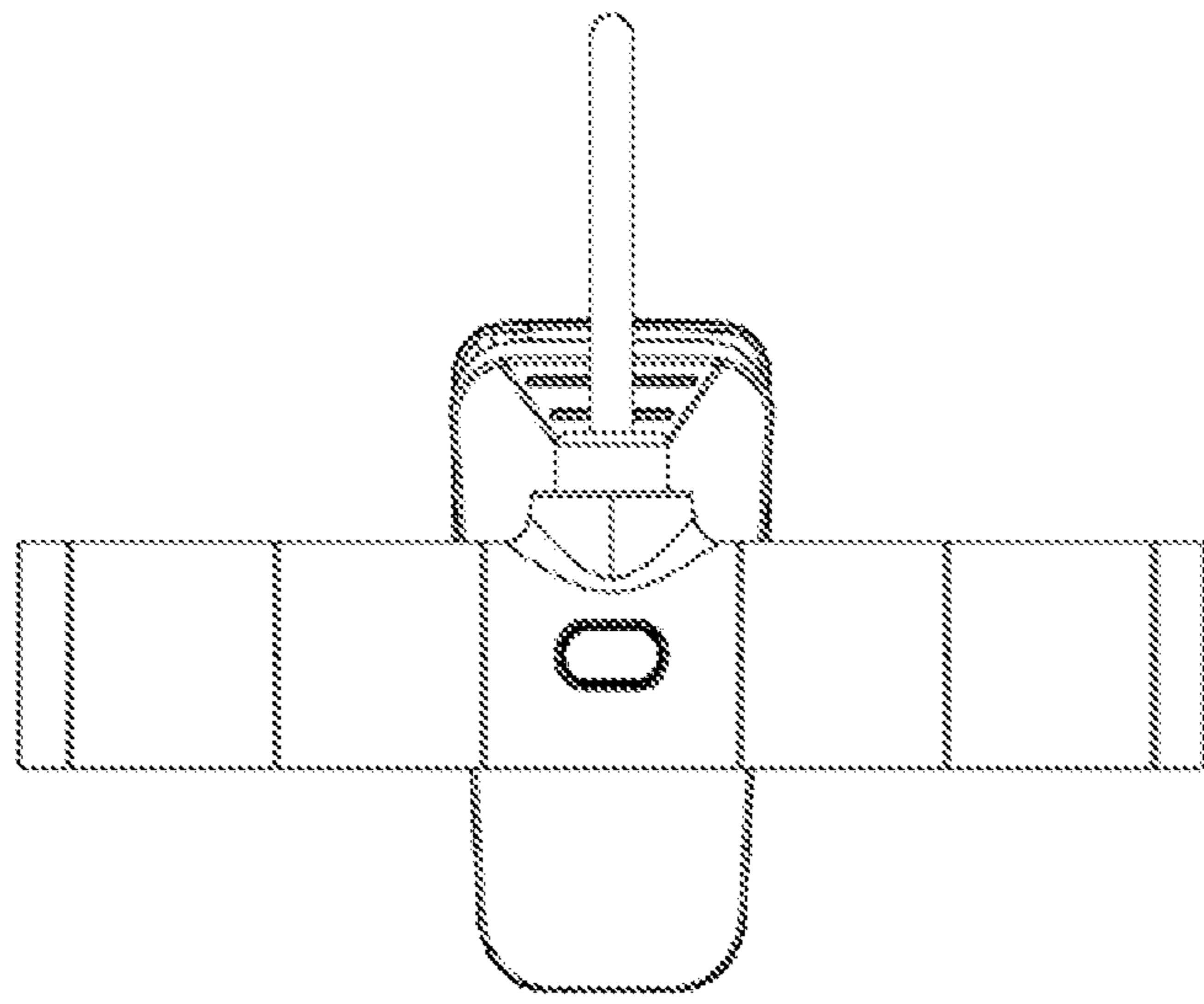


FIG 6

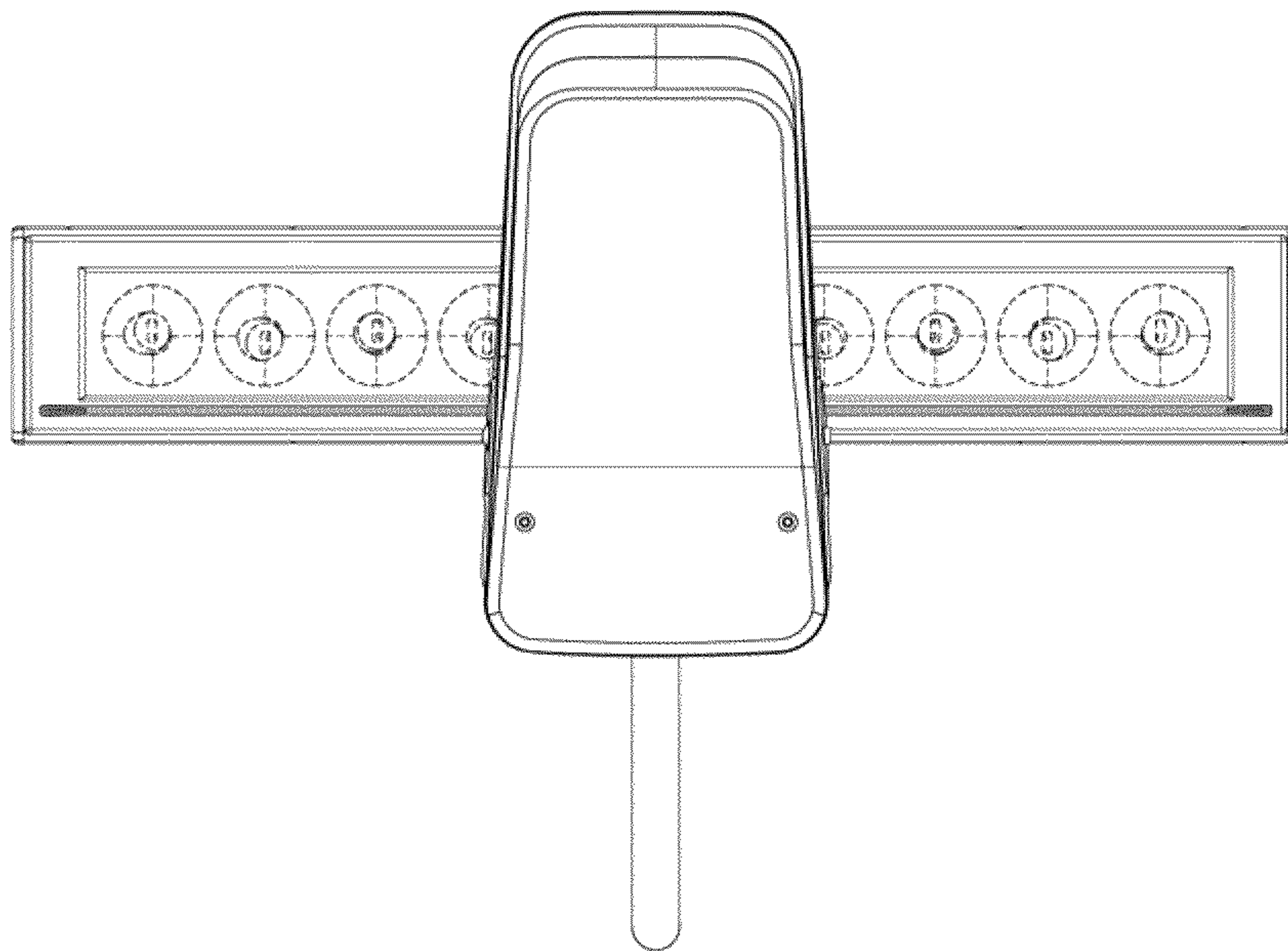


FIG. 7