



US00D694446S

(12) **United States Design Patent**  
**Zhou et al.**

(10) **Patent No.:** **US D694,446 S**  
(45) **Date of Patent:** **\*\* Nov. 26, 2013**

(54) **INSPECTION LAMP**

(75) Inventors: **Cheng Zhou**, Shanghai (CN); **Jin Cheryl Kwon**, Hong Kong (HK)

(73) Assignee: **Koninklijke Philips N.V.**, Eindhoven (NL)

(\*\*) Term: **14 Years**

(21) Appl. No.: **29/410,088**

(22) Filed: **Jan. 4, 2012**

(30) **Foreign Application Priority Data**

Jul. 4, 2011 (EM) ..... 001886698-0002

(51) **LOC (9) Cl.** ..... **26-02**

(52) **U.S. Cl.**  
USPC ..... **D26/42**

(58) **Field of Classification Search**  
USPC ..... D26/37, 40, 41, 42, 44, 46, 49, 61, 75;  
362/157, 158, 184, 194-196, 197,  
362/202-208, 171-174  
See application file for complete search history.

(56) **References Cited**

**U.S. PATENT DOCUMENTS**

D505,217 S \* 5/2005 Bayat et al. .... D26/42  
D540,484 S \* 4/2007 Bayat et al. .... D26/42  
D543,301 S \* 5/2007 Chen ..... D26/42

D548,382 S \* 8/2007 Akerberg ..... D26/42  
D556,926 S \* 12/2007 Thirouin ..... D26/37  
D567,977 S \* 4/2008 Jianwei ..... D26/42  
D593,695 S \* 6/2009 Levine ..... D26/42  
D596,326 S \* 7/2009 Jiang ..... D26/42  
D597,692 S \* 8/2009 Jiang ..... D26/42  
D620,627 S \* 7/2010 Kovacic et al. .... D26/42  
D637,749 S \* 5/2011 Bayat et al. .... D26/49  
D639,469 S \* 6/2011 Zhuang ..... D26/37  
D651,731 S \* 1/2012 Xu ..... D26/37

\* cited by examiner

*Primary Examiner* — Ian Simmons  
*Assistant Examiner* — Carissa C Fitts

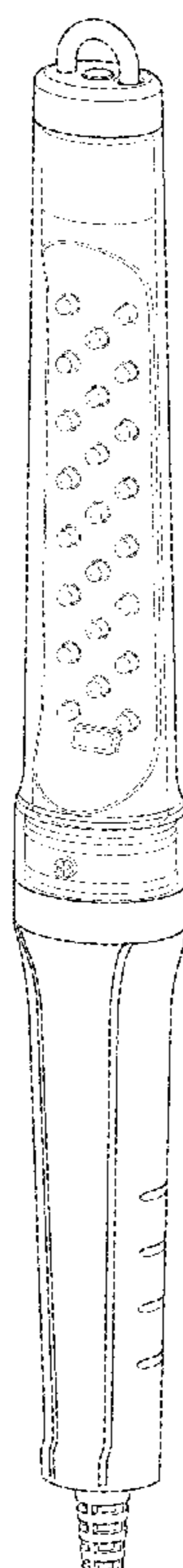
(57) **CLAIM**

The ornamental design for an inspection lamp, as shown and described.

**DESCRIPTION**

FIG. 1 is a perspective view of an inspection lamp showing our design.  
FIG. 2 is a front elevational view thereof;  
FIG. 3 is a rear elevational view thereof;  
FIG. 4 is a right side elevational view thereof;  
FIG. 5 is a left side elevational view thereof;  
FIG. 6 is a top plan view thereof; and,  
FIG. 7 is a bottom plan view thereof.  
The broken lines illustrate portions of the inspection lamp which form no part of the claimed design.

**1 Claim, 4 Drawing Sheets**



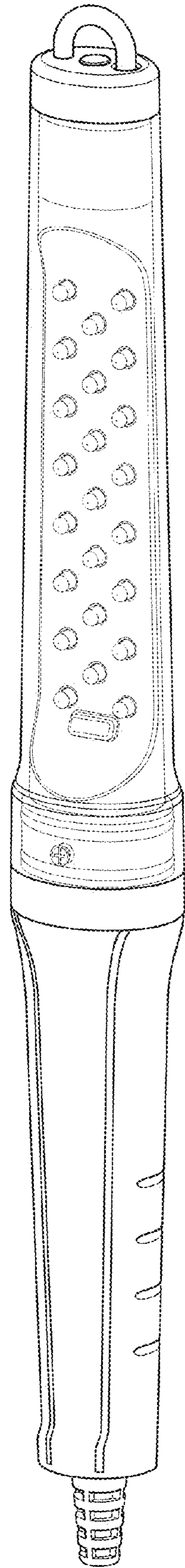


FIG. 1

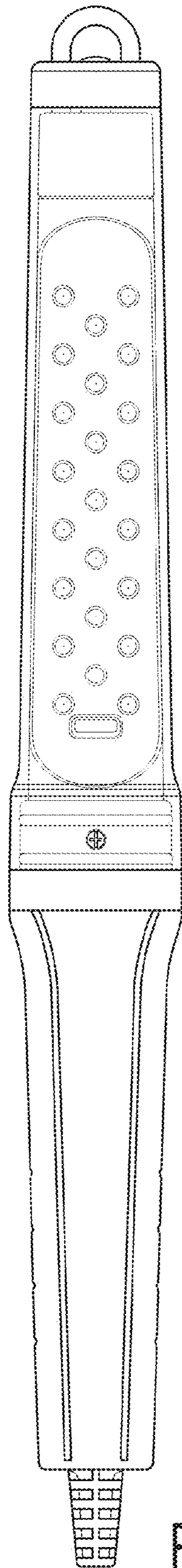


FIG. 2

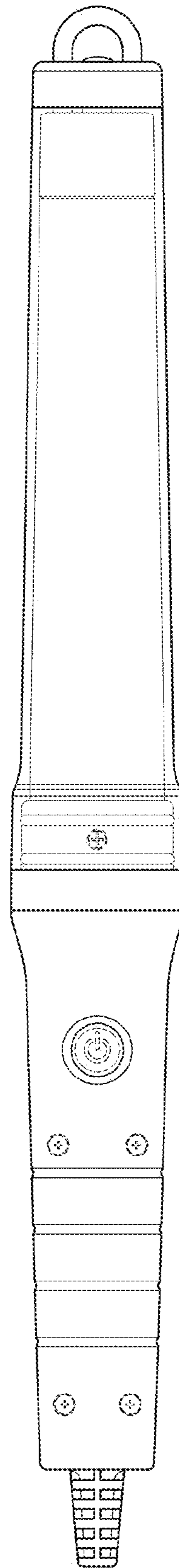


FIG. 3

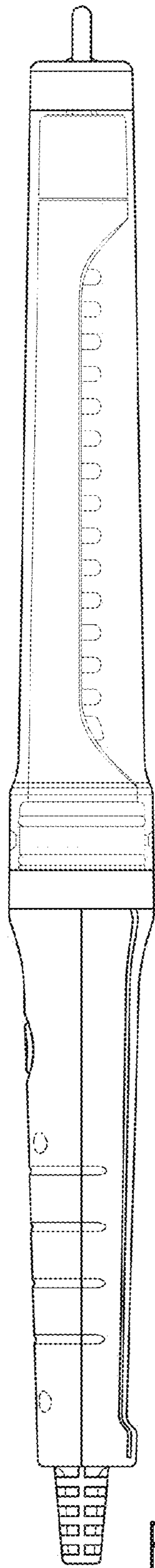


FIG. 4

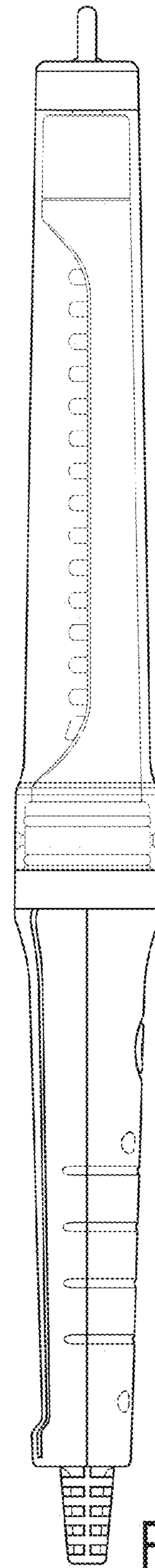


FIG. 5

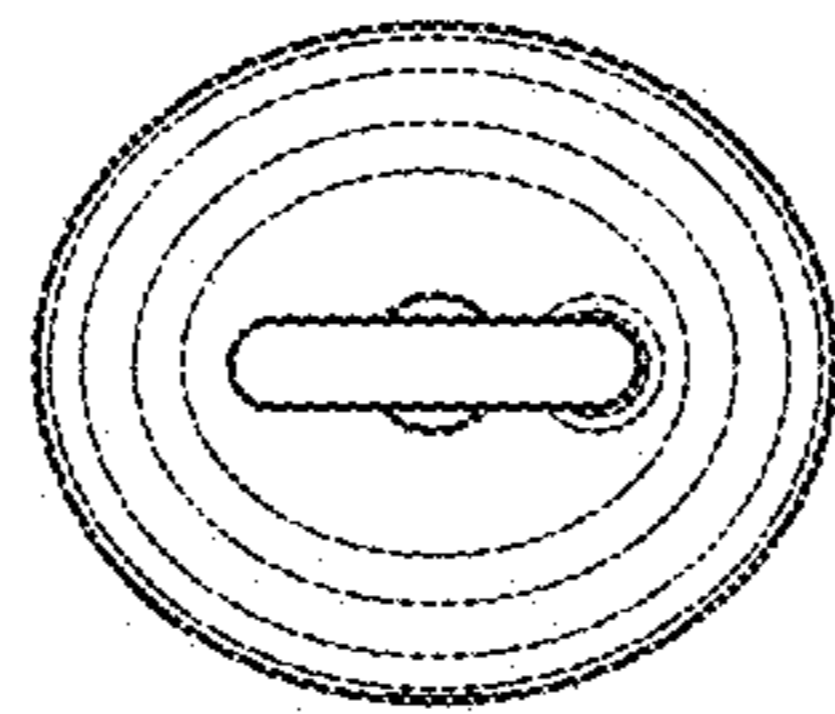


FIG. 6

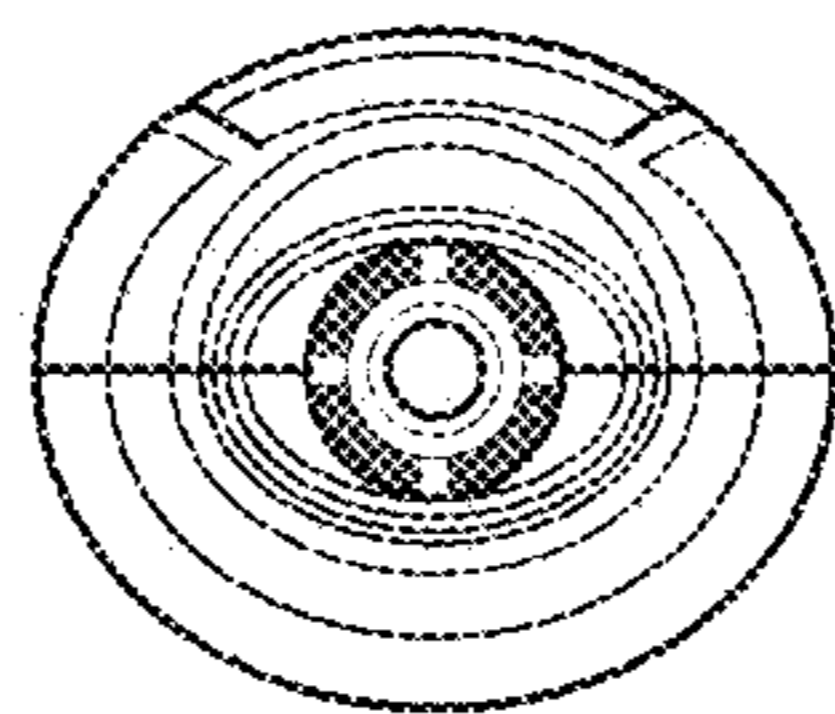


FIG. 7