



US00D694445S

(12) **United States Design Patent**  
**Shiu**

(10) **Patent No.:** **US D694,445 S**

(45) **Date of Patent:** **\*\* Nov. 26, 2013**

(54) **LANTERN**

(74) *Attorney, Agent, or Firm* — Joseph G. Swan, P.C.

(75) **Inventor:** **Stephanie Wai Man Shiu**, New Territories (HK)

(57) **CLAIM**

The ornamental design for a lantern, as shown and described.

(73) **Assignee:** **Gold Coral International Limited**, Kowloon (HK)

(\*\*) **Term:** **14 Years**

**DESCRIPTION**

(21) **Appl. No.:** **29/430,851**

FIG. 1 is a perspective view of a lantern according to the present invention, with the top portion extended up.

(22) **Filed:** **Aug. 30, 2012**

FIG. 2 is a front elevational view of the lantern, with the top portion extended up.

(30) **Foreign Application Priority Data**

FIG. 3 is a rear elevational view of the lantern, with the top portion extended up.

Mar. 23, 2012 (HK) ..... 1200527.2

FIG. 4 is a right side elevational view of the lantern, with the top portion extended up.

(51) **LOC (9) Cl.** ..... **26-02**

FIG. 5 is a left side elevational view of the lantern, with the top portion extended up.

(52) **U.S. Cl.**  
USPC ..... **D26/40**

FIG. 6 is a top plan view of the lantern, with the top portion extended up.

(58) **Field of Classification Search**

FIG. 7 is a bottom plan view of the lantern, with the top portion extended up.

USPC ..... D26/37, 38, 40, 41, 42; 362/157, 158,  
362/171–174, 183, 184, 194–196, 200–208,  
362/253

FIG. 8 is a perspective view of a lantern according to the present invention, with the top portion in the lowered position.

See application file for complete search history.

FIG. 9 is a front elevational view of the lantern, with the top portion in the lowered position.

(56) **References Cited**

**U.S. PATENT DOCUMENTS**

D296,009 S *	5/1988	Witusik et al.	.....	D26/41
D374,099 S *	9/1996	Bamber	.....	D26/41
D439,689 S *	3/2001	Yuen	.....	D26/42
D451,221 S *	11/2001	Poon	.....	D26/42
D541,961 S *	5/2007	Tarter et al.	.....	D26/40
D570,510 S *	6/2008	DeBrunner	.....	D26/40
D581,076 S *	11/2008	Brown et al.	.....	D26/40
D638,152 S *	5/2011	Leung	.....	D26/40
D643,560 S *	8/2011	Tompkin	.....	D26/40
D656,648 S *	3/2012	Tompkin	.....	D26/46

\* cited by examiner

FIG. 10 is a rear elevational view of the lantern, with the top portion in the lowered position.

*Primary Examiner* — Stella Reid

*Assistant Examiner* — Carissa C Fitts

FIG. 11 is a right side elevational view of the lantern, with the top portion in the lowered position.

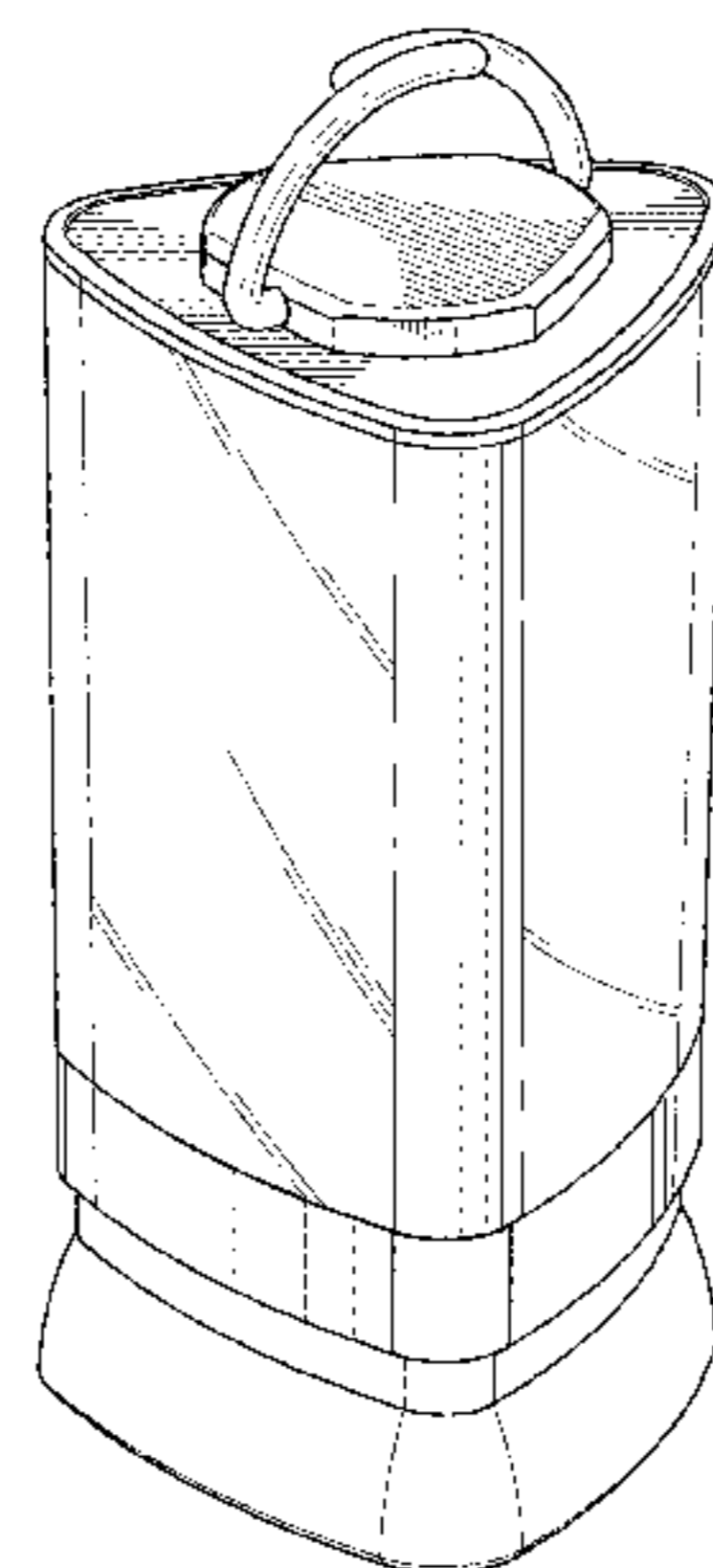
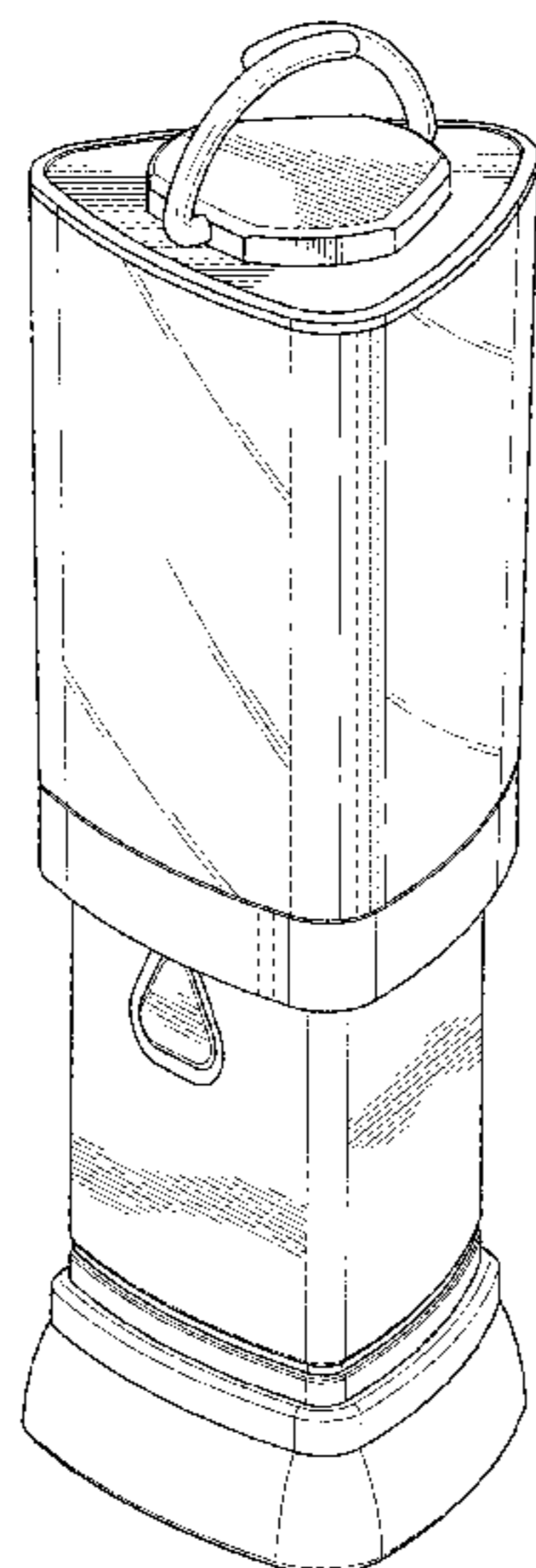
FIG. 12 is a left side elevational view of the lantern, with the top portion in the lowered position.

FIG. 13 is a top plan view of the lantern, with the top portion in the lowered position; and,

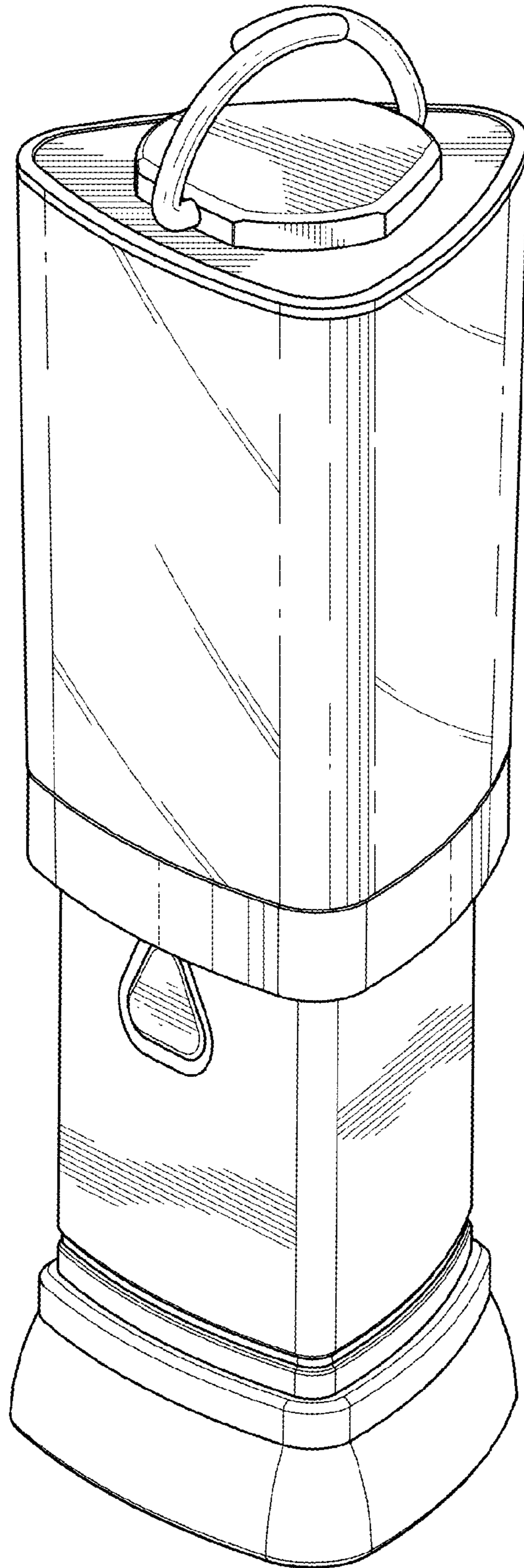
FIG. 14 is a bottom plan view of the Lantern, with the top portion in the lowered position.

The broken line showing is for environmental purposes only and forms no part of the claimed design.

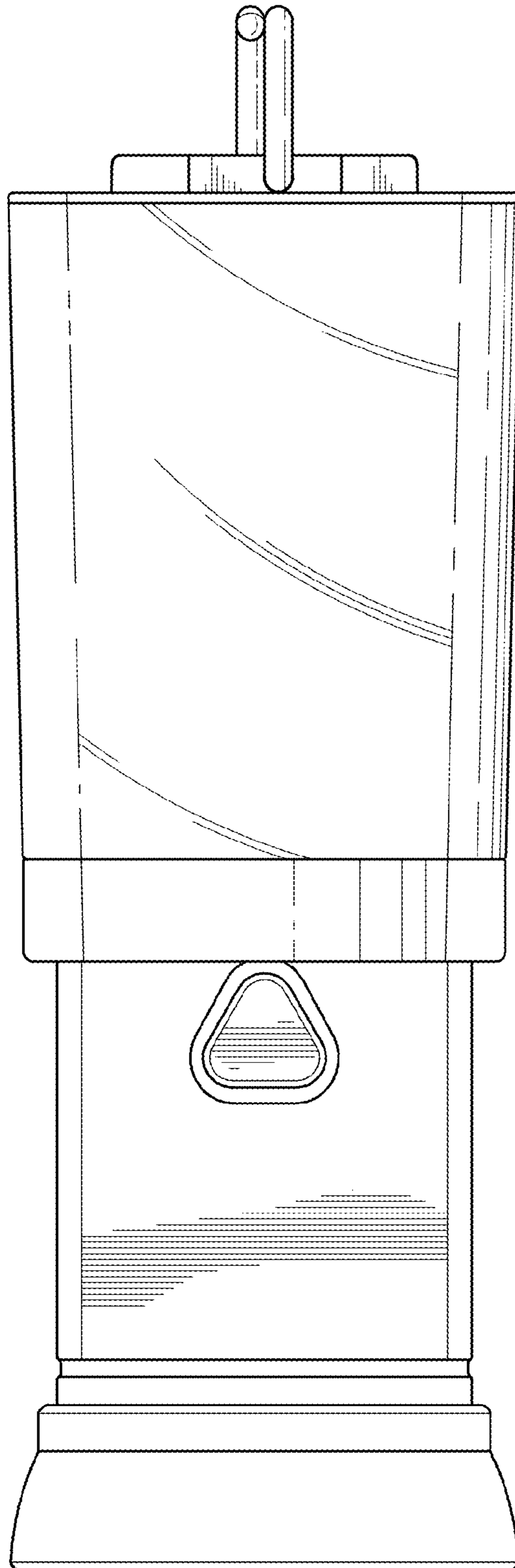
**1 Claim, 10 Drawing Sheets**



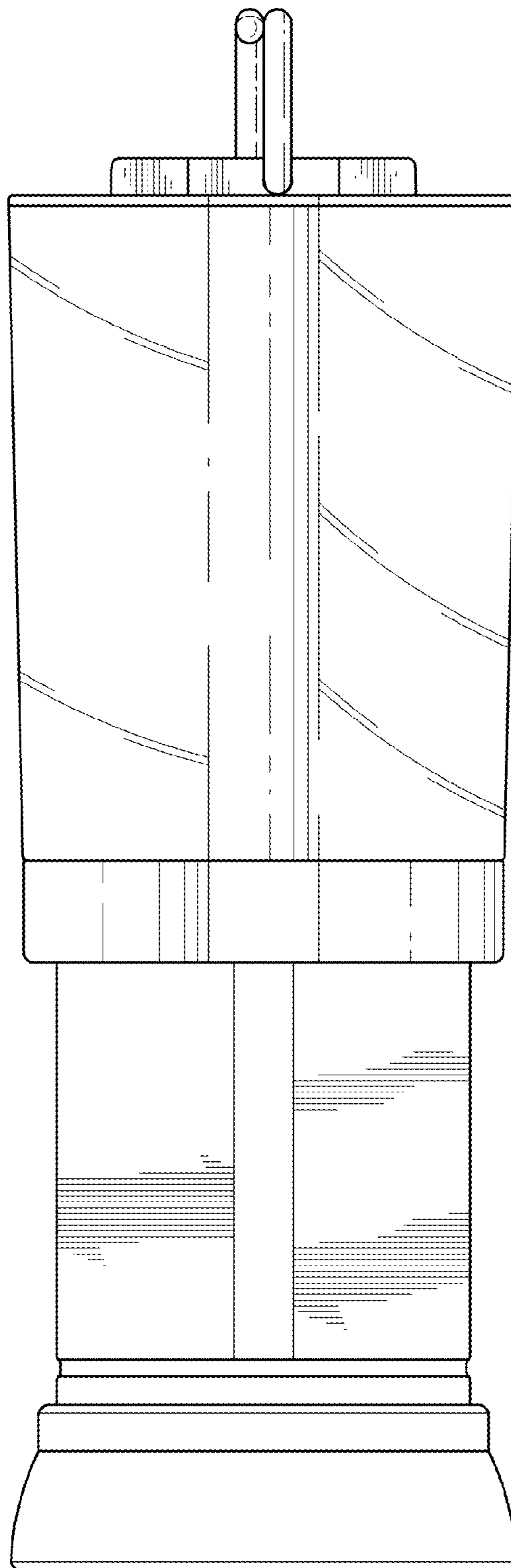
*FIG. 1*



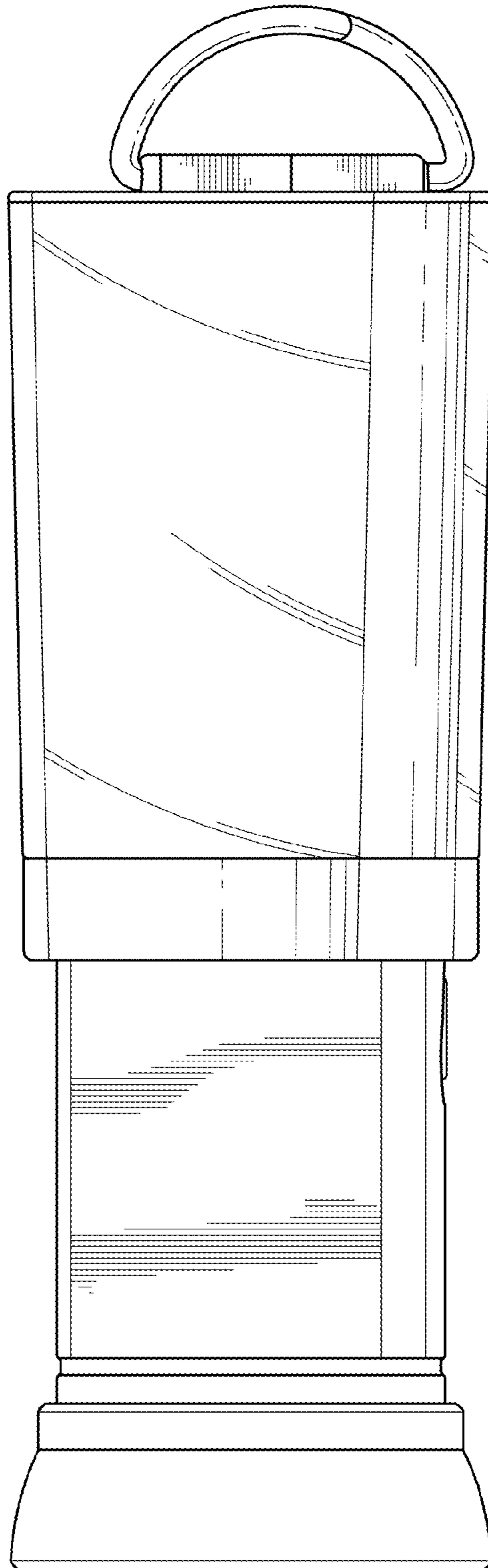
*FIG. 2*



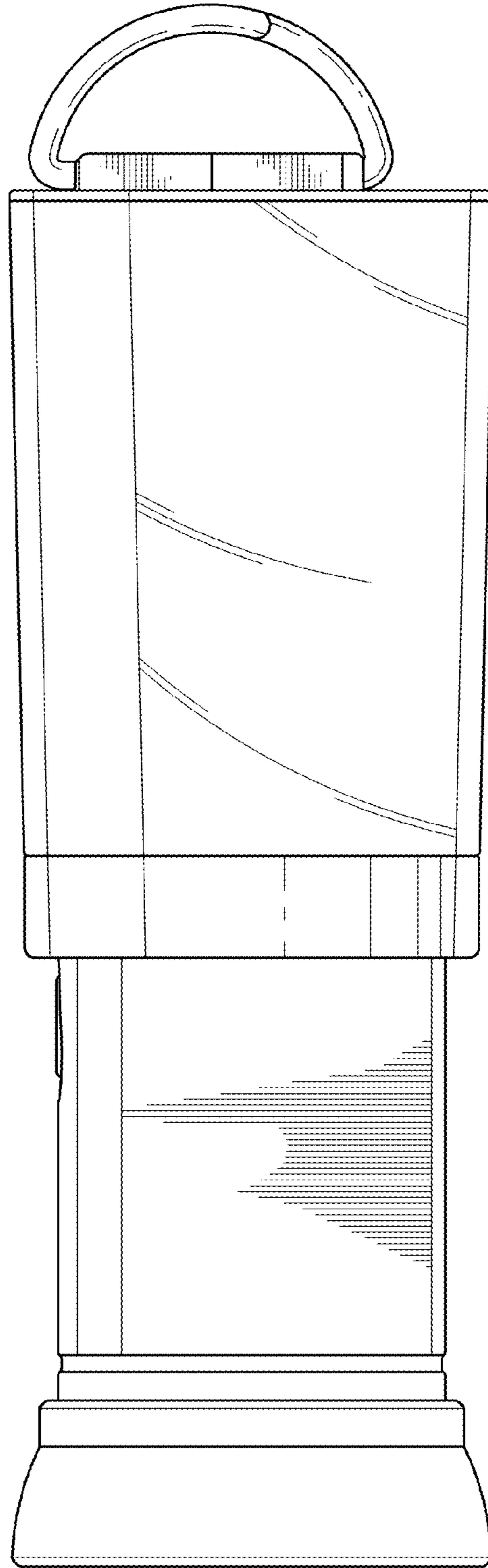
*FIG. 3*

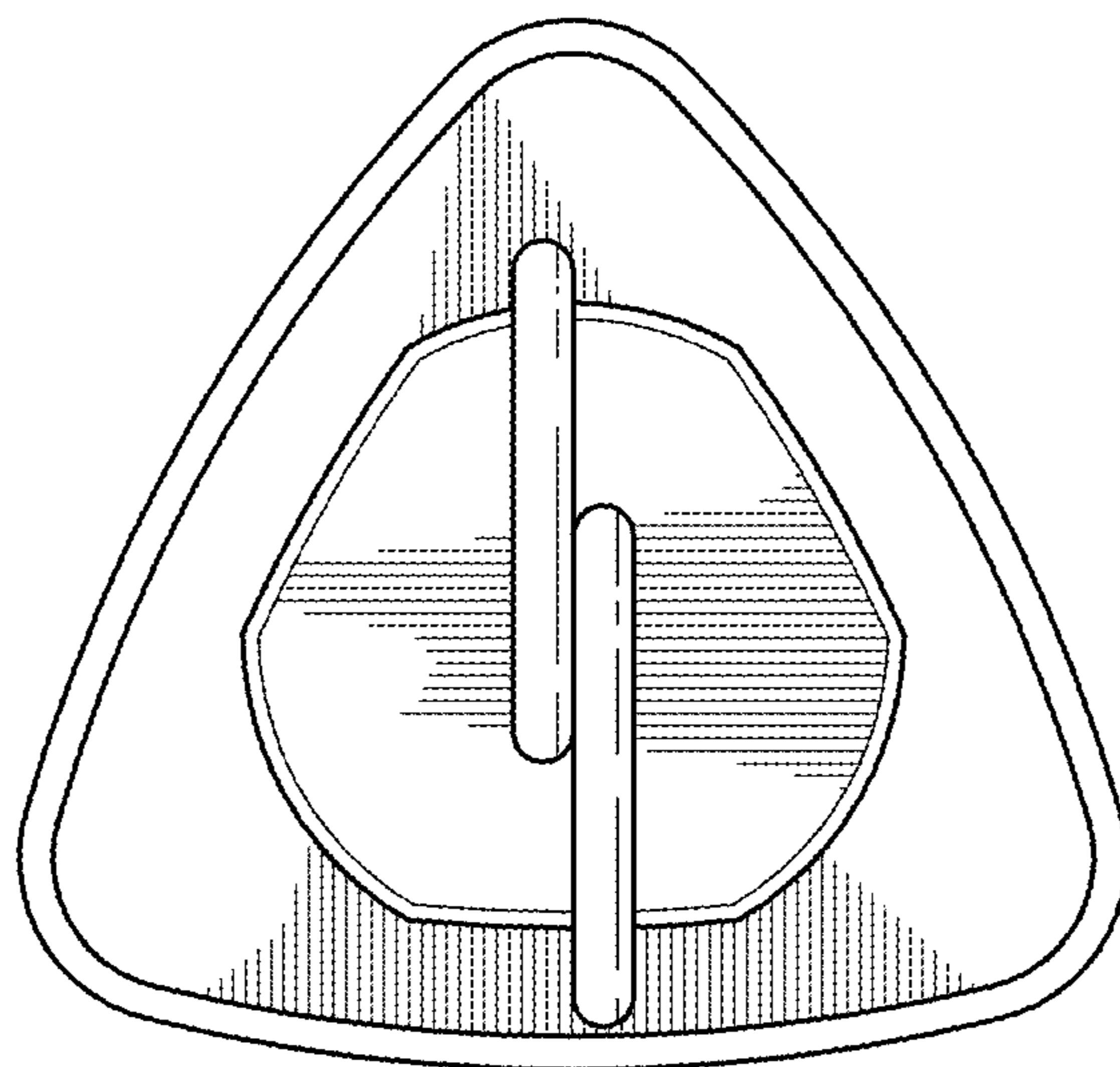


*FIG. 4*

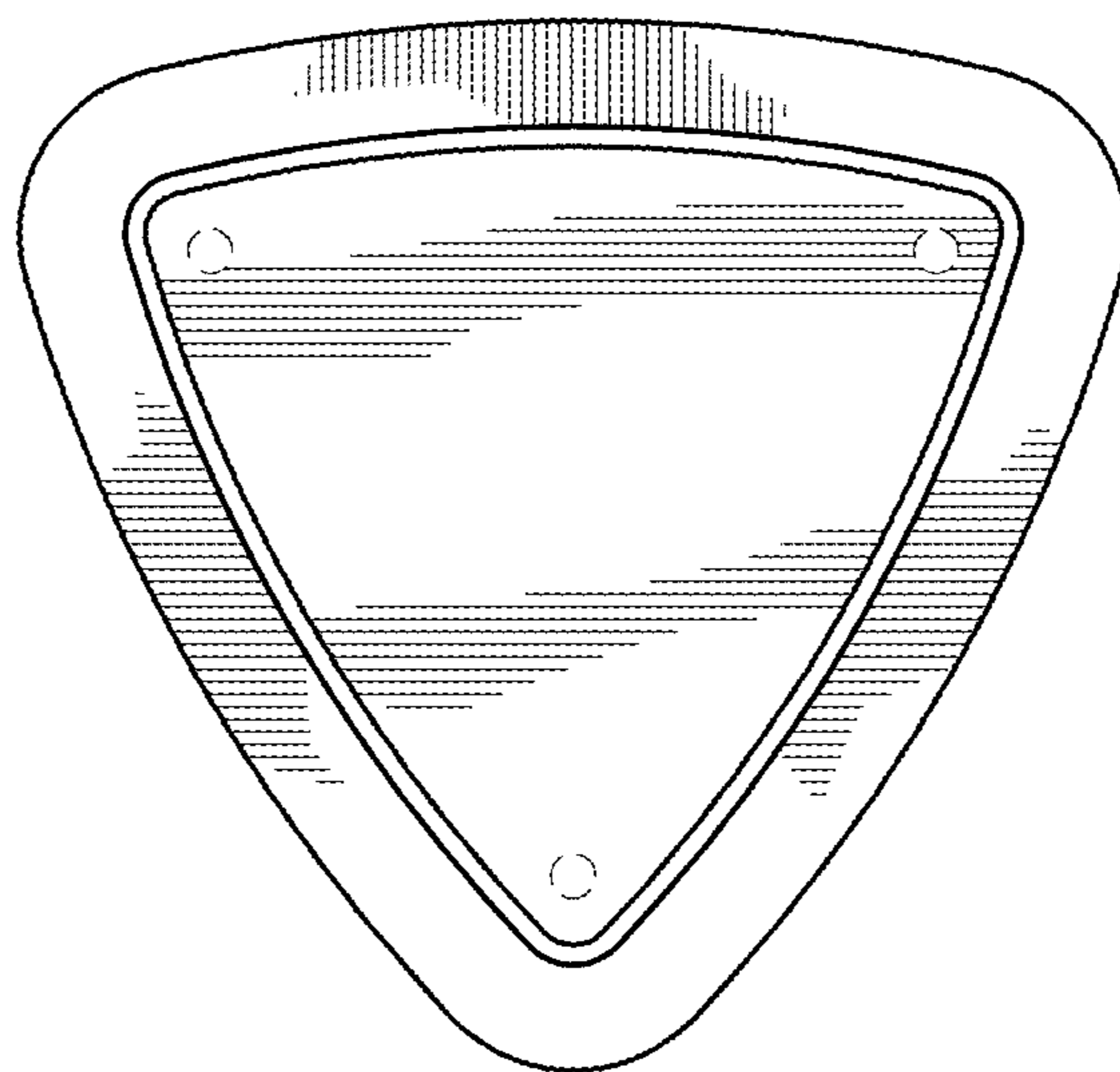


*FIG. 5*



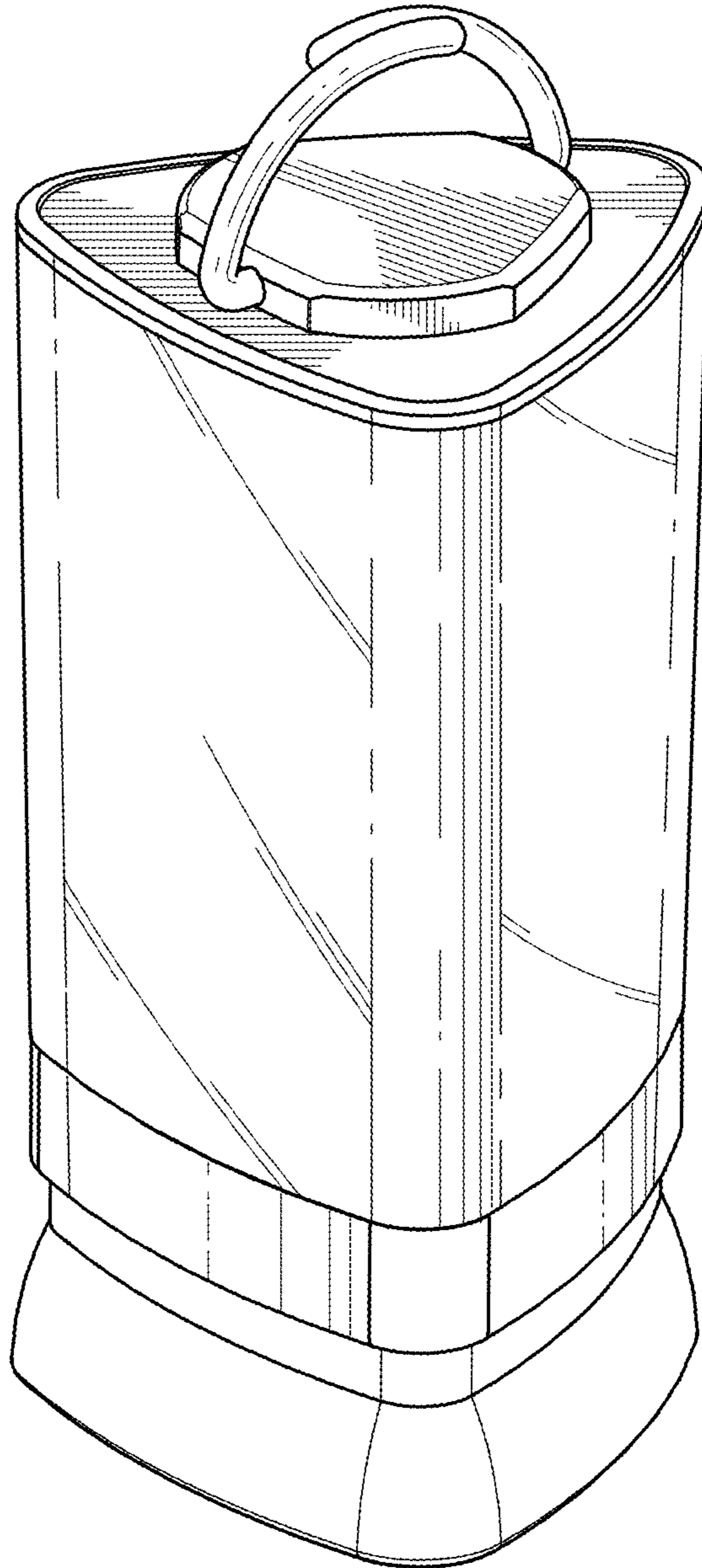


*FIG. 6*



*FIG. 7*

*FIG. 8*





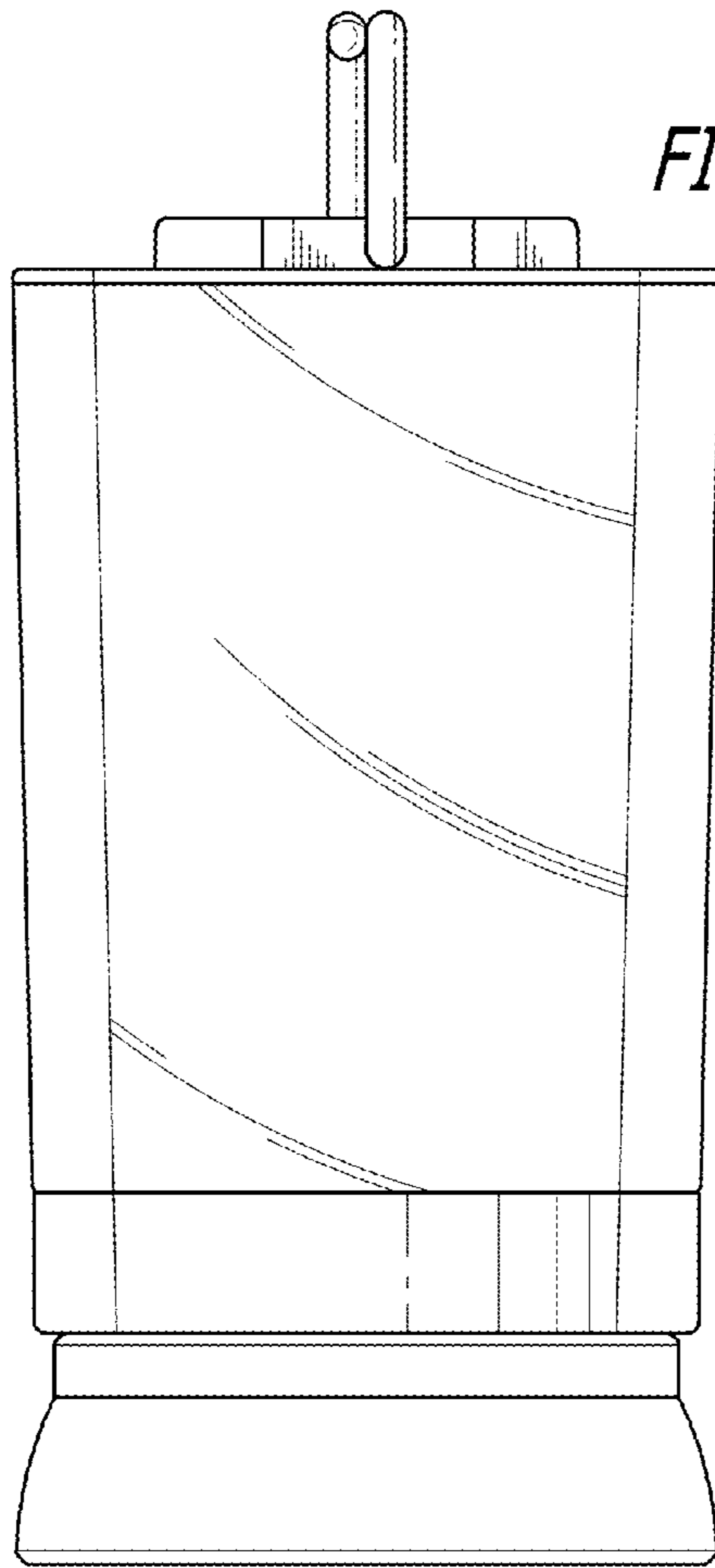


FIG. 9

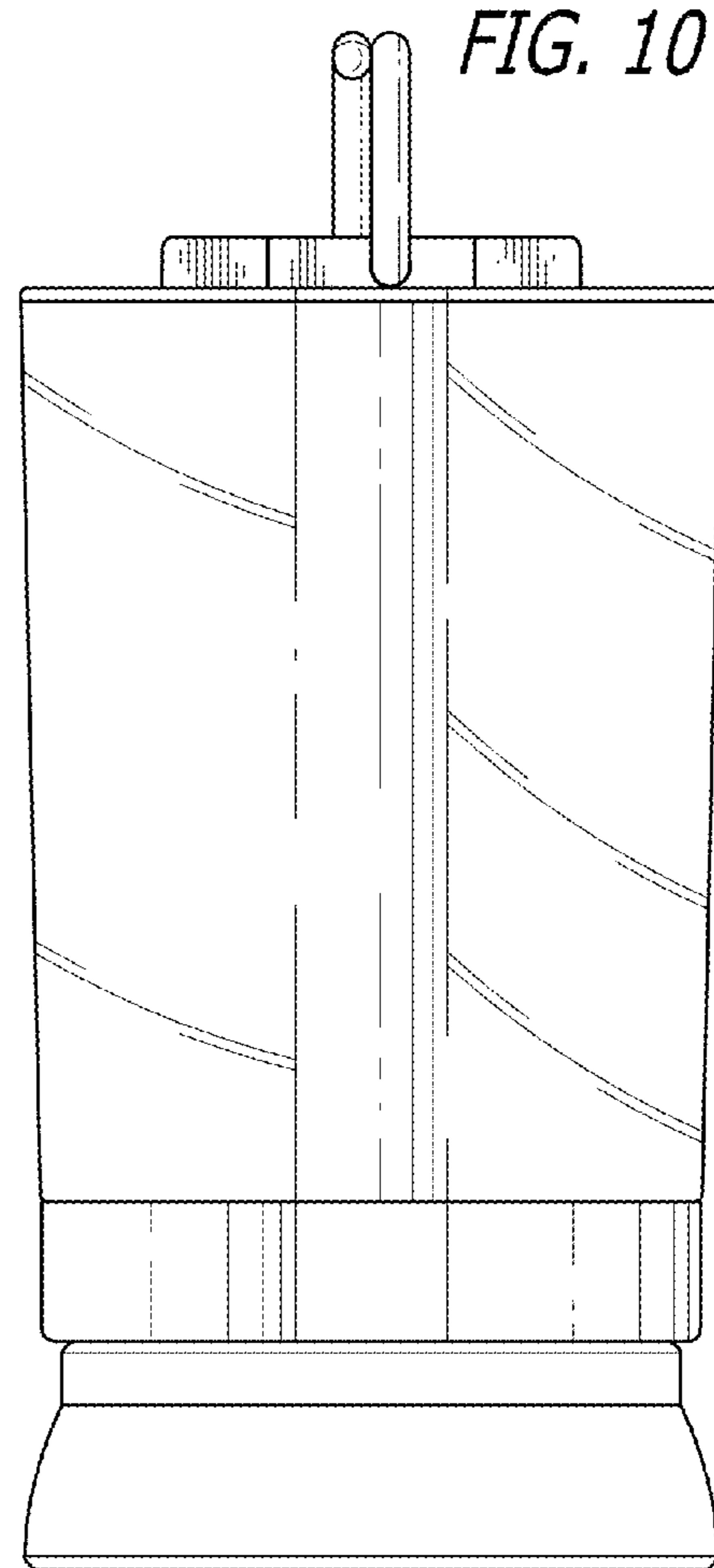
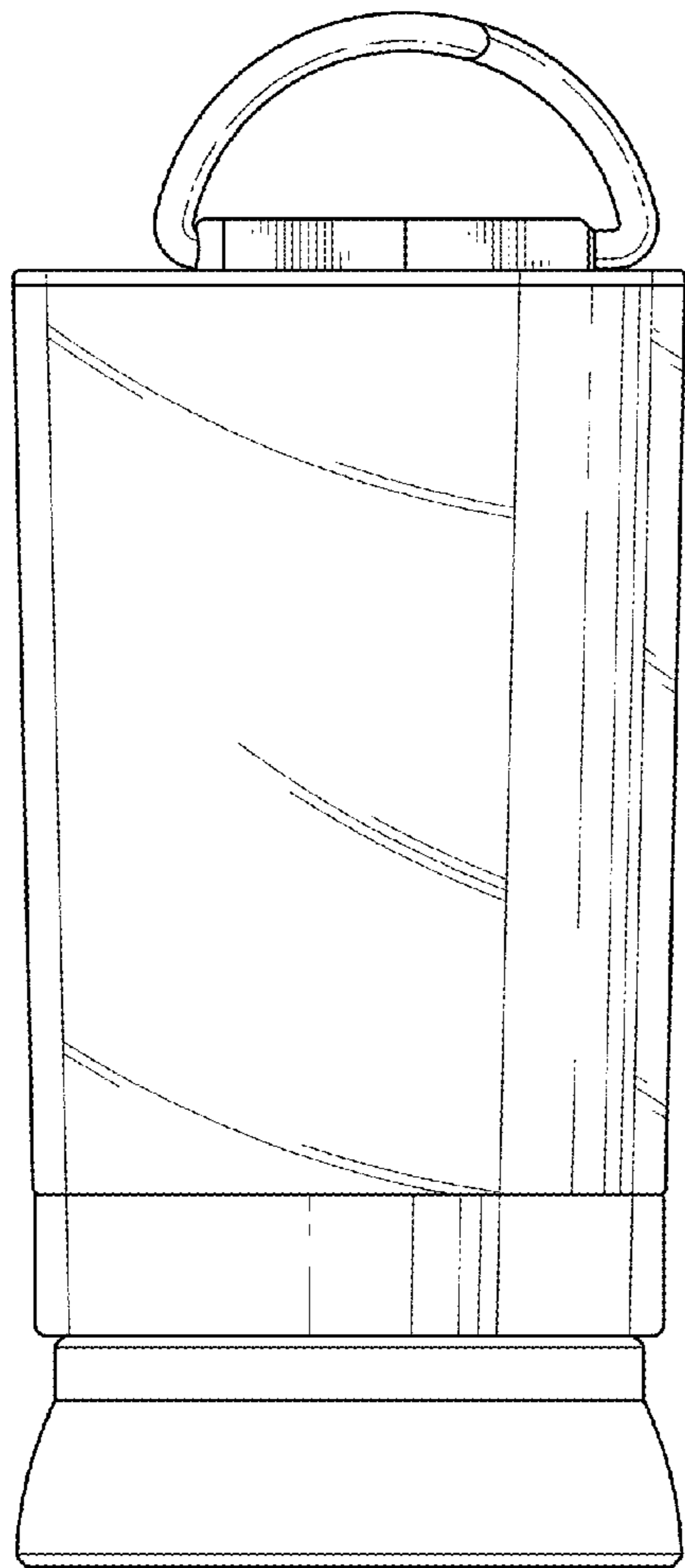
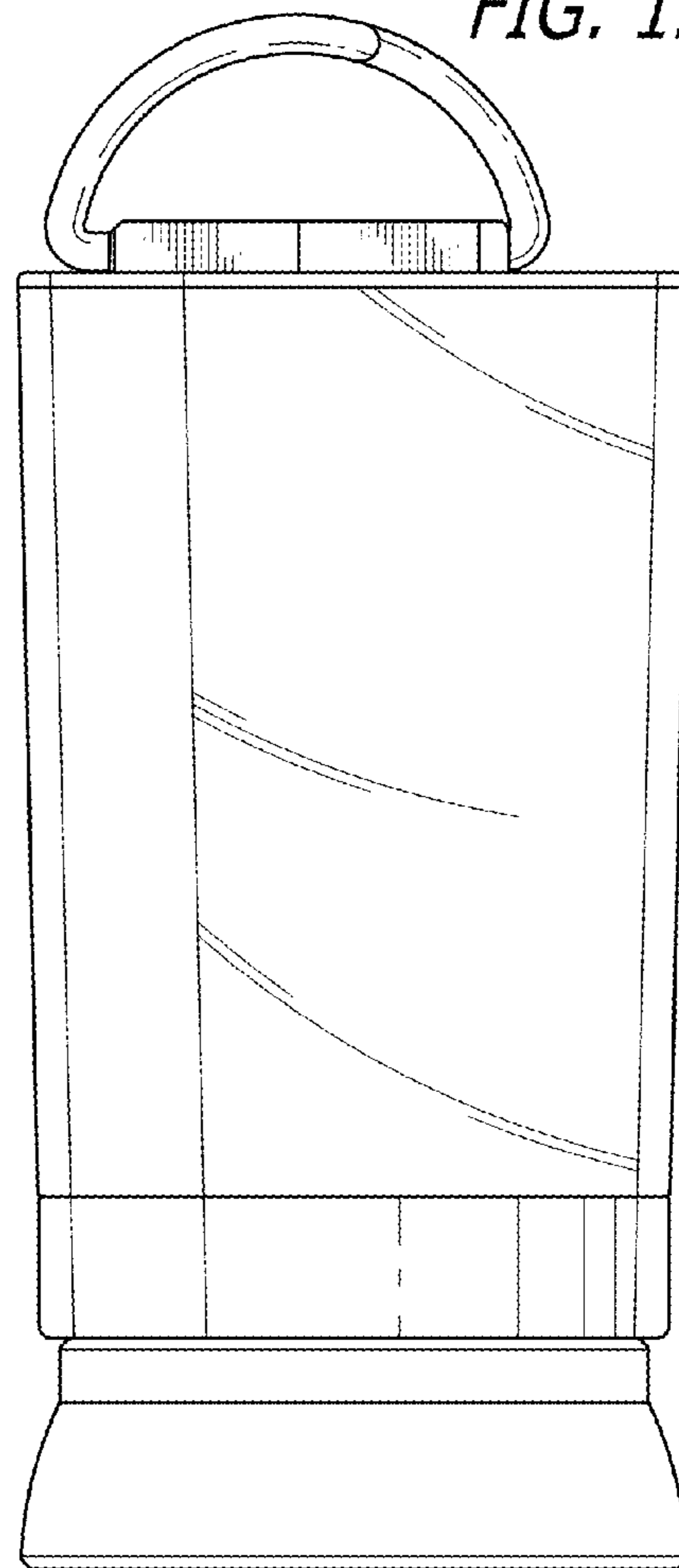


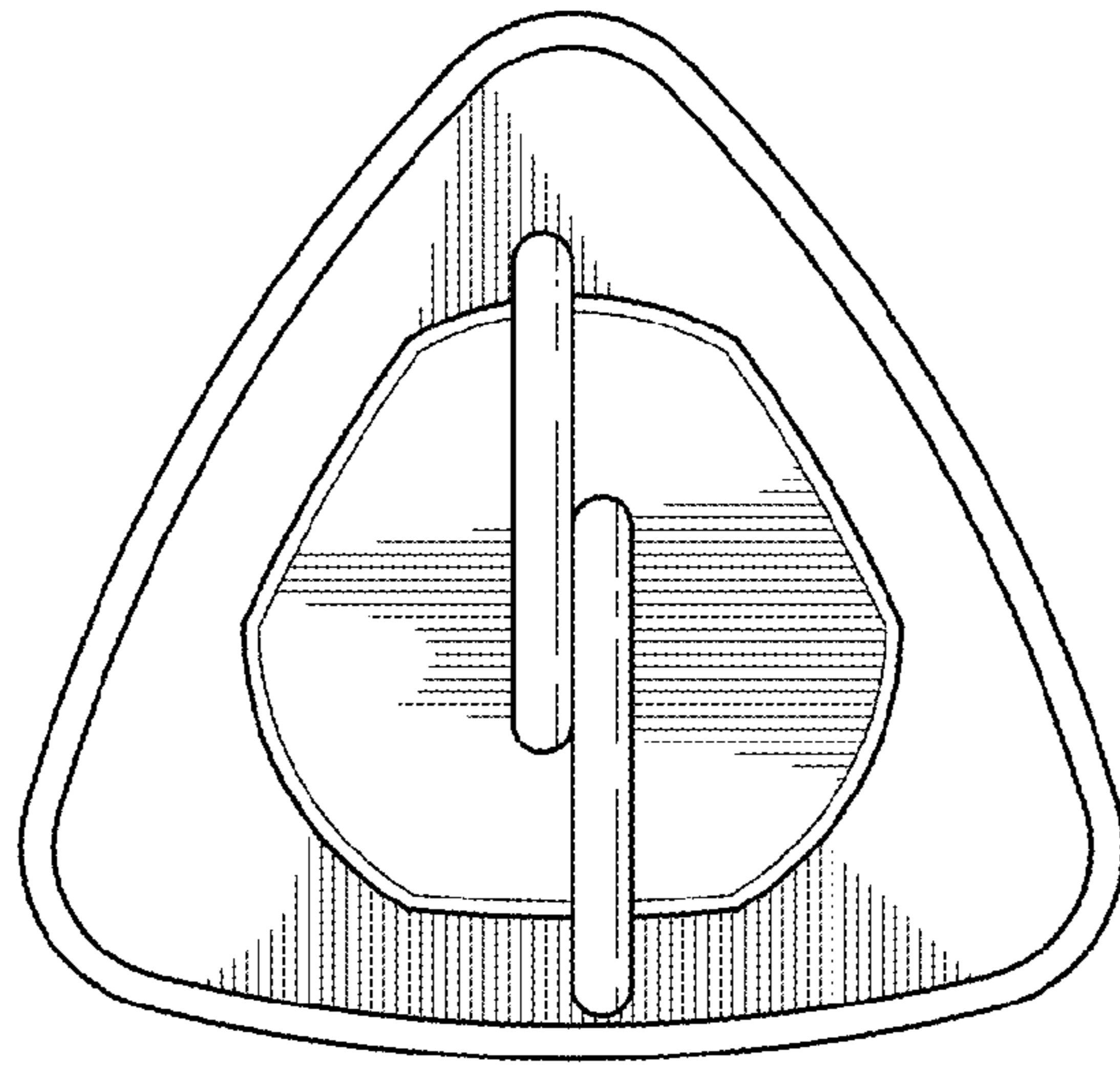
FIG. 10



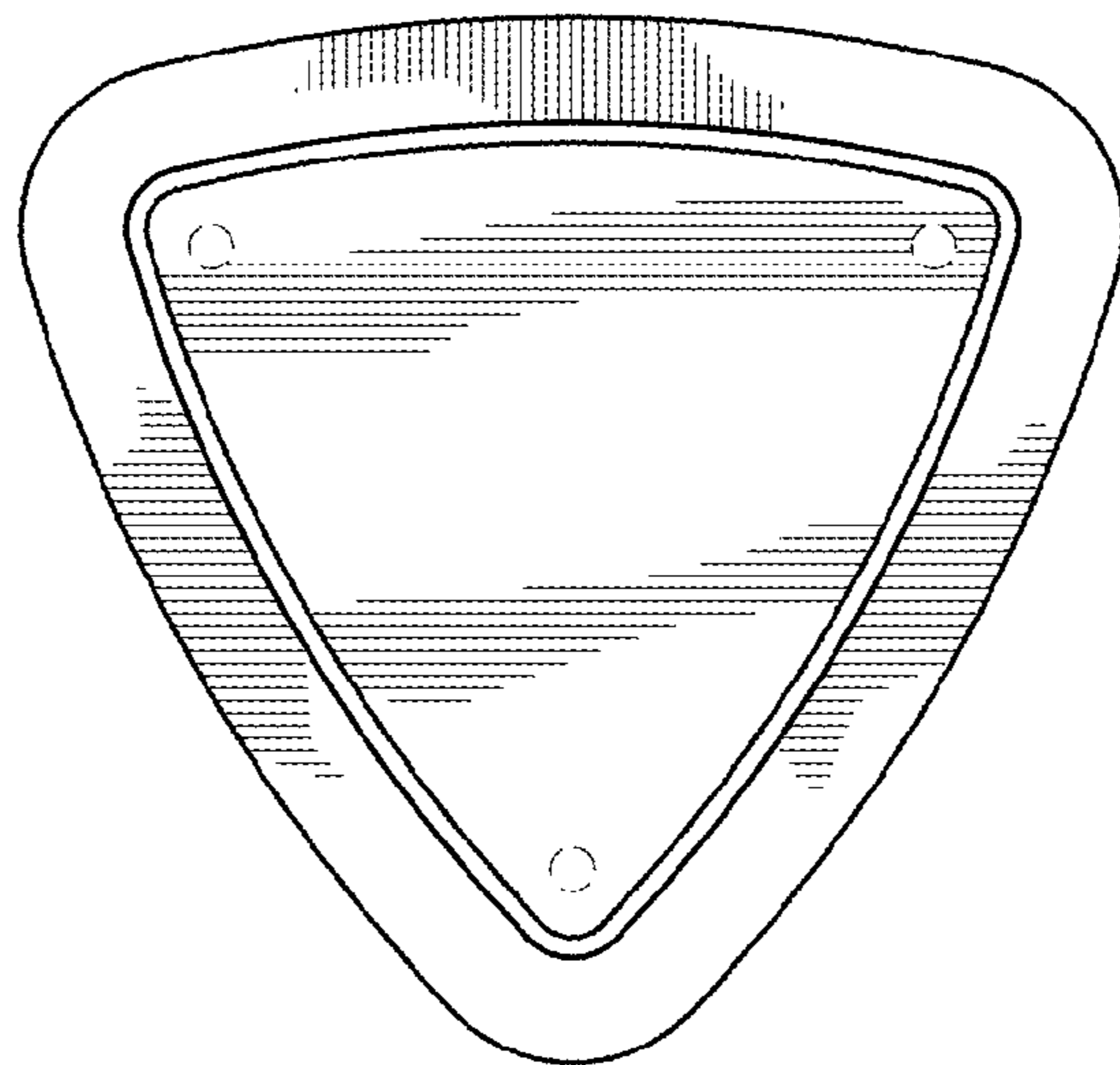
*FIG. 11*



*FIG. 12*



*FIG. 13*



*FIG. 14*