



US00D694444S

(12) **United States Design Patent**  
**Poon**

(10) **Patent No.:** **US D694,444 S**

(45) **Date of Patent:** **\*\* Nov. 26, 2013**

(54) **LANTERN**

(75) **Inventor:** **Tit Wing Poon**, New Territories (CN)

(73) **Assignee:** **Flying Dragon Development Limited**,  
New Territories (HK)

(\*\*) **Term:** **14 Years**

(21) **Appl. No.:** **29/427,092**

(22) **Filed:** **Jul. 13, 2012**

(51) **LOC (9) Cl.** ..... **26-02**

(52) **U.S. Cl.**  
USPC ..... **D26/40**

(58) **Field of Classification Search**  
USPC ..... D26/37, 38, 40, 41, 42; 362/157, 158,  
362/171-174, 183, 184, 194-196, 200-208,  
362/253  
See application file for complete search history.

(56) **References Cited**

**U.S. PATENT DOCUMENTS**

- D529,647 S \* 10/2006 Shiu ..... D26/40
- D535,419 S \* 1/2007 Shiu ..... D26/40
- D576,756 S \* 9/2008 DeBrunner ..... D26/40

- D610,283 S \* 2/2010 Loibl ..... D26/40
- D612,084 S \* 3/2010 Hillard ..... D26/40
- D627,089 S \* 11/2010 Loibl ..... D26/40
- D628,325 S \* 11/2010 Houghton ..... D26/41
- D638,152 S \* 5/2011 Leung ..... D26/40
- D650,104 S \* 12/2011 Brands et al. .... D26/41
- D658,324 S \* 4/2012 Reimann et al. .... D26/40
- 2010/0039801 A1 \* 2/2010 Pelletier et al. .... 362/184

\* cited by examiner

*Primary Examiner* — Stella Reid

*Assistant Examiner* — Carissa C Fitts

(74) *Attorney, Agent, or Firm* — Rabin & Berdo, P.C.

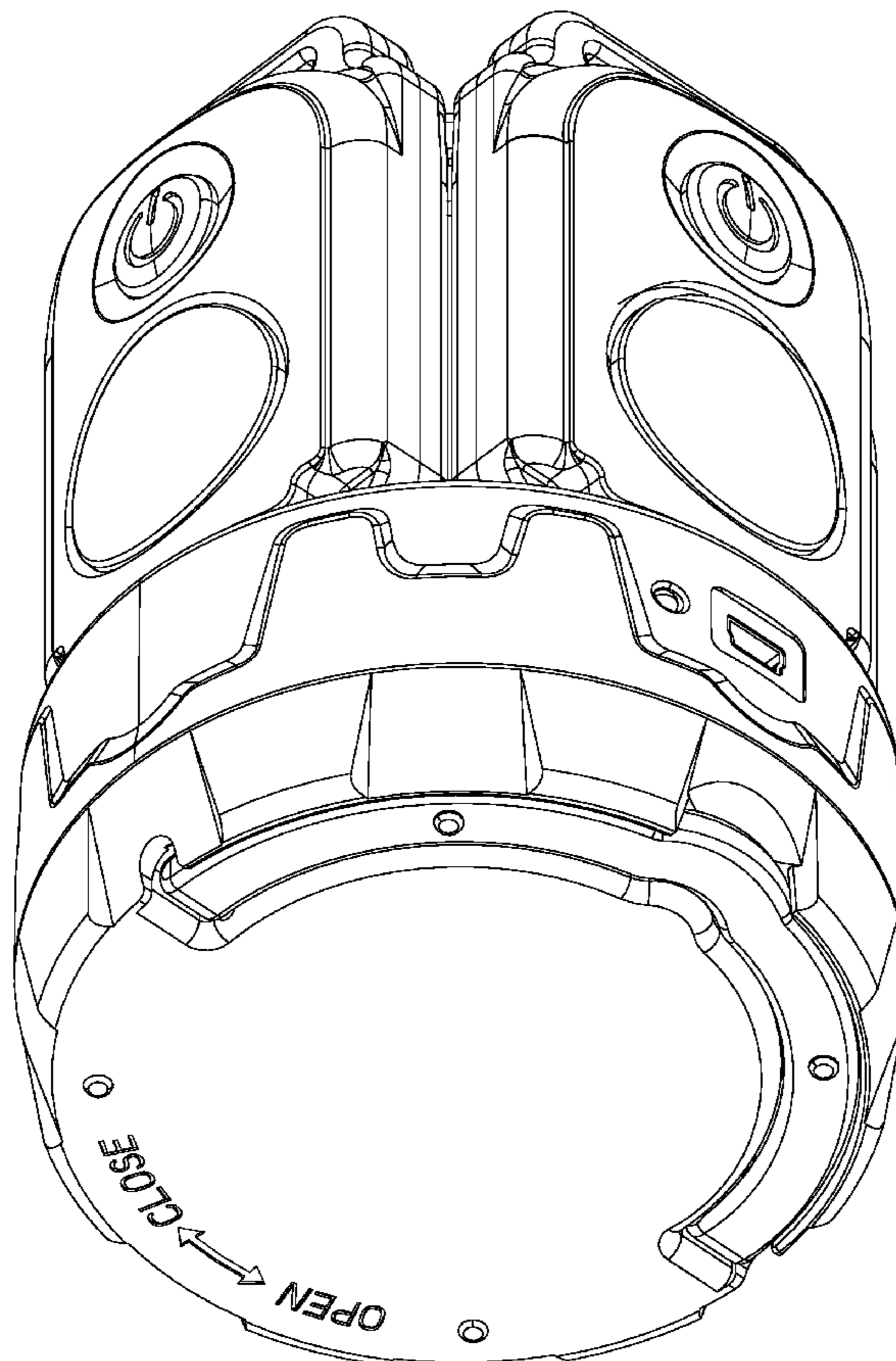
(57) **CLAIM**

The ornamental design for a lantern, as shown and described.

**DESCRIPTION**

FIG. 1 is a front view of a lantern showing my new design;  
 FIG. 2 is a rear view thereof;  
 FIG. 3 is a left side view thereof;  
 FIG. 4 is a right side view thereof;  
 FIG. 5 is a top plan view thereof;  
 FIG. 6 is a bottom plan view thereof;  
 FIG. 7 is a top-front perspective view thereof;  
 FIG. 8 is a bottom-rear perspective view thereof; and,  
 FIG. 9 is a perspective view with handle opened.

**1 Claim, 9 Drawing Sheets**



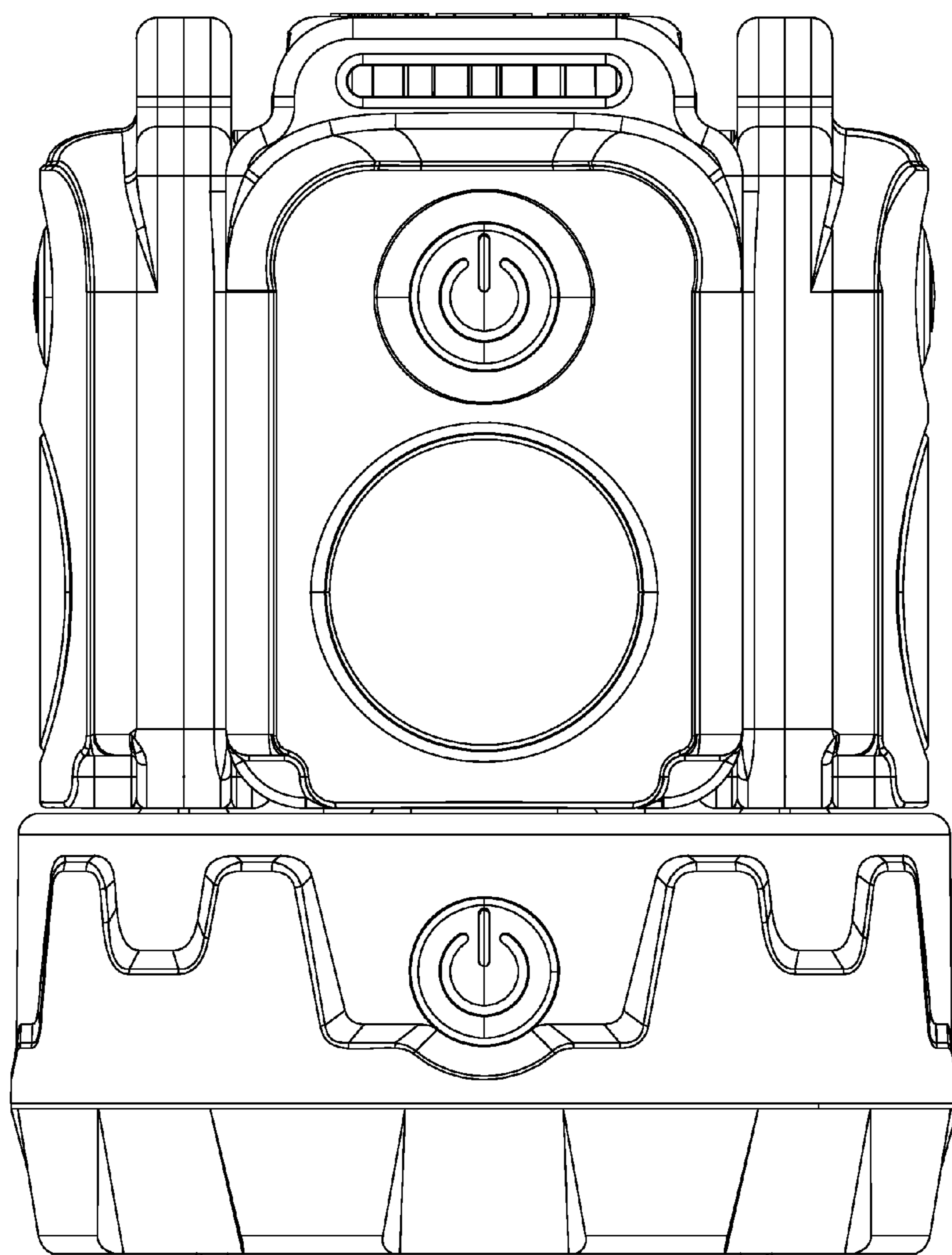


FIG. 1

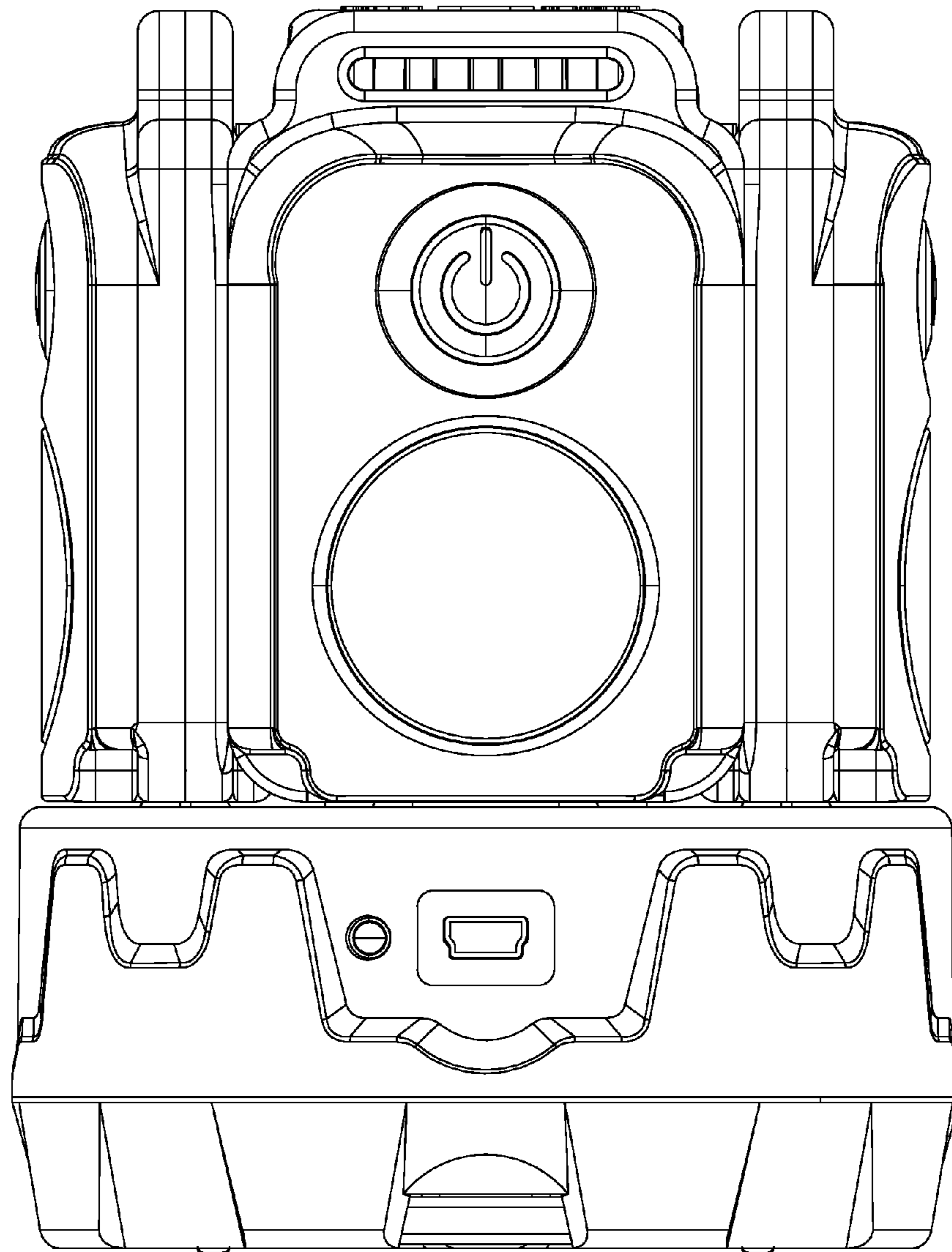


FIG. 2

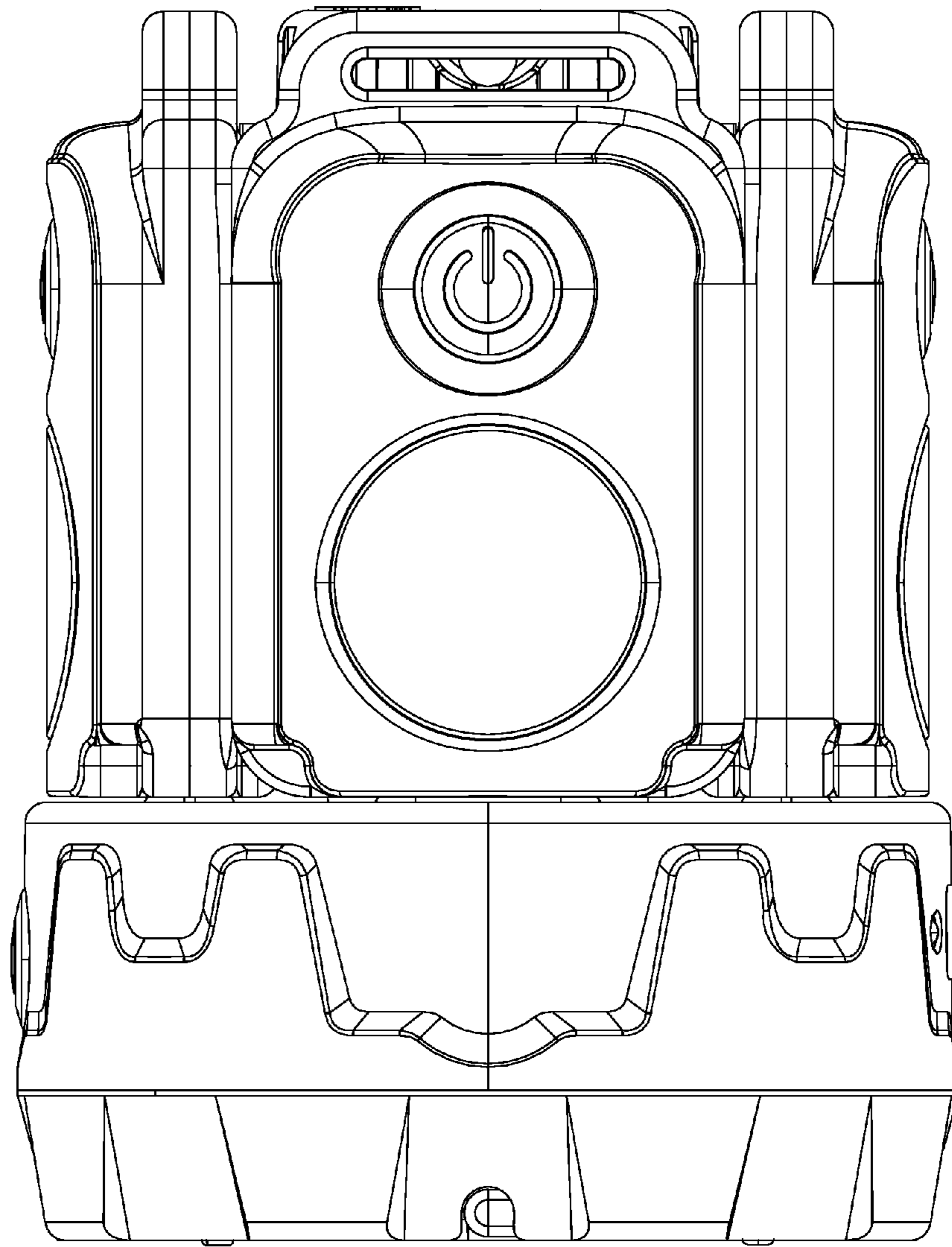


FIG. 3

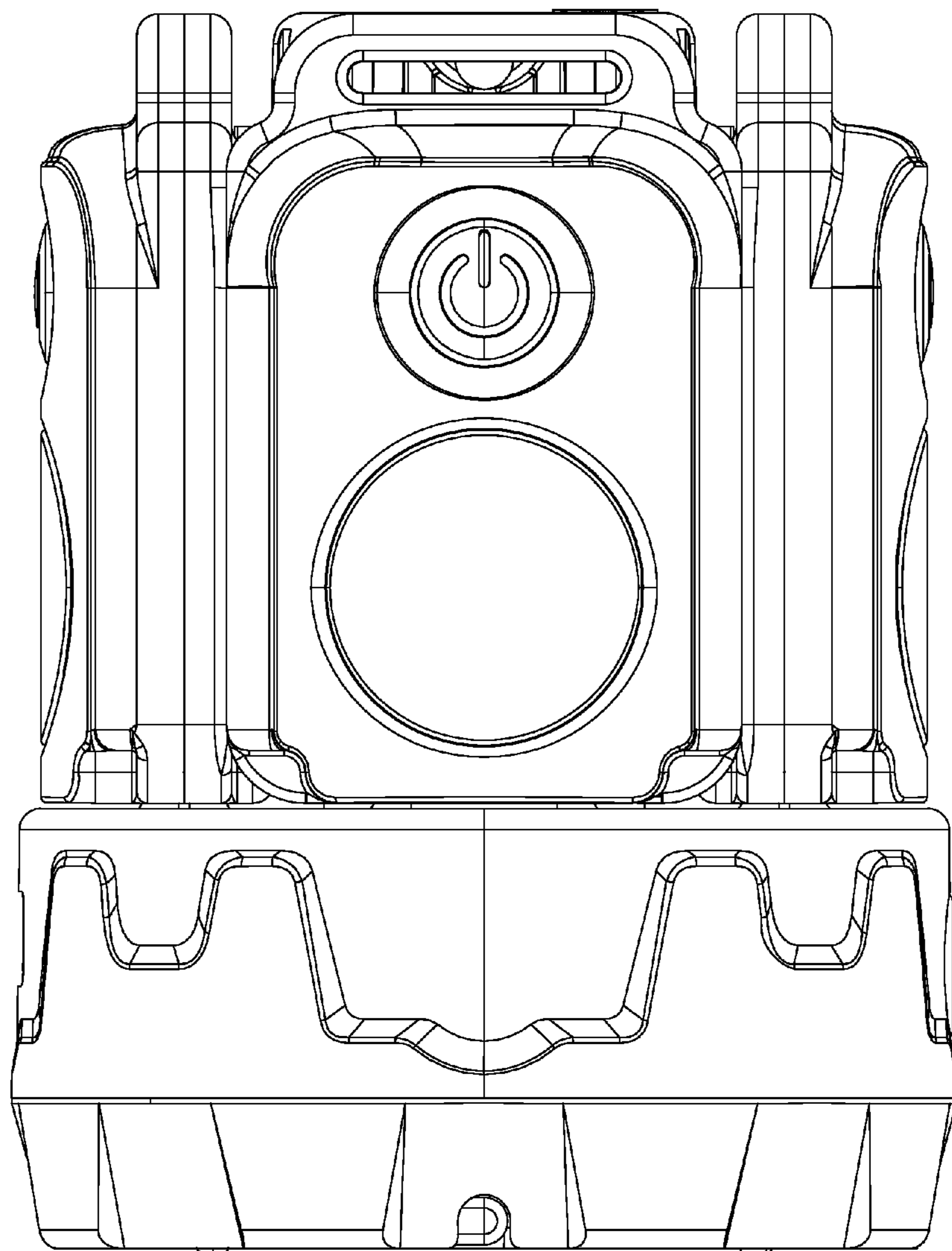


FIG. 4

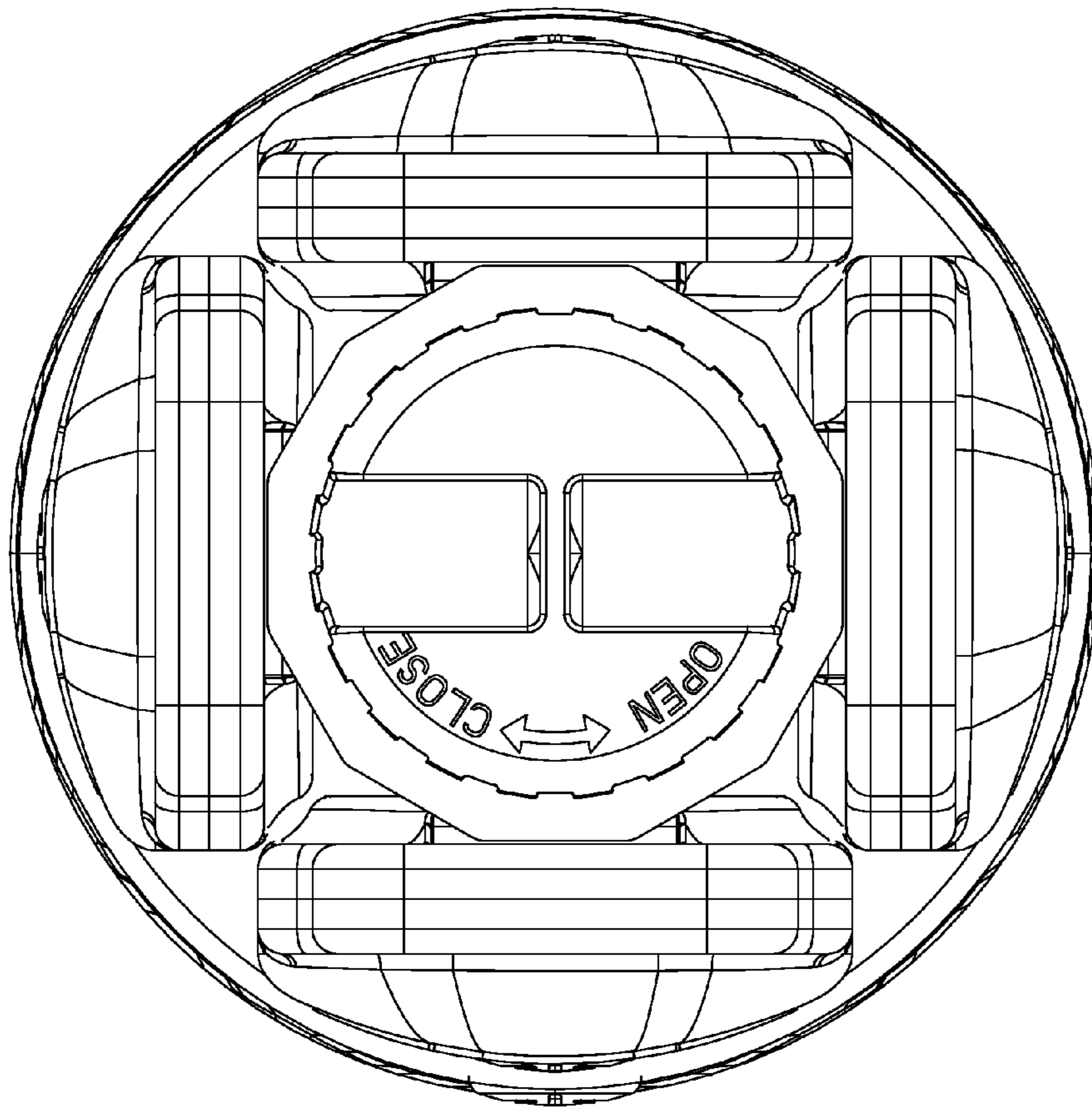


FIG. 5

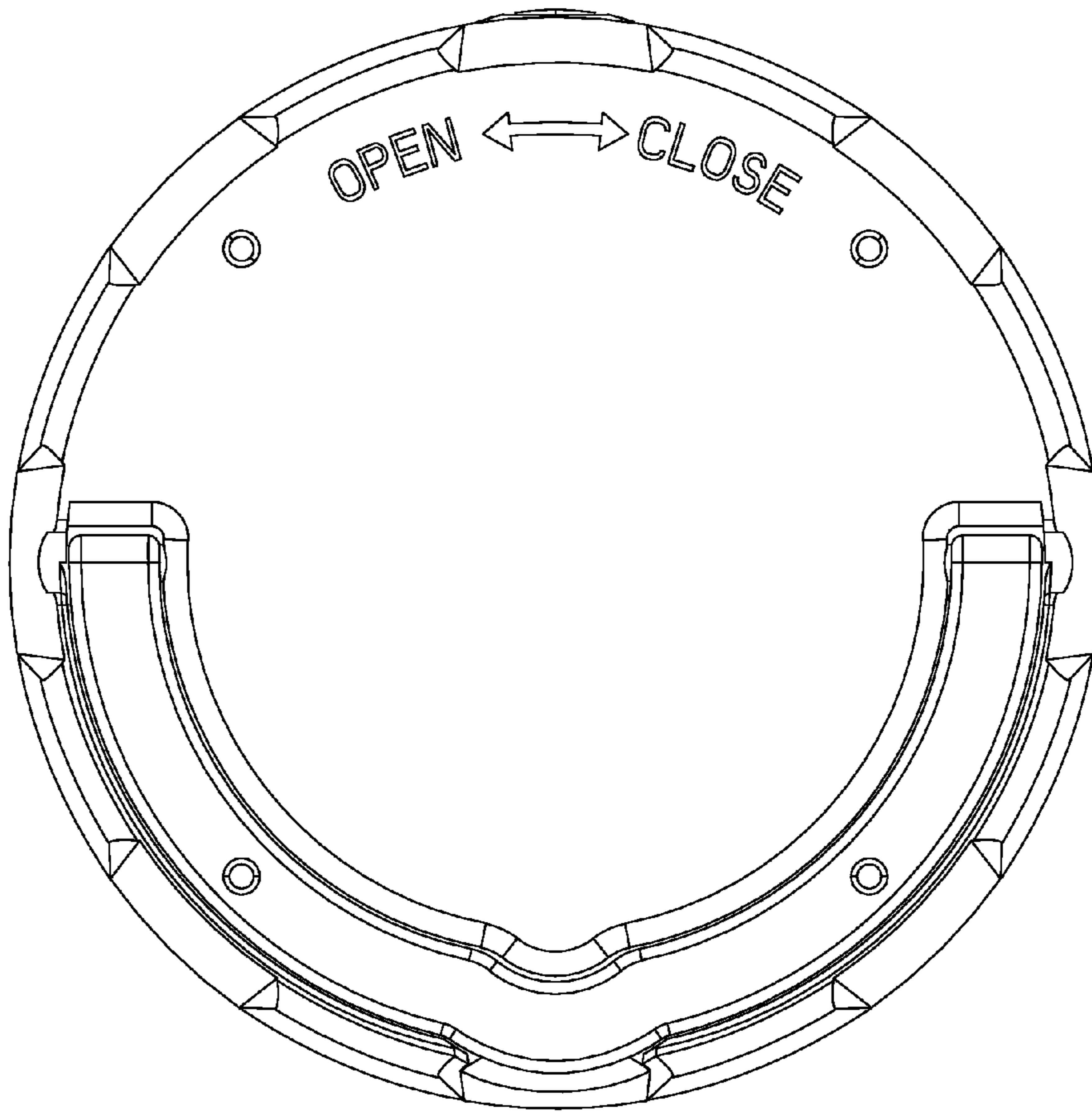


FIG. 6

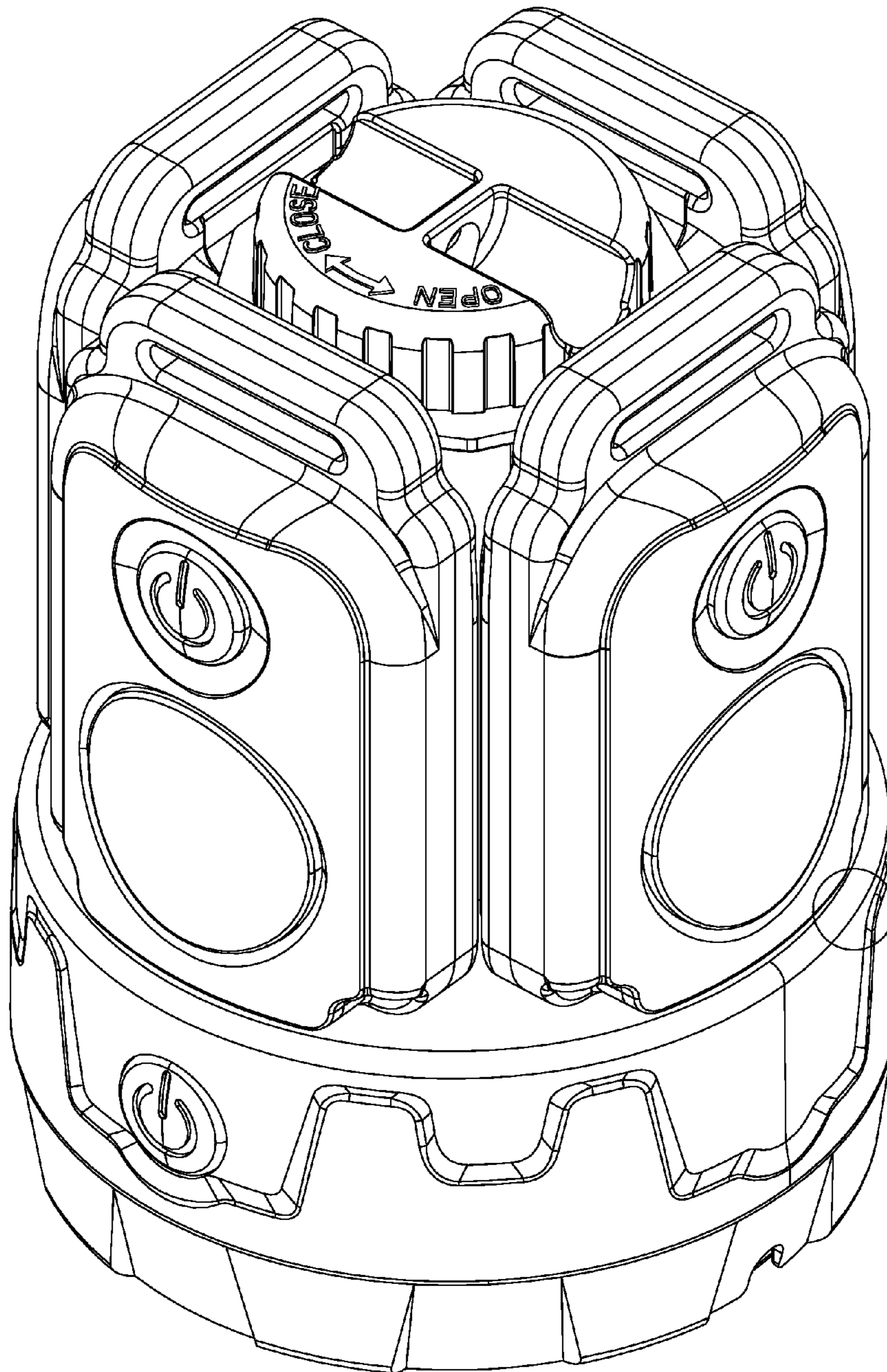


FIG. 7



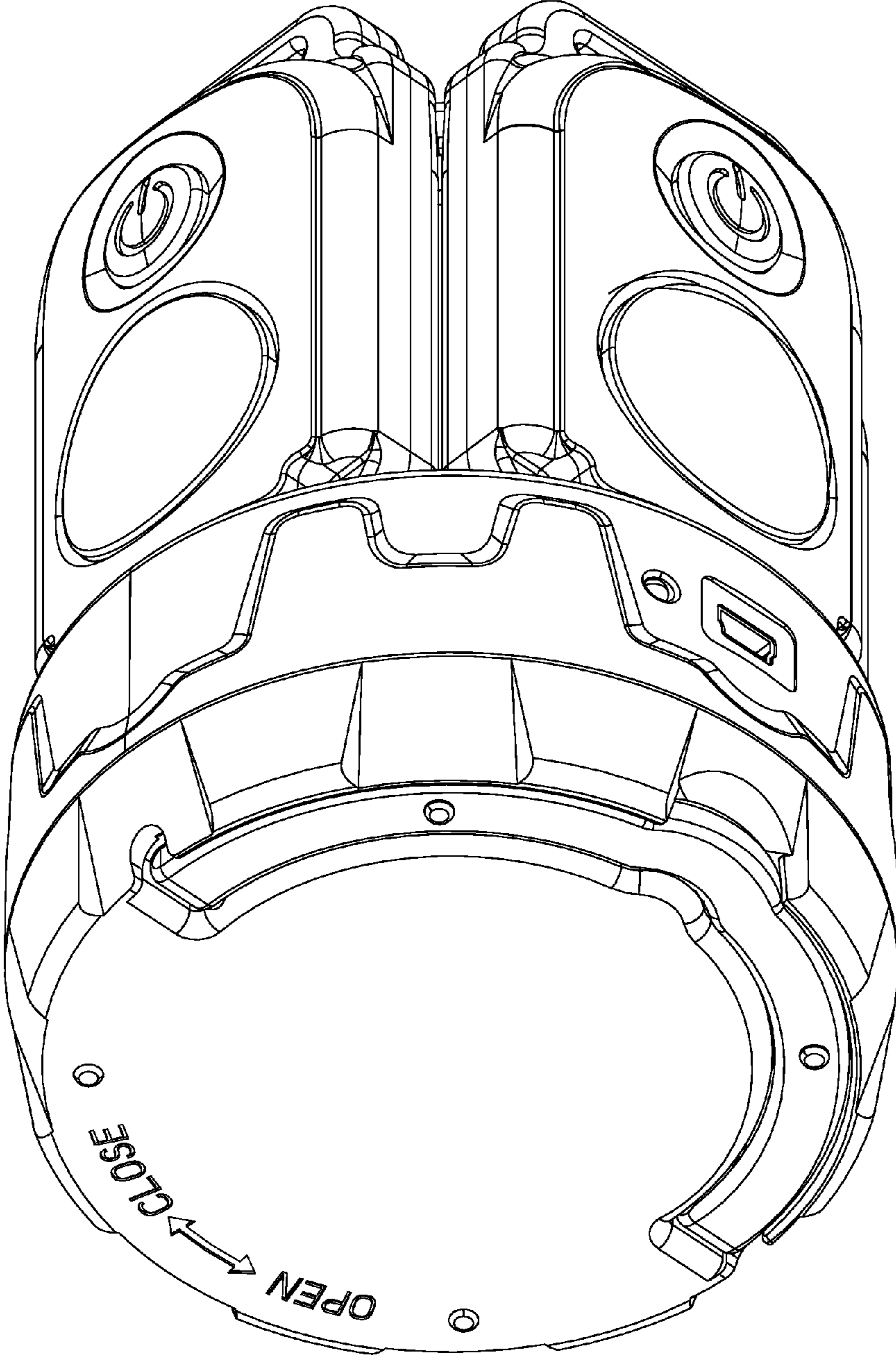


FIG. 8

FIG. 9

