



US00D694443S

(12) **United States Design Patent**
Mackay

(10) **Patent No.:** **US D694,443 S**

(45) **Date of Patent:** **** Nov. 26, 2013**

(54) **VEHICLE HEAD LAMP**

(71) Applicant: **GM Global Technology Operations LLC**, Detroit, MI (US)

(72) Inventor: **Brendon C. Mackay**, Shelby Township, MI (US)

(73) Assignee: **GM Global Technology Operations LLC**, Detroit, MI (US)

(**) Term: **14 Years**

(21) Appl. No.: **29/451,018**

(22) Filed: **Mar. 27, 2013**

(51) **LOC (9) Cl.** **26-06**

(52) **U.S. Cl.**
USPC **D26/28**

(58) **Field of Classification Search**
USPC D26/28-36; 362/459-468, 475-478,
362/485-487

See application file for complete search history.

(56) **References Cited**

U.S. PATENT DOCUMENTS

D541,445 S * 4/2007 Lin D26/28
D549,363 S * 8/2007 Pfeiffer D26/28

D550,380 S * 9/2007 Lin D26/28
D552,769 S * 10/2007 Leclercq D26/28
D553,268 S * 10/2007 Pfeiffer D26/28
D553,269 S * 10/2007 Pfeiffer et al. D26/28
D565,211 S * 3/2008 Haller et al. D26/28
D570,015 S * 5/2008 Hsu D26/28
D574,524 S * 8/2008 Tomatsu D26/28
D602,616 S * 10/2009 Okamura et al. D26/28
D605,793 S * 12/2009 Weil D26/28
D620,157 S * 7/2010 Frenzel et al. D26/28

* cited by examiner

Primary Examiner — Marcus Jackson

(74) *Attorney, Agent, or Firm* — Parks IP Law LLC

(57) **CLAIM**

The ornamental design for a vehicle head light, as shown and described.

DESCRIPTION

FIG. 1 is perspective view of a vehicle head lamp showing the new design;

FIG. 2 is a front view, thereof;

FIG. 3 is a side view, thereof; and,

FIG. 4 is a top plan view, thereof.

In the figures, features shown by broken lines are for illustrative purposes only and form no part of the claimed design.

1 Claim, 1 Drawing Sheet

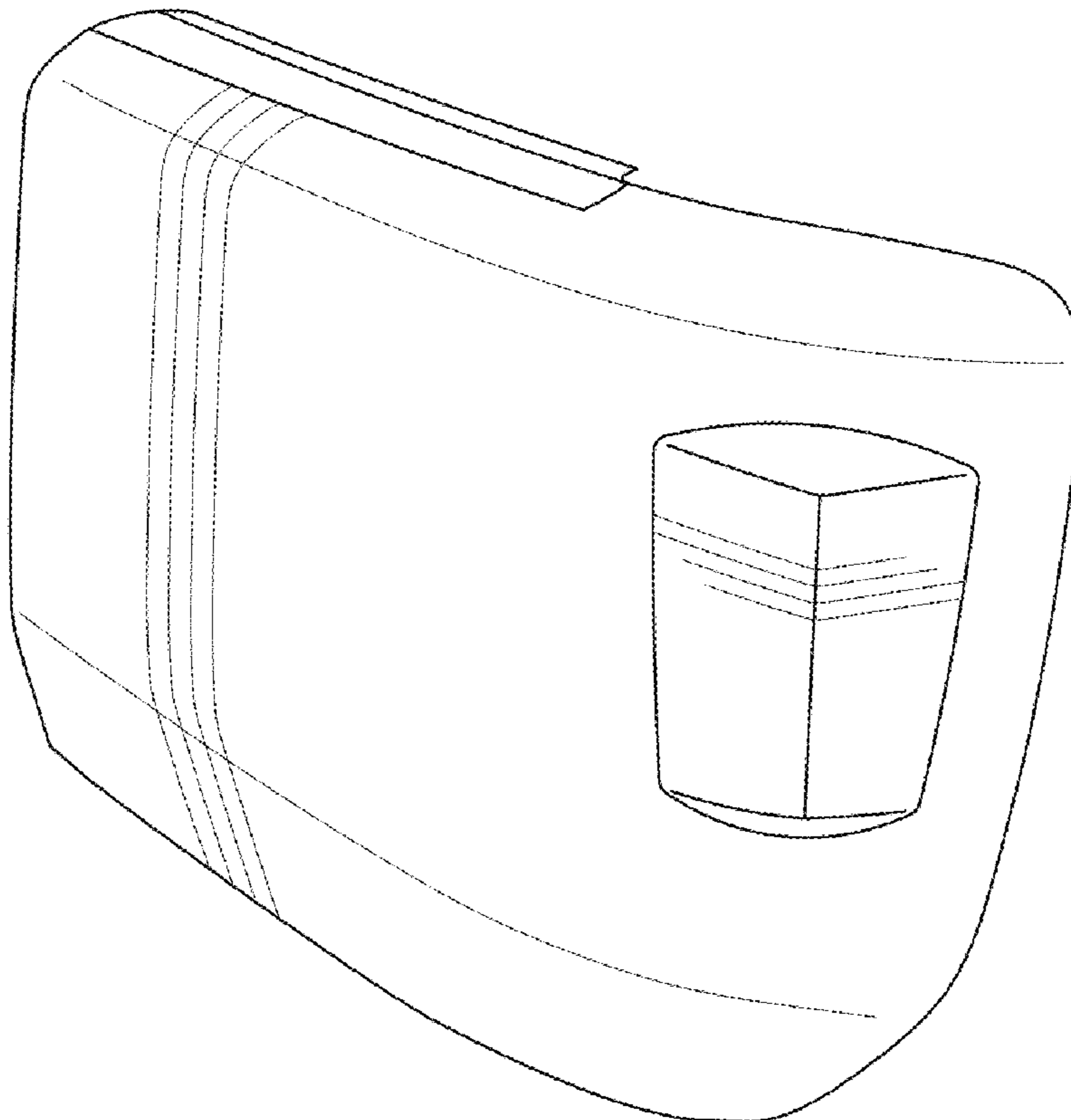


Fig-1

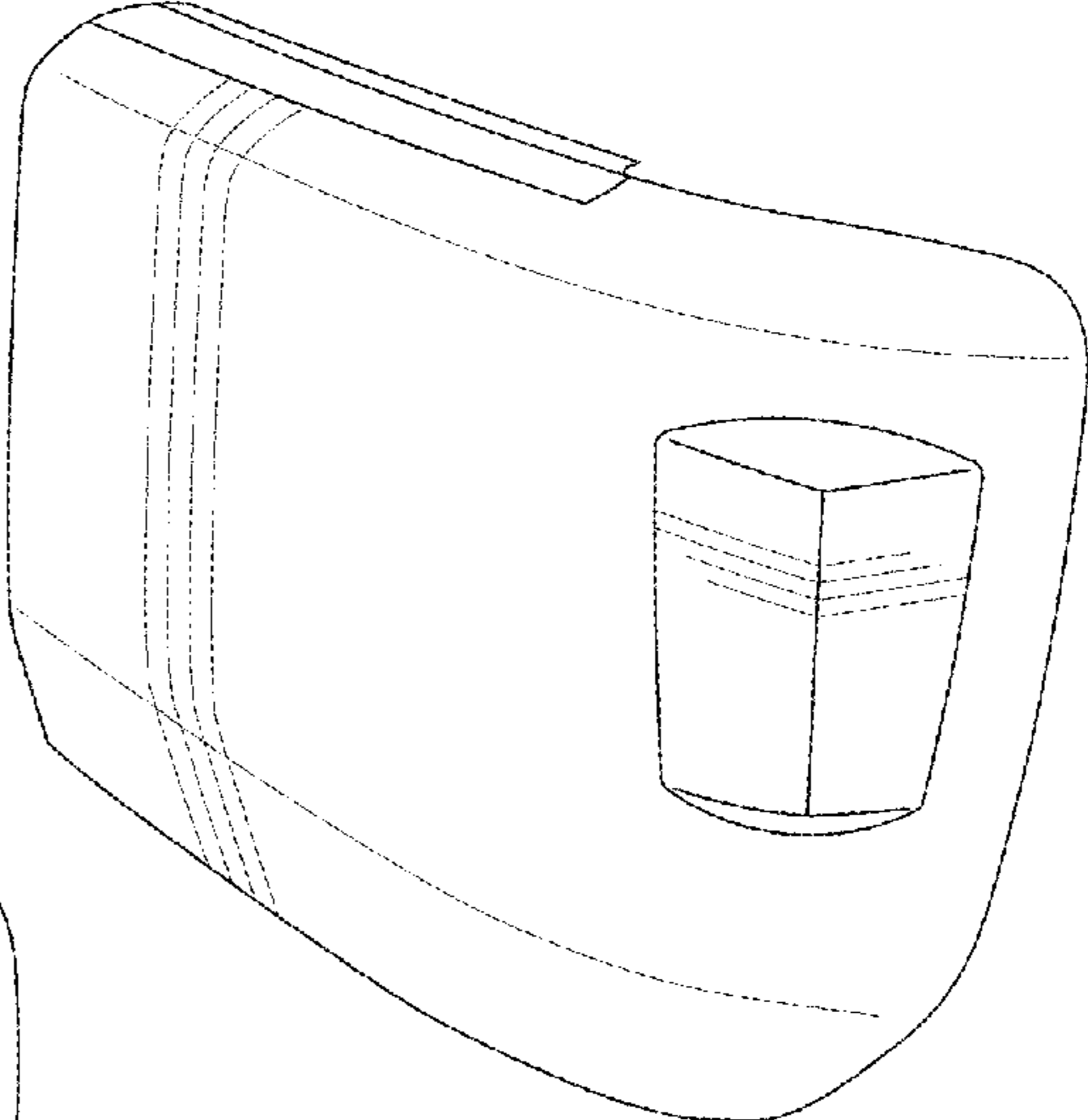


Fig-2

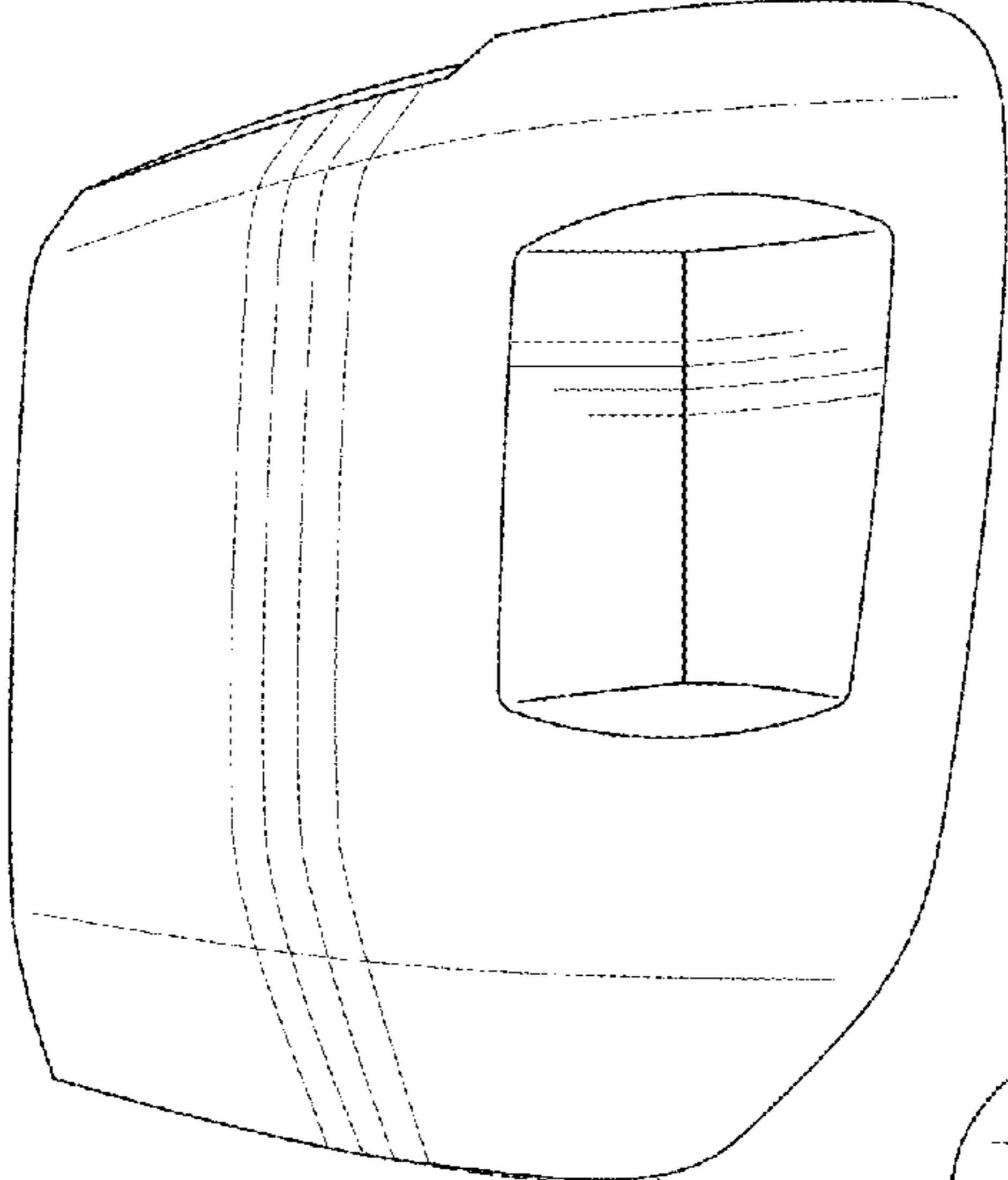


Fig-3

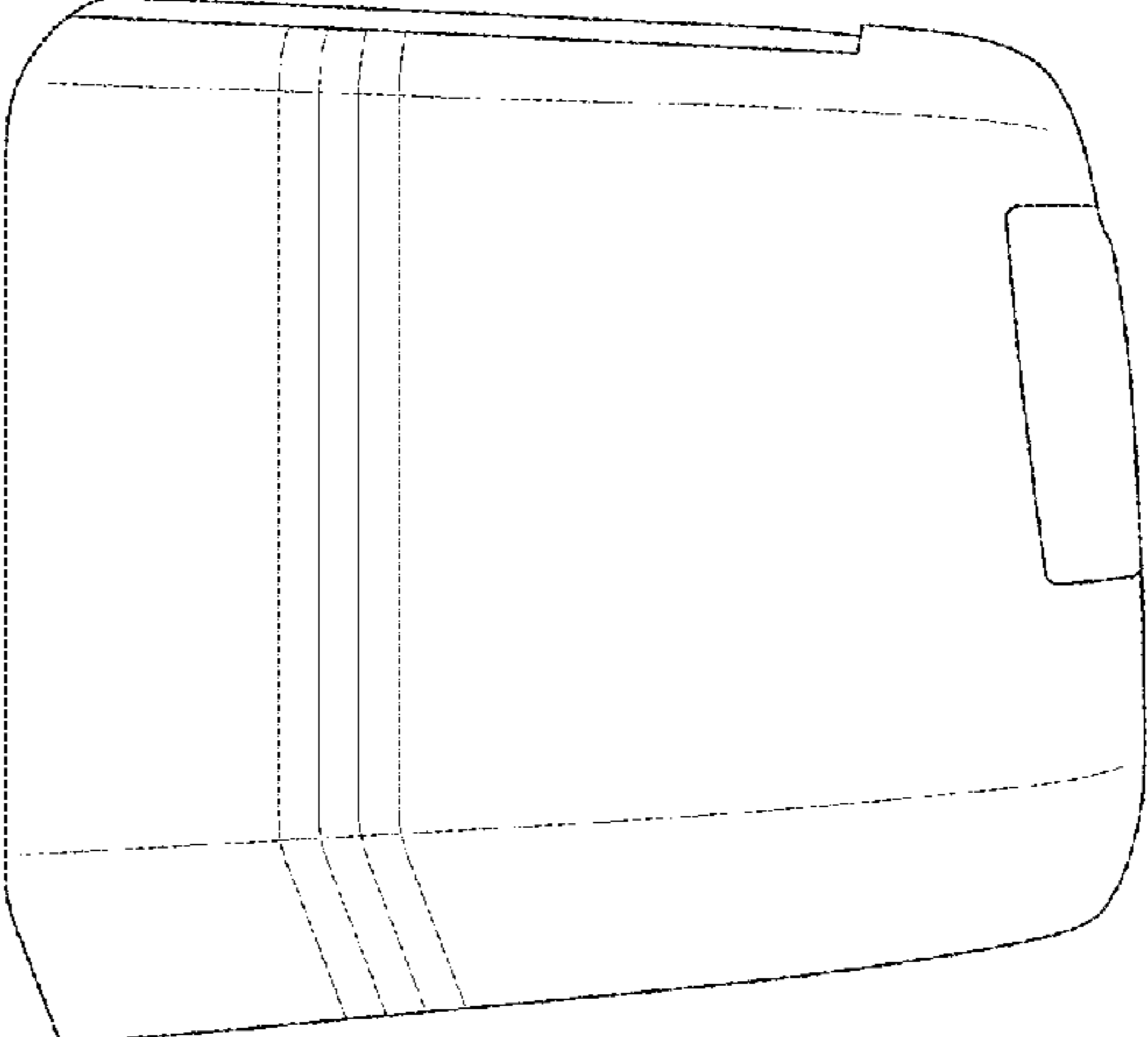


Fig-4

