

US00D694441S

(12) **United States Design Patent**  
**Johnson**

(10) **Patent No.:** **US D694,441 S**  
(45) **Date of Patent:** **\*\* Nov. 26, 2013**

(54) **TAILLIGHT FOR A VEHICLE**

FOREIGN PATENT DOCUMENTS

(71) Applicant: **Bayerische Motoren Werke Aktiengesellschaft, Munich (DE)**

WO DM/067928 7/2006  
WO DM/070811 3/2009  
WO DM/071790 11/2009  
WO DM/079908 1/2013

(72) Inventor: **Mark Allen Johnson, Santa Monica, CA (US)**

\* cited by examiner

(73) Assignee: **Bayerische Motoren Werke Aktiengesellschaft, Munich (DE)**

*Primary Examiner* — Marcus Jackson

(74) *Attorney, Agent, or Firm* — Crowell & Moring LLP

(\*\*) Term: **14 Years**

(21) Appl. No.: **29/449,353**

(57) **CLAIM**

The ornamental design for a taillight for a vehicle, as shown and described.

(22) Filed: **Mar. 15, 2013**

(51) **LOC (9) Cl.** ..... **26-06**

(52) **U.S. Cl.**  
USPC ..... **D26/28**

(58) **Field of Classification Search**  
USPC ..... D26/28-36; 362/459-468, 475-478, 362/485-487

See application file for complete search history.

**DESCRIPTION**

This application contains subject matter related to the following co-pending U.S. design patent application: Application Ser. No. 29/449,346, filed herewith and entitled "Vehicle, Toy, and/or Replicas Thereof".

FIG. 1 is a front view of a taillight for a vehicle according to the design;

FIG. 2 is a left, front perspective view thereof;

FIG. 3 is a right, front perspective view thereof;

FIG. 4 is a left side view thereof;

FIG. 5 is a right side view thereof;

FIG. 6 is a top view thereof;

FIG. 7 is a bottom view thereof; and,

FIG. 8 is a rear view thereof.

(56) **References Cited**

U.S. PATENT DOCUMENTS

D549,363 S *	8/2007	Pfeiffer	.....	D26/28
D552,769 S *	10/2007	Leclercq	.....	D26/28
D553,269 S *	10/2007	Pfeiffer et al.	.....	D26/28
D561,357 S	2/2008	Leclercq		
D570,015 S *	5/2008	Hsu	.....	D26/28
D574,524 S *	8/2008	Tomatsu	.....	D26/28
D605,793 S *	12/2009	Weil	.....	D26/28

**1 Claim, 8 Drawing Sheets**





Fig. 1

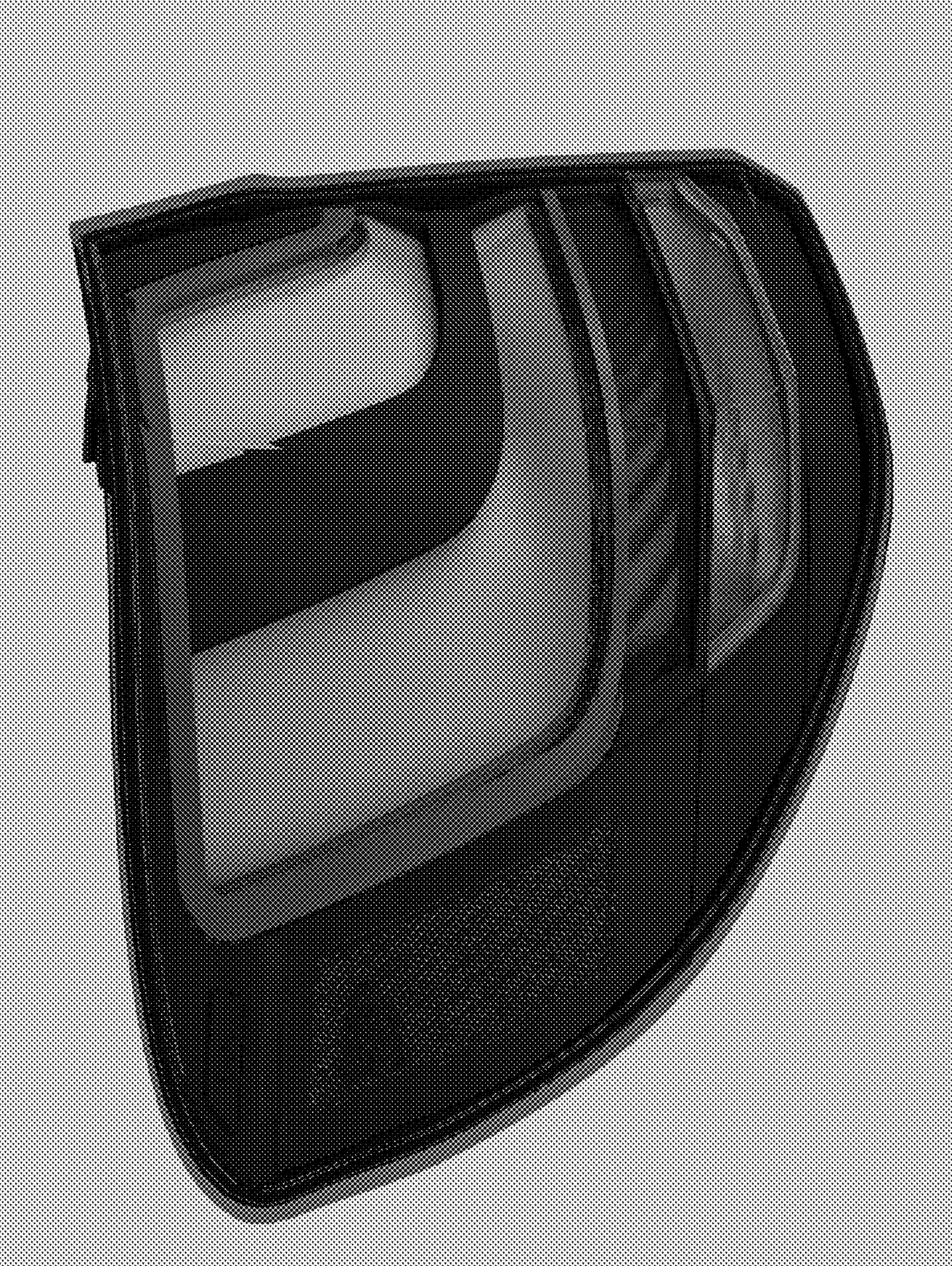


Fig. 2



Fig. 3

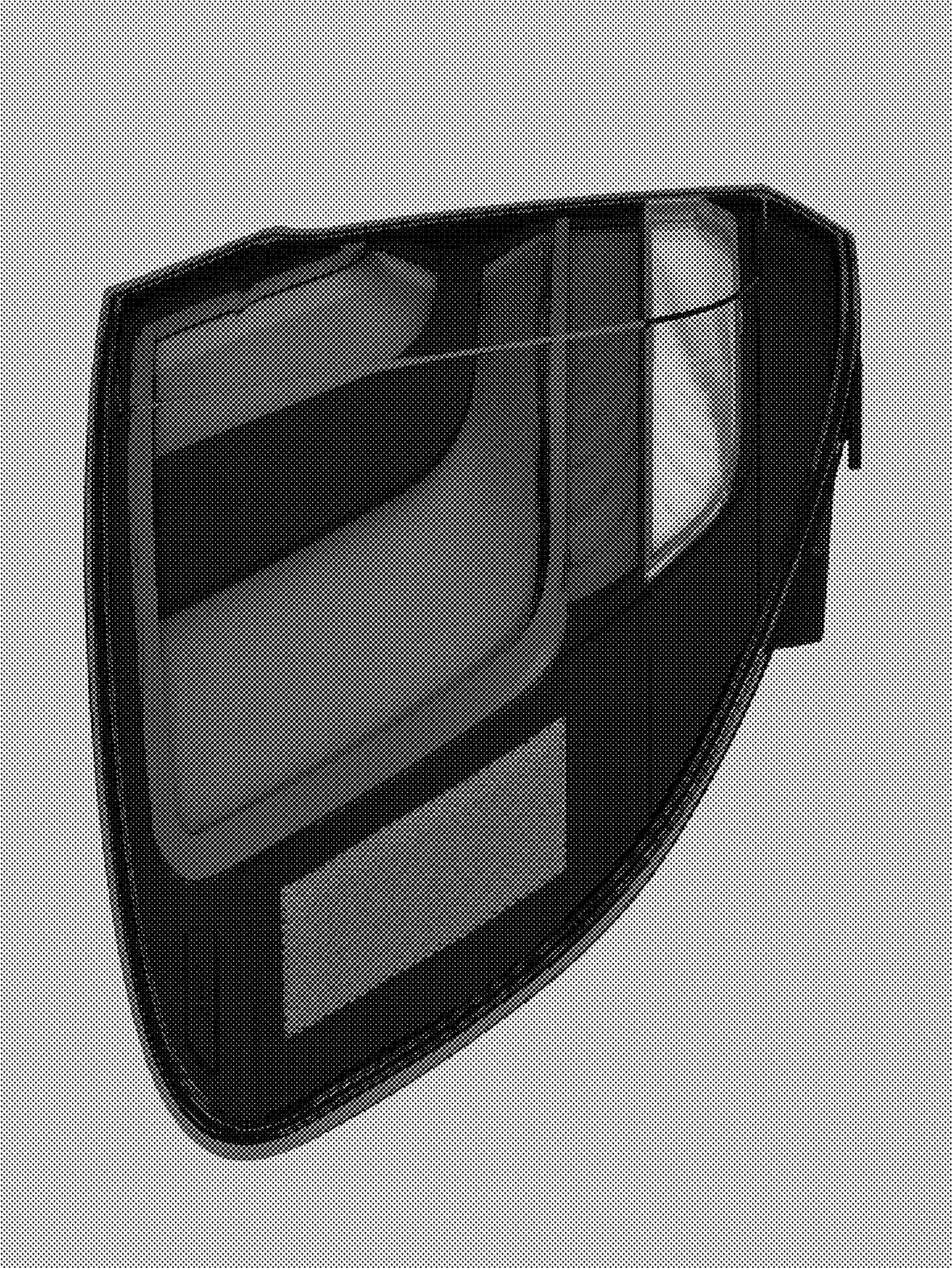


Fig. 4

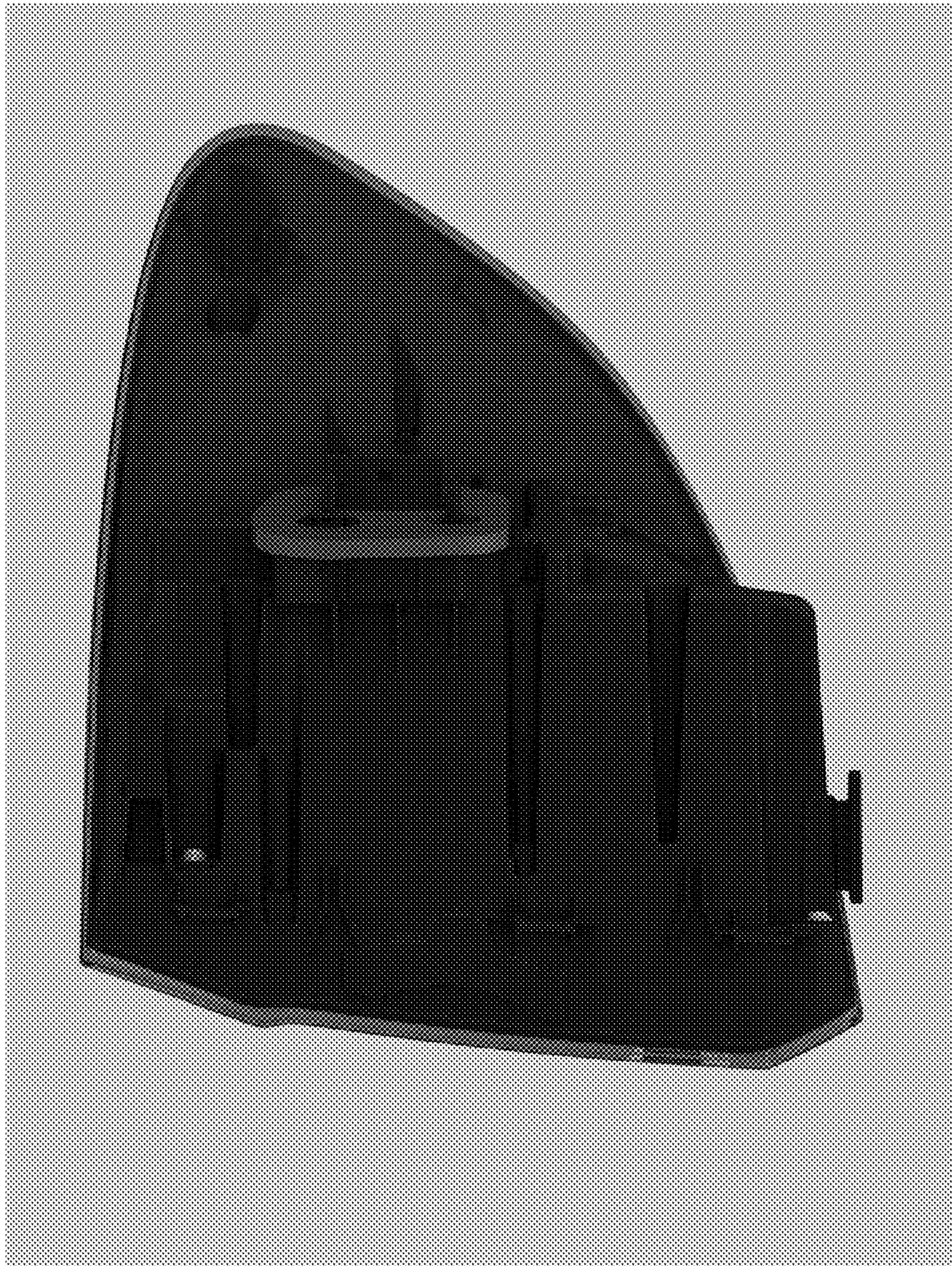


Fig. 5



Fig. 6



Fig. 7





Fig. 8