

US00D694435S

(12) **United States Design Patent**
Romeu et al.

(10) **Patent No.:** **US D694,435 S**
(45) **Date of Patent:** **** Nov. 26, 2013**

(54) **LUMINAIRE**

(75) Inventors: **Ricardo Romeu**, Melbourne, FL (US);
Mark Penley Boomgaarden, Satellite
Beach, FL (US); **Fred Kopitzke**,
Satellite Beach, FL (US); **David**
Henderson, Indialantic, FL (US); **Shane**
Sullivan, Indialantic, FL (US); **Wei Sun**,
Indialantic, FL (US); **Addy Widjaja**,
Palm Bay, FL (US)

(73) Assignee: **Lighting Science Group Corporation**,
Satellite Beach, FL (US)

(**) Term: **14 Years**

(21) Appl. No.: **29/410,099**

(22) Filed: **Jan. 4, 2012**

(51) **LOC (9) Cl.** **26-04**

(52) **U.S. Cl.**
USPC **D26/2**

(58) **Field of Classification Search**
USPC D26/1-4; 313/313, 315, 316, 317, 318,
313/493; 315/52, 53, 56, 57, 58
See application file for complete search history.

(56) **References Cited**

U.S. PATENT DOCUMENTS

4,375,607	A	3/1983	Morton et al.
4,392,076	A	7/1983	Ishler et al.
D271,424	S	11/1983	Young et al.
D307,805	S	5/1990	Noe
D321,260	S	10/1991	Bowman

(Continued)

FOREIGN PATENT DOCUMENTS

WO	2006118457	11/2006
WO	2008113837	A2 9/2008

OTHER PUBLICATIONS

<http://img.diytrade.com/cdimg/395588/7678937/...> <http://images.google.com/imgres?imgurl=http://img.diytrade.com/cdimg/3...>

(Continued)

Primary Examiner — Marcus Jackson
(74) *Attorney, Agent, or Firm* — Cantor Colburn LLP

(57) **CLAIM**
We claim, the ornamental design for a luminaire, as shown and described.

DESCRIPTION

FIG. 1 is a front view of an exemplary embodiment of the invention, the luminaire being symmetric about a center axis; FIG. 2 is a top view of the exemplary embodiment of FIG. 1; FIG. 3 is a bottom view of the exemplary embodiment of FIG. 1; FIG. 4 is a top perspective view of the exemplary embodiment of FIG. 1; and, FIG. 5 is a bottom perspective view of the exemplary embodiment of FIG. 1.

The phantom lines shown in FIG. 1-FIG. 5 are environmental and not part of the claimed design.

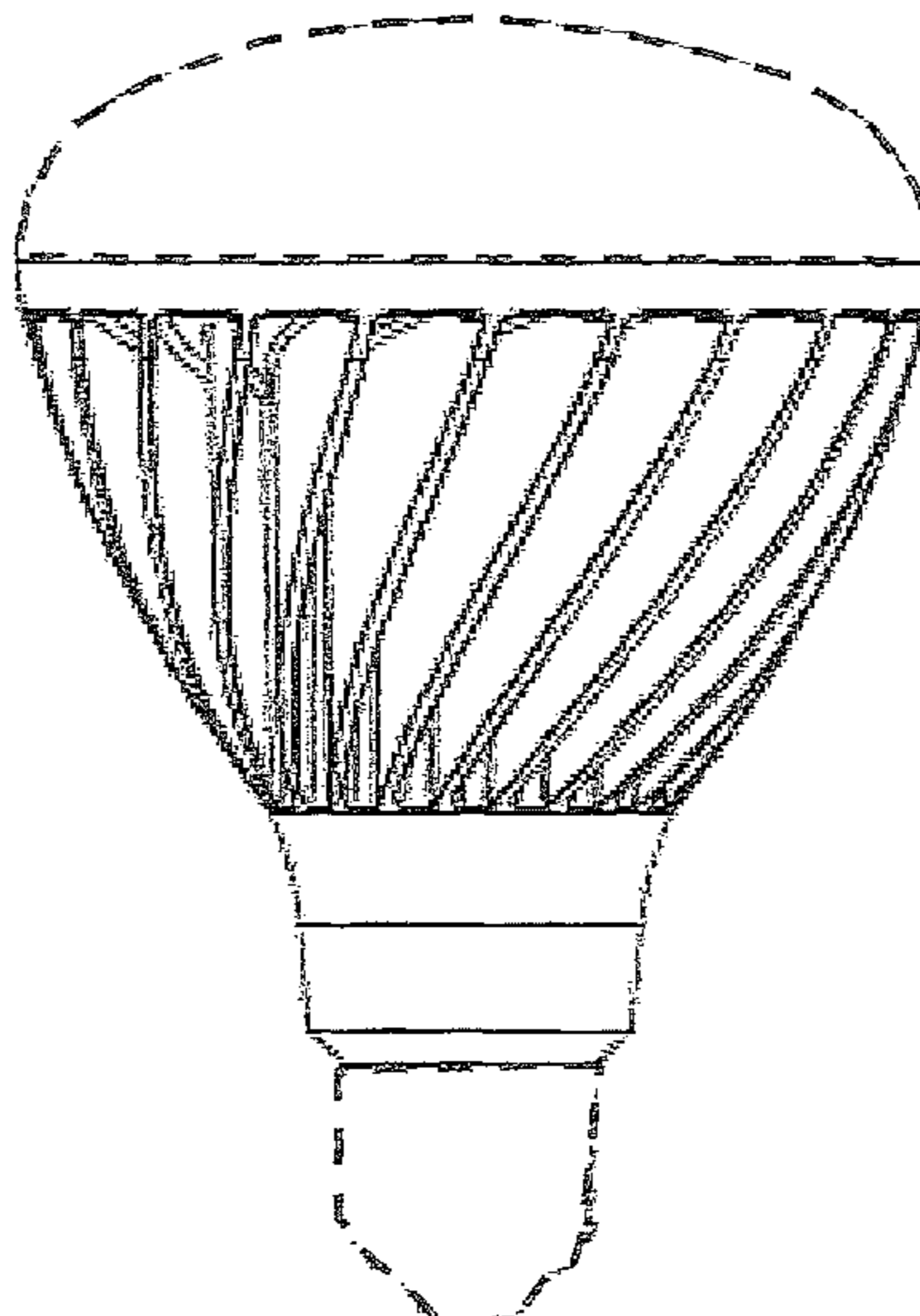
The color of the luminaire forms no part of the claimed design; a luminaire according to the claimed design may be of any color or combination of colors.

The shading and tones, and any variations thereof, shown in the figures do not imply any specific colors or color contrast scheme in the claimed design.

The surface treatment of the luminaire shown in the figures forms no part of the claimed design, a luminaire according to the claimed design may have any surface treatment.

References to “front”, “rear”, “side”, “top”, and “bottom” in the figure descriptions are not meant to require certain in-use orientation; a luminaire according to the claimed design may be used in any orientation.

1 Claim, 4 Drawing Sheets



(56)

References Cited

U.S. PATENT DOCUMENTS

5,458,505 A 10/1995 Prager
 D391,006 S 2/1998 Yang
 5,791,769 A 8/1998 Yang
 D470,610 S 2/2003 Bobel
 6,515,433 B1 2/2003 Ge et al.
 D480,486 S 10/2003 Kakuno et al.
 6,655,823 B2 12/2003 Chang
 6,786,625 B2 9/2004 Wesson
 D497,439 S 10/2004 Shaw et al.
 6,848,812 B1 2/2005 Hsieh
 D508,575 S * 8/2005 Buschmann et al. D26/2
 D516,229 S 2/2006 Tang
 D527,119 S 8/2006 Maxik et al.
 D528,227 S * 9/2006 Chou et al. D26/2
 D528,673 S 9/2006 Maxik et al.
 D531,741 S * 11/2006 Takahashi D26/2
 D534,665 S * 1/2007 Egawa et al. D26/2
 D538,950 S 3/2007 Maxik
 D538,951 S 3/2007 Maxik et al.
 D538,952 S 3/2007 Maxik et al.
 D538,953 S * 3/2007 Mama D26/2
 D541,440 S * 4/2007 Feit D26/2
 D541,957 S 5/2007 Wang
 D545,457 S 6/2007 Chen
 7,226,189 B2 6/2007 Lee et al.
 D553,267 S * 10/2007 Yuen D26/2
 D560,286 S 1/2008 Maxik et al.
 D566,300 S 4/2008 Lo
 7,367,688 B1 5/2008 Bucher et al.
 D570,504 S 6/2008 Maxik et al.
 D570,505 S 6/2008 Maxik et al.
 D572,358 S 7/2008 Mazzochette et al.
 D572,385 S 7/2008 Mazzochette et al.
 7,434,964 B1 10/2008 Zheng et al.
 D581,554 S 11/2008 To et al.
 D581,556 S * 11/2008 To et al. D26/2
 D581,583 S 11/2008 Peng
 7,448,772 B2 11/2008 Hampton
 D584,837 S 1/2009 Mazzochette et al.
 D586,497 S 2/2009 Wu et al.
 7,513,653 B1 4/2009 Liu et al.
 D593,222 S 5/2009 To et al.
 D594,143 S 6/2009 Montagnat et al.
 D594,995 S 6/2009 Komar
 D595,893 S 7/2009 Maxik et al.

D597,704 S 8/2009 Peng
 D600,367 S * 9/2009 Bertram et al. D26/2
 D600,850 S 9/2009 Maxik et al.
 D601,276 S 9/2009 Grajcar
 D601,277 S 9/2009 Grajcar
 D601,278 S 9/2009 Takahashi
 D601,279 S 9/2009 Ou et al.
 D607,586 S 1/2010 Ko
 D608,478 S 1/2010 Maxik et al.
 D610,271 S 2/2010 Bi
 D610,722 S 2/2010 Bi
 D612,956 S 3/2010 Moon
 D613,433 S 4/2010 Moon
 7,717,590 B1 5/2010 Li
 D617,915 S 6/2010 Wada et al.
 D618,369 S 6/2010 Lee et al.
 D620,153 S 7/2010 Wang et al.
 D623,777 S 9/2010 Moon et al.
 D623,778 S 9/2010 Moon et al.
 D623,779 S 9/2010 Wang et al.
 D624,214 S 9/2010 Thomas et al.
 D624,215 S 9/2010 Moon et al.
 D624,669 S 9/2010 Tsai
 D625,437 S 10/2010 Zhang et al.
 D626,260 S 10/2010 Wei
 D626,667 S 11/2010 Jonsson et al.
 D627,087 S 11/2010 Jonsson et al.
 D628,322 S 11/2010 Sakai et al.
 D628,720 S 12/2010 Wang
 D629,129 S 12/2010 Lin et al.
 D629,930 S 12/2010 Cotter et al.
 D632,409 S * 2/2011 Qiu D26/2
 D634,031 S 3/2011 de Visser et al.
 D634,037 S 3/2011 Jeong et al.
 D646,409 S 10/2011 MacDonald et al.
 2006/0215408 A1 9/2006 Lee
 2007/0285926 A1 12/2007 Maxik
 2008/0253125 A1 10/2008 Kang et al.
 2009/0141500 A1 6/2009 Peng
 2009/0296402 A1 12/2009 Chang et al.
 2010/0027270 A1 2/2010 Huang et al.
 2010/0091487 A1 4/2010 Shin

OTHER PUBLICATIONS

SP-E27 LB60 Nicha/Cree LED Lamp, posted Dec. 18, 2008, http://www.diytrade.com/china/4/products/4950147/SP-E27_LB60_Nicha_Cree_LED_Lamp.html, accessed Jun. 30, 2009.

* cited by examiner

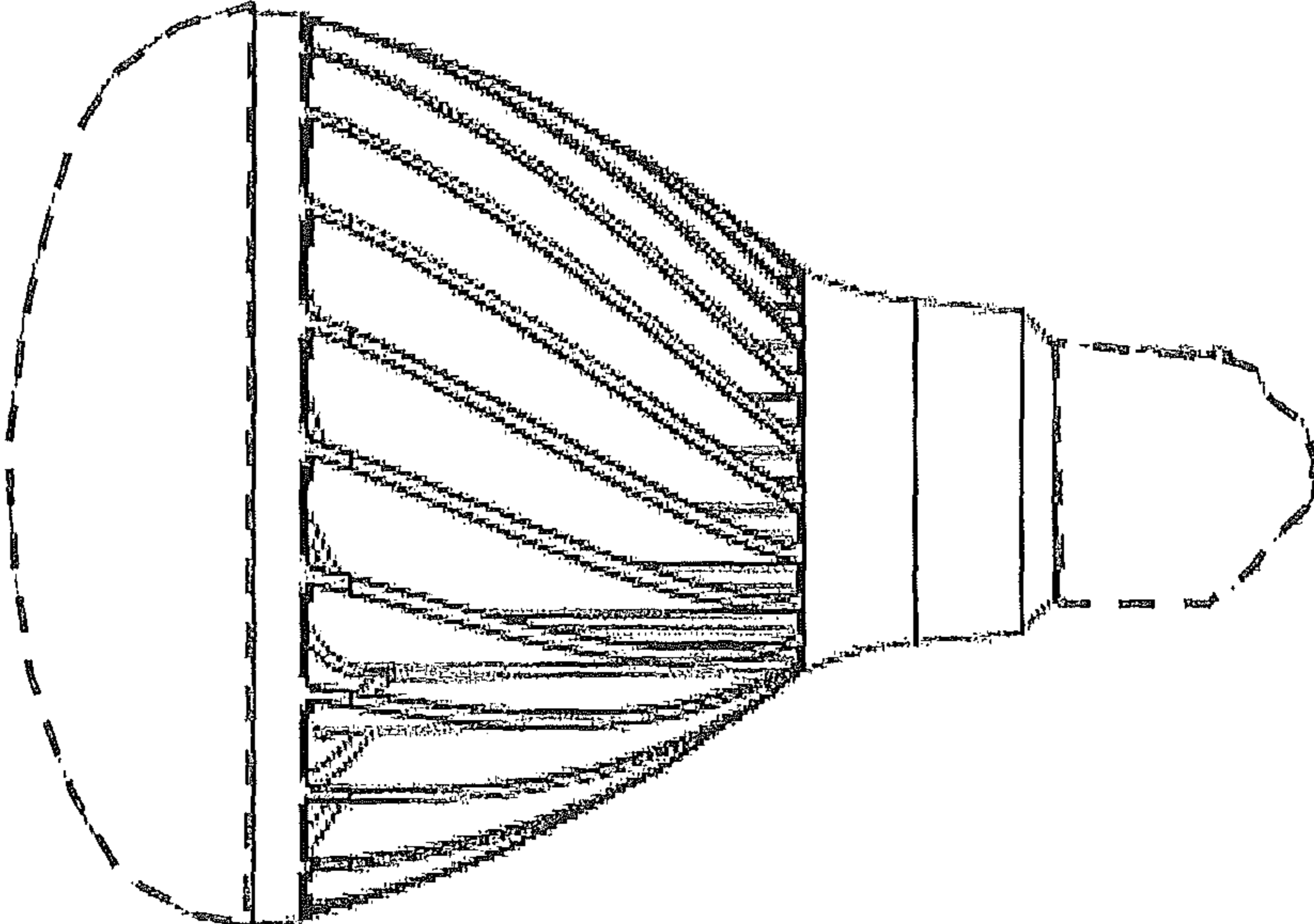


FIG. 1

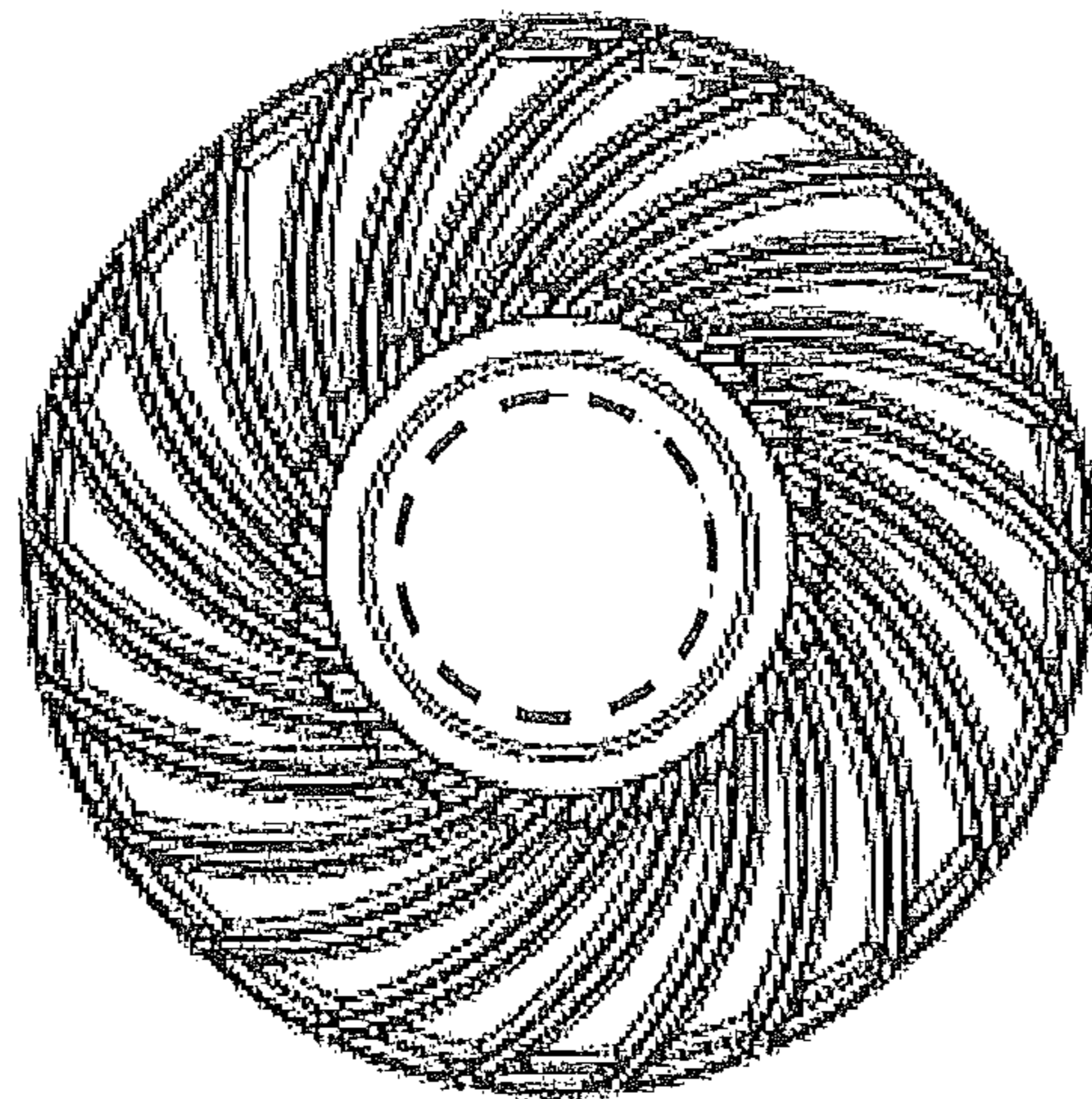


FIG. 3

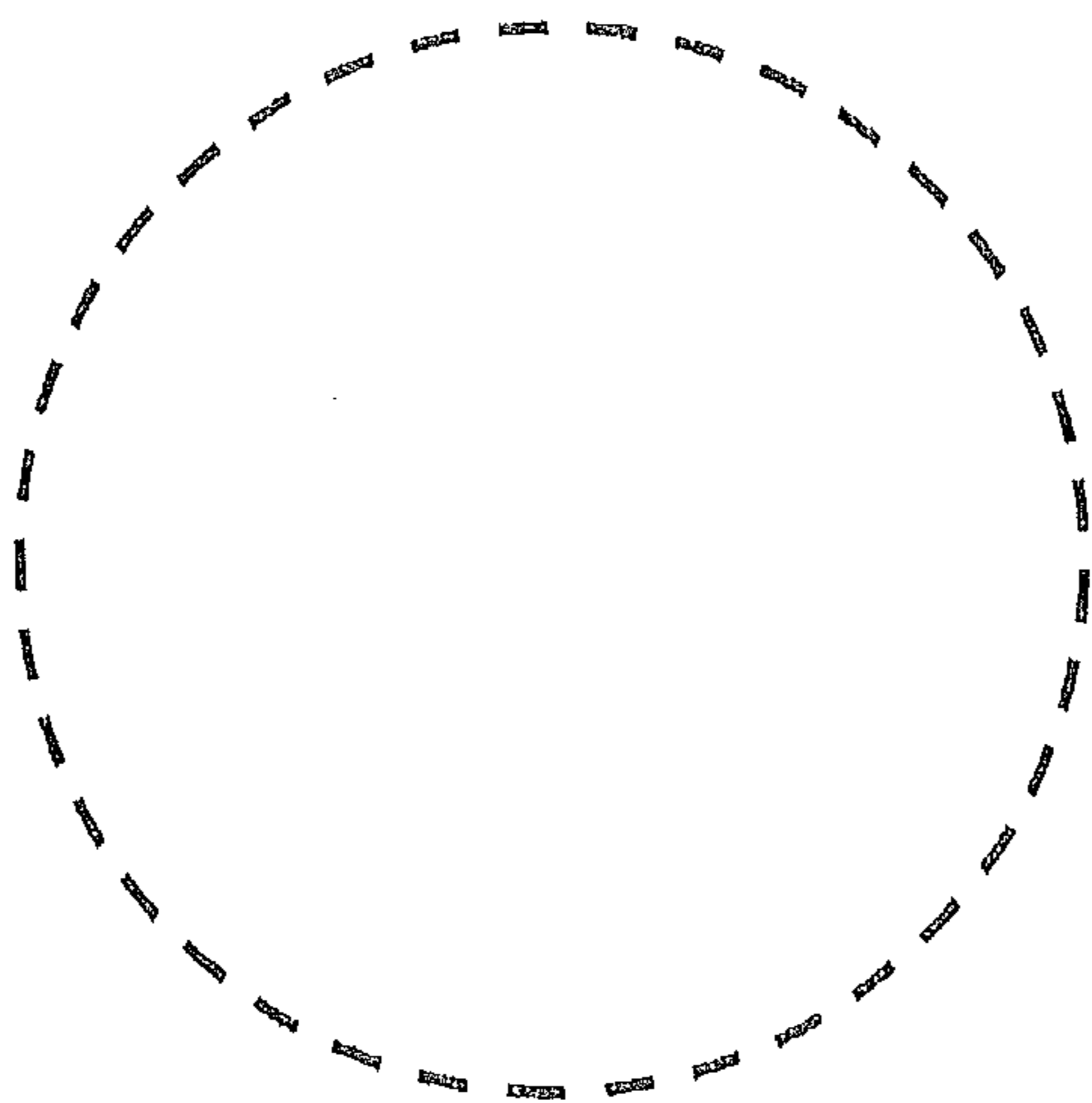


FIG. 2

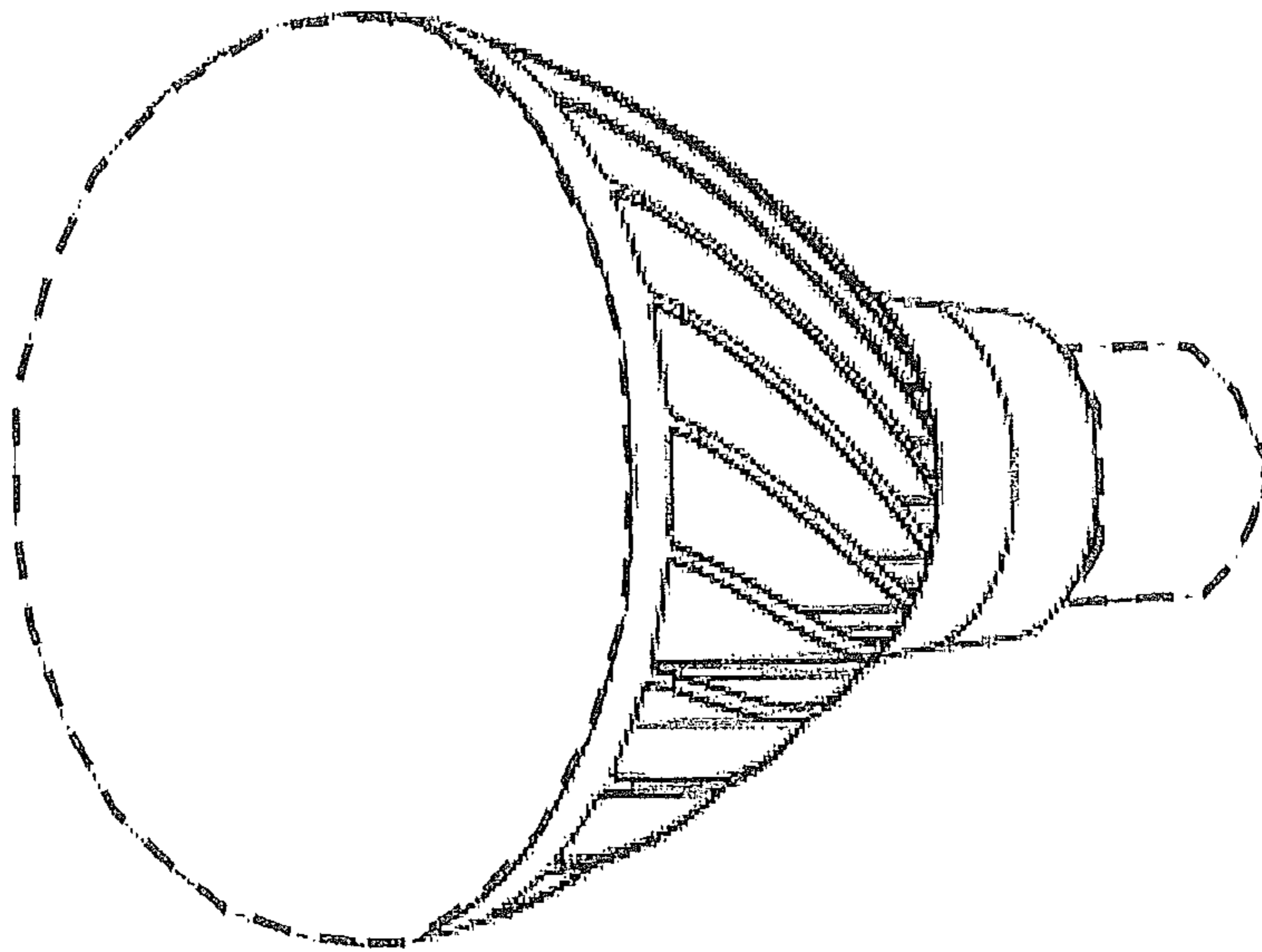


FIG. 4

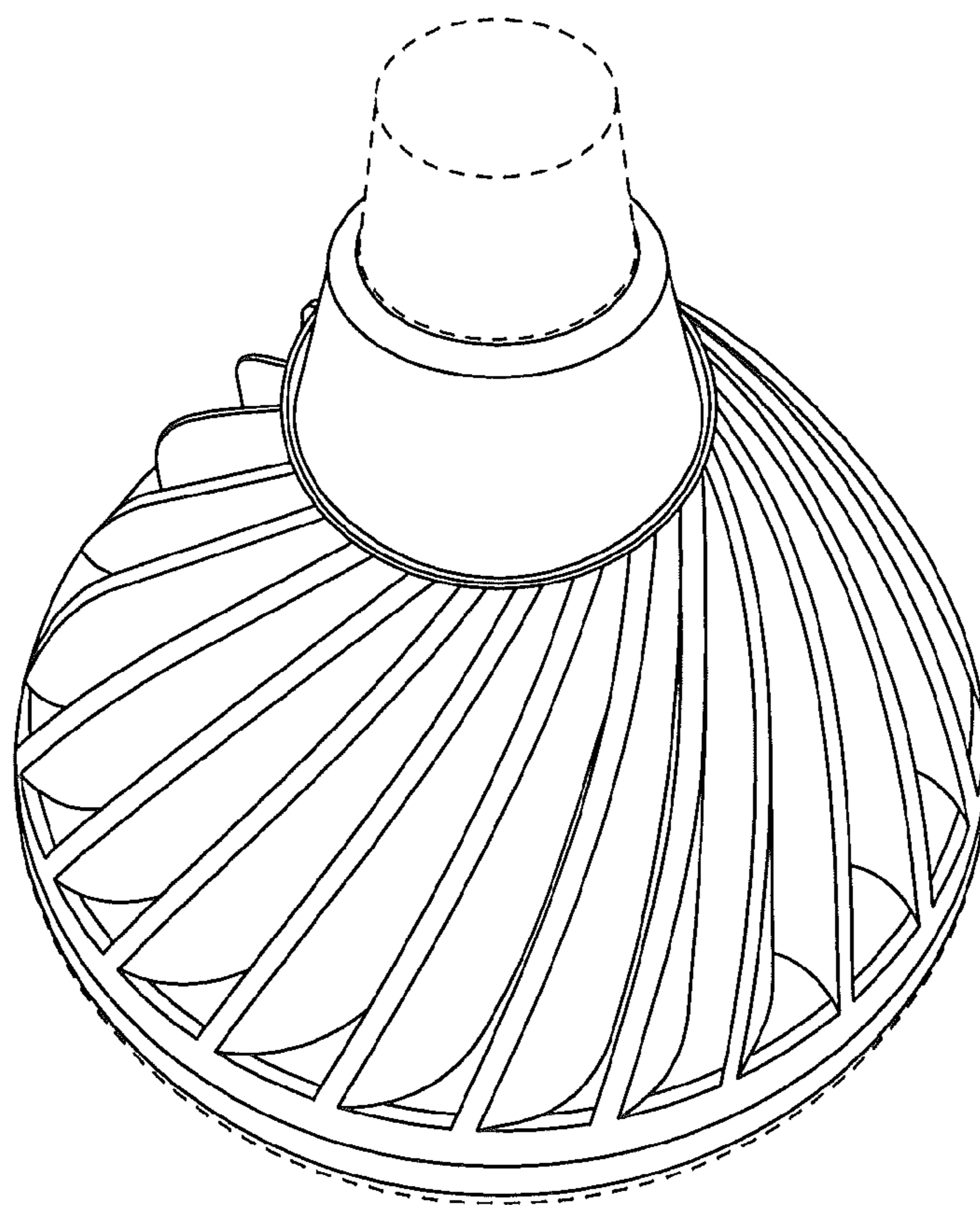


FIG. 5