

US00D694430S

(12) **United States Design Patent**
Walsh

(10) **Patent No.:** **US D694,430 S**

(45) **Date of Patent:** **** *Nov. 26, 2013**

(54) **LITE FOR DOORS AND ENTRYWAYS**

(75) Inventor: **Jason Walsh**, Batavia, IL (US)

(73) Assignee: **Masonite Corporation**, Tampa, FL (US)

(*) Notice: This patent is subject to a terminal disclaimer.

(**) Term: **14 Years**

(21) Appl. No.: **29/411,460**

(22) Filed: **Jan. 20, 2012**

(51) **LOC (9) Cl.** **25-01**

(52) **U.S. Cl.**
USPC **D25/110**

(58) **Field of Classification Search**
USPC D25/103, 110, 111, 106; 428/34, 38;
52/204.59
See application file for complete search history.

(56) **References Cited**

U.S. PATENT DOCUMENTS

286,434	A *	10/1883	Herzog	428/38
1,612,054	A *	12/1926	Rez	428/38
1,678,439	A *	7/1928	Le Roy	428/38
4,619,850	A *	10/1986	Charlton	428/38
D336,139	S *	6/1993	Wilkening et al.	D25/103
6,185,883	B1 *	2/2001	Howard	52/204.59
D478,674	S *	8/2003	Lamberts	D25/110
D482,132	S *	11/2003	Alexander	D25/103
6,736,534	B1 *	5/2004	Fite	362/576

* cited by examiner

Primary Examiner — Doris Clark

(74) *Attorney, Agent, or Firm* — Berenato & White, LLC

(57) **CLAIM**

The ornamental design for a lite for doors and entryways, as shown and described.

DESCRIPTION

FIG. 1 is a front perspective view of my design;
 FIG. 2 is a front elevational view of FIG. 1;
 FIG. 3 is a front perspective view of an alternative to the design of FIG. 1;
 FIG. 4 is a front elevational view of FIG. 3;
 FIG. 5 is a front perspective view of my design a second embodiment;
 FIG. 6 is a front elevational view of FIG. 5;
 FIG. 7 is a front perspective view of an alternative to the design of FIG. 5;
 FIG. 8 is a front elevational view of FIG. 7;
 FIG. 9 is a front perspective view of a third embodiment of my design;
 FIG. 10 is a front elevational view of FIG. 9;
 FIG. 11 is a front perspective view of an alternative to the design of FIG. 9;
 FIG. 12 is a front elevational view of FIG. 11;
 FIG. 13 is a front perspective view of a fourth embodiment of my design;
 FIG. 14 is a front elevational view of FIG. 13;
 FIG. 15 is a front perspective view of an alternative to the design of FIG. 13; and,
 FIG. 16 is a front elevational view of FIG. 15.
 The rear elevational view of each of FIGS. 2, 4, 6, 8, 10, 12, 14, and 16 is a mirror image thereof.

1 Claim, 16 Drawing Sheets

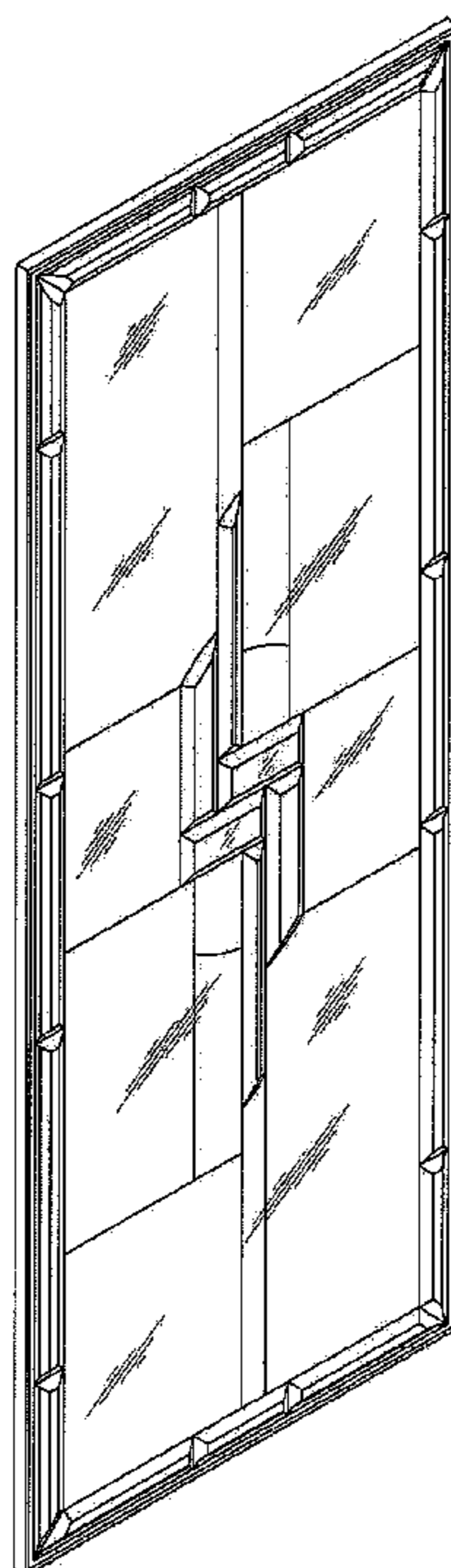


Fig. 1

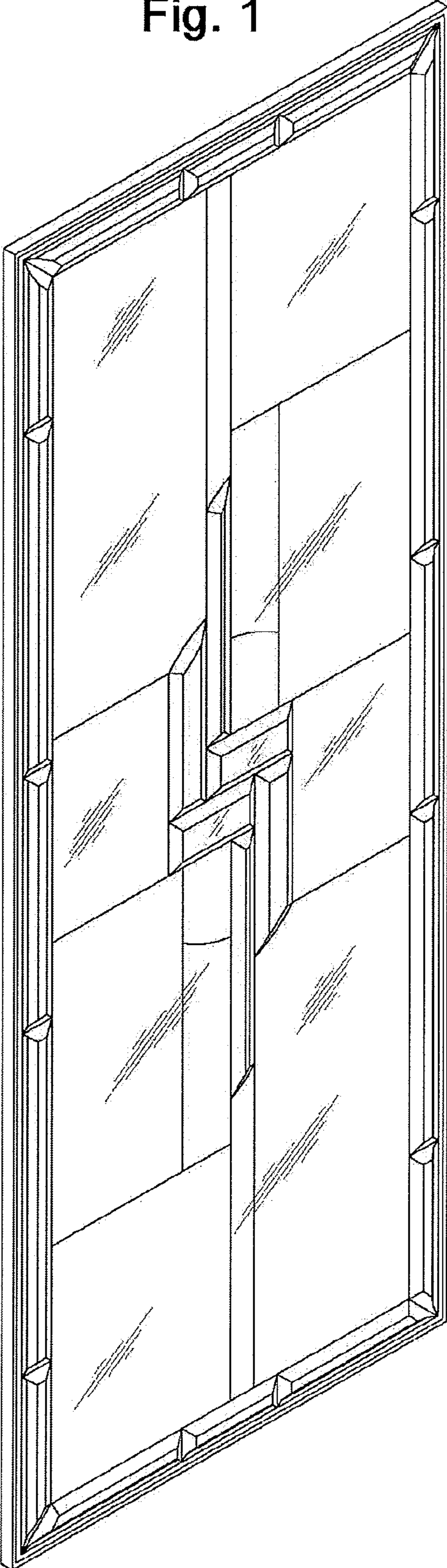


Fig. 2

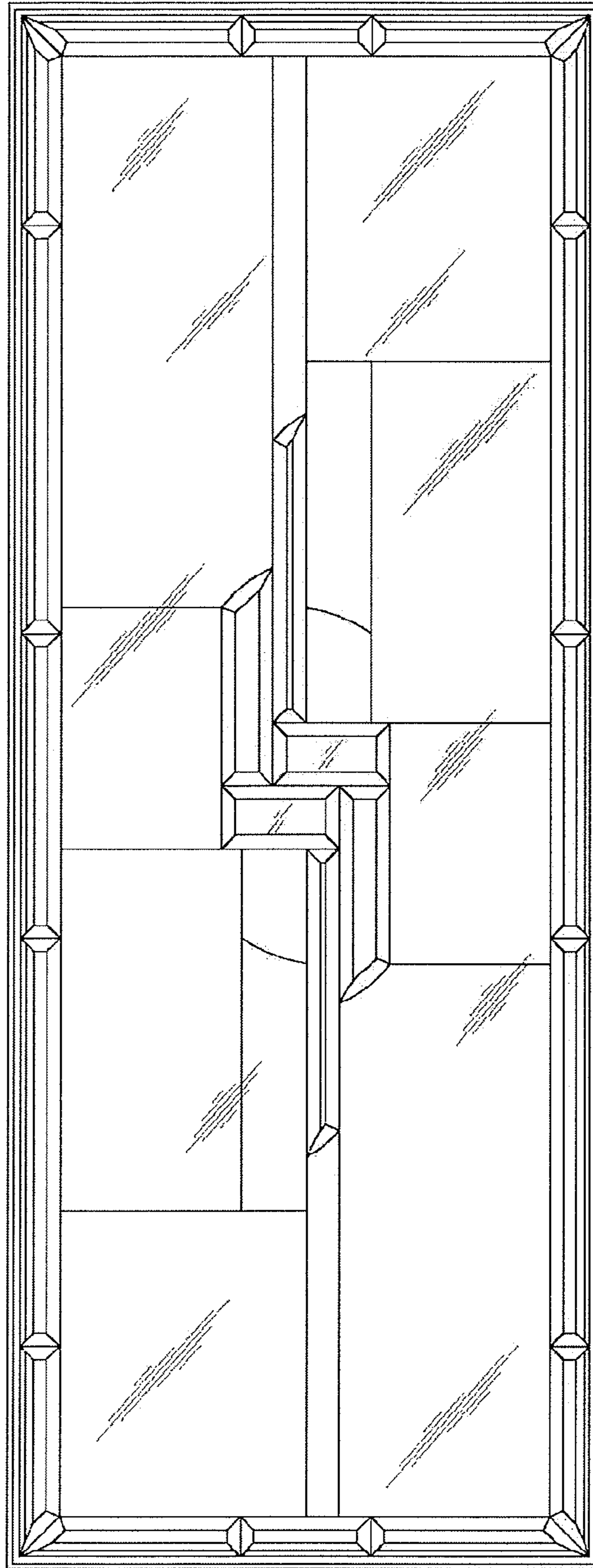


Fig. 3

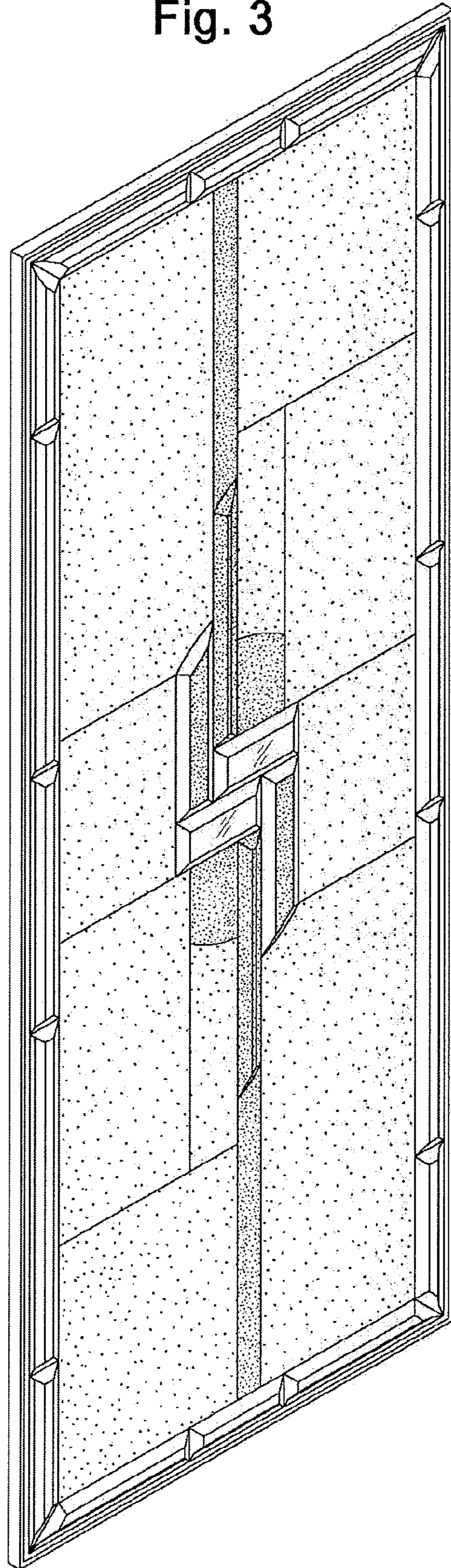


Fig. 4

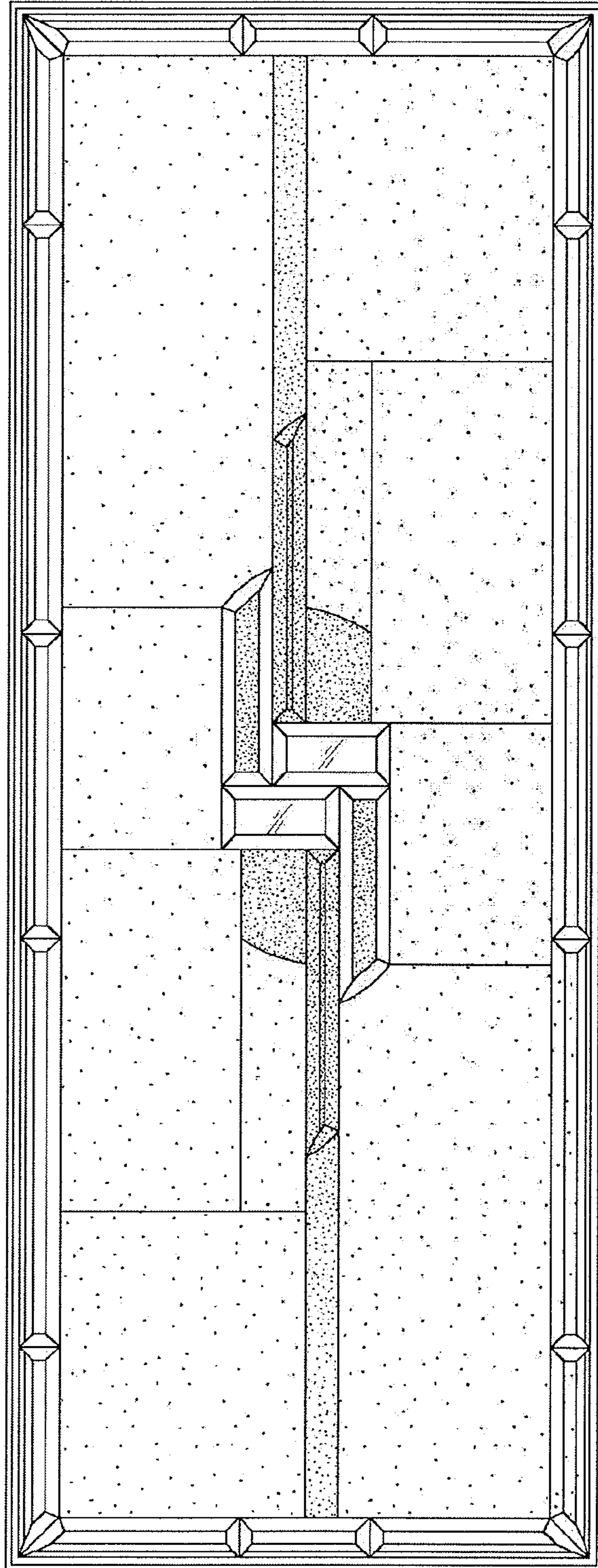


Fig. 5

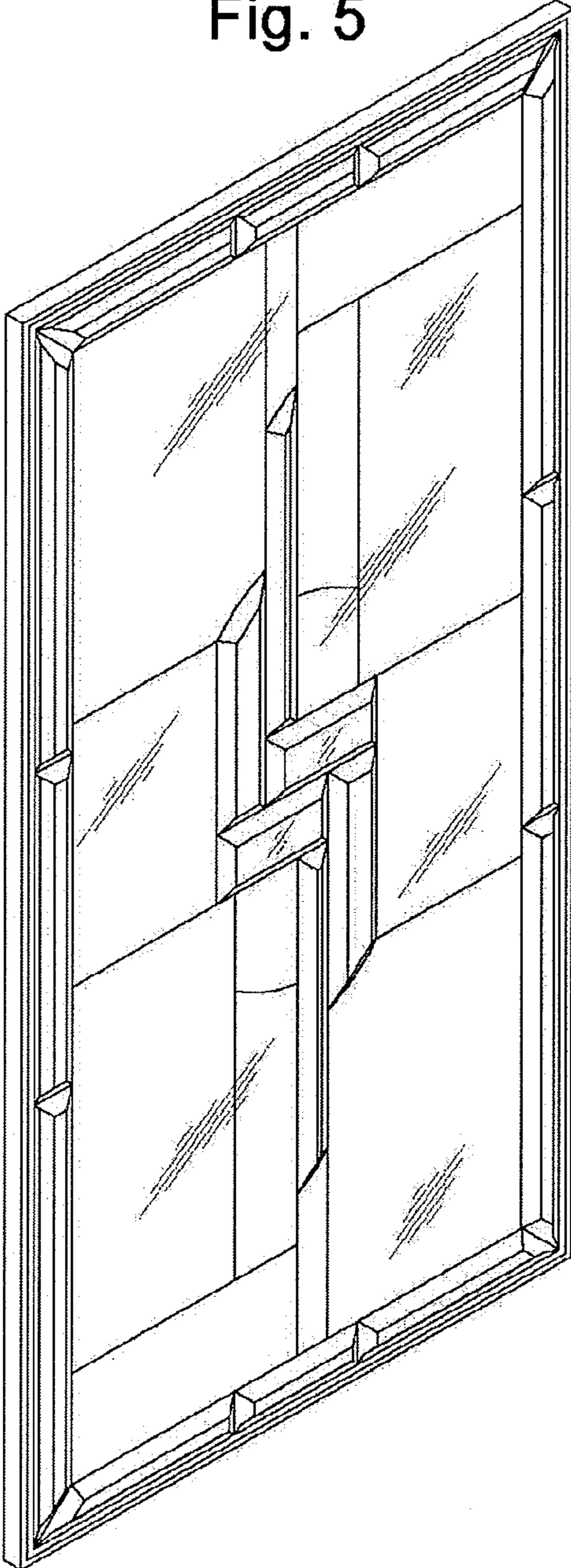


Fig. 6

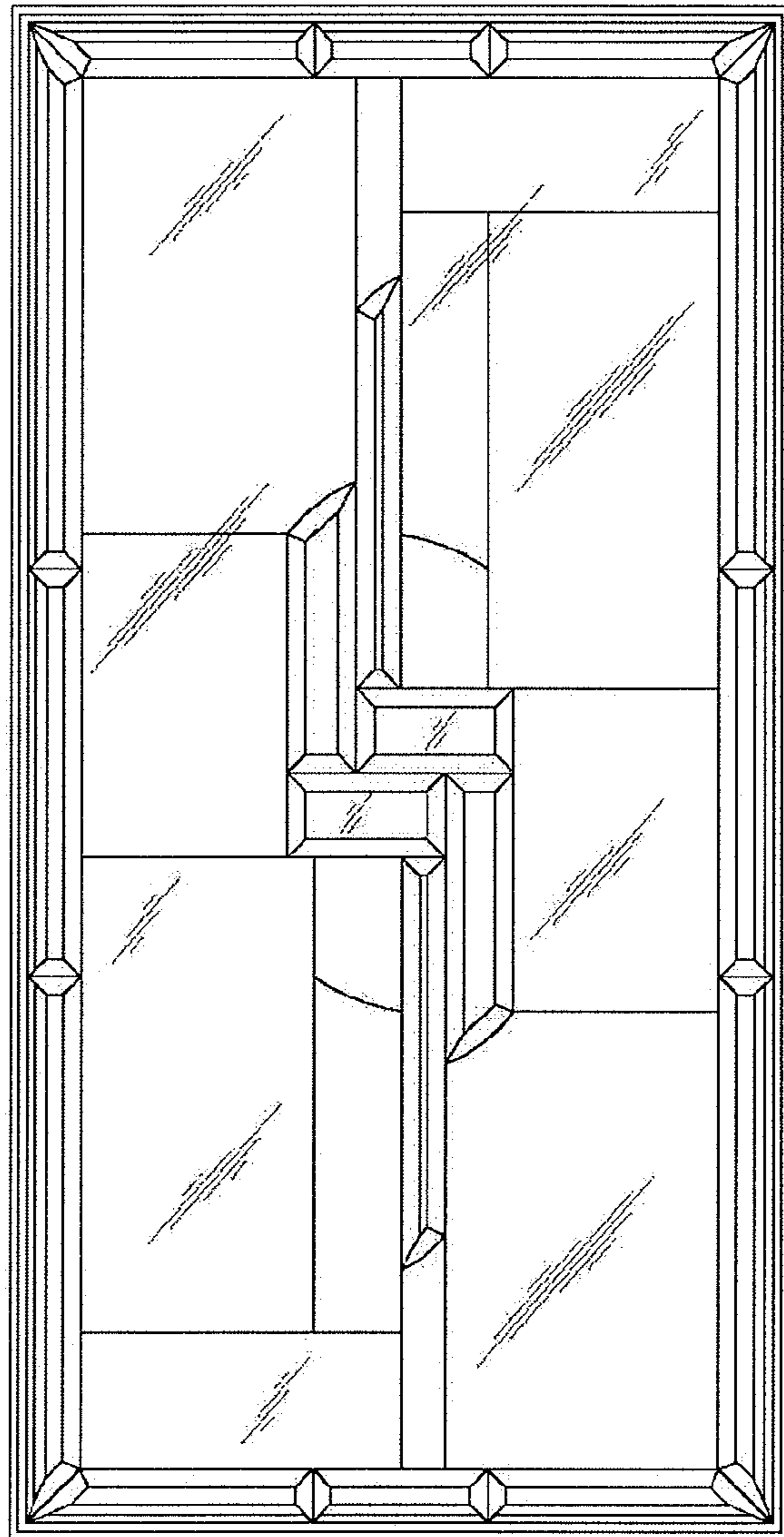


Fig. 7

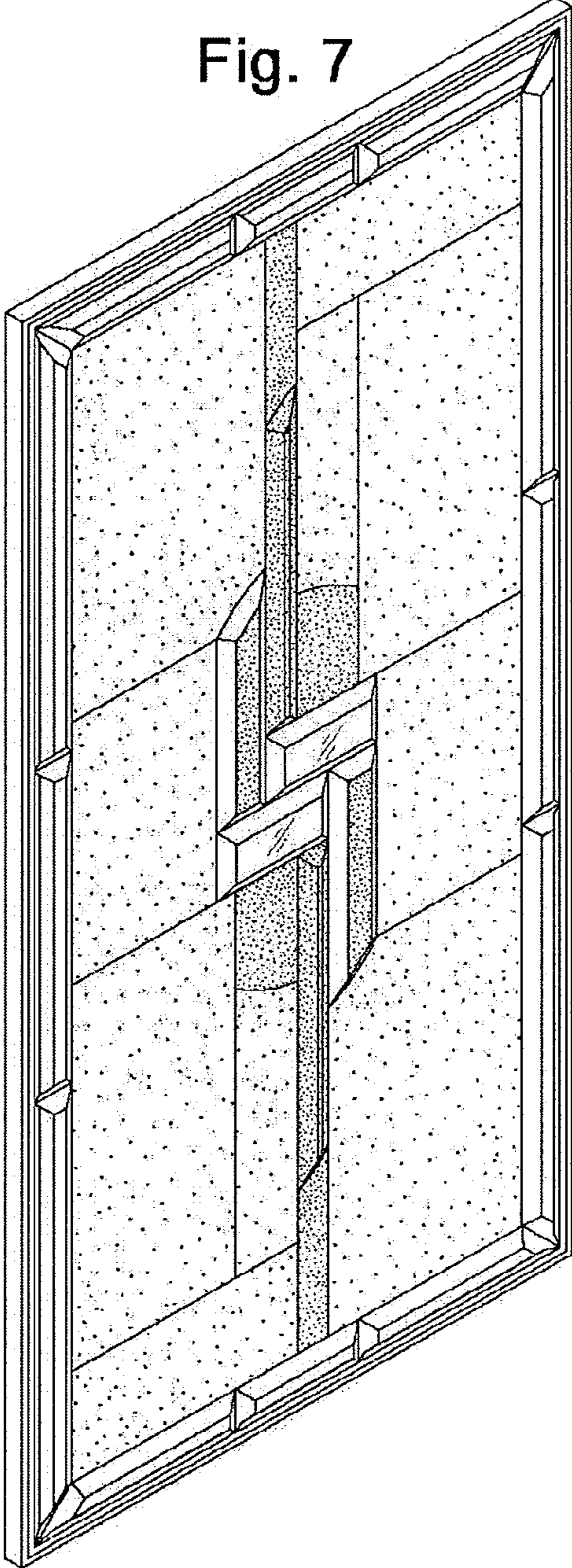


Fig. 8

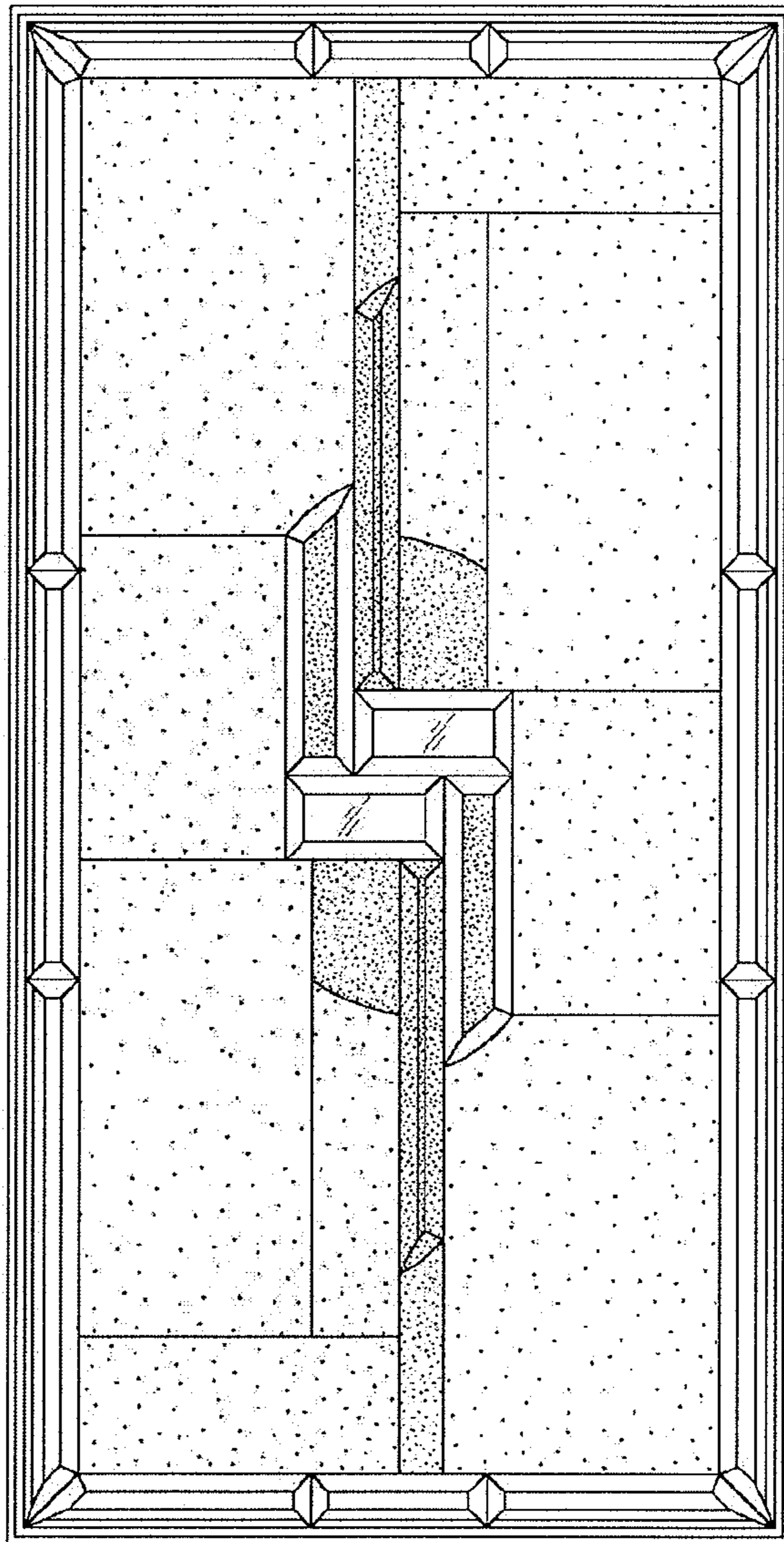


Fig. 9

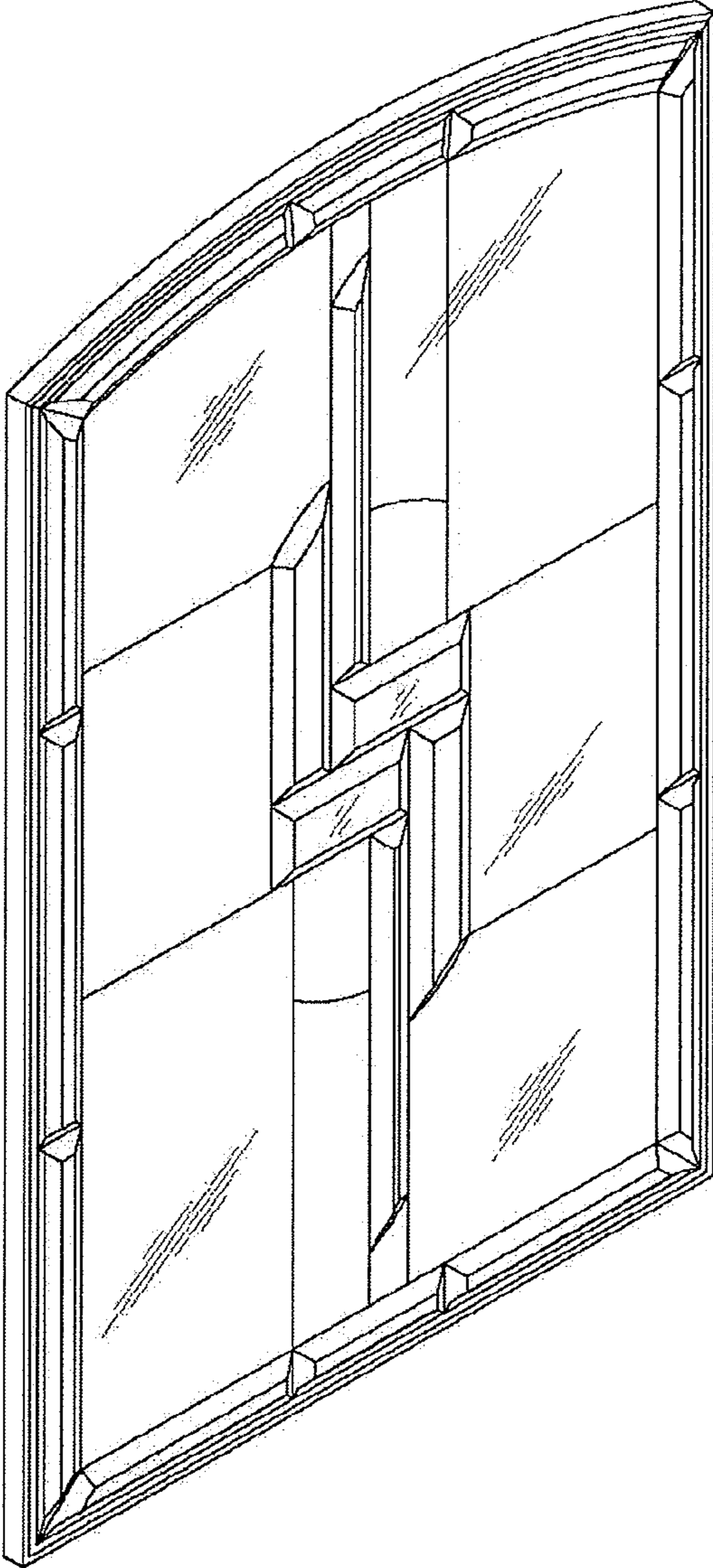


Fig. 10

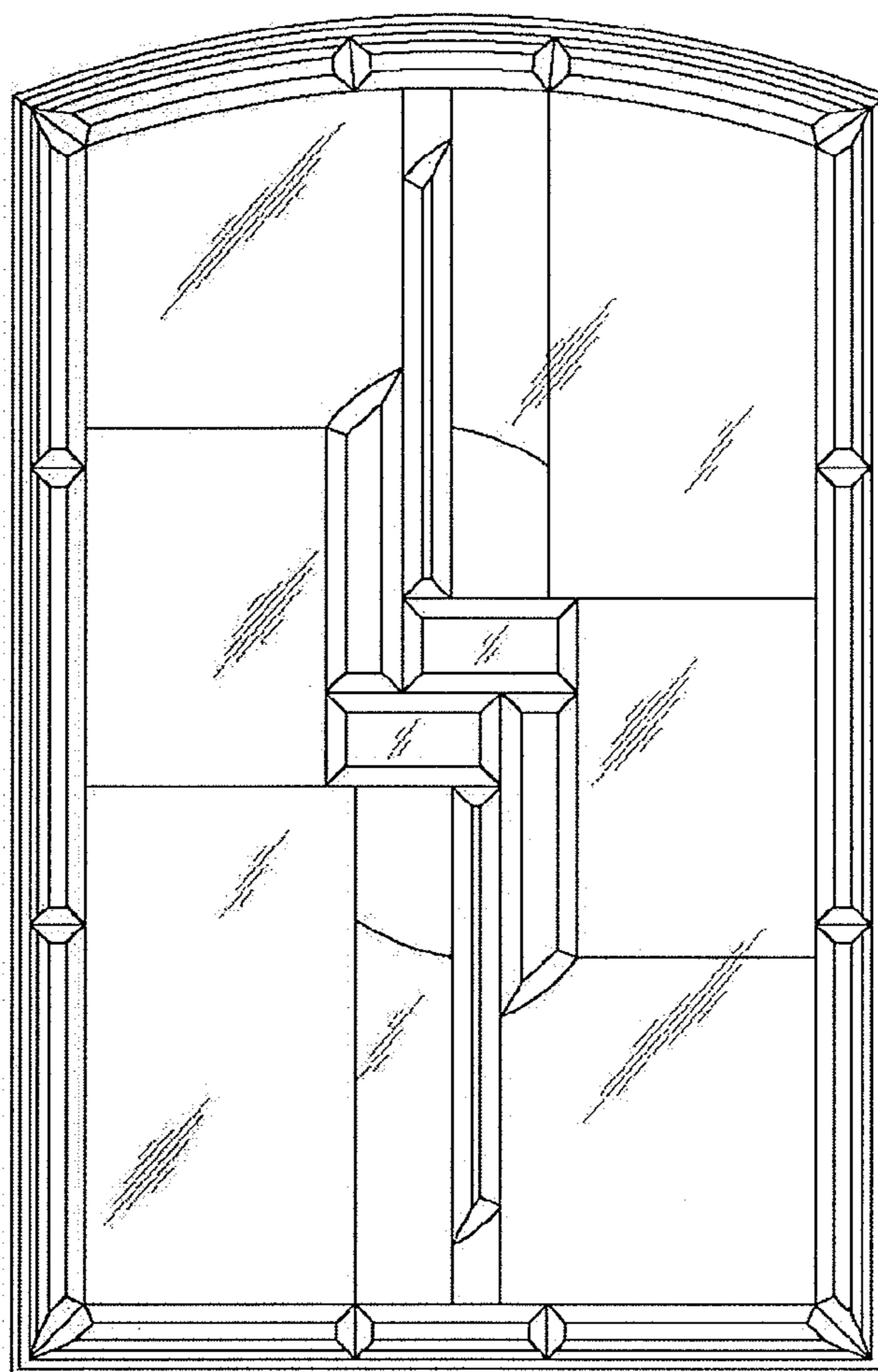


Fig. 11

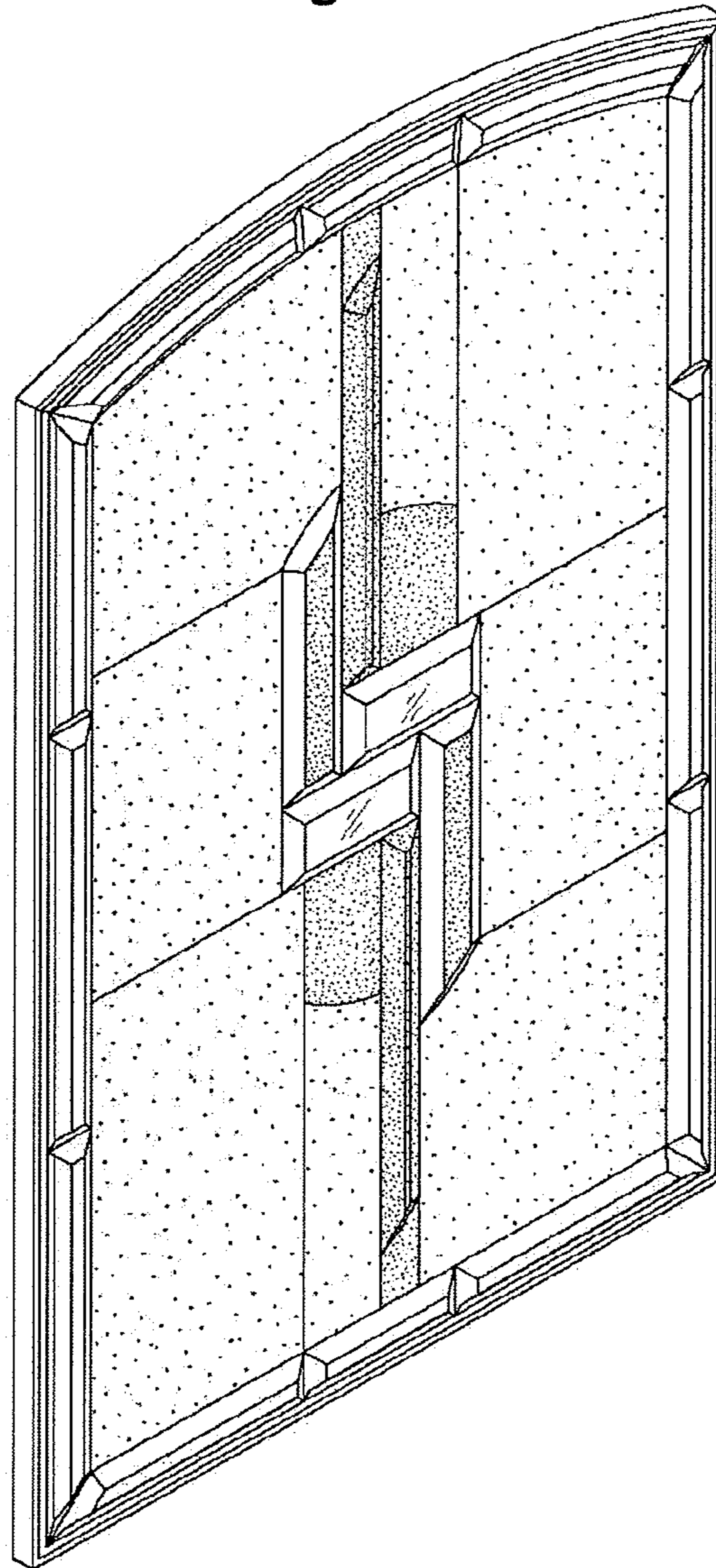


Fig. 12

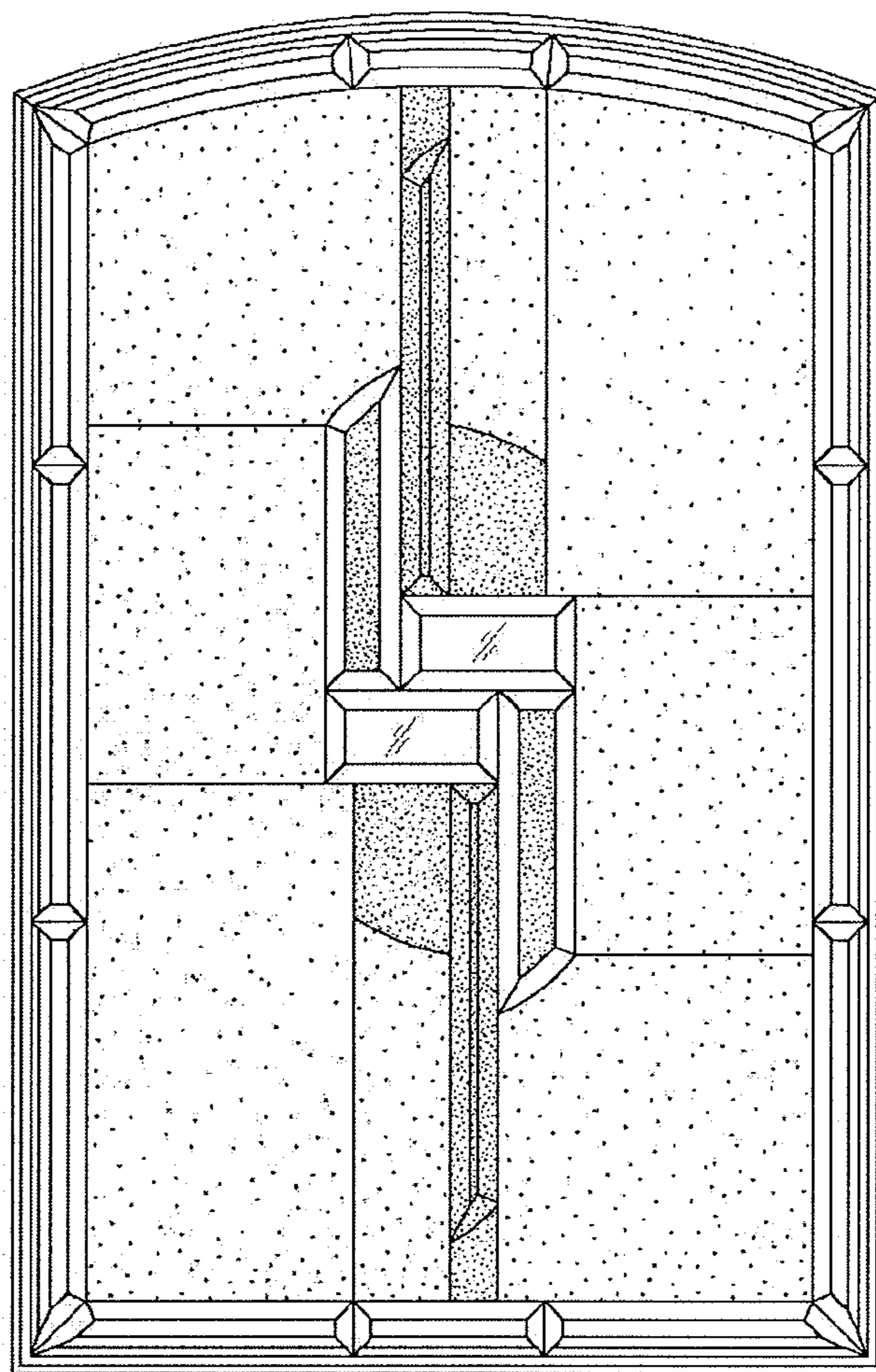


Fig. 13

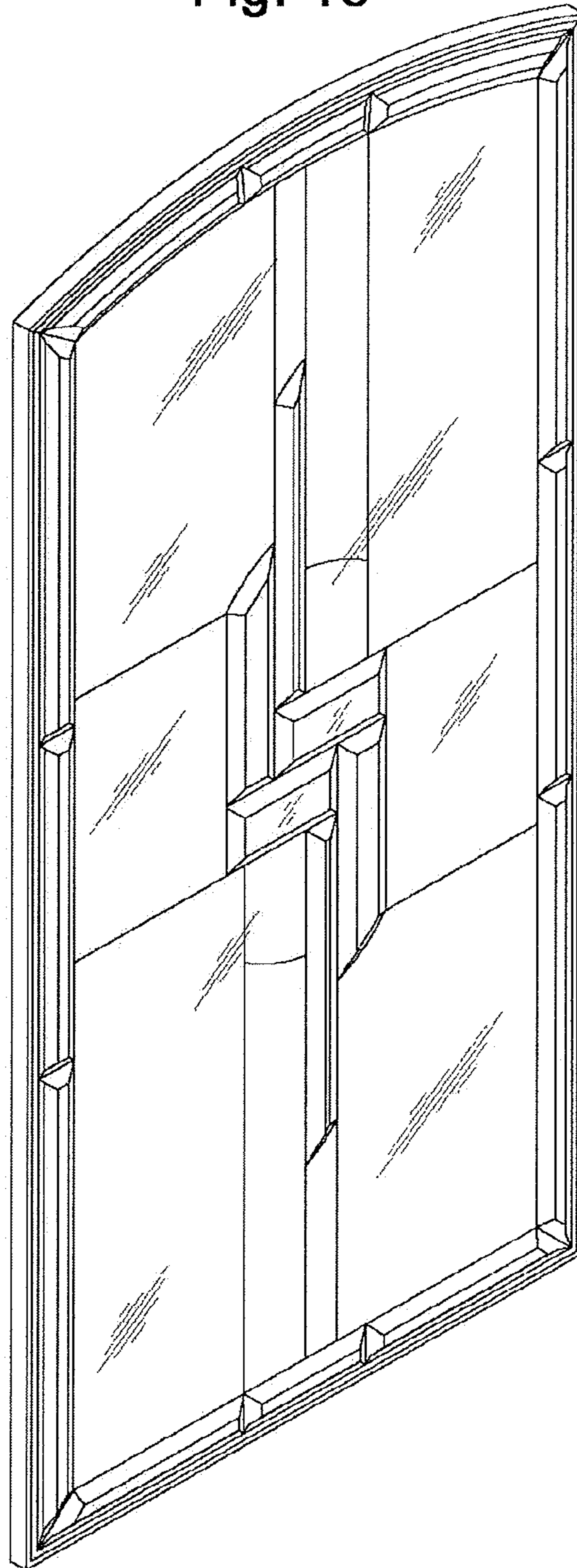


Fig. 14

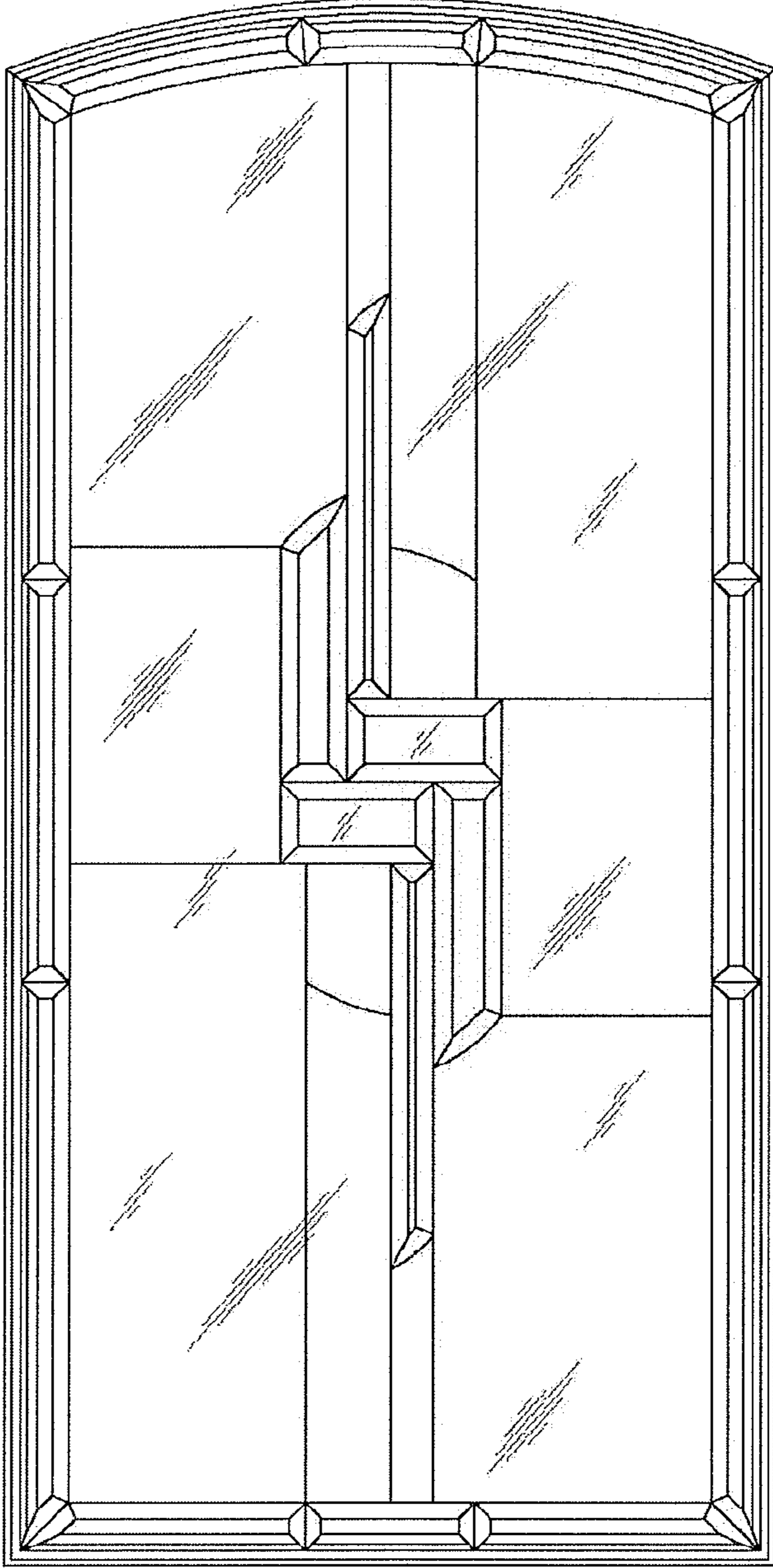


Fig. 15

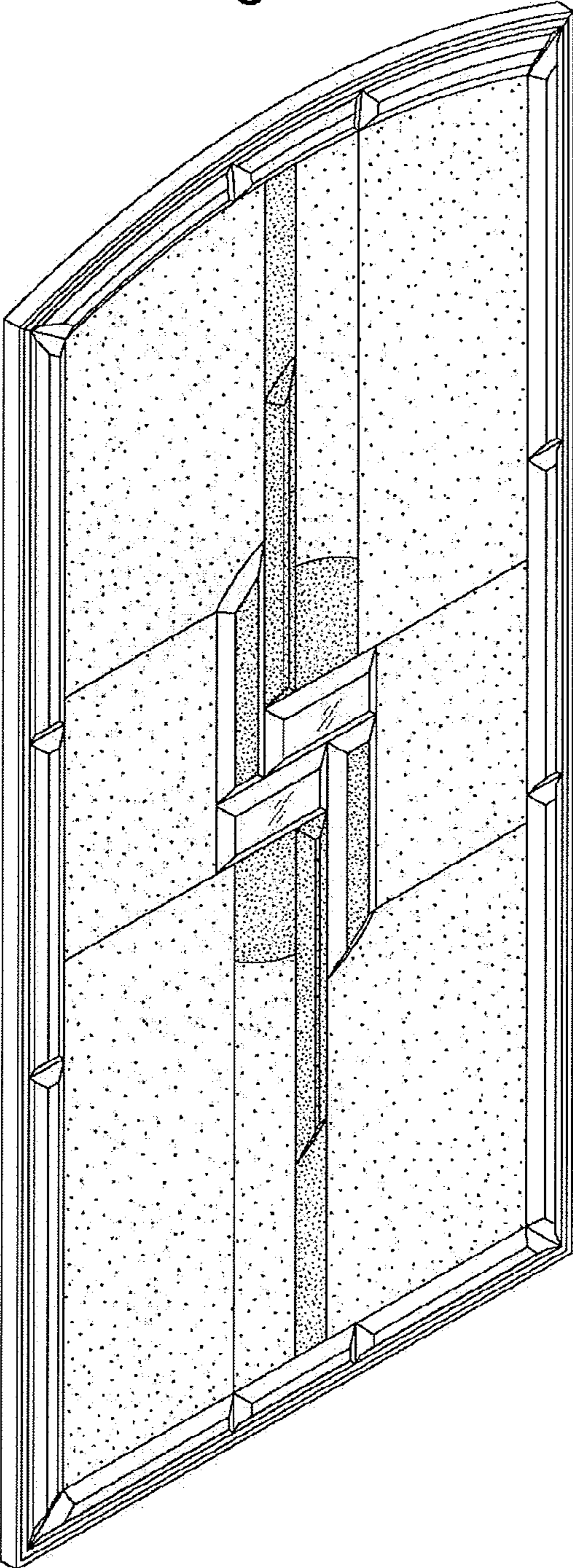


Fig. 16

