



US00D694424S

(12) **United States Design Patent**
Kwak et al.

(10) **Patent No.:** **US D694,424 S**

(45) **Date of Patent:** **** Nov. 26, 2013**

(54) **PIPETTE**

(71) Applicant: **Access Bio, Inc.**, Somerset, NJ (US)

(72) Inventors: **Joon Hyeok Kwak**, Belle Mead, NJ (US); **Tae-Hee Koo**, North Brunswick, NJ (US); **Hyeonsuk Kim**, Dayton, NJ (US); **Young Ho Choi**, Belle Mead, NJ (US)

(73) Assignee: **Access Bio, Inc.**, Somerset, NJ (US)

(**) Term: **14 Years**

(21) Appl. No.: **29/440,920**

(22) Filed: **Dec. 28, 2012**

(51) **LOC (9) Cl.** **24-02**

(52) **U.S. Cl.**
USPC **D24/222**

(58) **Field of Classification Search**
USPC D24/216, 222–226, 231, 232, 186, 169,
D24/108, 112–115, 117, 121, 127, 130;
D10/81; 422/521, 501–503; 73/863.32,
73/864.01, 864.16, 864.17, 864.14,
73/864.21; 436/180; D9/690, 724
See application file for complete search history.

(56) **References Cited**

U.S. PATENT DOCUMENTS

2,237,213 A 4/1941 Brown
2,540,360 A * 2/1951 Ulvild 73/864.15
D216,169 S * 11/1969 Vaillancourt D24/114

3,938,392 A 2/1976 Rodrigues
D250,599 S * 12/1978 St. Amand D24/222
4,212,204 A * 7/1980 St. Amand 73/864.11
D257,791 S * 1/1981 Parker D24/222
D268,131 S * 3/1983 St. Amand D24/222
4,779,768 A 10/1988 St. Amand
D299,956 S * 2/1989 Saint-Amand D24/222
D303,151 S 8/1989 Saint-Amand
D333,705 S * 3/1993 Garren et al. D24/222
D339,868 S * 9/1993 Garren et al. D24/222
D357,324 S * 4/1995 Bartal D24/222
D362,387 S * 9/1995 Shumer D24/115
D373,827 S * 9/1996 Polaniec D24/222
D401,698 S 11/1998 Daniels
D565,192 S * 3/2008 Tajima D24/222
2011/0129396 A1 6/2011 Fish

* cited by examiner

Primary Examiner — Anhdao Doan

(74) *Attorney, Agent, or Firm* — Lucas & Mercanti LLP

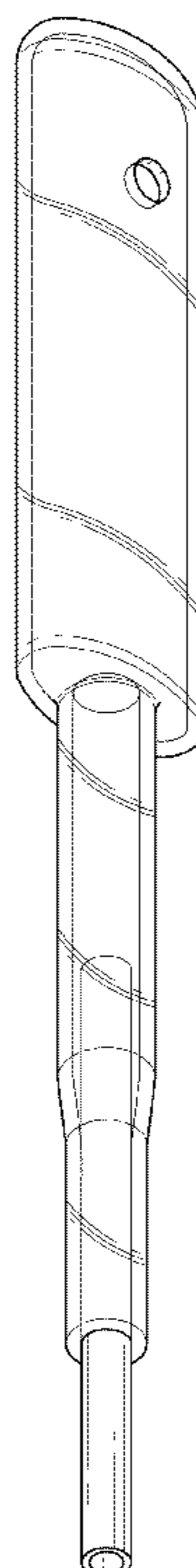
(57) **CLAIM**

The ornamental design for a pipette, as shown and described.

DESCRIPTION

FIG. 1 is a front perspective view of a pipette showing our new design;
FIG. 2 is a top view thereof;
FIG. 3 is a bottom view thereof;
FIG. 4 is a front view thereof;
FIG. 5 is a rear view thereof;
FIG. 6 is a side view thereof; and,
FIG. 7 is a side view thereof.

1 Claim, 2 Drawing Sheets



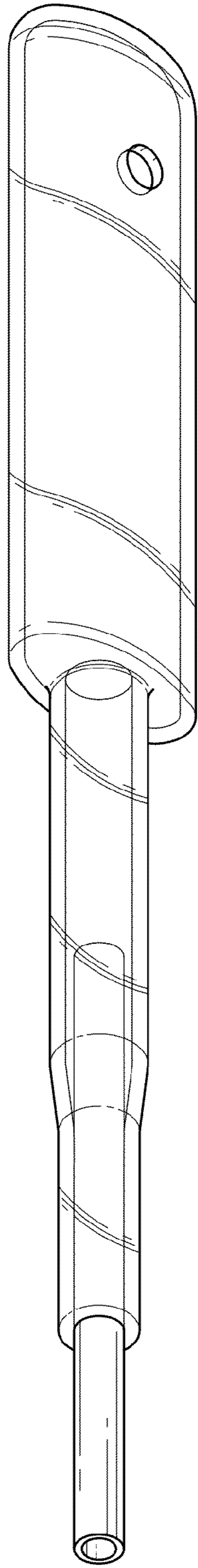


FIG. 1

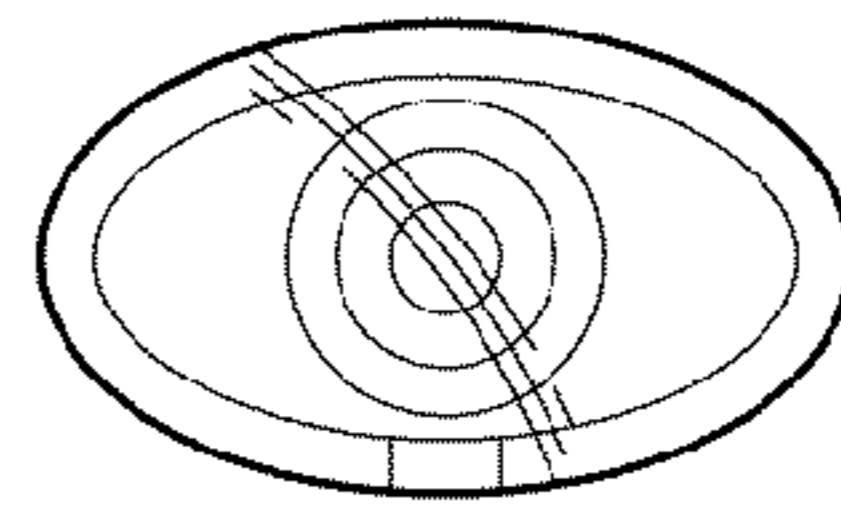


FIG. 2

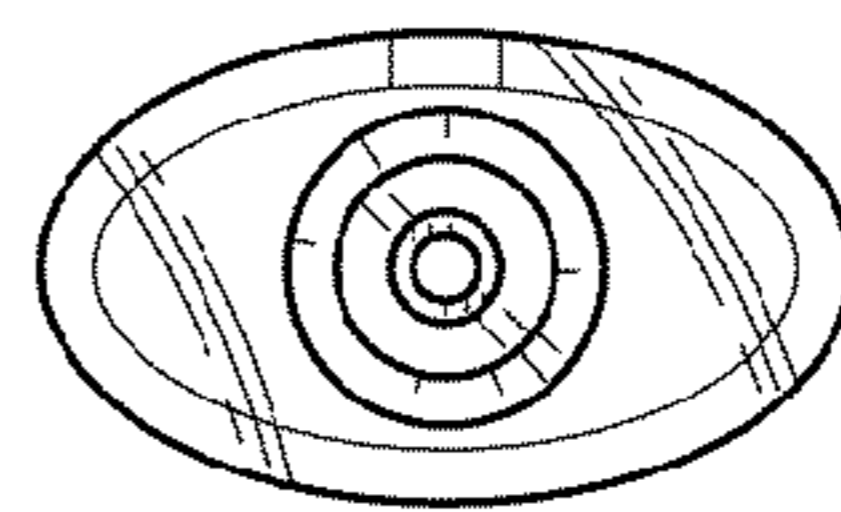


FIG. 3

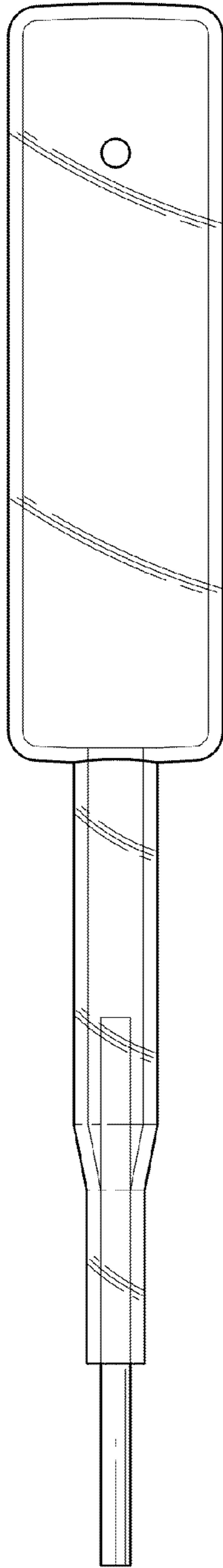


FIG. 4

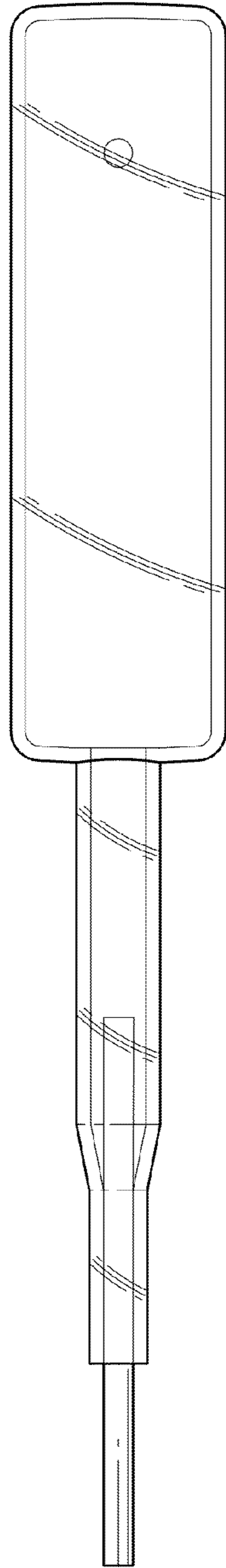


FIG. 5

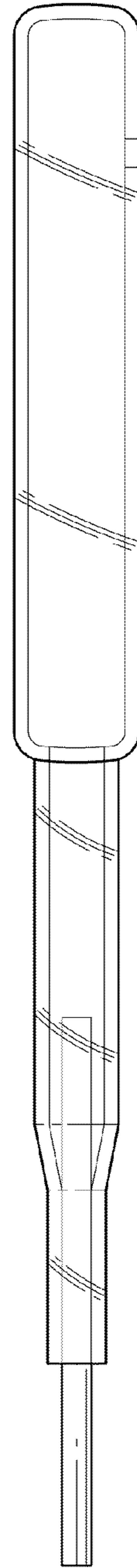


FIG. 6

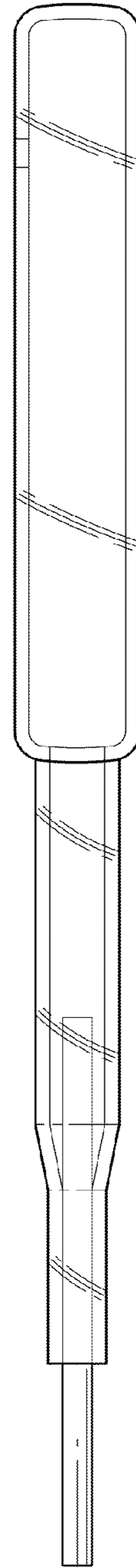


FIG. 7