

US00D694415S

(12) **United States Design Patent**
Viner et al.

(10) **Patent No.:** **US D694,415 S**

(45) **Date of Patent:** **** Nov. 26, 2013**

(54) **FOOT MASSAGER**

(71) Applicant: **V2 Fitness LLC**, Glenview, IL (US)

(72) Inventors: **Victor P. Viner**, Northfield, IL (US);
Lisa Y. Lehman, Chicago, IL (US);
Thomas O'Connor, Chicago, IL (US);
Serhiy Kulyk, Lviv (UA)

(**) Term: **14 Years**

(21) Appl. No.: **29/449,555**

(22) Filed: **Mar. 15, 2013**

(51) **LOC (9) Cl.** **28-03**

(52) **U.S. Cl.**
USPC **D24/213**

(58) **Field of Classification Search**
USPC D24/200, 211, 212, 213, 214, 215;
601/114, 120, 121, 124, 125, 130, 131,
601/134, 135, 136, 137
See application file for complete search history.

(56) **References Cited**

U.S. PATENT DOCUMENTS

2,895,469 A * 7/1959 Regley 601/131
2,988,084 A * 6/1961 Douglas 601/80

D387,482 S * 12/1997 Khan D28/8.1
D413,985 S * 9/1999 Martin et al. D24/211
D485,010 S * 1/2004 Crawford D28/8.1
D504,954 S * 5/2005 Park D24/215
D527,144 S * 8/2006 Crawford et al. D28/8.1
D610,695 S * 2/2010 Forte D24/211
7,851,425 B2 * 12/2010 Baquete et al. 510/141
D668,385 S * 10/2012 Huljak et al. D28/8.1

* cited by examiner

Primary Examiner — Sandra Snapp

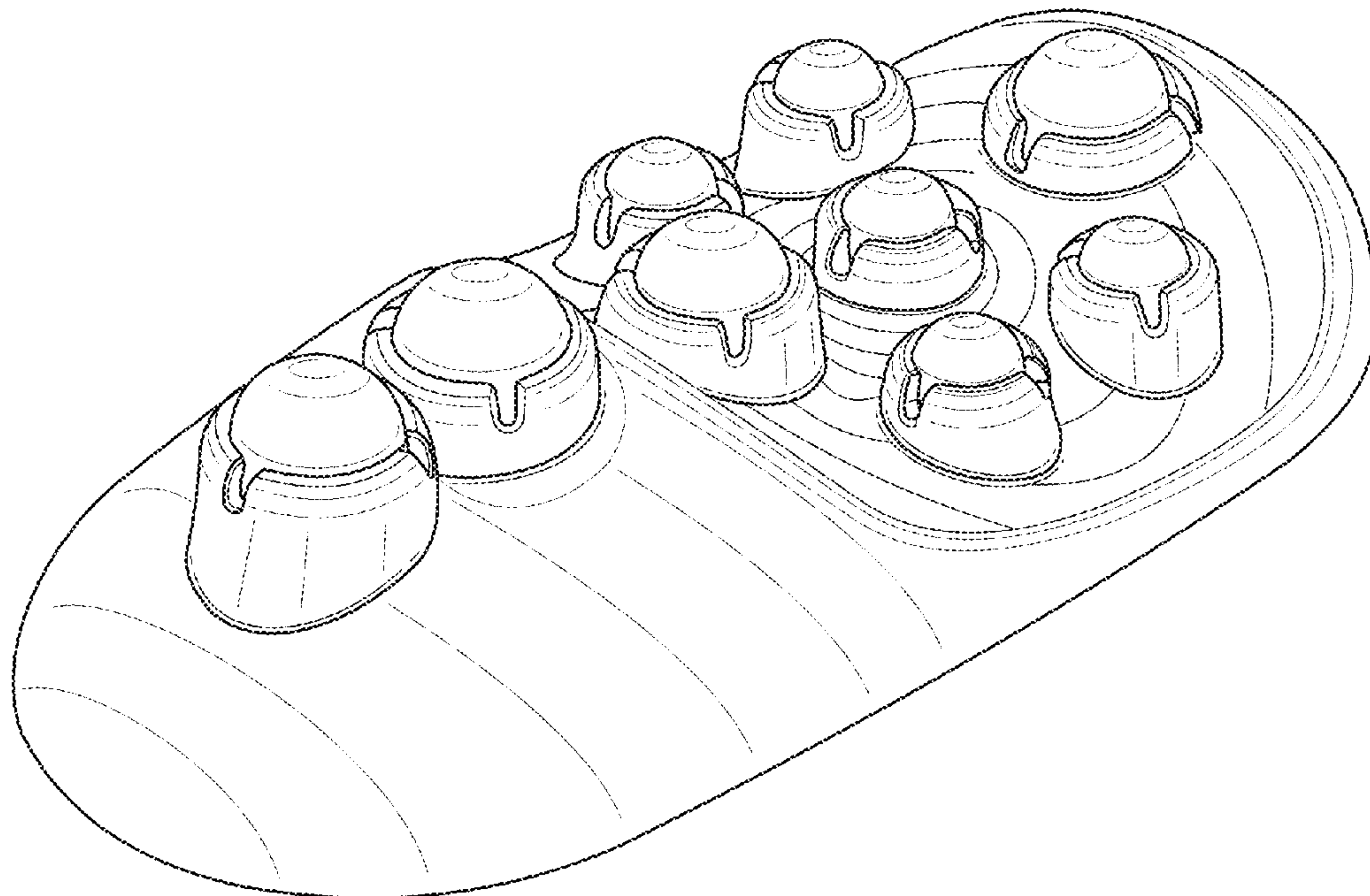
(57) **CLAIM**

We claim the ornamental design for the foot massager, as shown and described.

DESCRIPTION

FIG. 1 is a first perspective view of the foot massager of the present invention.
FIG. 2 is a rear view of the invention shown in FIG. 1.
FIG. 3 is a front view of the invention shown in FIG. 1.
FIG. 4 is a first side view of the invention shown in FIG. 1.
FIG. 5 is a second side view of the invention shown in FIG. 1.
FIG. 6 is a top view of the invention shown in FIG. 1; and,
FIG. 7 is a bottom view of the invention shown in FIG. 1.
The ornamental design which is claimed is shown in solid lines in the drawings.

1 Claim, 7 Drawing Sheets



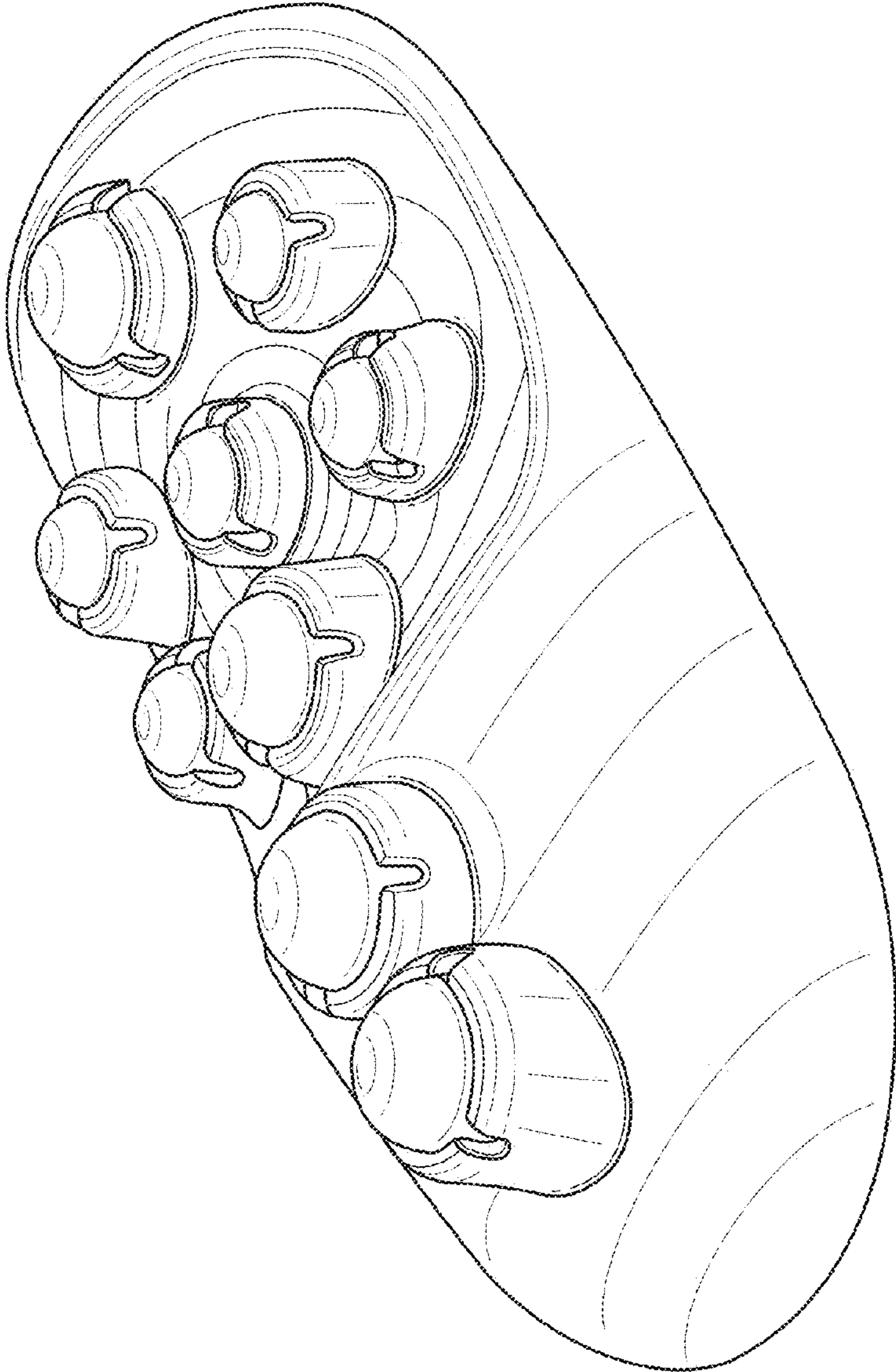


FIG. 1

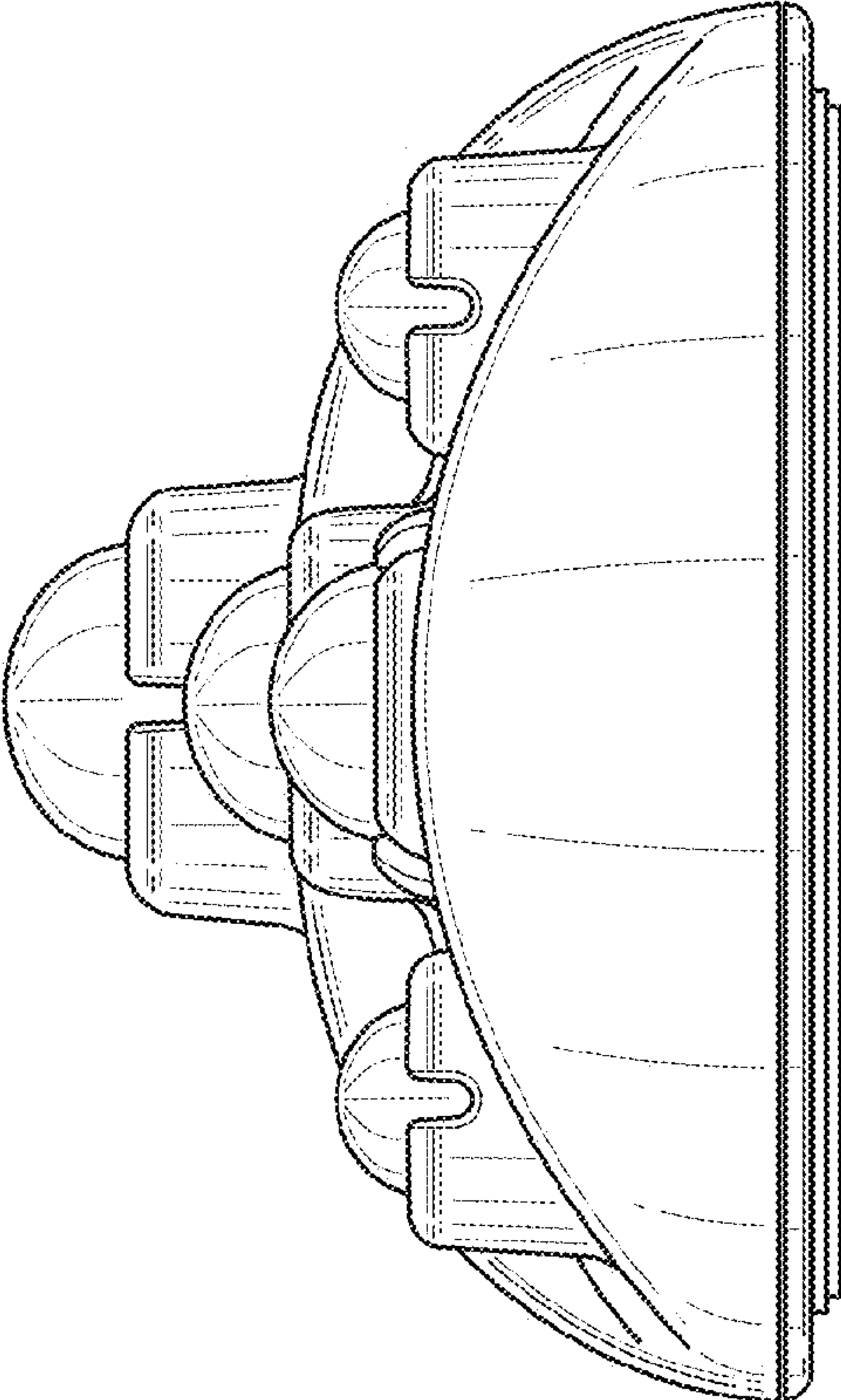


FIG. 2

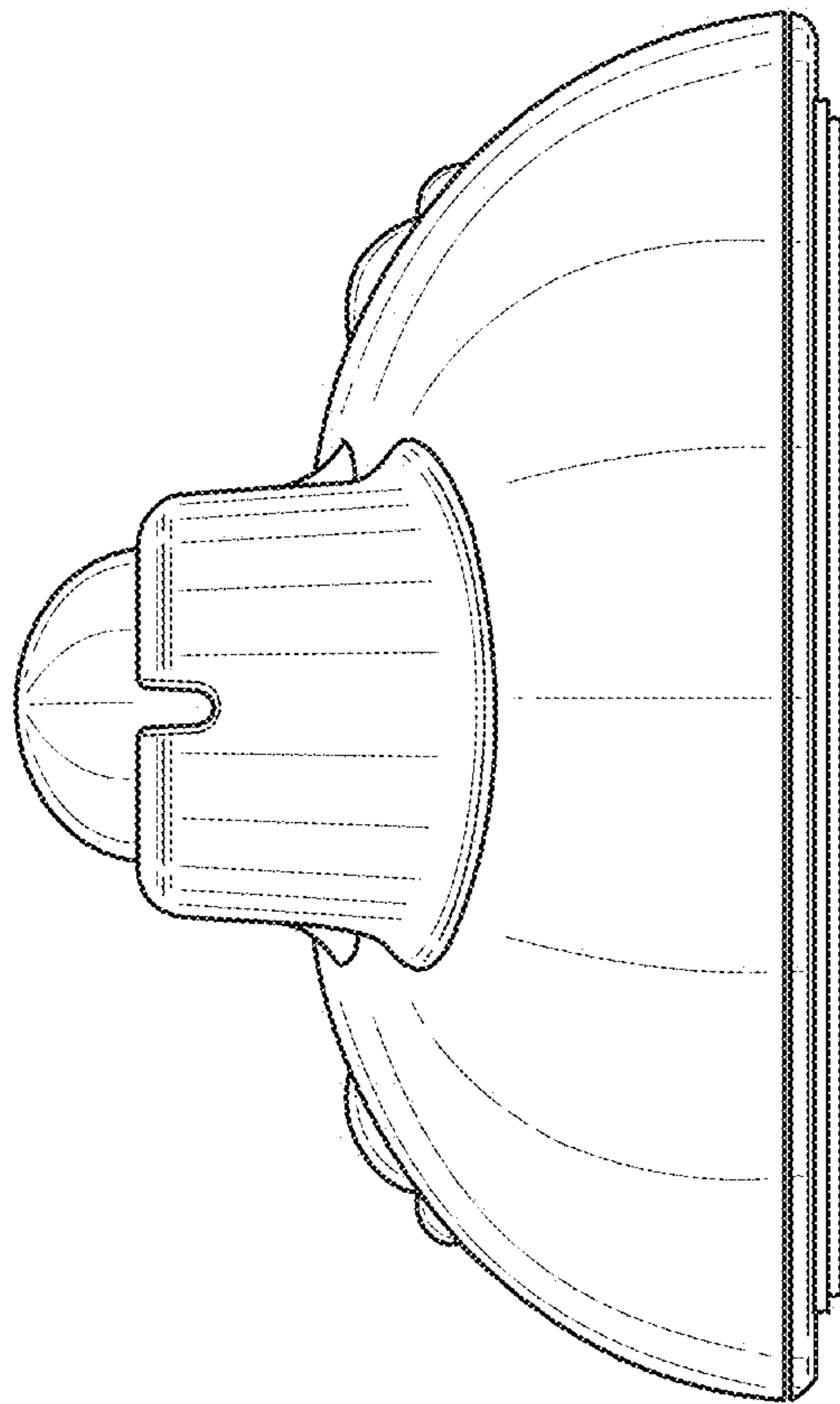


FIG. 3

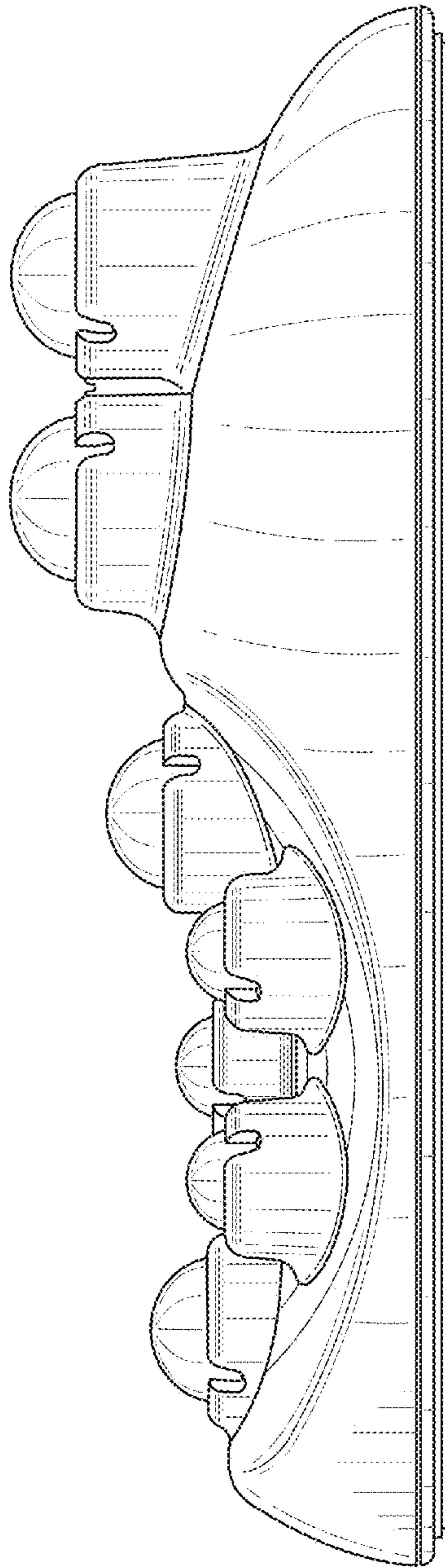


FIG. 4

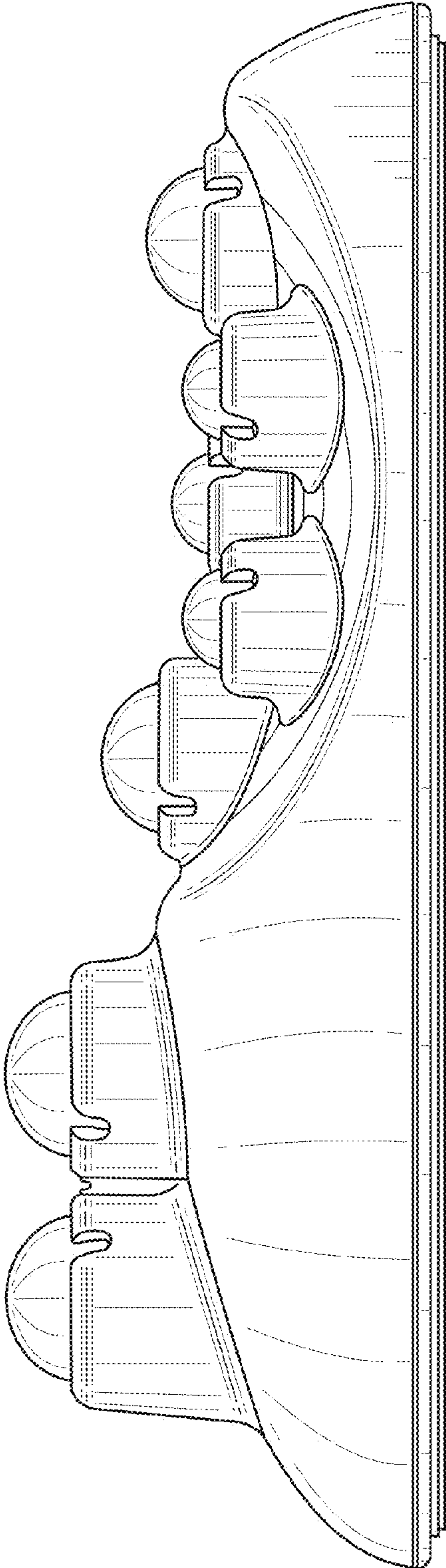


FIG. 5

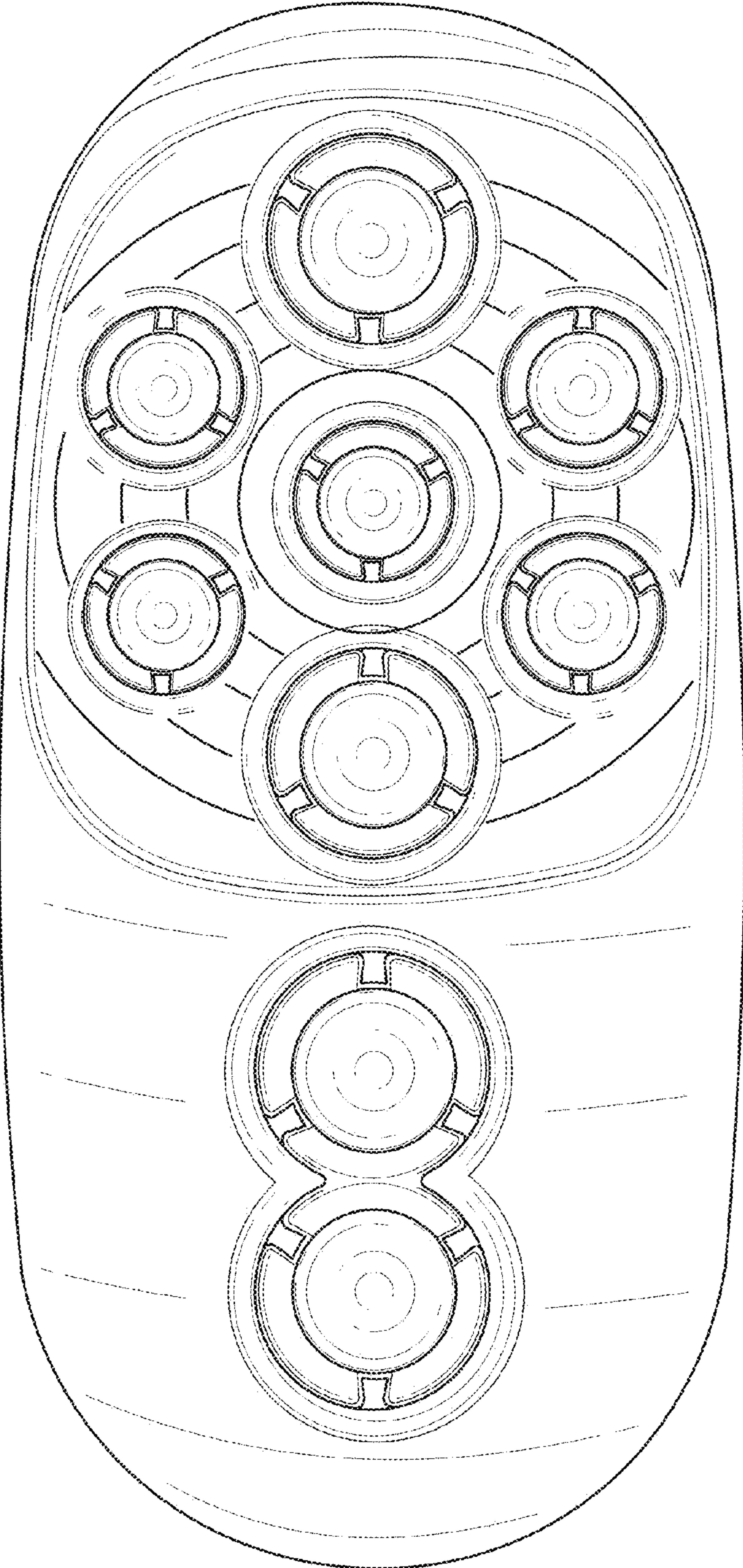


FIG. 6

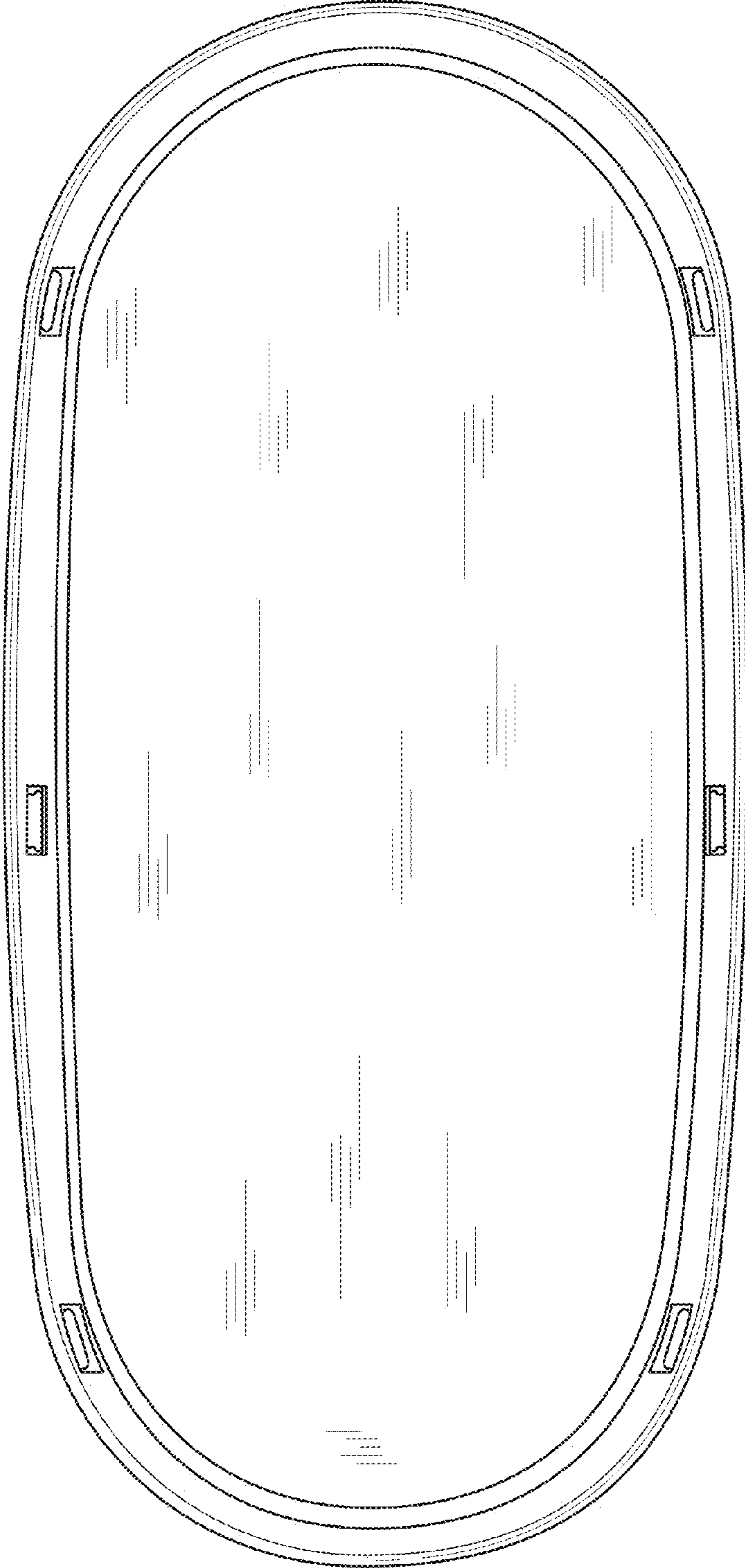


FIG. 7