



US00D694405S

(12) **United States Design Patent**
Khalaj

(10) **Patent No.:** **US D694,405 S**

(45) **Date of Patent:** **** Nov. 26, 2013**

(54) **SYRINGE LUER LOCK**

(76) Inventor: **Ben M. Khalaj**, Lake Forest, CA (US)

(**) Term: **14 Years**

(21) Appl. No.: **29/395,767**

(22) Filed: **Mar. 27, 2012**

(51) **LOC (9) Cl.** **24-02**

(52) **U.S. Cl.**
USPC **D24/130**

(58) **Field of Classification Search**

USPC D24/127-131, 112-114, 133, 186;
606/181, 185; 604/264, 272, 115, 232,
604/187, 158, 164.08, 192, 263, 163, 181,
604/184, 198, 227, 533; 600/101, 139, 143;
128/200.24, 207.14, 207.15;
285/331-332.1

See application file for complete search history.

(56) **References Cited**

U.S. PATENT DOCUMENTS

4,329,987 A * 5/1982 Rogers et al. 604/533
D314,050 S * 1/1991 Sone D24/129
6,673,059 B2 * 1/2004 Guala 604/533
6,893,056 B2 * 5/2005 Guala 285/332.1
D526,411 S * 8/2006 Easley D24/150
D544,600 S * 6/2007 Wentling D24/130
D625,003 S * 10/2010 Stephens D24/129
D625,004 S * 10/2010 McGrady et al. D24/129

D626,648 S * 11/2010 Ahlgren D24/130
D630,319 S * 1/2011 Humes D24/129
7,914,519 B2 * 3/2011 Moran et al. 604/533
8,177,771 B2 * 5/2012 Butts et al. 604/533
8,328,765 B2 * 12/2012 Daily et al. 604/192

* cited by examiner

Primary Examiner — David Muller

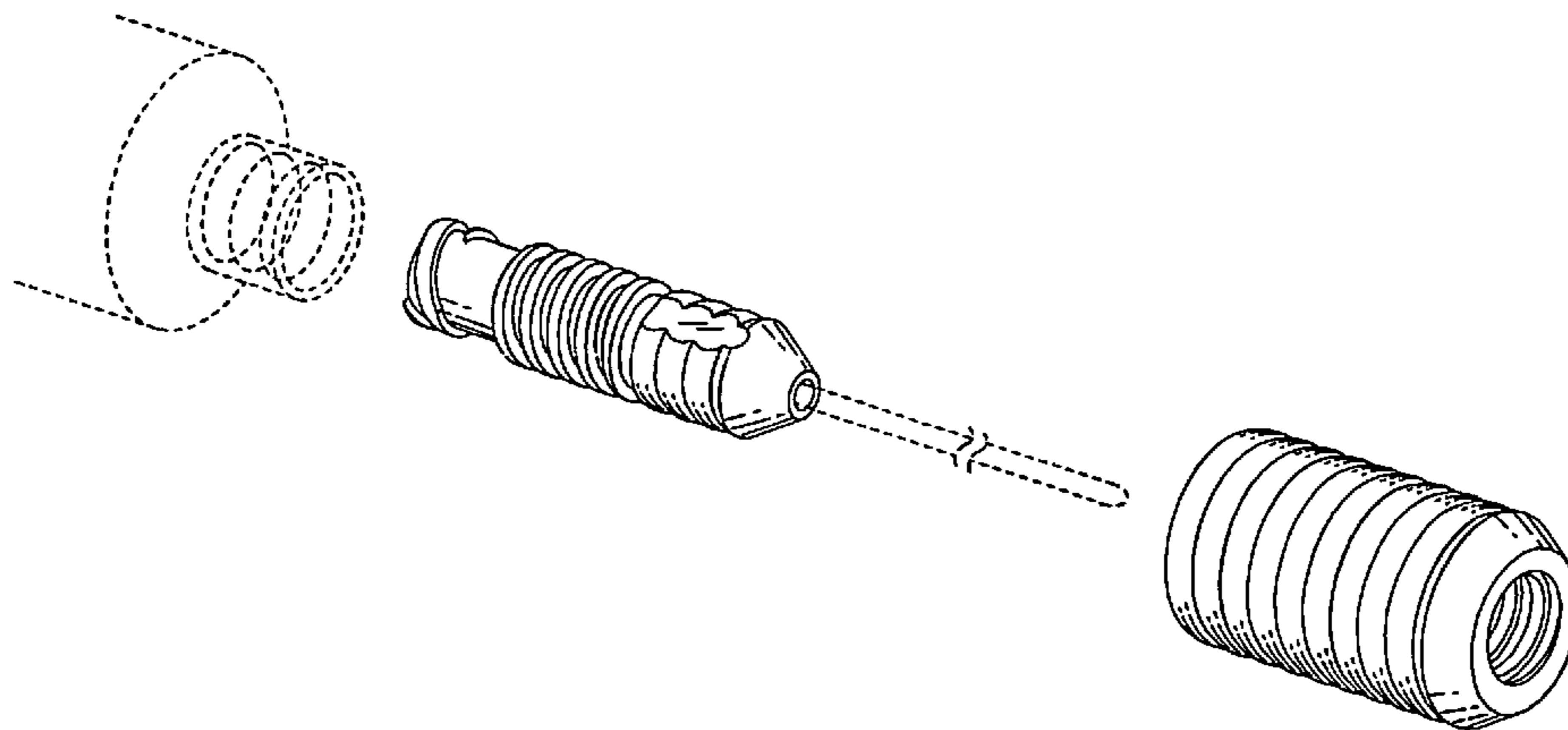
(57) **CLAIM**

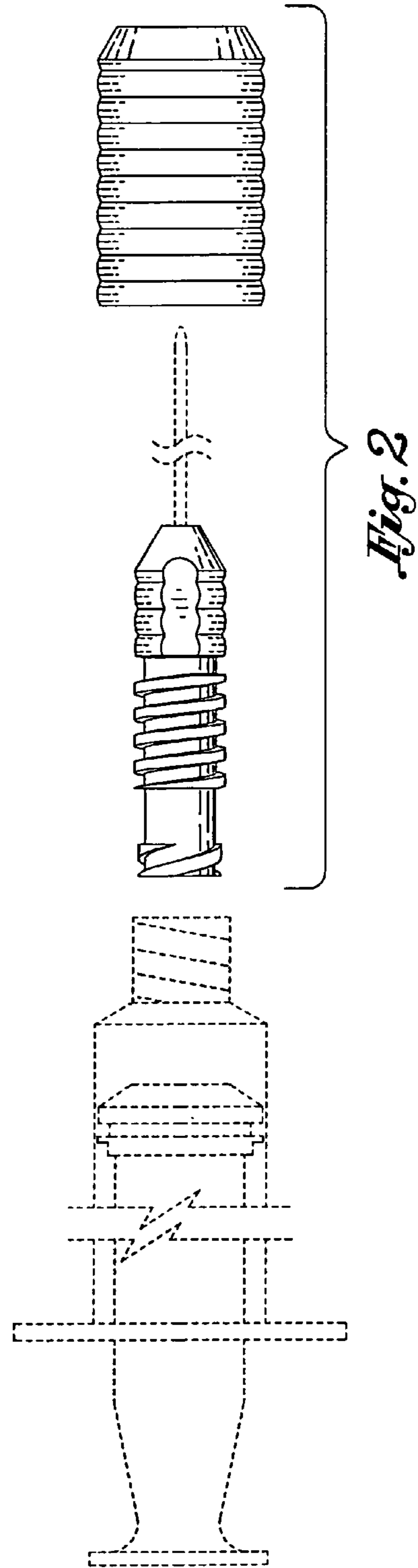
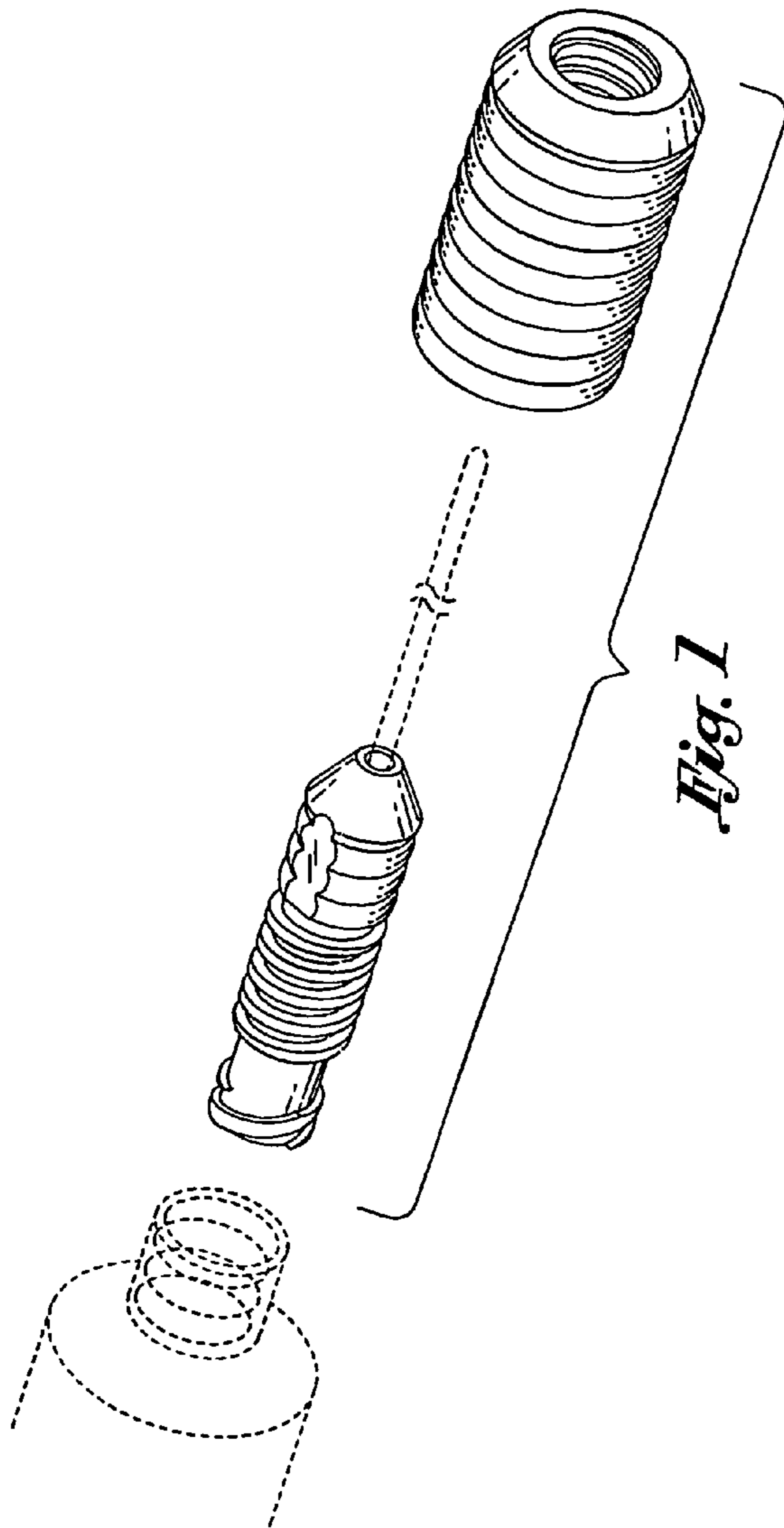
The ornamental design for a syringe luer lock, as shown & described.

DESCRIPTION

FIG. 1 is a perspective exploded view of a syringe luer lock showing my new design;
FIG. 2 is a top elevation view thereof;
FIG. 3 is a right side elevation view thereof;
FIG. 4 is a front elevation view thereof, with the components shown side by side;
FIG. 5 is a left side elevation view thereof;
FIG. 6 is a rear elevation view thereof, with the components shown side by side;
FIG. 7 is bottom elevation view thereof;
FIG. 8 is a top elevation view of the syringe luer lock of FIG. 2, but shown with the parts assembled; and,
FIG. 9 is a section view taken from line 9-9 in FIG. 8.
The broken lines shown in all the views are for illustrative purposes only and form no part of the claimed design.

1 Claim, 3 Drawing Sheets





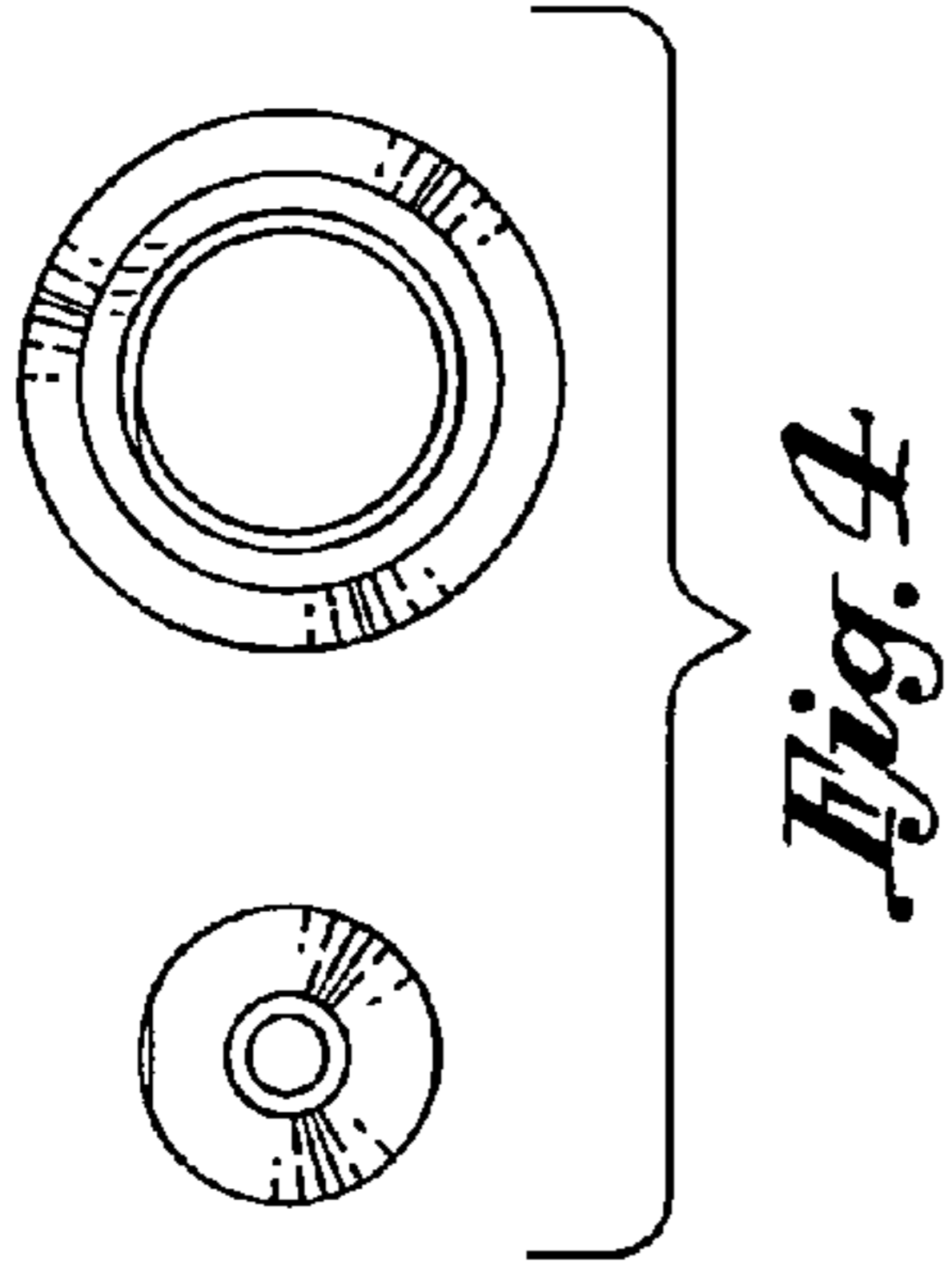


Fig. 4

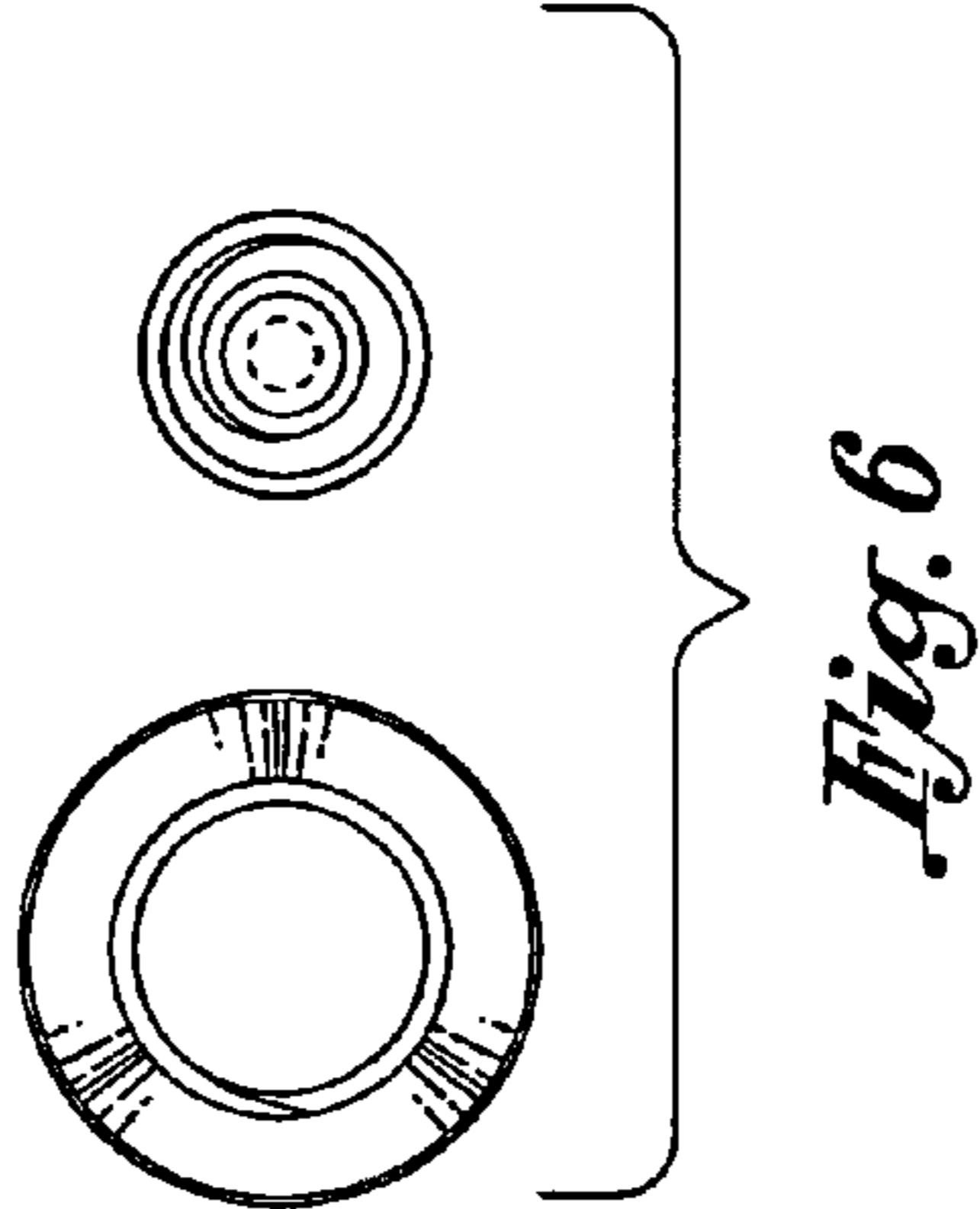


Fig. 6

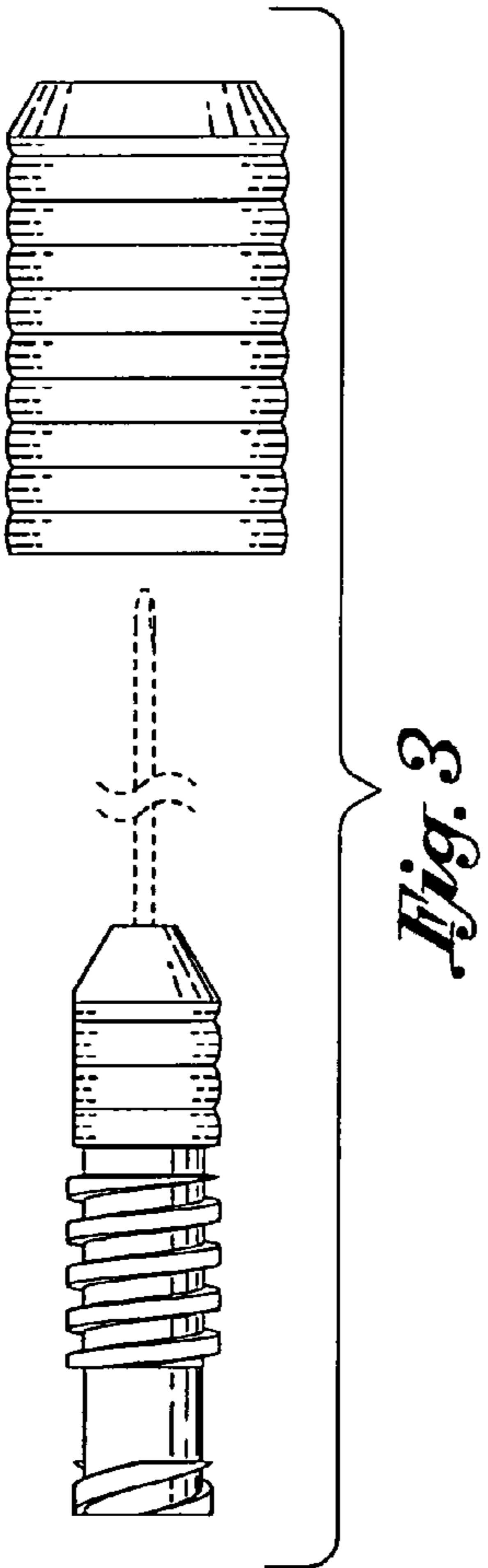


Fig. 3

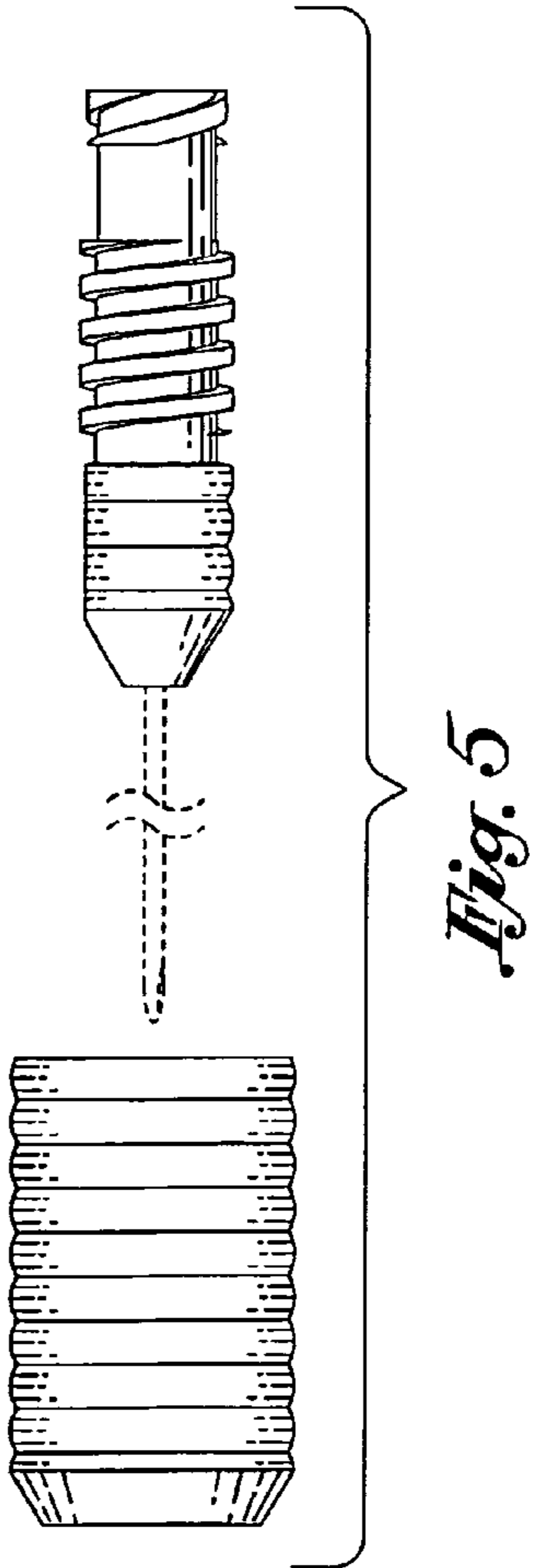


Fig. 5

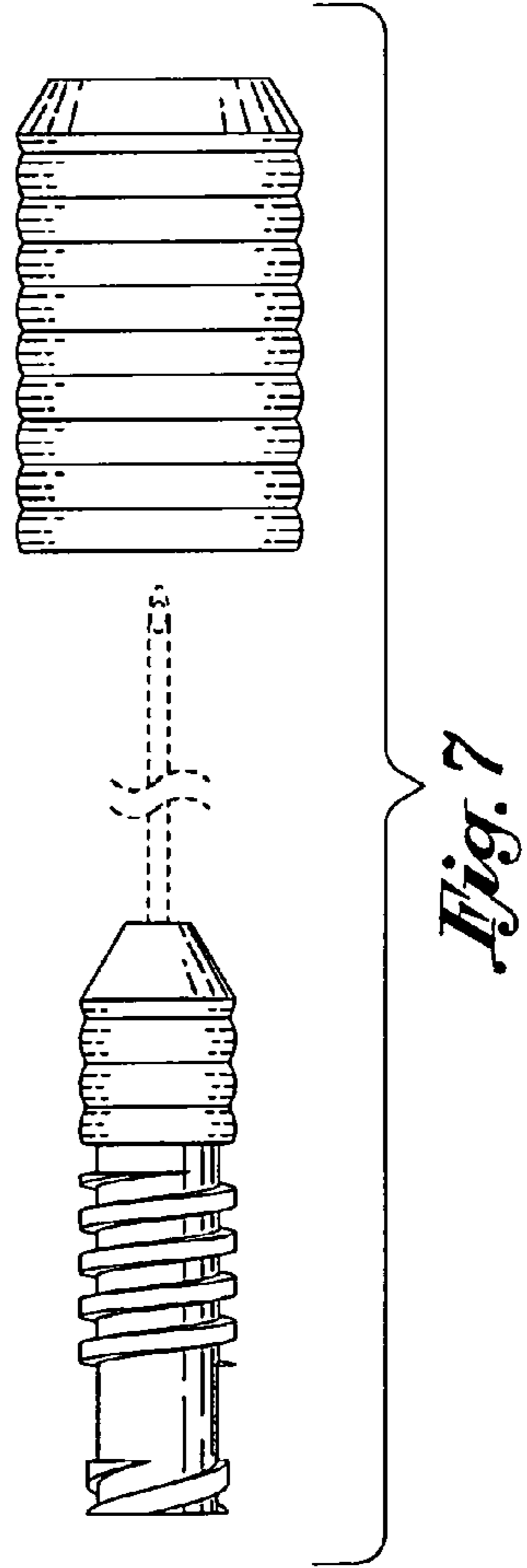


Fig. 7

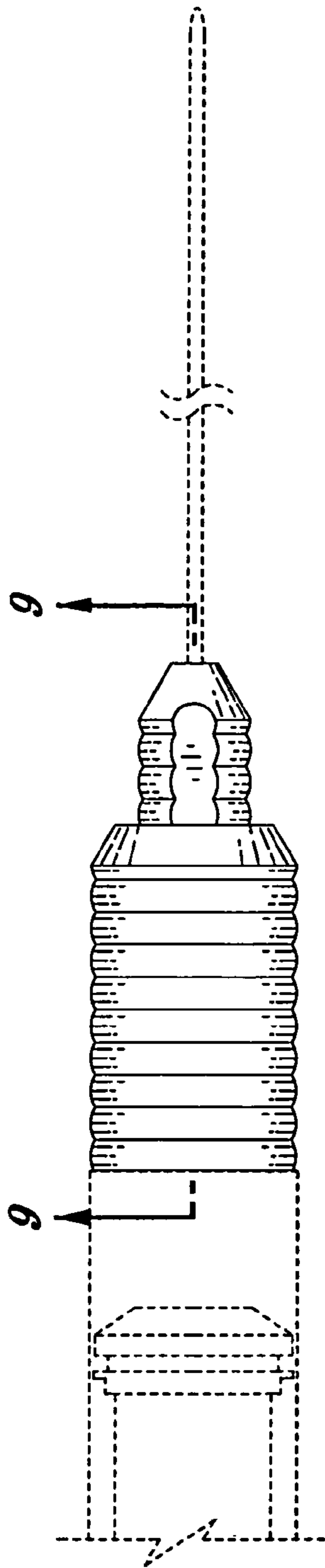


Fig. 8

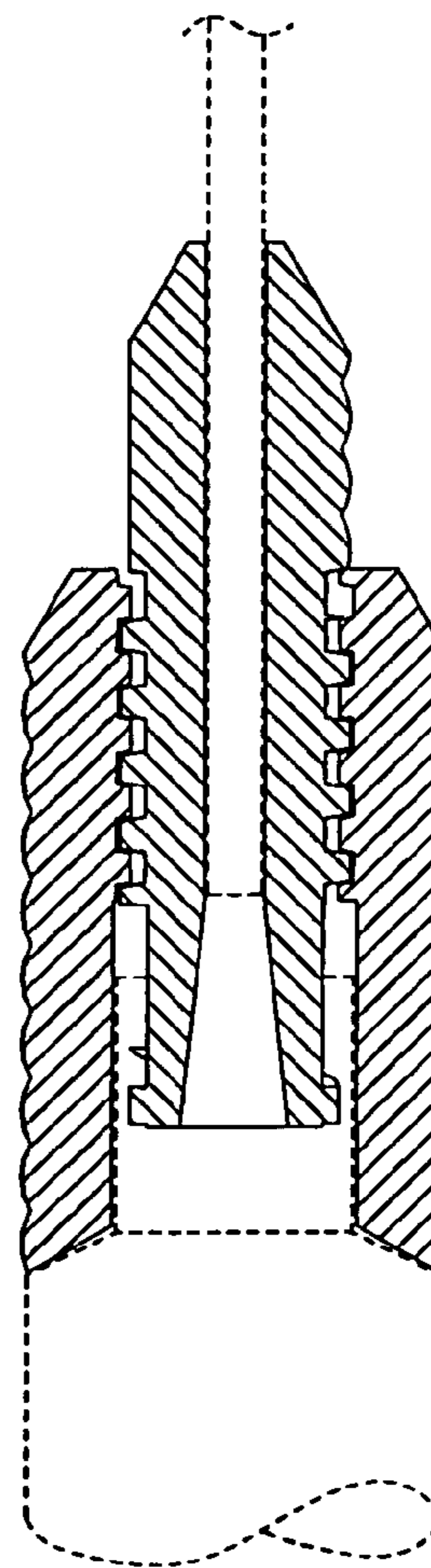


Fig. 9