



US00D694403S

(12) **United States Design Patent**  
**Lensch**

(10) **Patent No.:** **US D694,403 S**

(45) **Date of Patent:** **\*\* Nov. 26, 2013**

(54) **EYE DROP BOTTLE WITH POSITIONING DEVICE**

(71) Applicant: **Keith Lensch**, Tucson, AZ (US)

(72) Inventor: **Keith Lensch**, Tucson, AZ (US)

(\*\*) Term: **14 Years**

(21) Appl. No.: **29/438,862**

(22) Filed: **Dec. 4, 2012**

(51) **LOC (9) Cl.** ..... **24-02**

(52) **U.S. Cl.**  
USPC ..... **D24/120**

(58) **Field of Classification Search**  
USPC ..... D24/120, 121, 108, 193, 113, 150;  
604/294-302, 289, 290; 4/620; 215/4,  
215/305, 328; 206/210, 828; 222/566, 575,  
222/420; D9/453  
See application file for complete search history.

(56) **References Cited**

**U.S. PATENT DOCUMENTS**

2,920,624	A *	1/1960	Lerner et al.	.....	604/301
3,246,807	A *	4/1966	Micallef	.....	222/207
D248,448	S *	7/1978	McClure et al.	.....	D24/120
4,338,936	A *	7/1982	Nelson	.....	604/295
4,474,312	A *	10/1984	Donoghue	.....	222/205

4,660,746	A *	4/1987	Wright	.....	222/207
5,007,905	A *	4/1991	Bauer	.....	604/295
D325,783	S *	4/1992	Anderson	.....	D24/193
5,127,517	A *	7/1992	Clements et al.	.....	222/207
5,246,139	A *	9/1993	Duceppe	.....	222/130
5,806,723	A *	9/1998	DuBose	.....	141/381
6,330,960	B1 *	12/2001	Faughey et al.	.....	222/205
D588,691	S *	3/2009	Perrin et al.	.....	D24/120

\* cited by examiner

*Primary Examiner* — David Muller

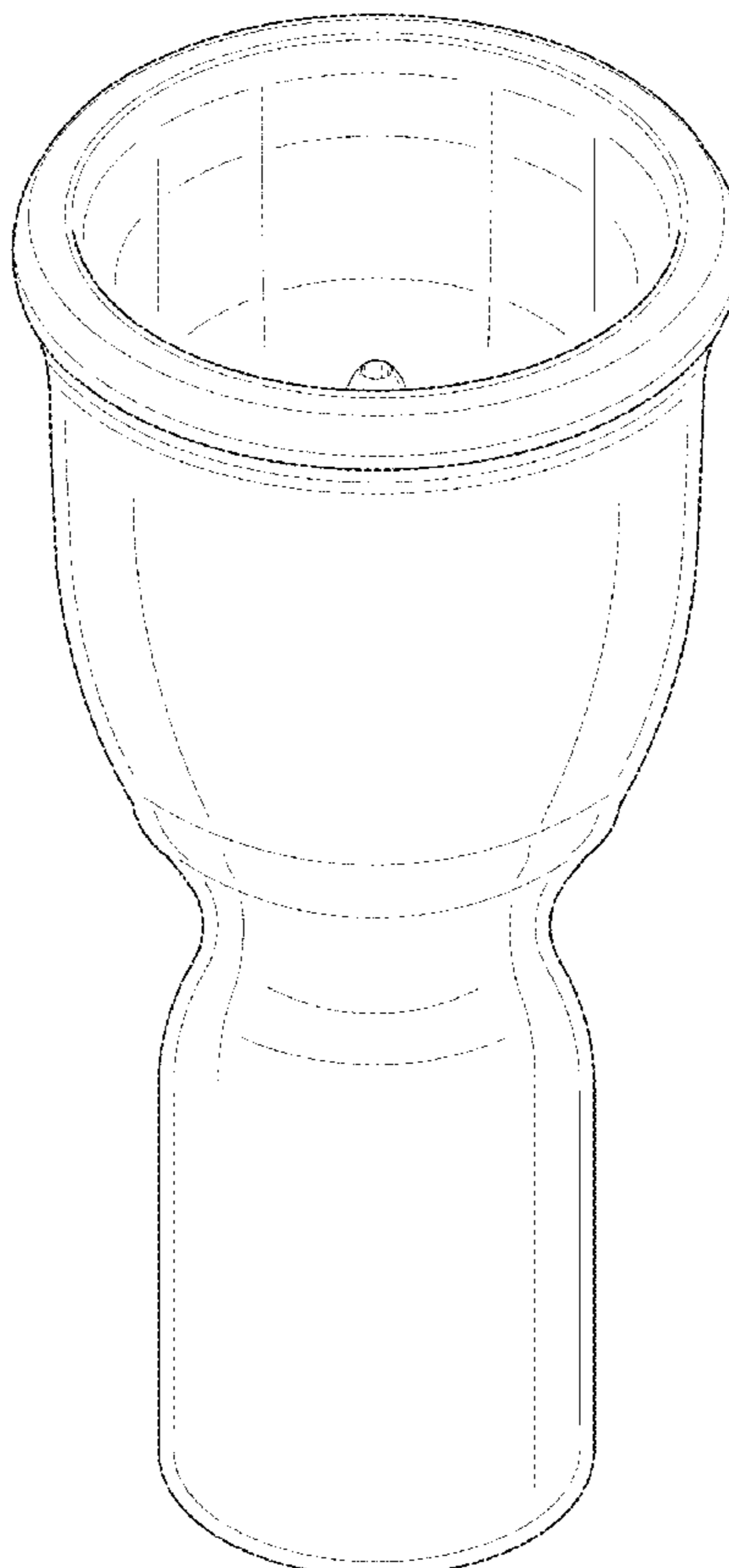
(57) **CLAIM**

The ornamental design for an eye drop bottle with positioning device, as shown and described.

**DESCRIPTION**

FIG. 1 is a perspective side view of an eye drop bottle with positioning device showing my new design;  
FIG. 2 is a side view thereof; the opposite side view being a mirror image;  
FIG. 3 is a top view thereof;  
FIG. 4 is a bottom view thereof; and,  
FIG. 5 is a cross-sectional side view thereof.  
In FIG. 2, the broken lines showing the environmental structure for purposes of illustrating the eye drop bottle with positioning device in a condition of use. The broken lines and the structure they depict form no part of the claimed design.

**1 Claim, 4 Drawing Sheets**



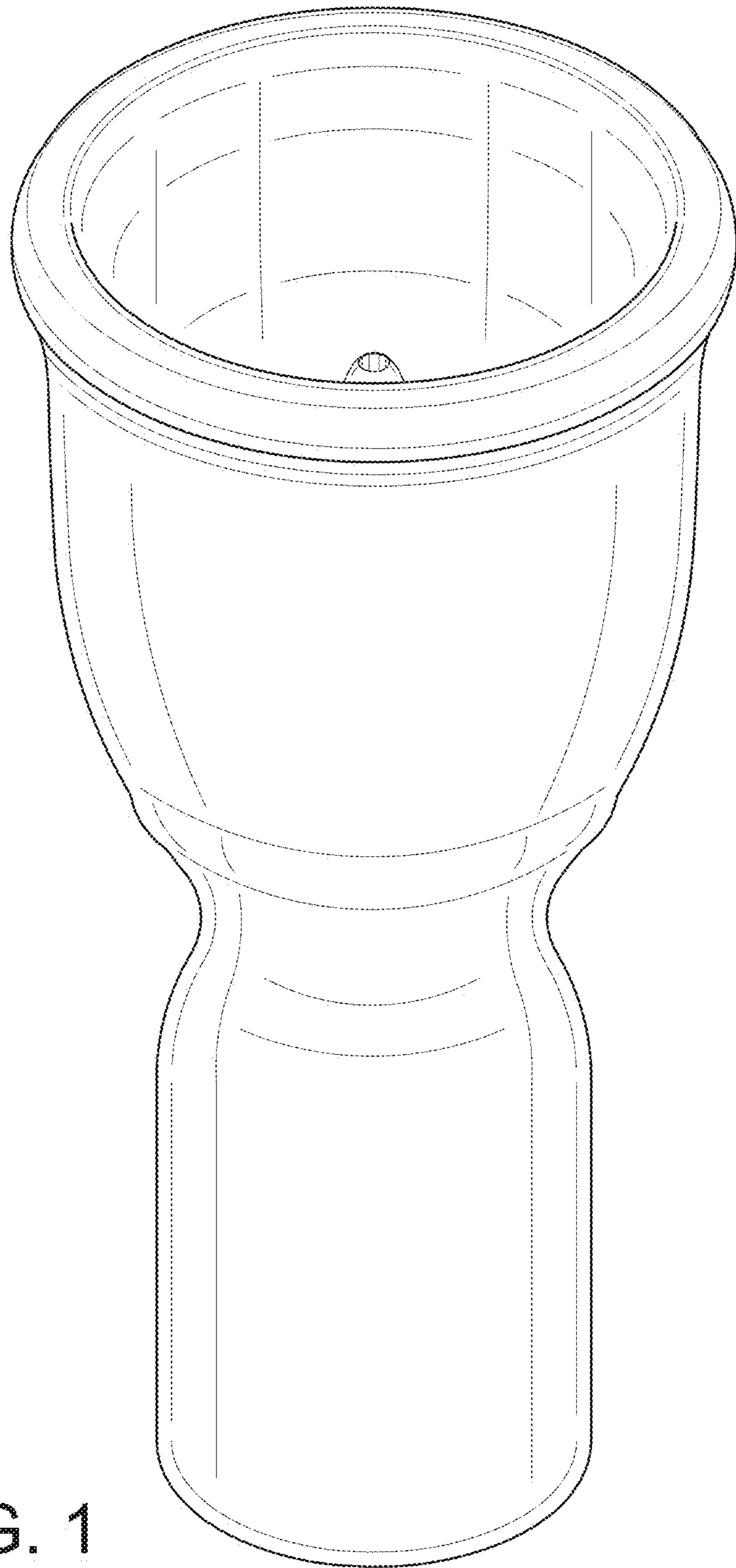


FIG. 1

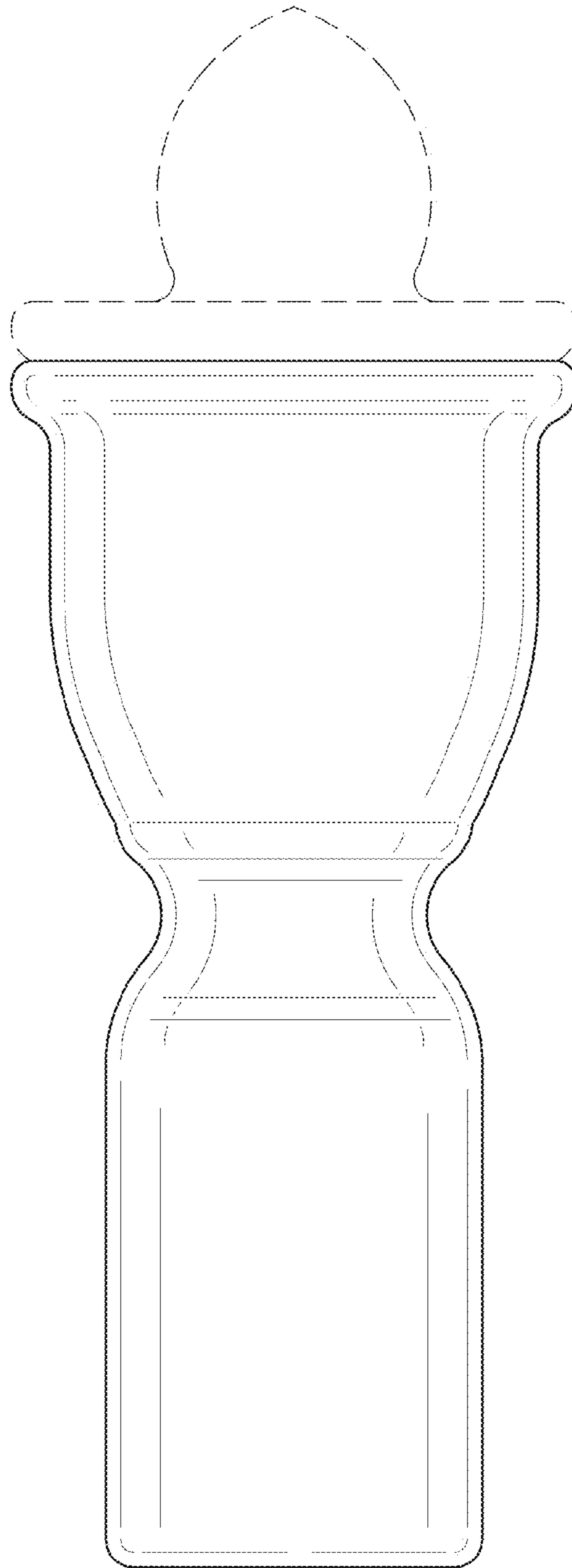


FIG. 2

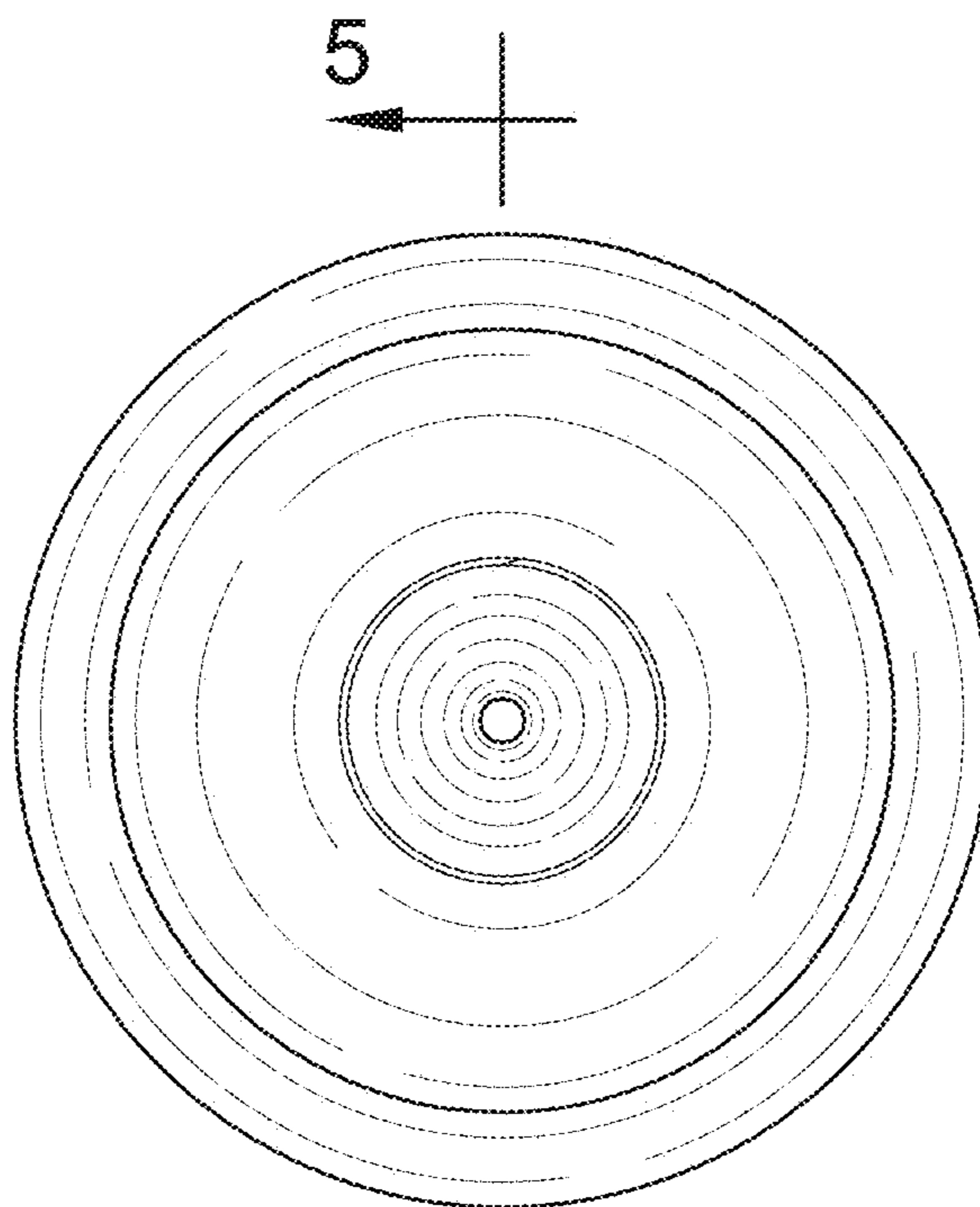


FIG. 3

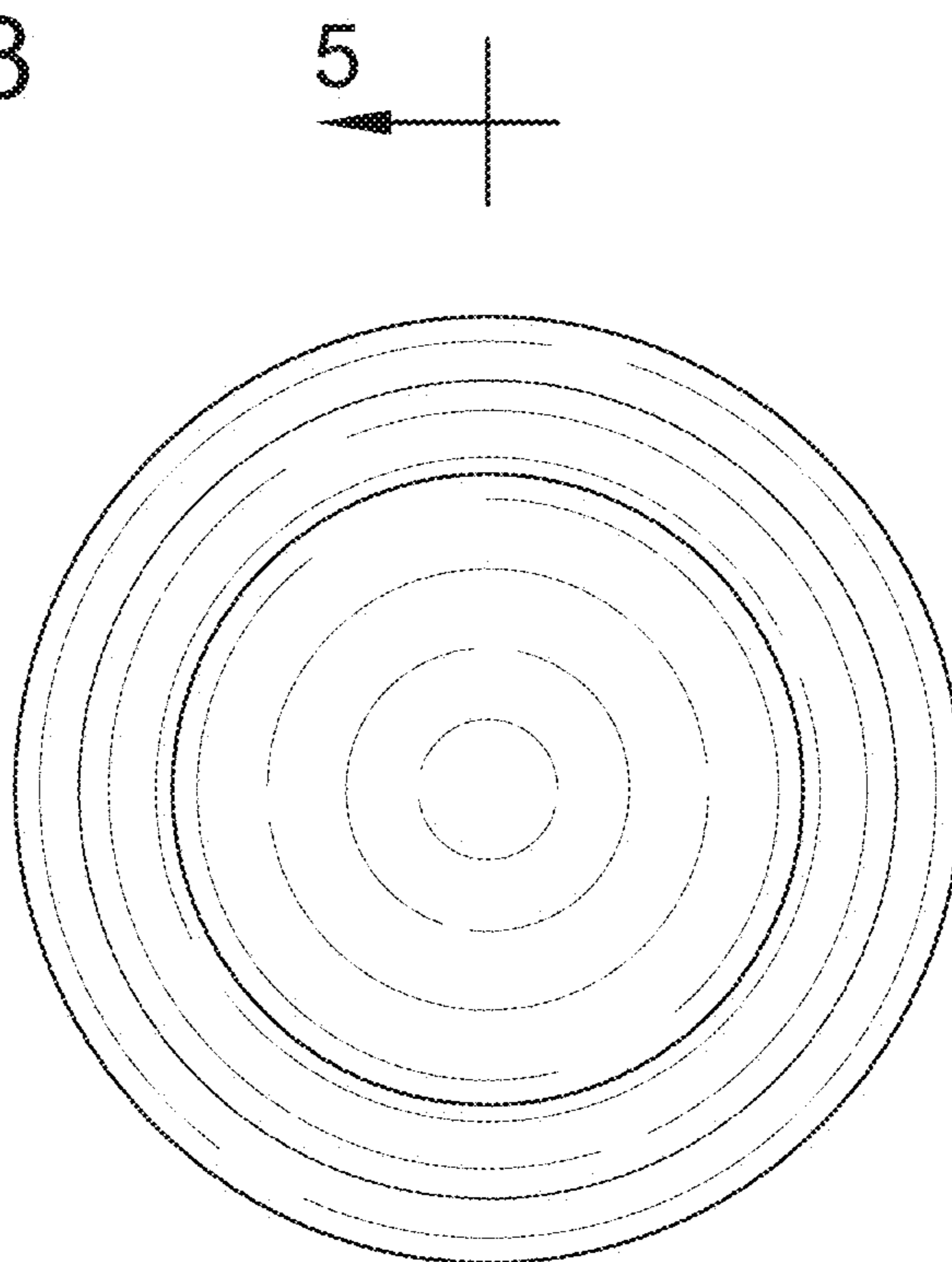


FIG. 4

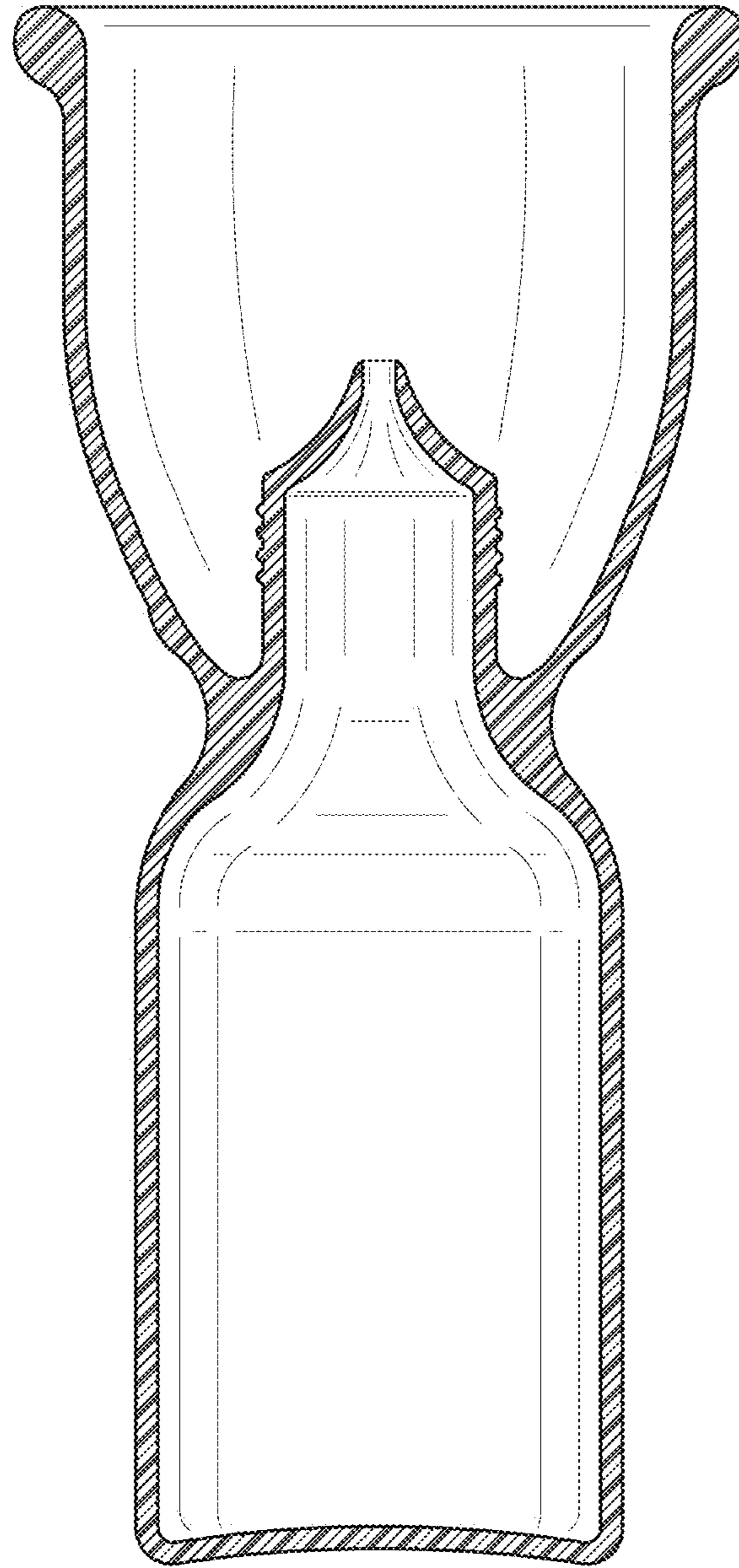


FIG. 5