



US00D694402S

(12) **United States Design Patent**
Lensch

(10) **Patent No.:** **US D694,402 S**

(45) **Date of Patent:** **** Nov. 26, 2013**

(54) **POSITIONING DEVICE FOR EYE DROP BOTTLES**

(71) Applicant: **Keith Lensch**, Tucson, AZ (US)

(72) Inventor: **Keith Lensch**, Tucson, AZ (US)

(**) Term: **14 Years**

(21) Appl. No.: **29/438,861**

(22) Filed: **Dec. 4, 2012**

(51) **LOC (9) Cl.** **24-02**

(52) **U.S. Cl.**
USPC **D24/120**

(58) **Field of Classification Search**
USPC D24/120, 121, 108, 193, 113, 150;
604/294-302, 289, 290; 4/620; 215/4,
215/305, 328; 206/210, 828; 222/566, 575,
222/420; D9/453

See application file for complete search history.

(56) **References Cited**

U.S. PATENT DOCUMENTS

3,626,942	A *	12/1971	Waldron	D24/121
3,934,590	A *	1/1976	Campagna et al.	D24/128
4,295,583	A *	10/1981	Schurr	222/566
D323,212	S *	1/1992	Crawford	D24/121

5,431,314	A *	7/1995	Bonnelye et al.	222/575
D362,623	S *	9/1995	Ma	D9/453
5,902,292	A *	5/1999	Feldman	604/295
D524,158	S *	7/2006	Caserta et al.	D9/453
D524,649	S *	7/2006	Samartgis	D9/453
D525,523	S *	7/2006	King	D9/453
7,578,808	B2 *	8/2009	Fujisato	604/289
7,758,553	B2 *	7/2010	Poisson et al.	604/295
D676,126	S *	2/2013	Hair	D24/108

* cited by examiner

Primary Examiner — David Muller

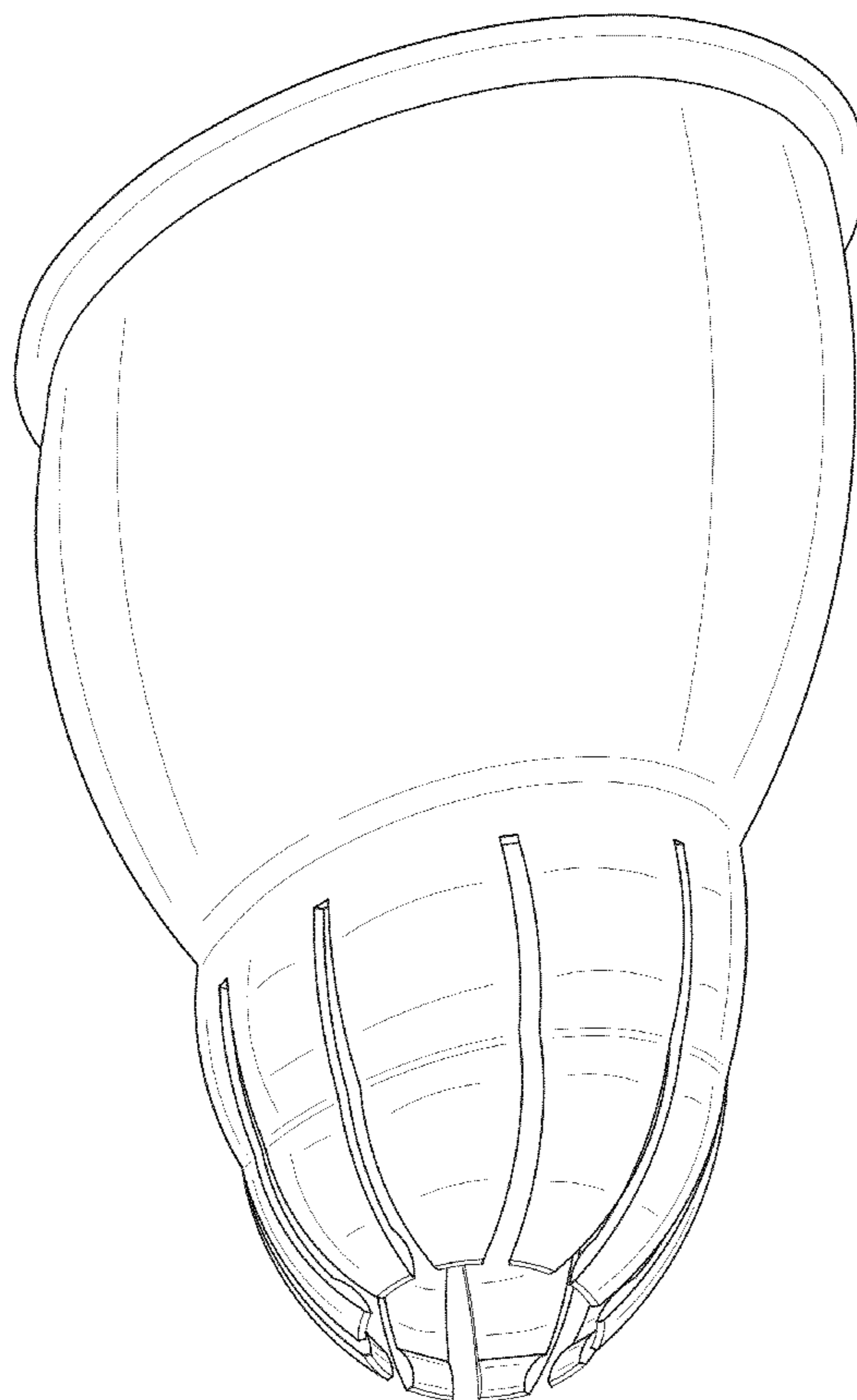
(57) **CLAIM**

The ornamental design for a positioning device for eye drop bottles, as shown and described.

DESCRIPTION

FIG. 1 is a perspective view of a positioning device for eye drop bottles showing my new design;
FIG. 2 is a front view thereof; the rear view being a mirror image;
FIG. 3 is a side view thereof; the opposite side view being a mirror image;
FIG. 4 is a top view thereof;
FIG. 5 is a bottom view thereof; and,
FIG. 6 is a cross-sectional view thereof taken along line 6-6 in FIG. 5.

1 Claim, 5 Drawing Sheets



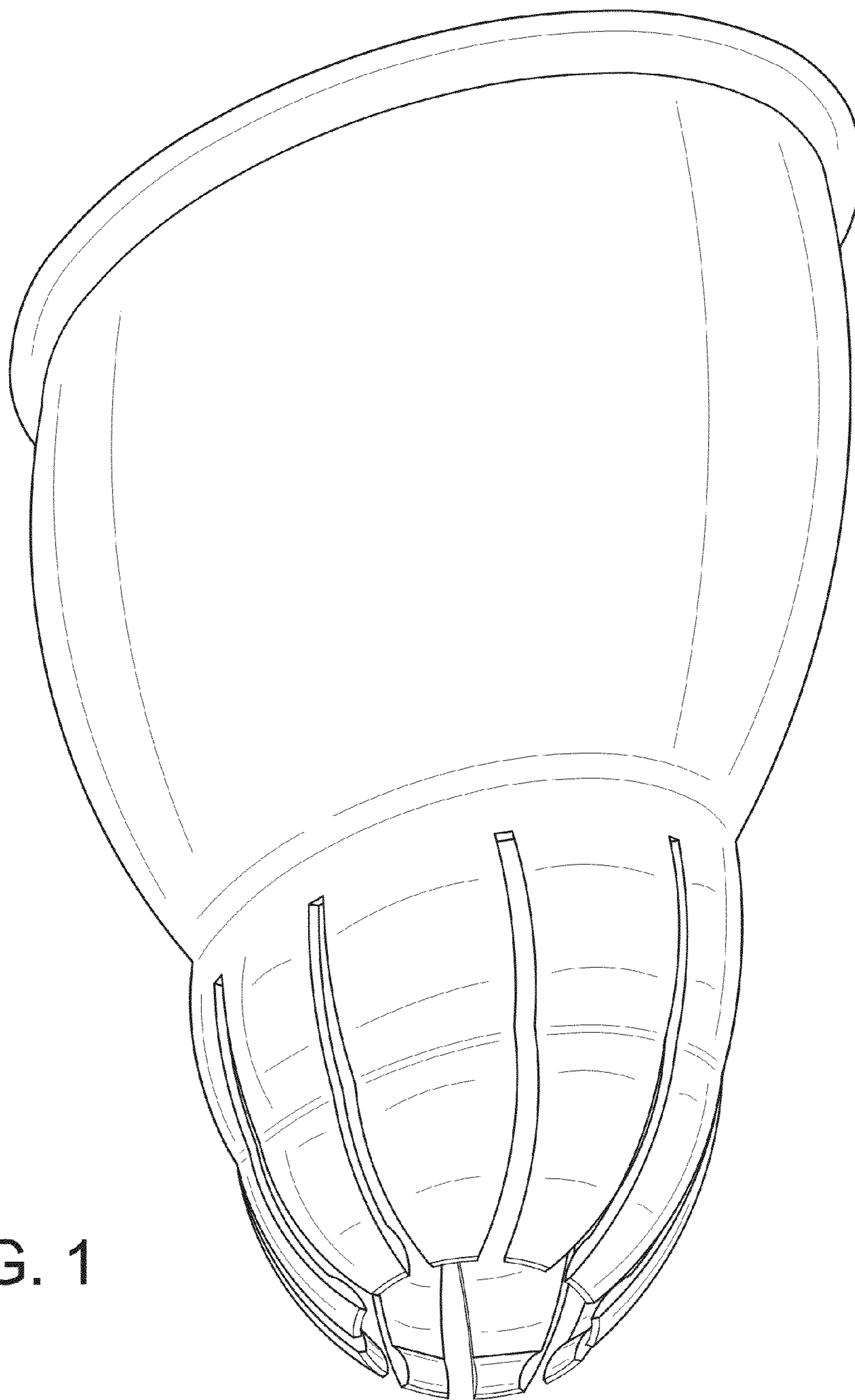


FIG. 1

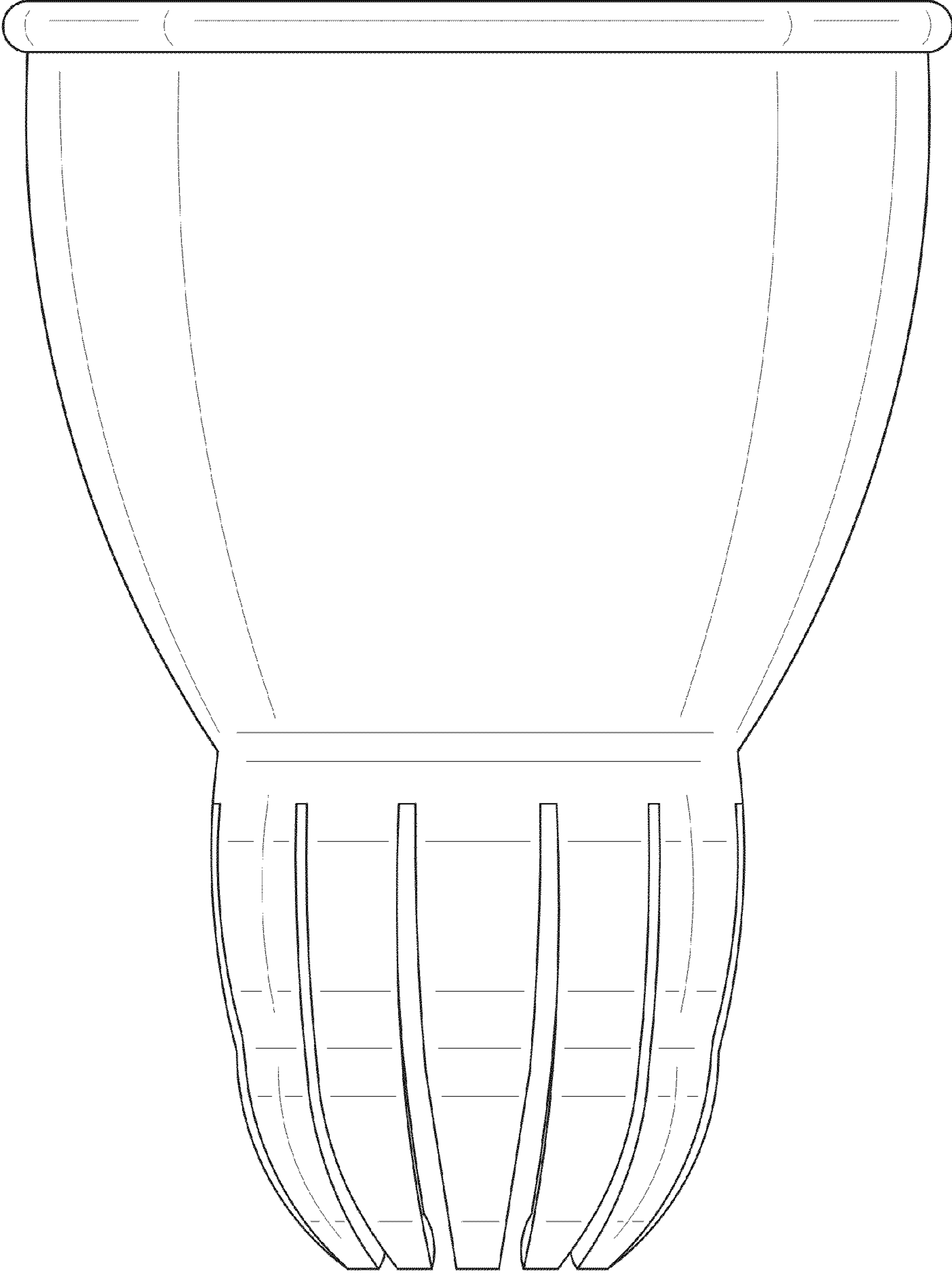


FIG. 2

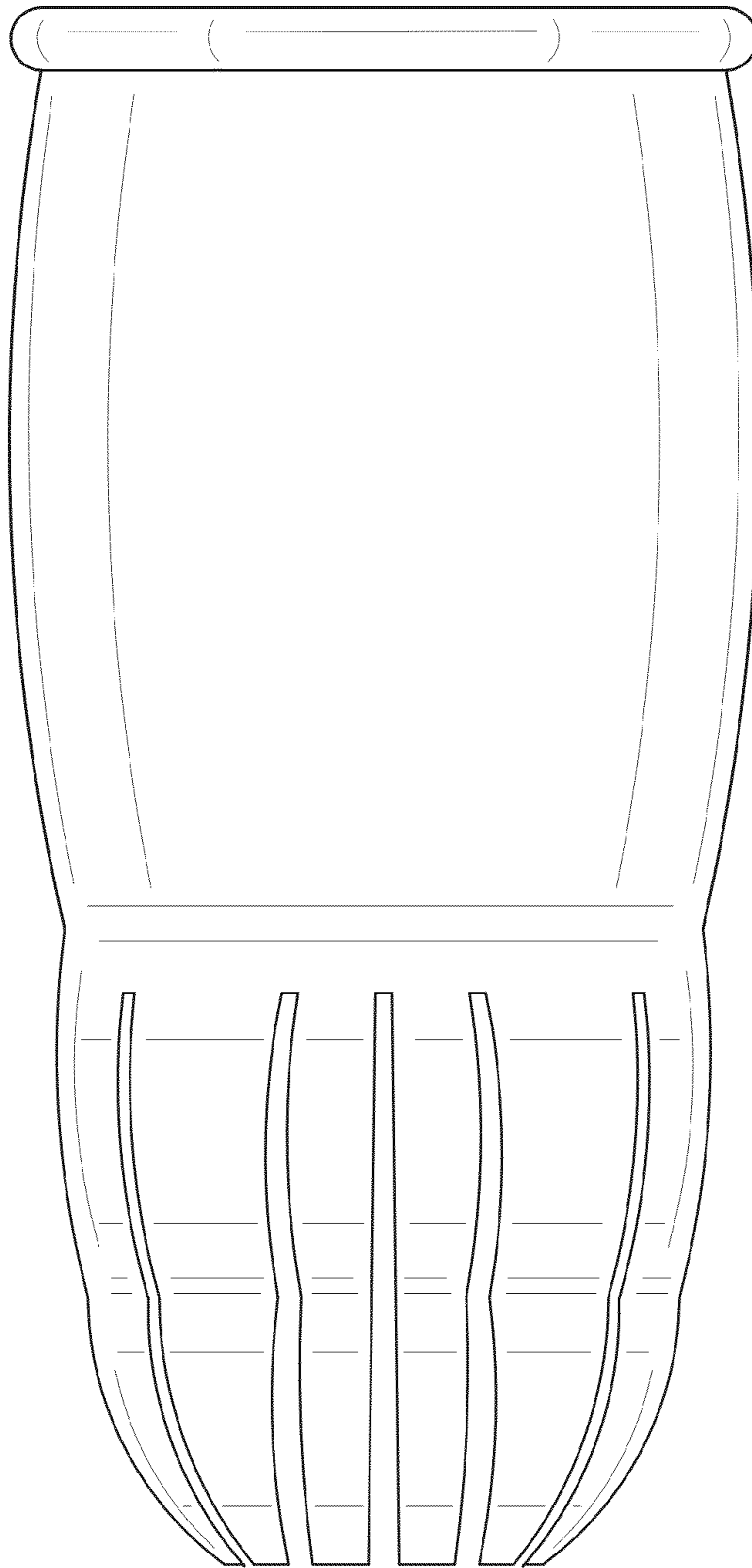


FIG. 3

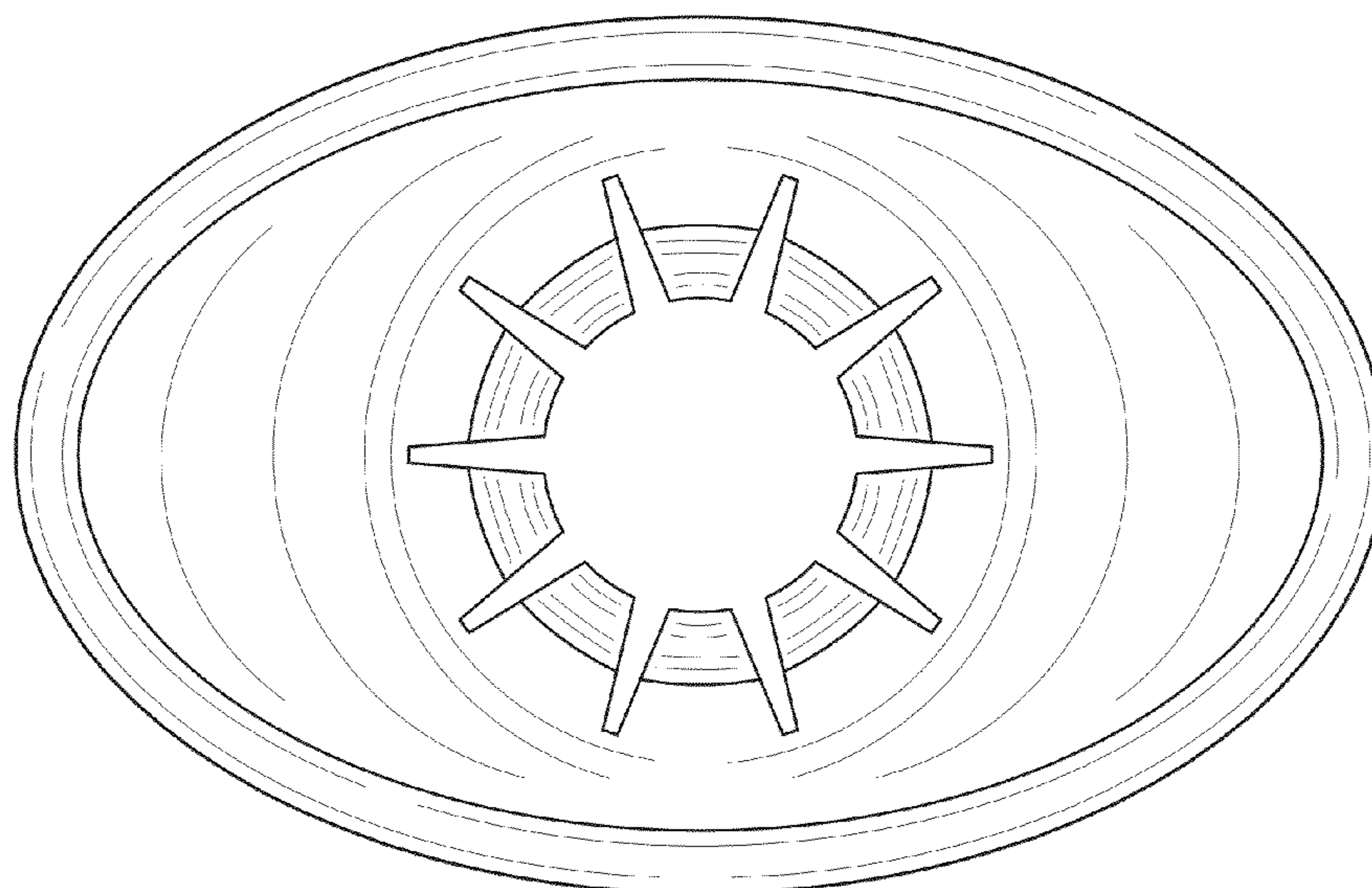


FIG. 4

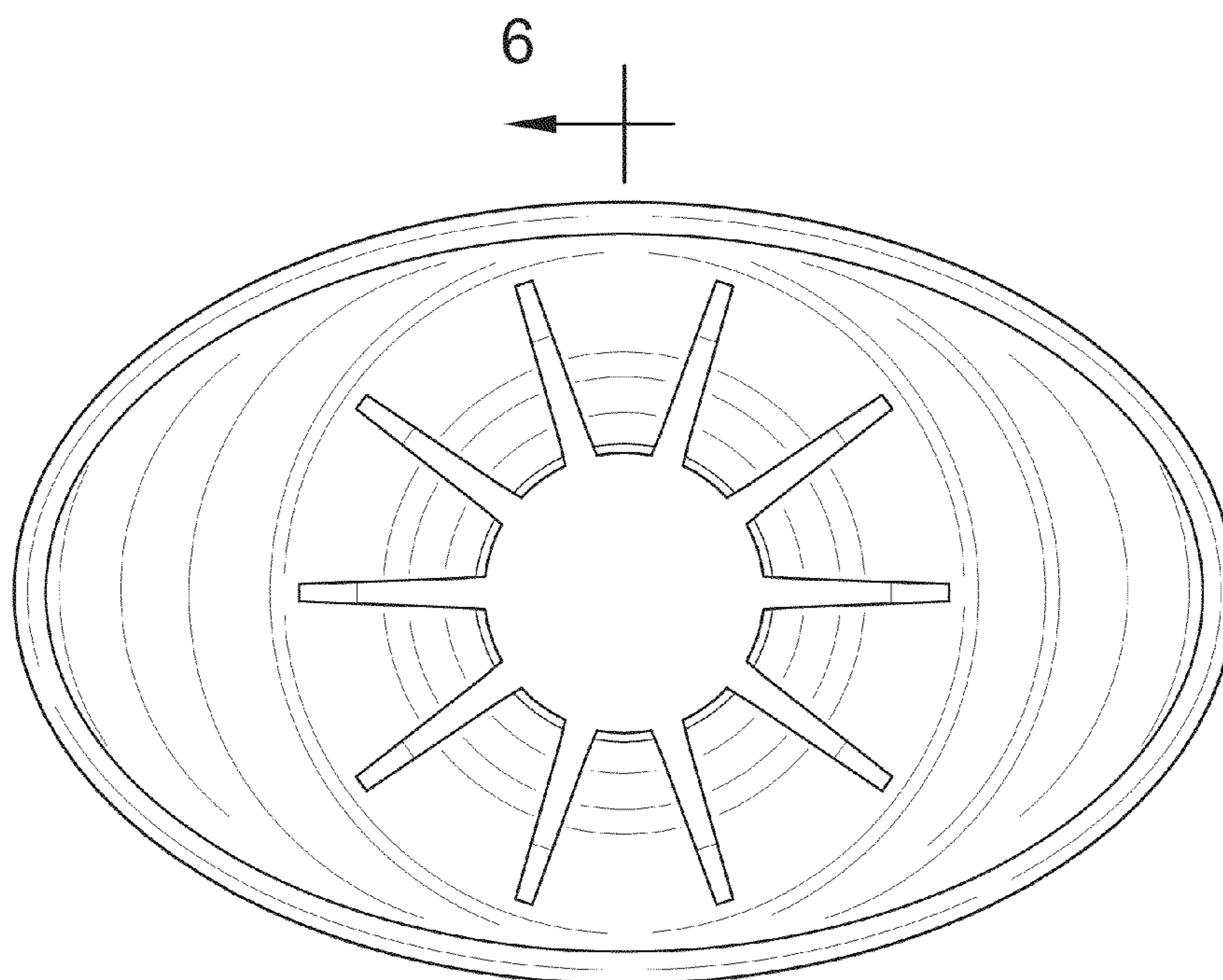


FIG. 5

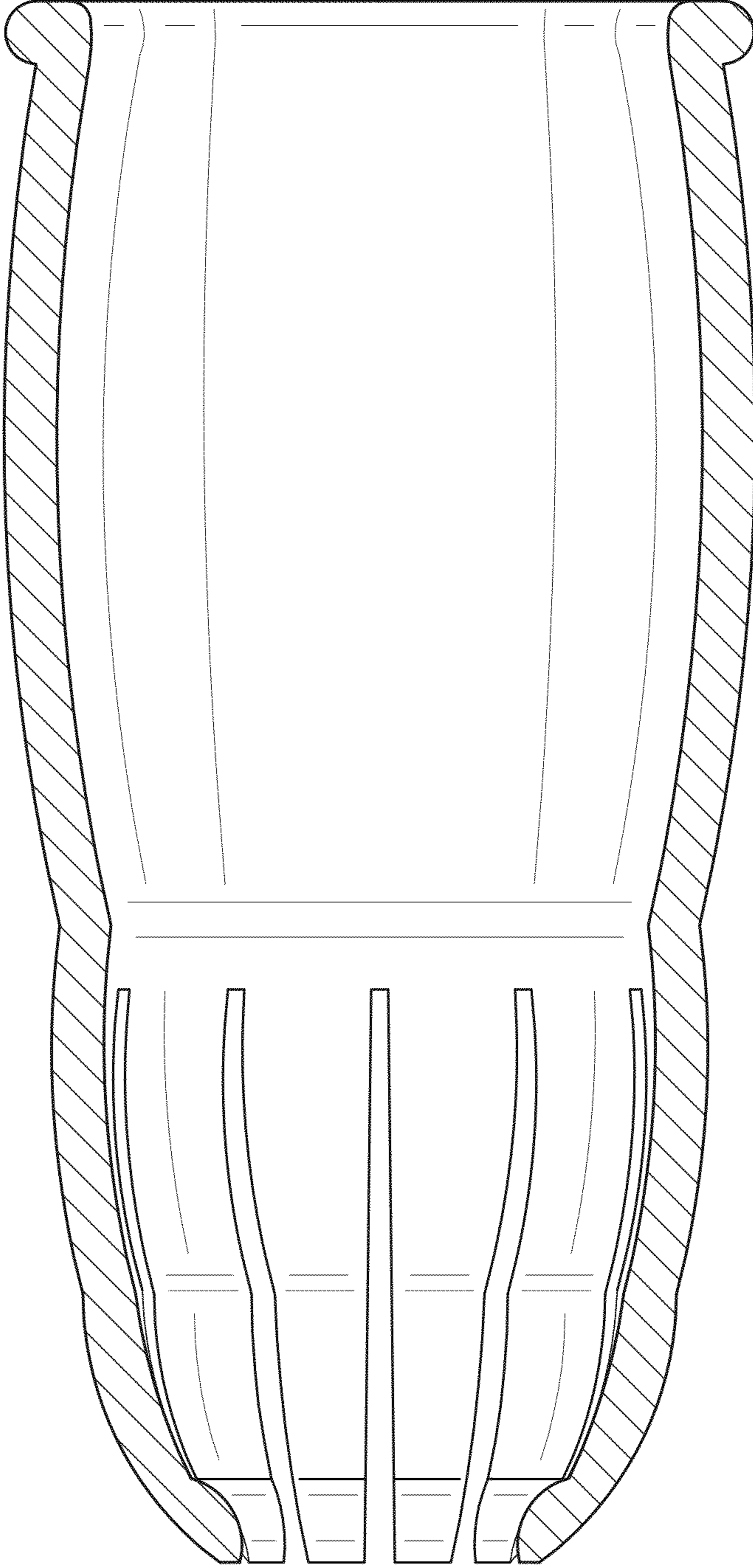


FIG. 6