

US00D694400S

(12) **United States Design Patent**
Maurer

(10) **Patent No.:** **US D694,400 S**
(45) **Date of Patent:** **** Nov. 26, 2013**

- (54) **MASK**
- (71) Applicant: **ResMed Limited**, Bella Vista (AU)
- (72) Inventor: **Dimitri Marco Maurer**, Umina (AU)
- (73) Assignee: **ResMed Limited**, Bella Vista (AU)
- (**) Term: **14 Years**
- (21) Appl. No.: **29/447,507**
- (22) Filed: **Mar. 4, 2013**

- D558,334 S * 12/2007 Stallard et al. D24/110.1
- D582,545 S 12/2008 Omura et al.
- D582,546 S * 12/2008 Fujiura et al. D24/110.1
- D585,981 S 2/2009 Moore et al.
- D586,458 S * 2/2009 Kooij et al. D24/110.1
- D586,906 S * 2/2009 Stallard et al. D24/110.1
- D591,420 S 4/2009 Selvarajan et al.
- D594,111 S 6/2009 Reid
- D594,112 S 6/2009 Nga et al.
- D595,840 S 7/2009 Davidson et al.
- D597,202 S 7/2009 Reid et al.
- D597,660 S 8/2009 Maurer et al.
- D597,661 S * 8/2009 Reid et al. D24/110.1
- D612,932 S * 3/2010 Davidson et al. D24/110.1
- D614,763 S * 4/2010 Maurer et al. D24/110.1
- D620,105 S 7/2010 Nga et al.
- D624,642 S * 9/2010 Collazo et al. D24/110.1
- D639,419 S * 6/2011 Eves et al. D24/110.1

Related U.S. Application Data

- (60) Continuation of application No. 29/347,655, filed on Mar. 30, 2010, now Pat. No. Des. 679,802, which is a division of application No. 29/311,352, filed on Feb. 27, 2009, now Pat. No. Des. 614,763, which is a division of application No. 29/290,799, filed on Jan. 15, 2008, now Pat. No. Des. 597,660.
- (51) **LOC (9) Cl.** **29-02**
- (52) **U.S. Cl.**
USPC **D24/110.1; D24/110.4; D24/110.5**
- (58) **Field of Classification Search**
USPC **D24/110.1-110.5; 128/204.18-207.17**
See application file for complete search history.

(Continued)

OTHER PUBLICATIONS

Maurer et al., U.S. Appl. No. 29/311,352, filed Feb. 27, 2009.

(Continued)

Primary Examiner — Richard E Chilcot
(74) *Attorney, Agent, or Firm* — Nixon & Vanderhye P.C.

(57) **CLAIM**
The ornamental design for a mask, as shown.

(56) **References Cited**

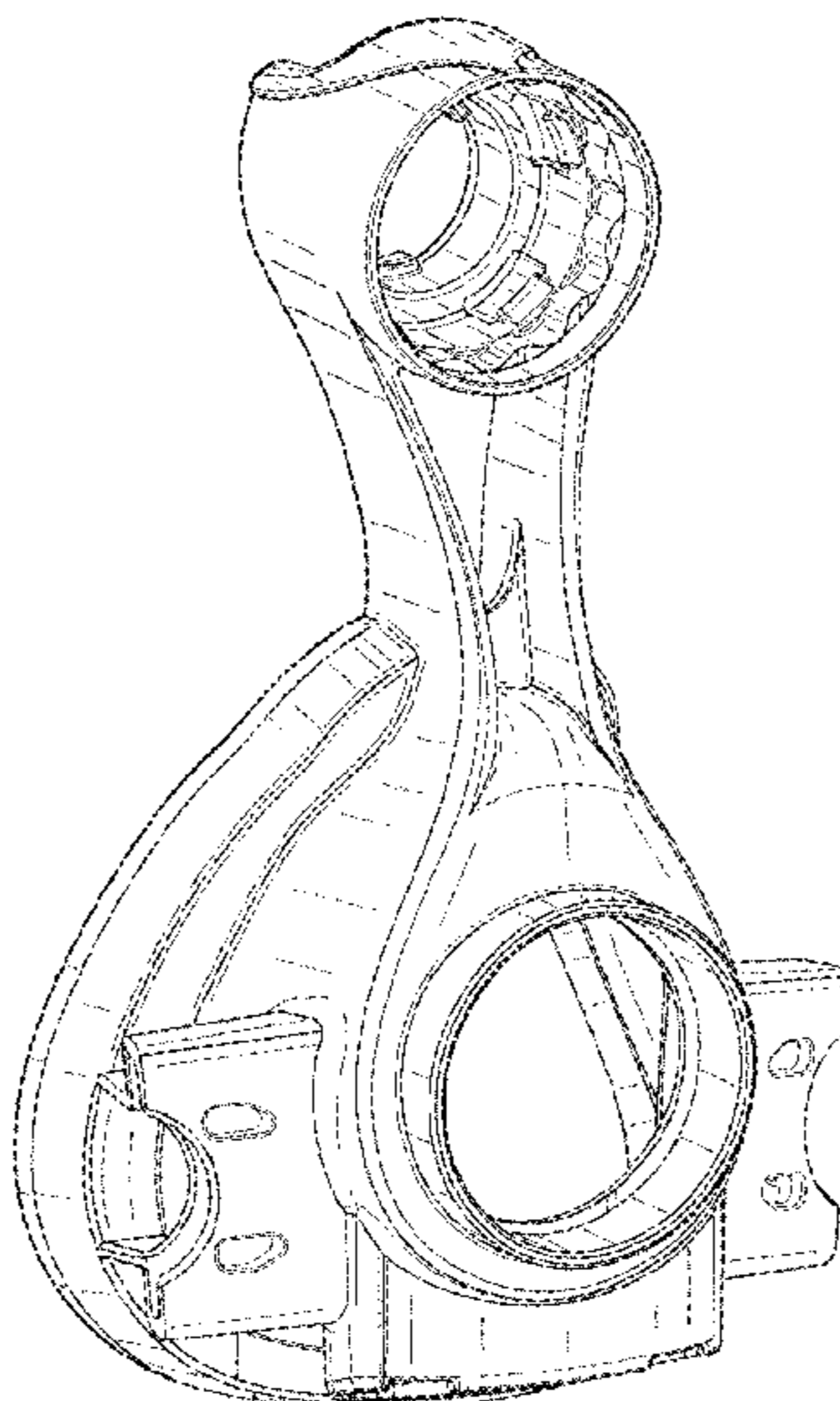
U.S. PATENT DOCUMENTS

- D443,355 S 6/2001 Gunaratnam et al.
- 6,532,961 B1 3/2003 Kwok et al.
- D486,226 S * 2/2004 Guney et al. D24/110.1
- D493,885 S 8/2004 Raje et al.
- D515,204 S 2/2006 Guney et al.
- D519,207 S 4/2006 Raje et al.
- D539,901 S 4/2007 McAuliffe
- D556,901 S 12/2007 Davidson et al.
- D557,411 S * 12/2007 Smart et al. D24/110.1
- D558,331 S 12/2007 Davidson et al.

DESCRIPTION

FIG. 1 is a front perspective view of a mask according to our design;
FIG. 2 is a front view thereof;
FIG. 3 is a rear view thereof;
FIG. 4 is a top view thereof;
FIG. 5 is a bottom view thereof; and,
FIG. 6 is a right side view thereof with the left side view being a mirror image.

1 Claim, 5 Drawing Sheets



(56)

References Cited

U.S. PATENT DOCUMENTS

D639,932 S * 6/2011 D'Souza et al. D24/110.1
D645,955 S * 9/2011 Kooij et al. D24/110.1
D653,328 S * 1/2012 Eves et al. D24/110.1
D665,494 S * 8/2012 Stallard et al. D24/110.1
2007/0261697 A1 11/2007 Kwok et al.
2008/0110464 A1 5/2008 Davidson et al.

2008/0135050 A1 6/2008 Hitchcock et al.
2011/0162654 A1 7/2011 Carroll et al.

OTHER PUBLICATIONS

Stallard et al., U.S. Appl. No. 29/268,823, filed Nov. 14, 2006.
Tanaka, Parent U.S. Appl. No. 29/347,655, filed Mar. 30, 2010.

* cited by examiner

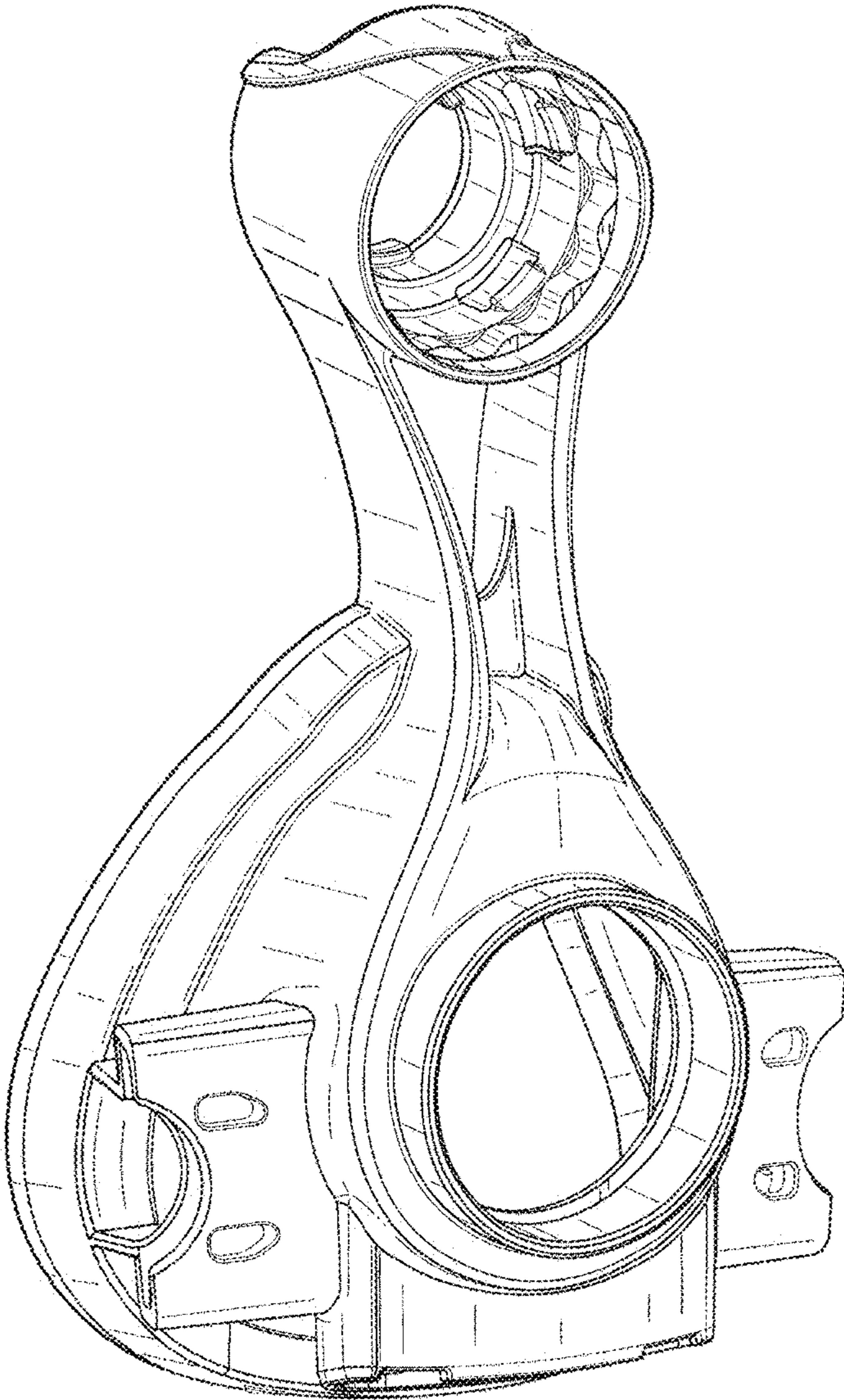


FIG. 1

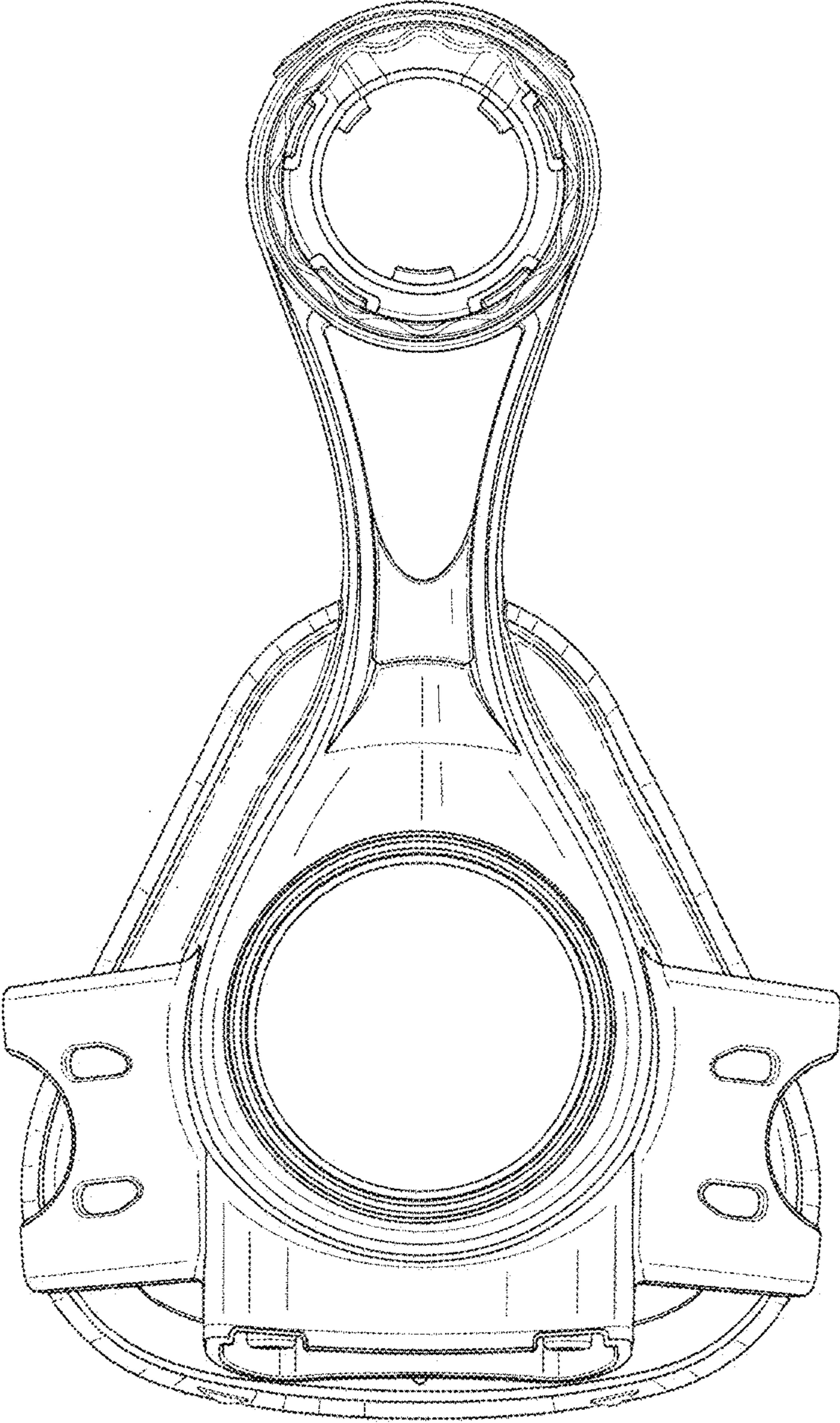


FIG. 2

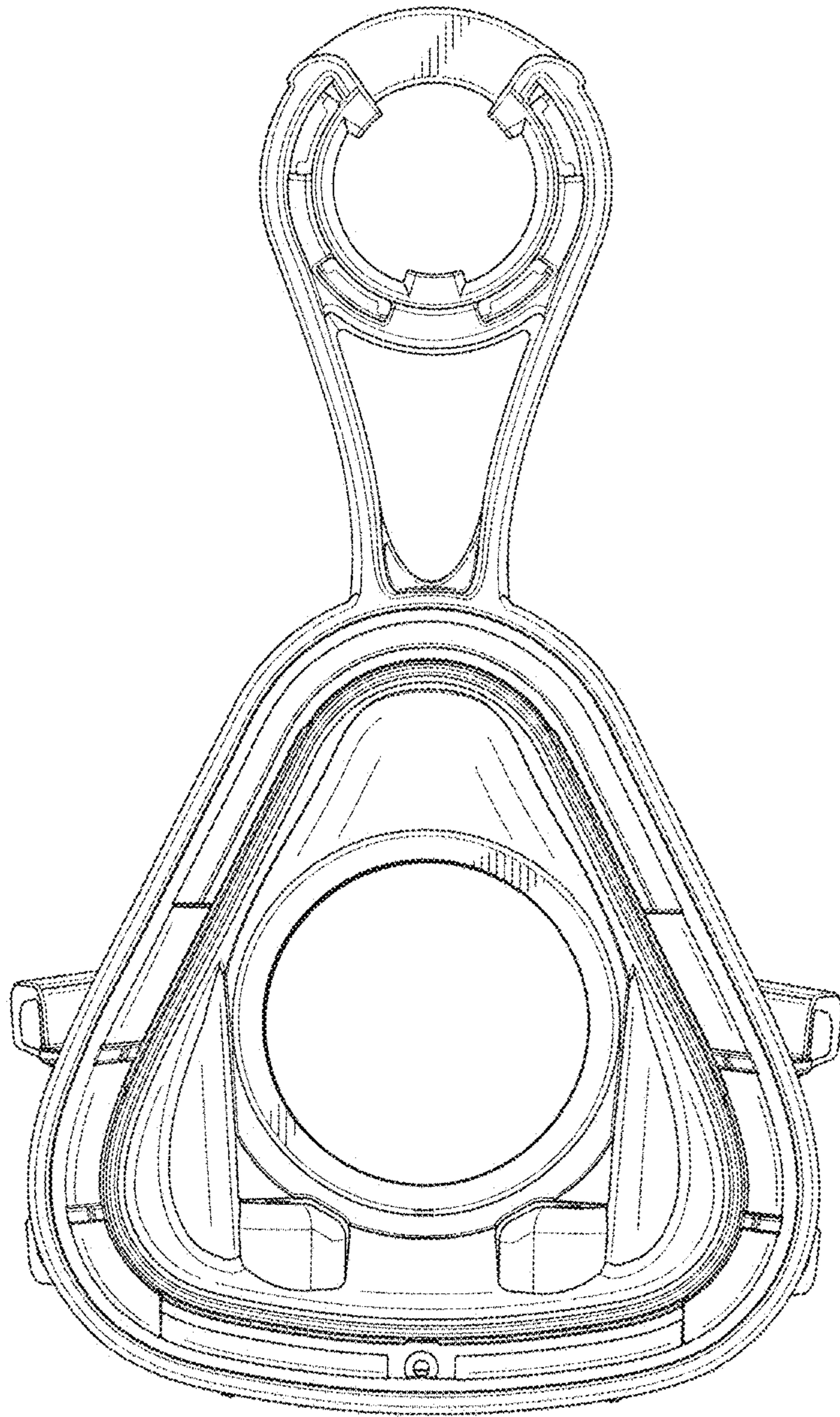


FIG. 3

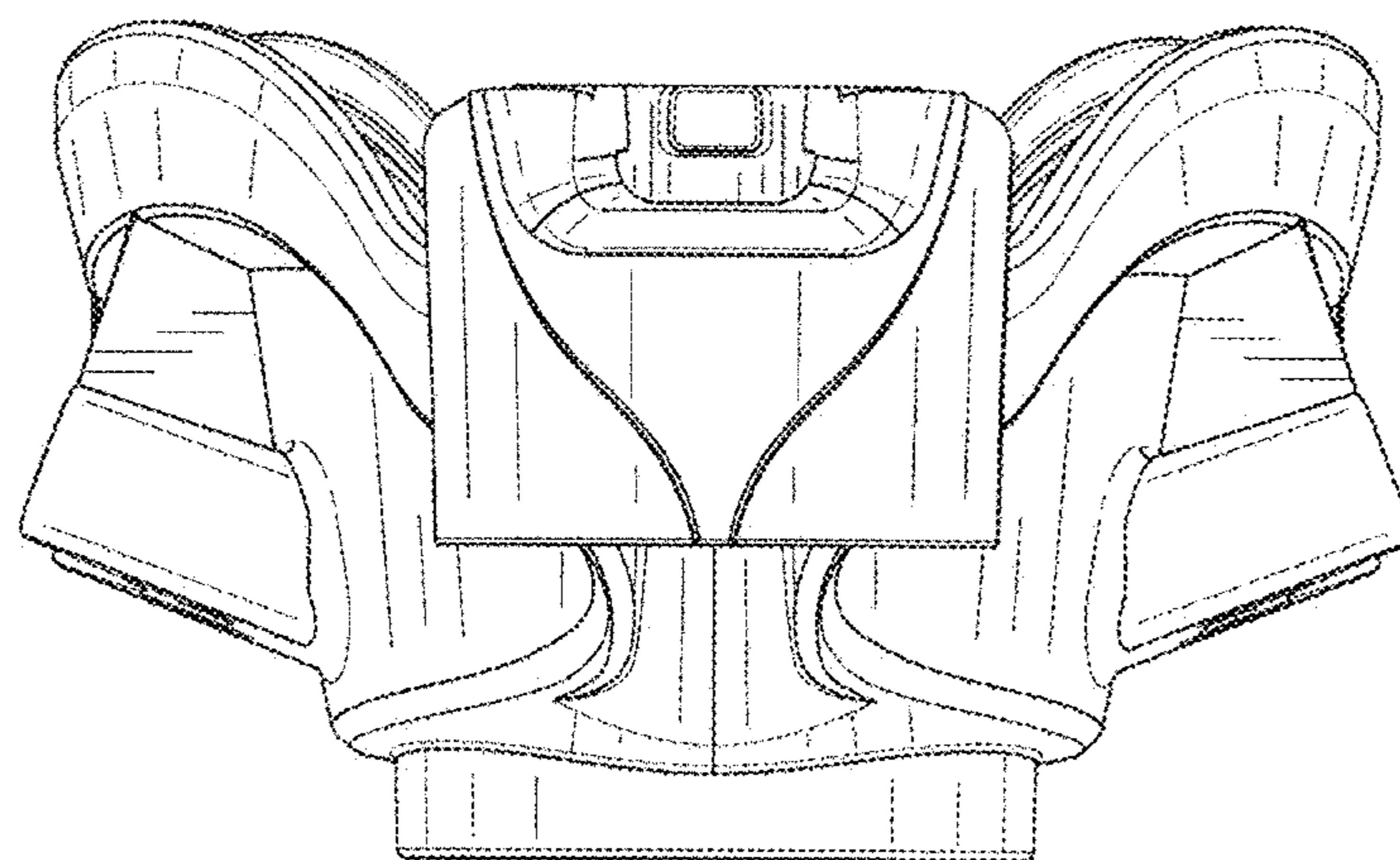


FIG. 4

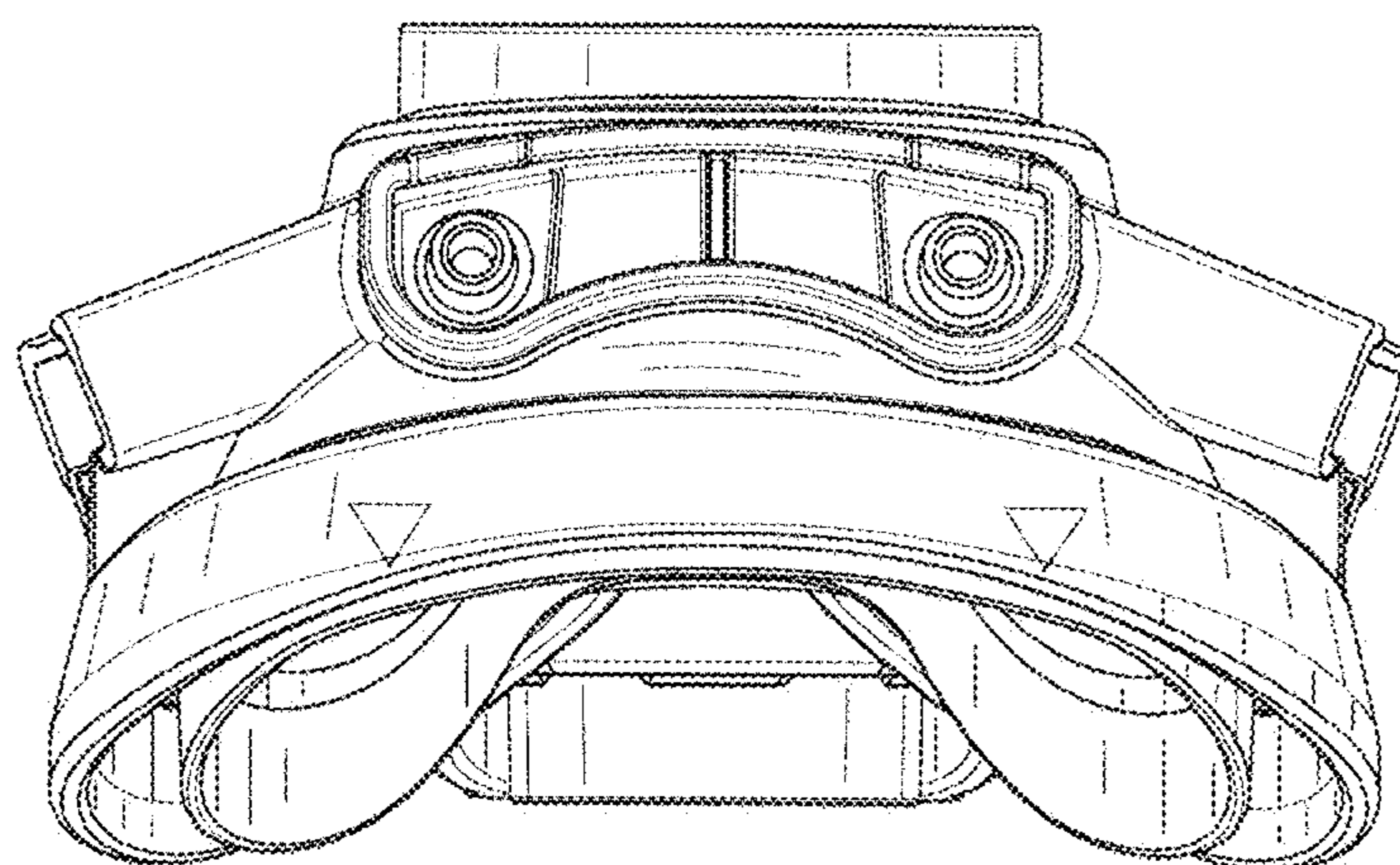


FIG. 5

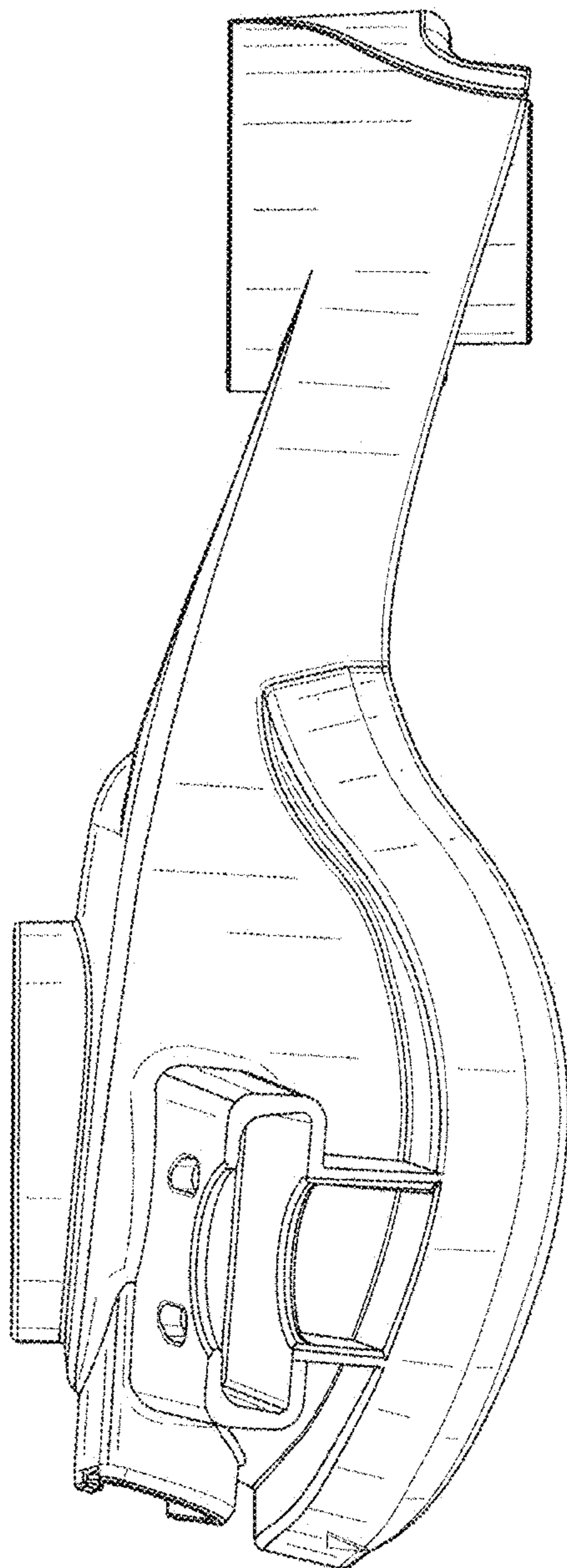


FIG. 6