

US00D694399S

(12) **United States Design Patent**
Ritsche

(10) **Patent No.:** **US D694,399 S**

(45) **Date of Patent:** **** Nov. 26, 2013**

(54) **SUBLINGUAL FLUID PRODUCT DISPENSER**

(75) Inventor: **Stefan Ritsche**, Eigeltingen (DE)

(73) Assignee: **Valois SAS**, Le Neubourg (FR)

(**) Term: **14 Years**

(21) Appl. No.: **29/403,371**

(22) Filed: **Oct. 5, 2011**

(30) **Foreign Application Priority Data**

Apr. 6, 2011 (EP) 001846700-0002

(51) **LOC (9) Cl.** **29-02**

(52) **U.S. Cl.**
USPC **D24/110**

(58) **Field of Classification Search**
USPC D24/110, 164; D9/682; 128/200.11,
128/200.23, 205.23; 222/82; 239/337
See application file for complete search history.

(56) **References Cited**

U.S. PATENT DOCUMENTS

D270,568 S * 9/1983 Armstrong D24/129
D331,106 S * 11/1992 Fuchs D24/110
5,655,689 A * 8/1997 Fuchs et al. 222/321.3
5,944,222 A * 8/1999 Fuchs et al. 222/82

6,626,379 B1 * 9/2003 Ritsche et al. 239/337
6,708,846 B1 * 3/2004 Fuchs et al. 222/82
6,732,955 B1 * 5/2004 Ritsche et al. 239/333
6,789,750 B1 * 9/2004 Heldt 239/490
D570,477 S * 6/2008 Gallogly et al. D24/130
D572,820 S * 7/2008 Gallogly et al. D24/130

* cited by examiner

Primary Examiner — Ian Simmons

Assistant Examiner — Richelle Shelton

(74) *Attorney, Agent, or Firm* — Sughrue Mion, PLLC

(57) **CLAIM**

The ornamental design for a sublingual fluid product dispenser, as shown and described.

DESCRIPTION

FIG. 1 is a right side view of a sublingual fluid product dispenser;

FIG. 2 is a left side view thereof;

FIG. 3 is front view thereof;

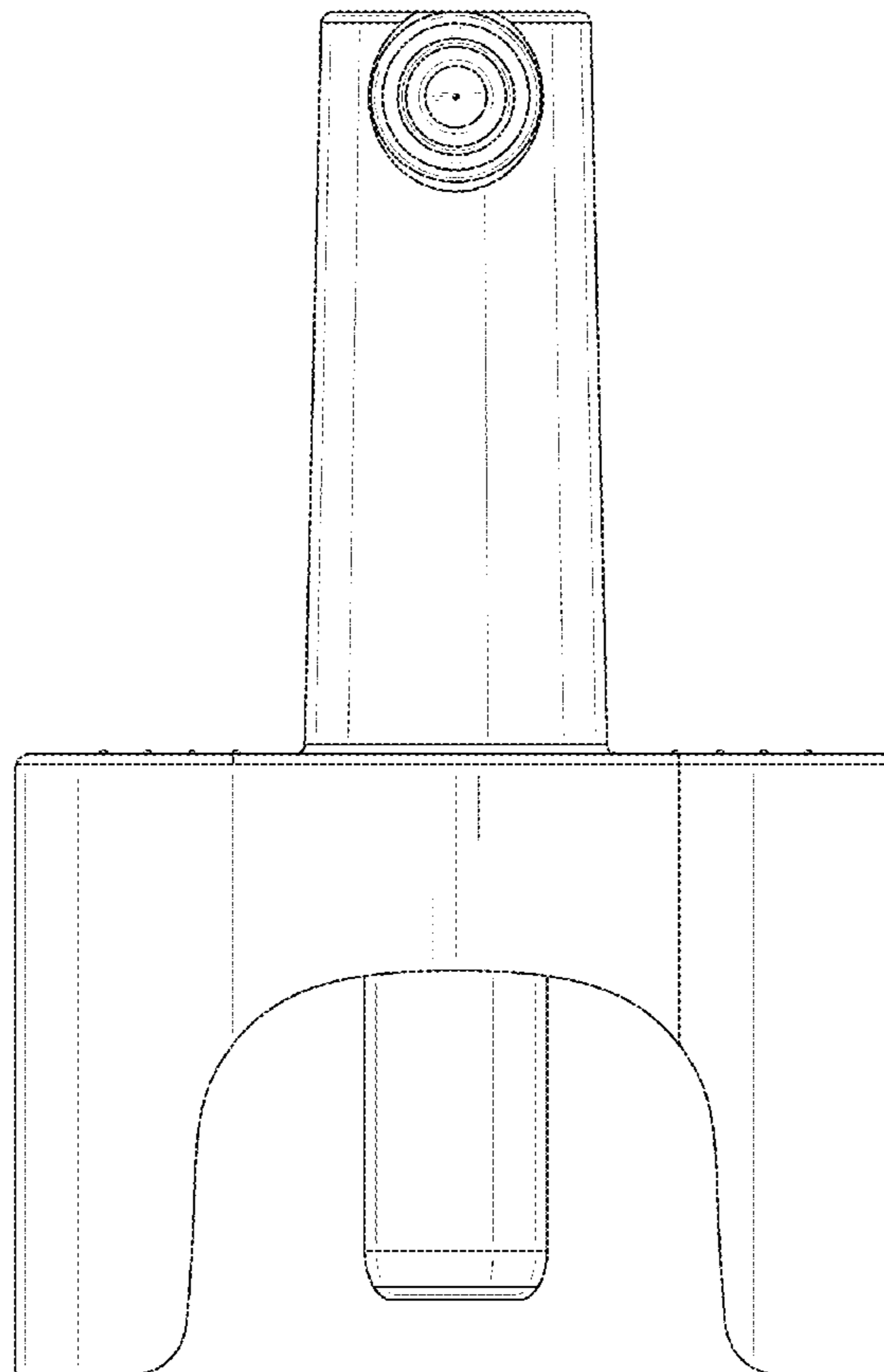
FIG. 4 is rear view thereof;

FIG. 5 is a bottom view thereof; and,

FIG. 6 is a top view.

The broken line showing of portions of the article is included for the purpose of illustrating environmental structure and forms no part of the claimed design.

1 Claim, 6 Drawing Sheets



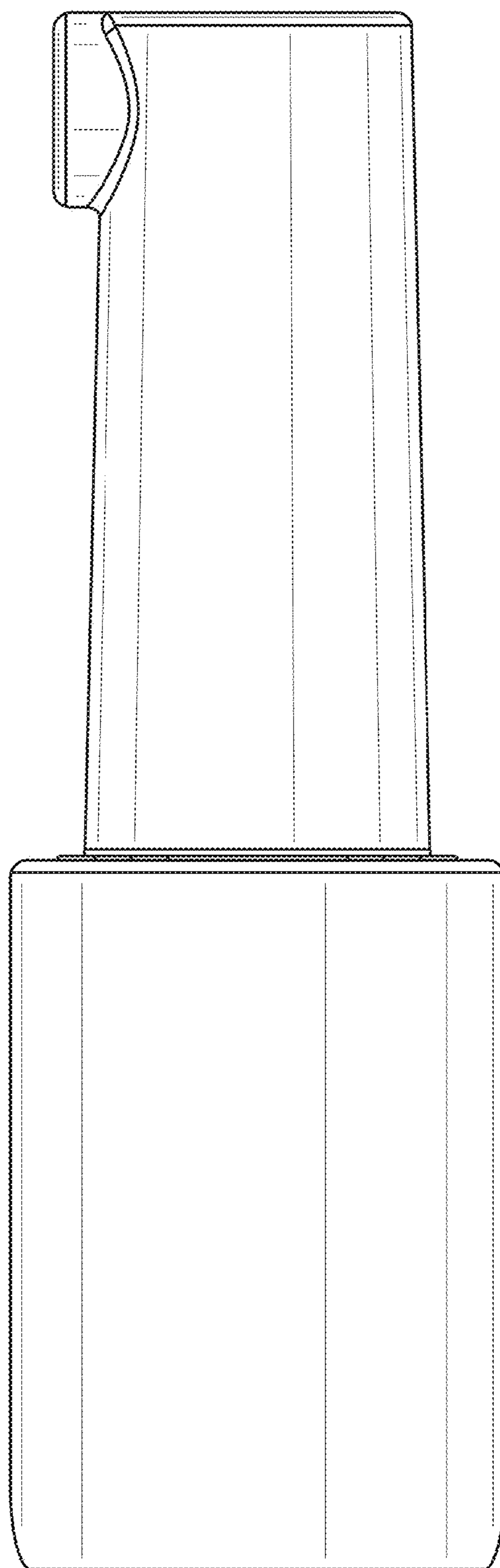


FIG. 1

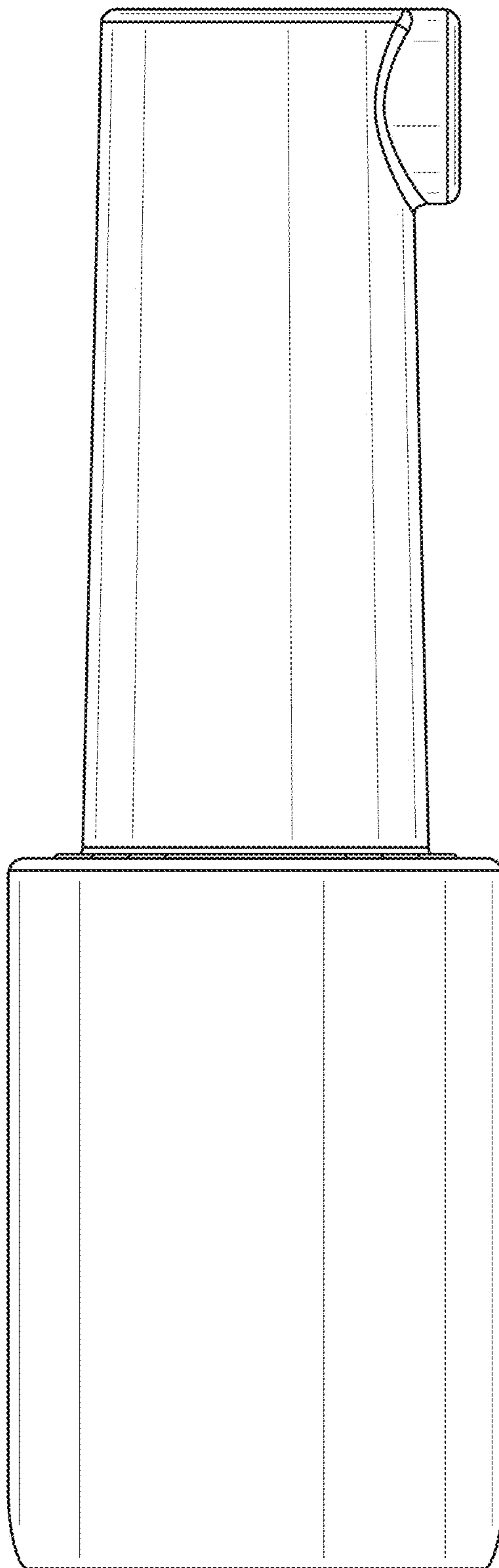


FIG. 2

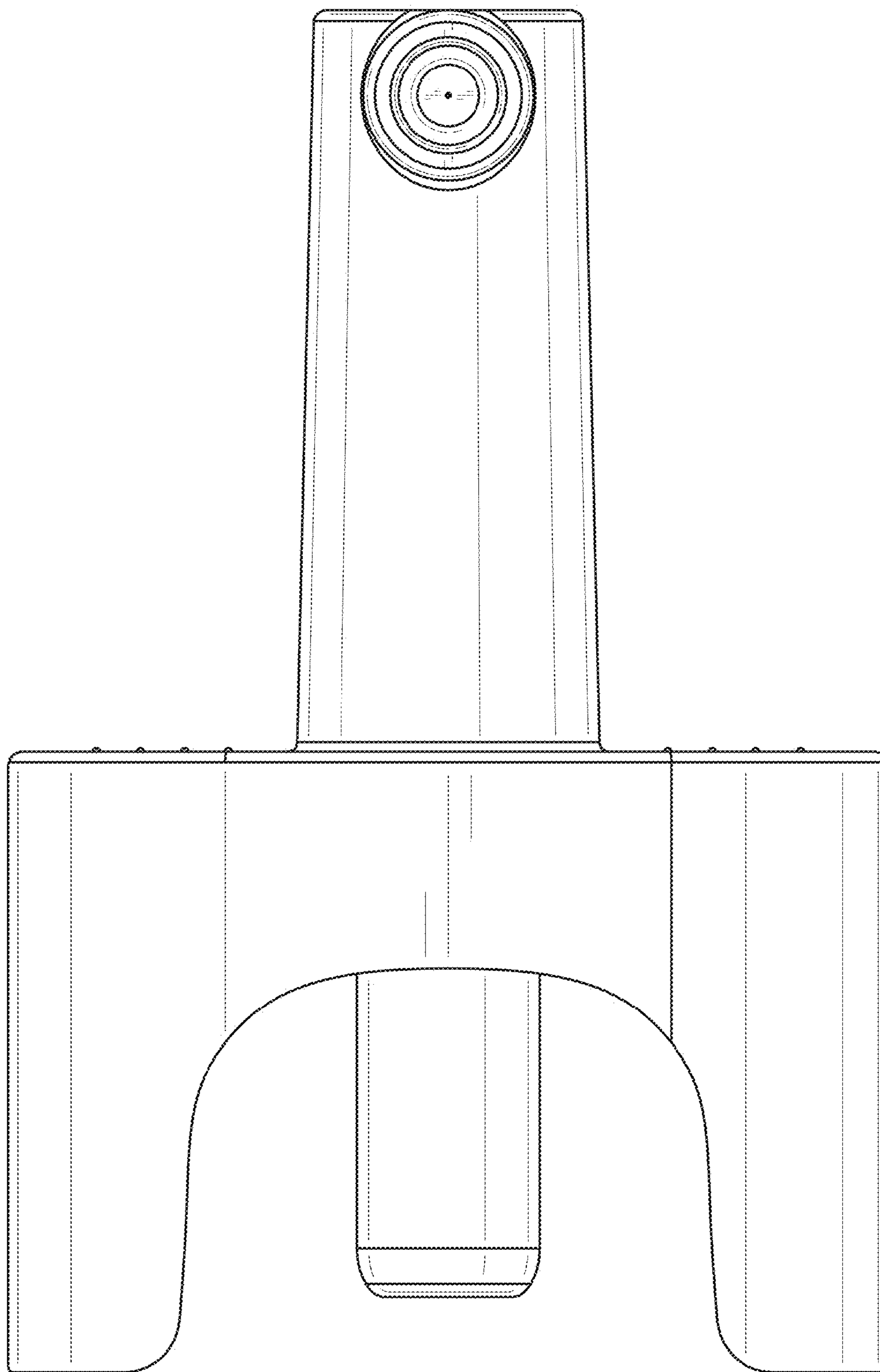


FIG. 3

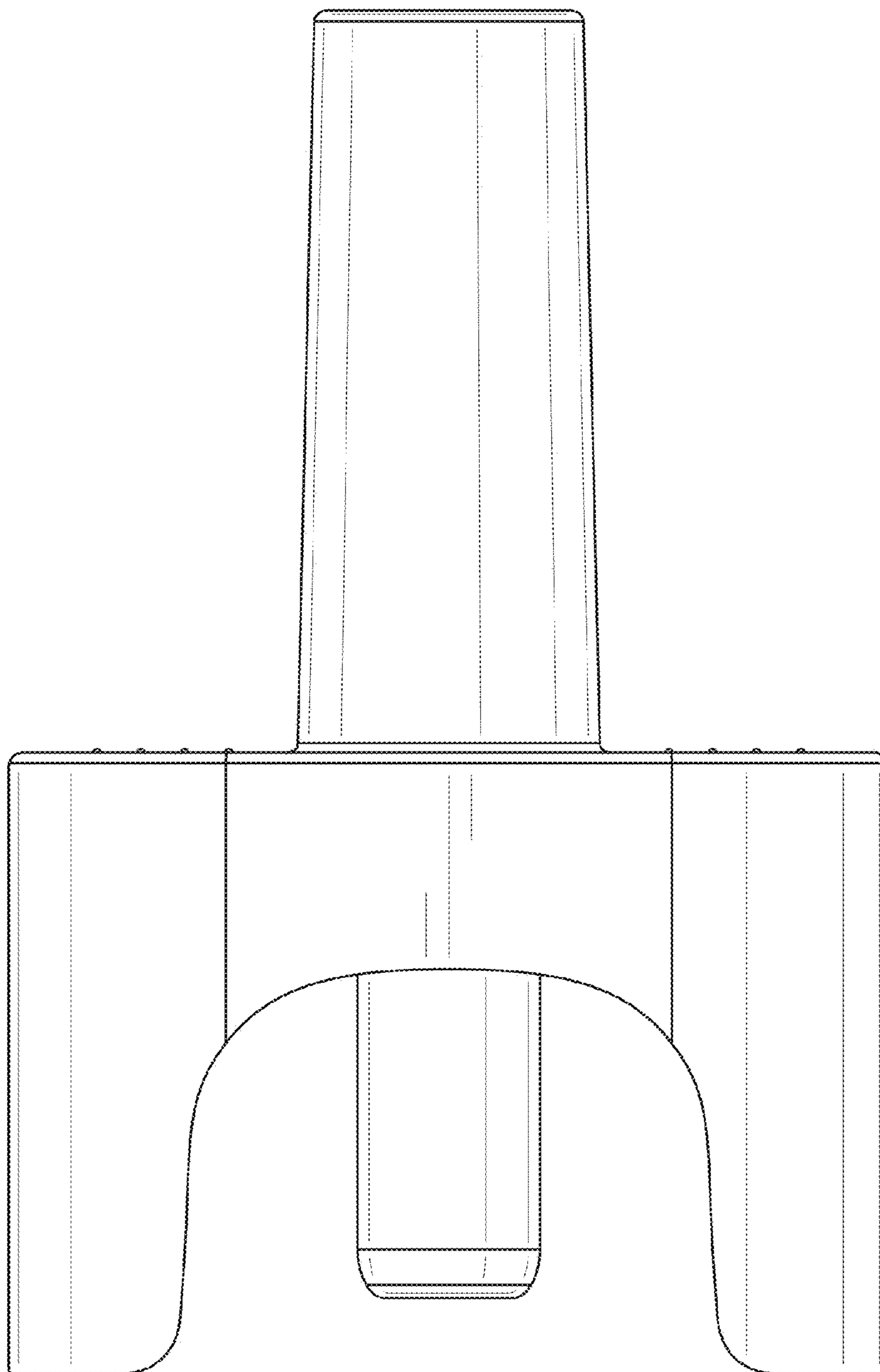


FIG. 4

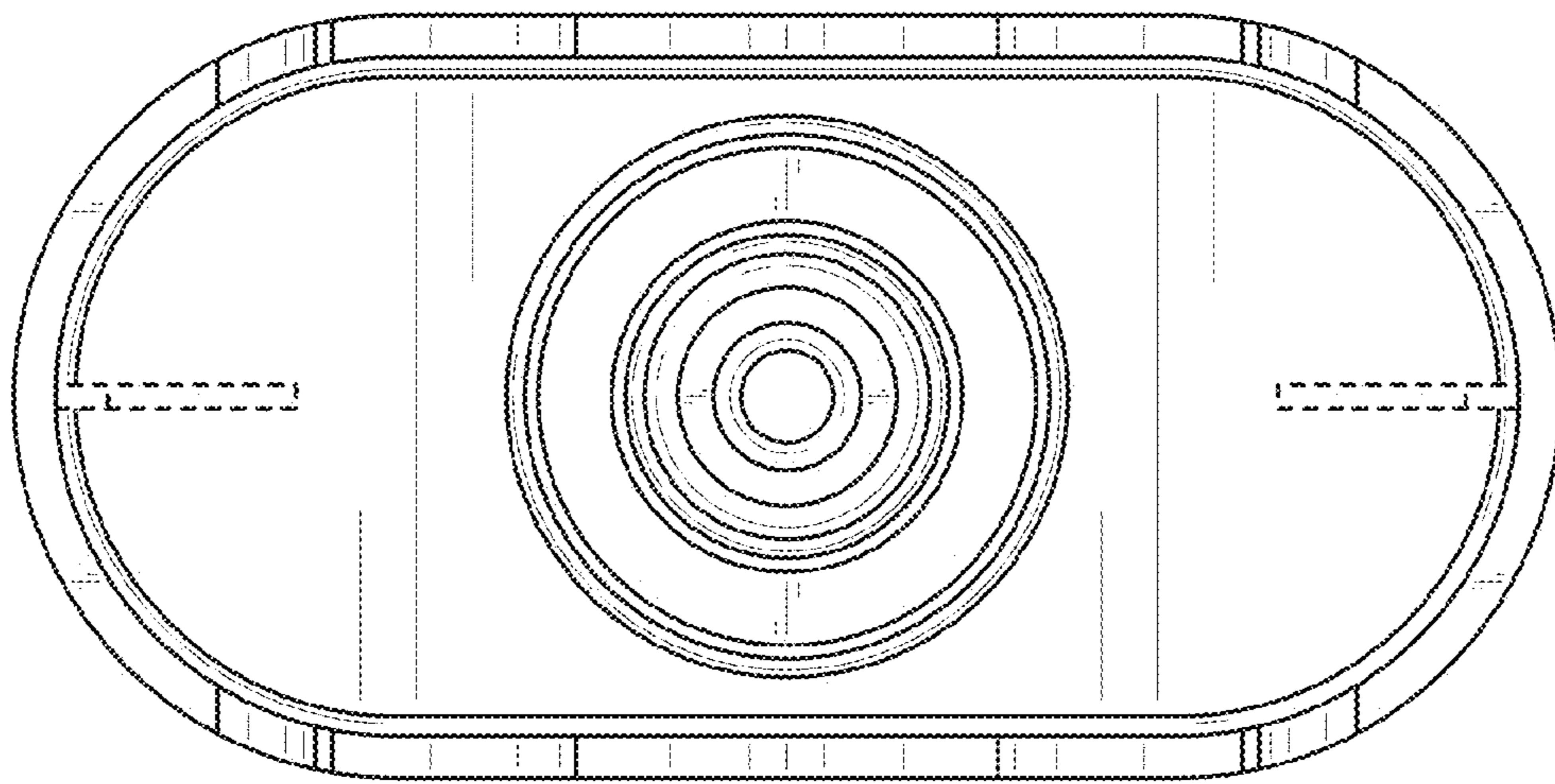


FIG. 5

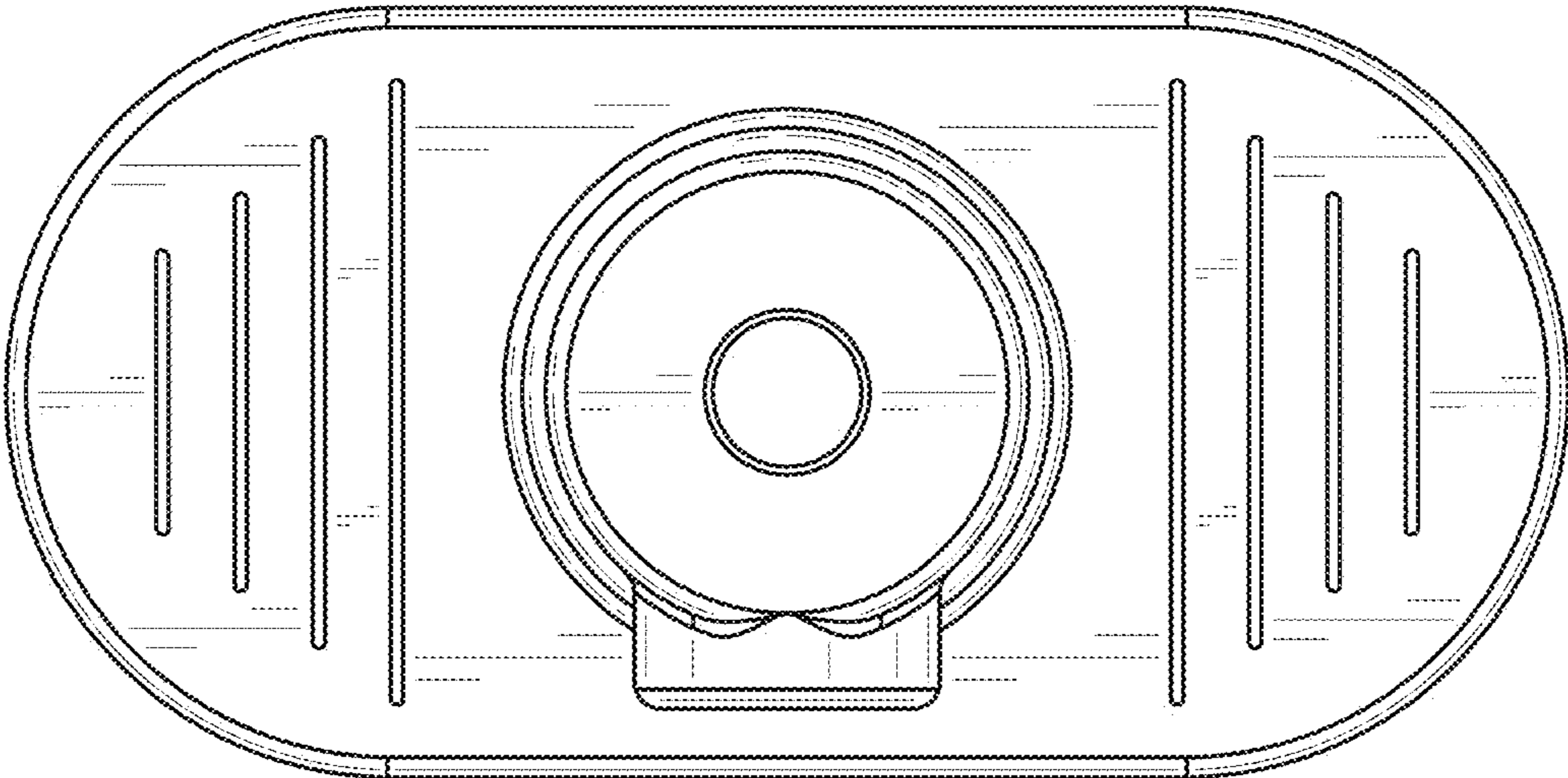


FIG. 6