



US00D694396S

(12) **United States Design Patent**  
**Belt et al.**

(10) **Patent No.:** **US D694,396 S**

(45) **Date of Patent:** **\*\* Nov. 26, 2013**

(54) **BLOOD COLLECTION DEVICE**

(75) Inventors: **Fletcher C. Belt**, Bull Valley, IL (US);  
**Antonio J. Belton**, Richton Park, IL  
(US); **William Clifford Herweh, III**,  
Cincinnati, OH (US)

(73) Assignee: **Fenwal, Inc.**, Lake Zurich, IL (US)

(\*\*) Term: **14 Years**

(21) Appl. No.: **29/381,786**

(22) Filed: **Dec. 22, 2010**

(51) **LOC (9) Cl.** ..... **24-01**

(52) **U.S. Cl.**  
USPC ..... **D24/108**

(58) **Field of Classification Search**

USPC ..... D24/108, 111, 167, 169; 604/6.01,  
604/6.02, 6.03, 6.04, 6.05, 6.11, 6.13, 6.14,  
604/6.15, 6.16, 131, 151, 262

See application file for complete search history.

(56) **References Cited**

**U.S. PATENT DOCUMENTS**

2,835,252	A *	5/1958	Mauchel	604/122
3,590,215	A *	6/1971	Anderson et al.	392/470
3,985,133	A *	10/1976	Jenkins et al.	604/67
4,167,663	A *	9/1979	Granzow et al.	219/497
4,256,437	A *	3/1981	Brown	417/45
4,468,222	A *	8/1984	Lundquist	604/153
4,658,244	A *	4/1987	Meijer	340/632
4,857,050	A *	8/1989	Lentz et al.	604/67
4,954,128	A *	9/1990	Ford	604/6.05
5,234,608	A *	8/1993	Duff	210/806
5,649,810	A *	7/1997	Schweitzer et al.	417/298
6,423,035	B1 *	7/2002	Das et al.	604/155
8,251,092	B2 *	8/2012	Spohn et al.	137/519

2001/0001111	A1 *	5/2001	Spears et al.	604/4.01
2007/0185429	A1 *	8/2007	O'Mahony et al.	604/4.01
2009/0264824	A1 *	10/2009	Bisch et al.	604/151
2012/0175313	A1 *	7/2012	Barry et al.	210/696

\* cited by examiner

*Primary Examiner* — Ian Simmons

*Assistant Examiner* — Shannon Weekley

(74) *Attorney, Agent, or Firm* — Hanley, Flight and  
Zimmerman, LLC

(57) **CLAIM**

What is claimed is the ornamental design for a blood collection device, as shown and described.

**DESCRIPTION**

FIG. 1 is a front, left perspective view of a blood collection device.

FIG. 2 is a front, right perspective view of the blood collection device of FIG. 1.

FIG. 3 is a front view of the blood collection device of FIG. 1.

FIG. 4 is a left view of the blood collection device of FIG. 1.

FIG. 5 is a right view of the blood collection device of FIG. 1.

FIG. 6 is a top view of the blood collection device of FIG. 1.

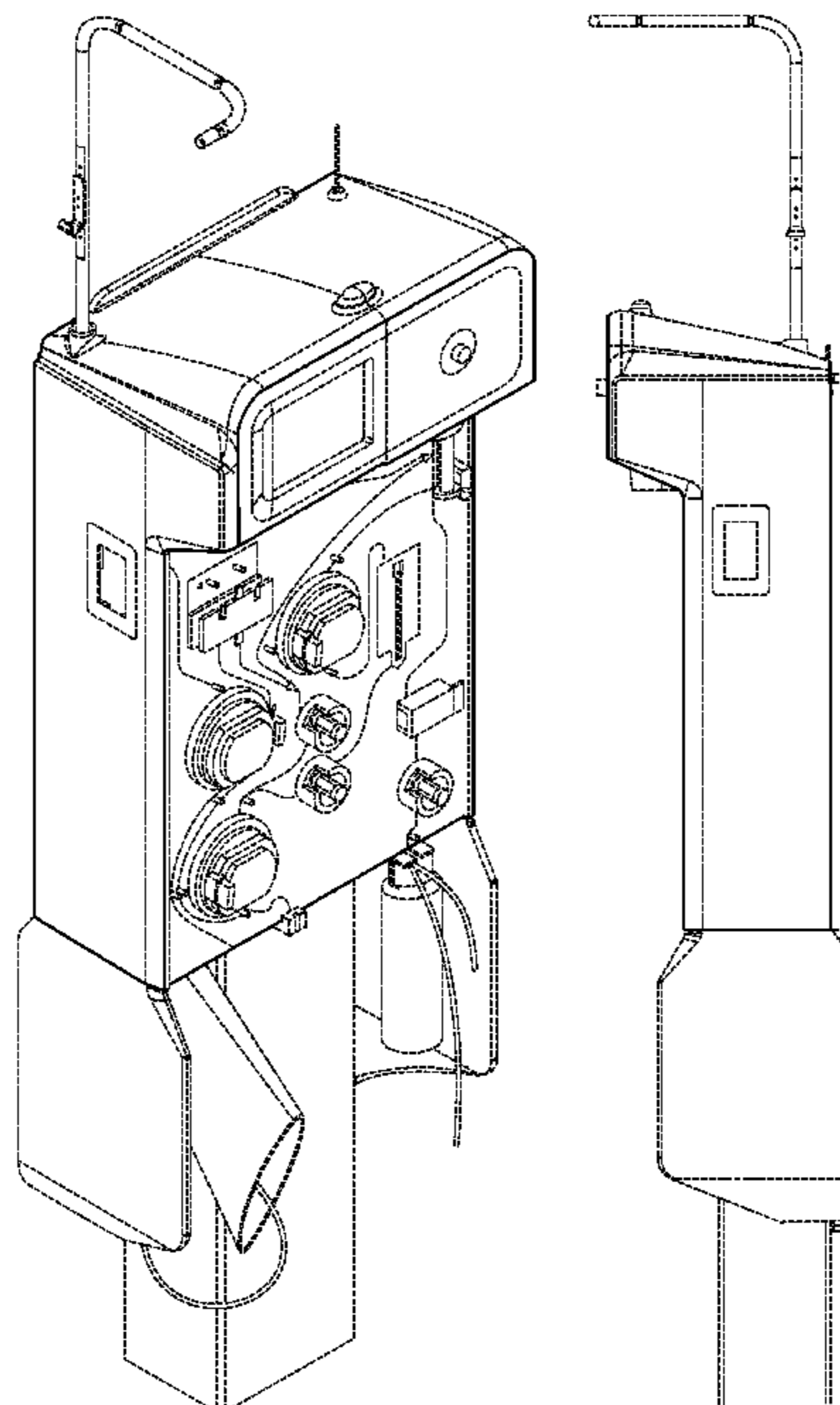
FIG. 7 is a bottom view of the blood collection device of FIG. 1.

FIG. 8 is a back view of the blood collection device of FIG. 1; and,

FIG. 9 is another back view of the blood collection device of FIG. 1.

The broken lines in FIGS. 1-9 of the blood collection device are for the purpose of illustrating environment, and forms no part of the claimed design.

**1 Claim, 7 Drawing Sheets**



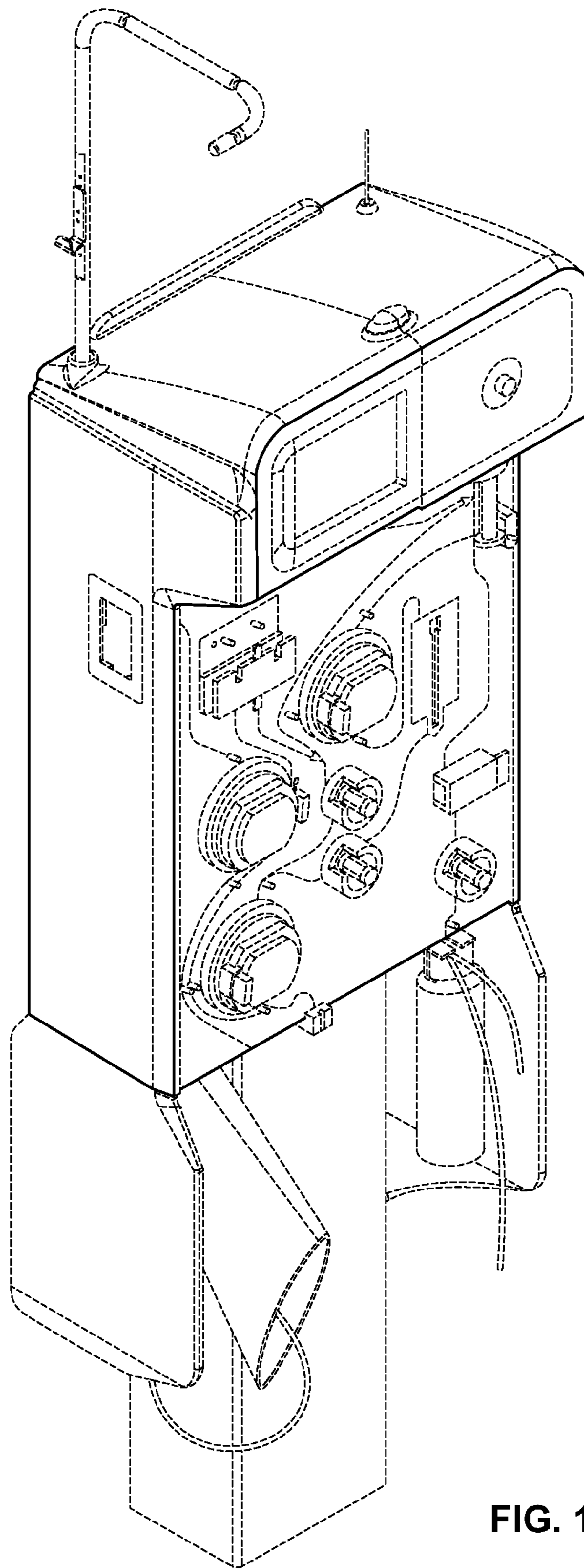


FIG. 1

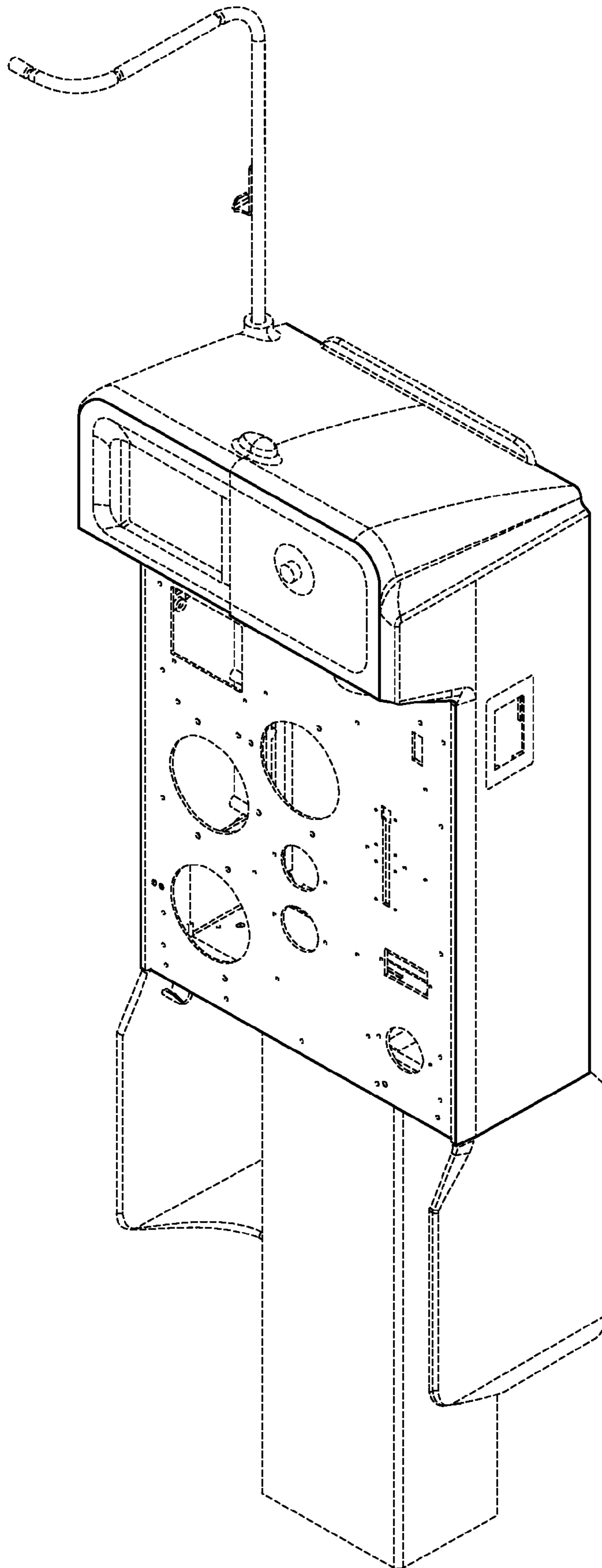


FIG. 2

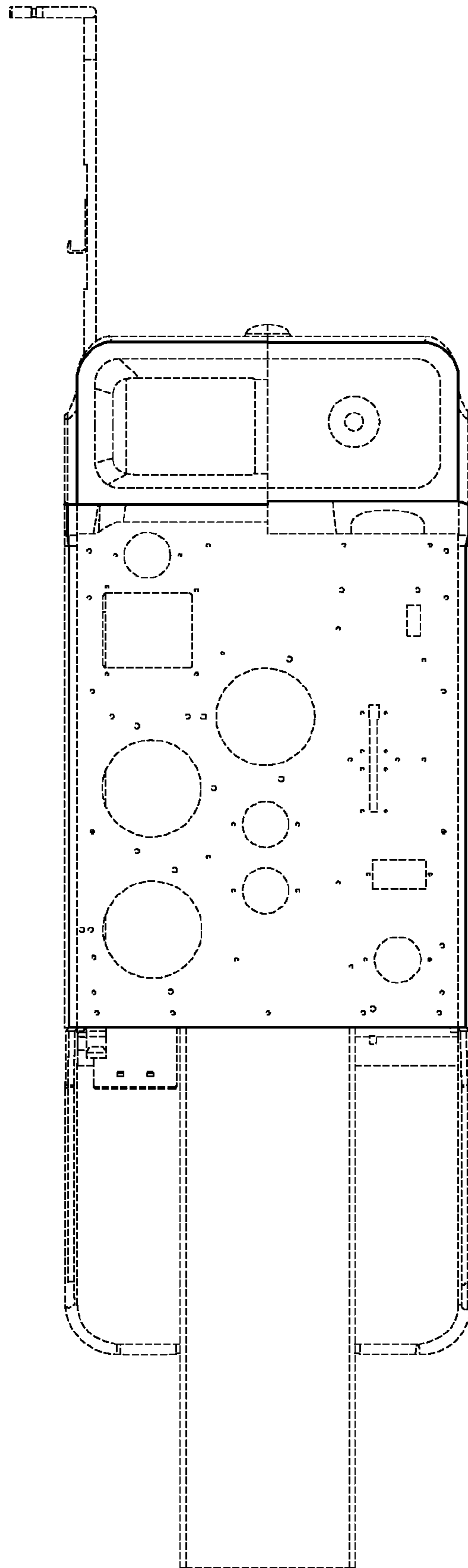


FIG. 3

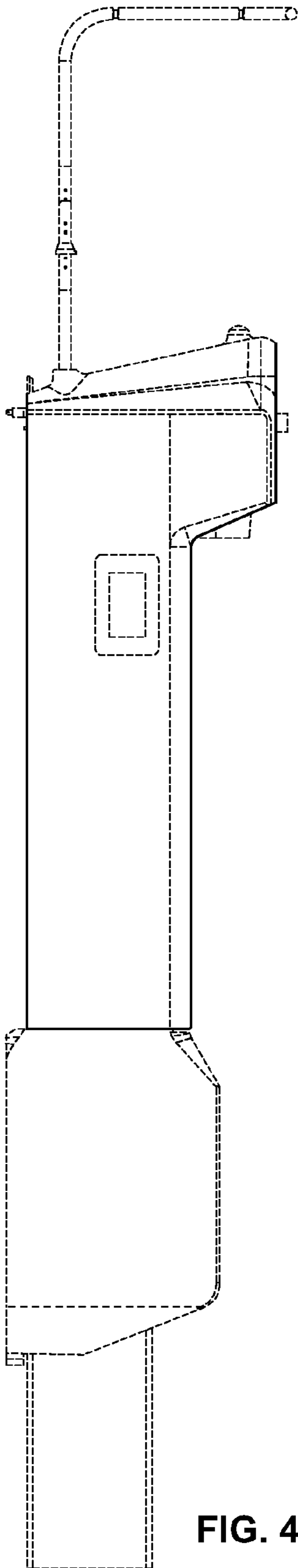


FIG. 4

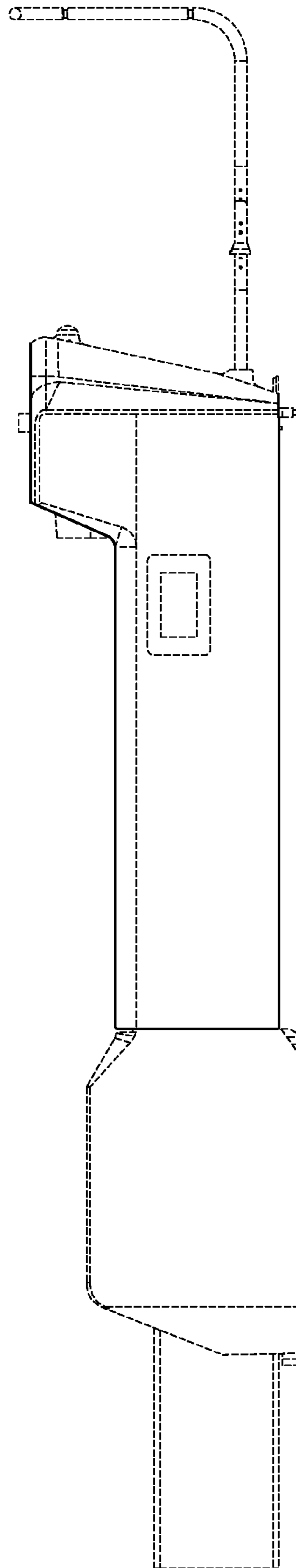


FIG. 5

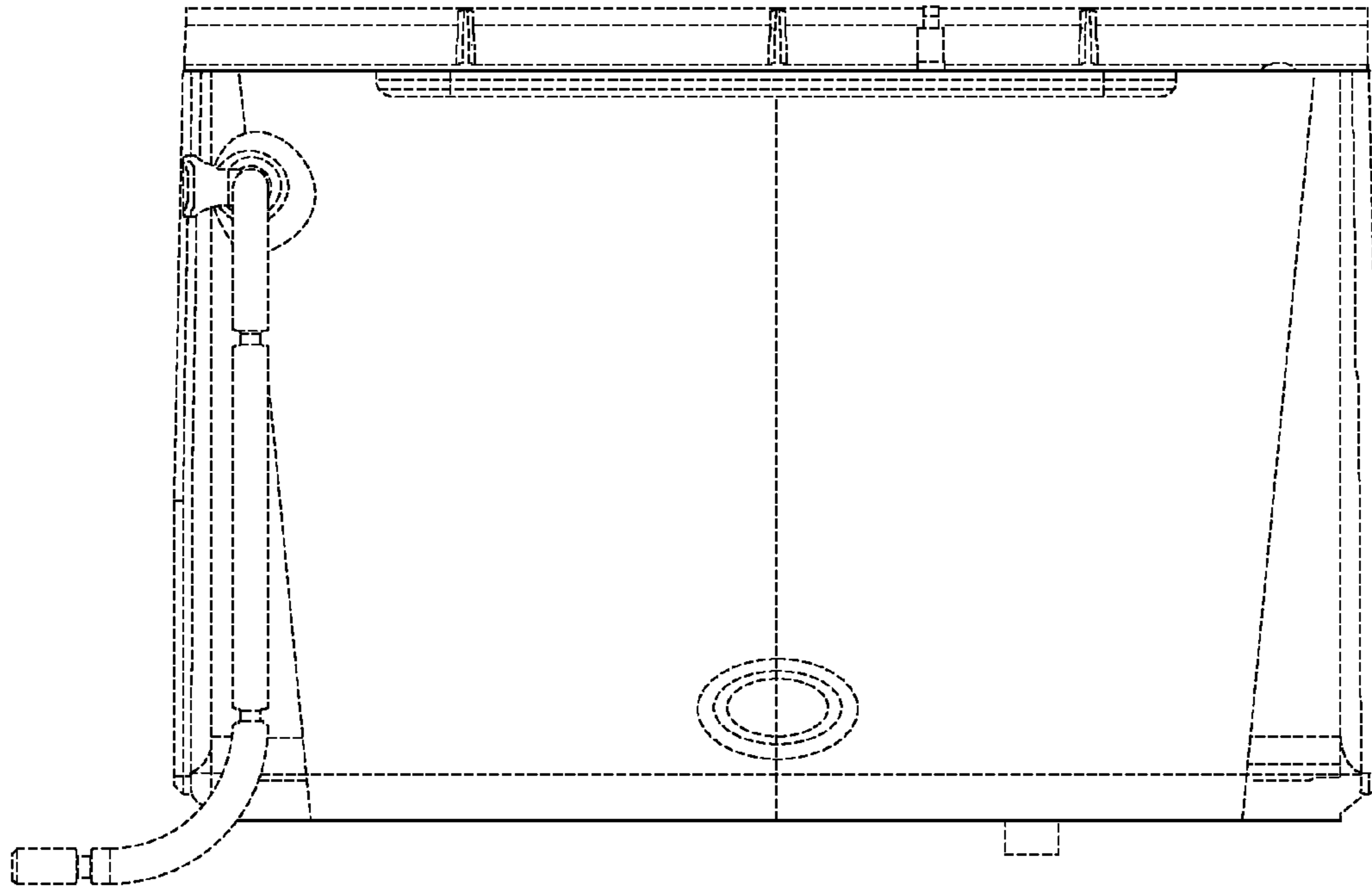


FIG. 6

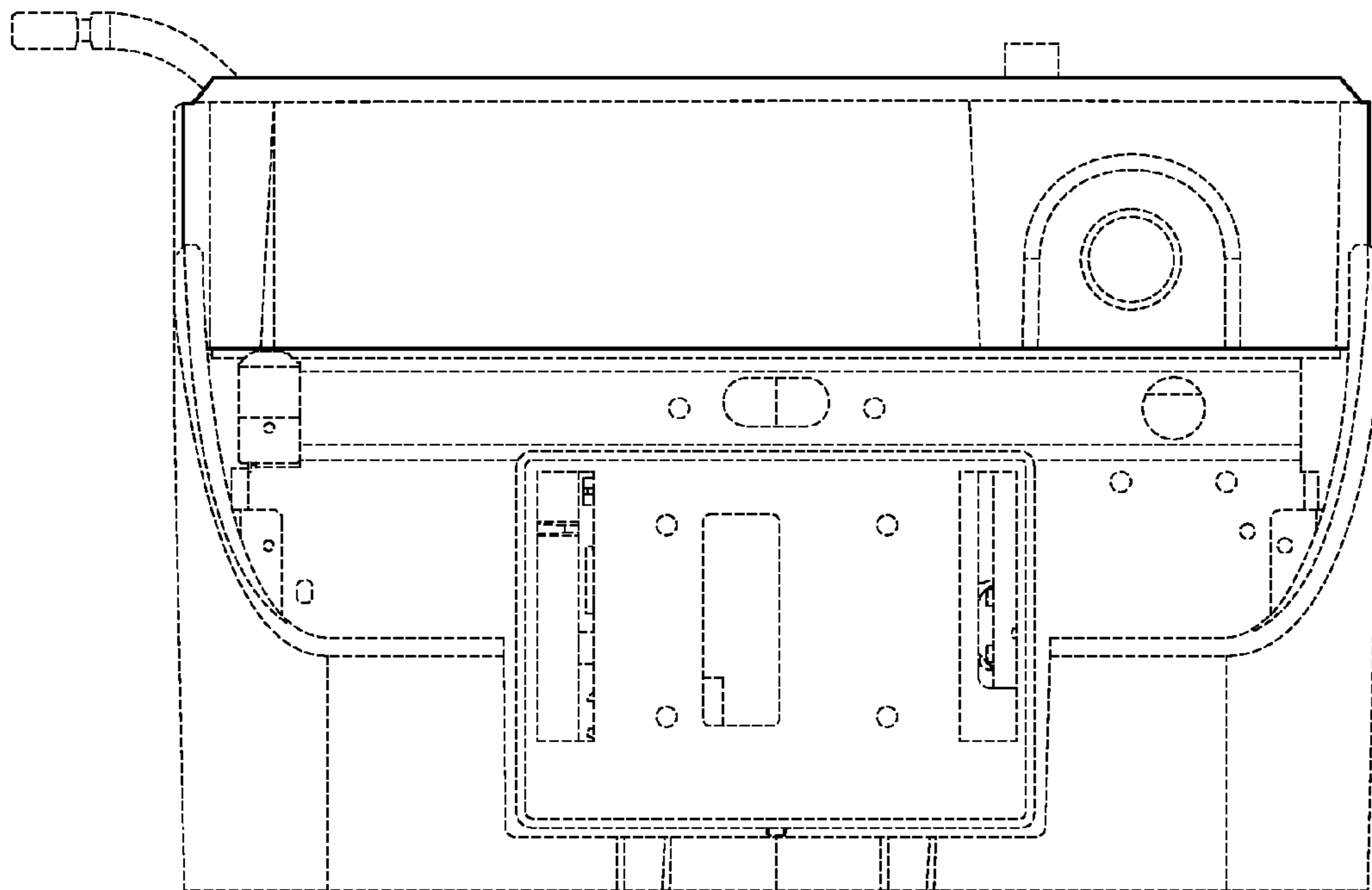


FIG. 7

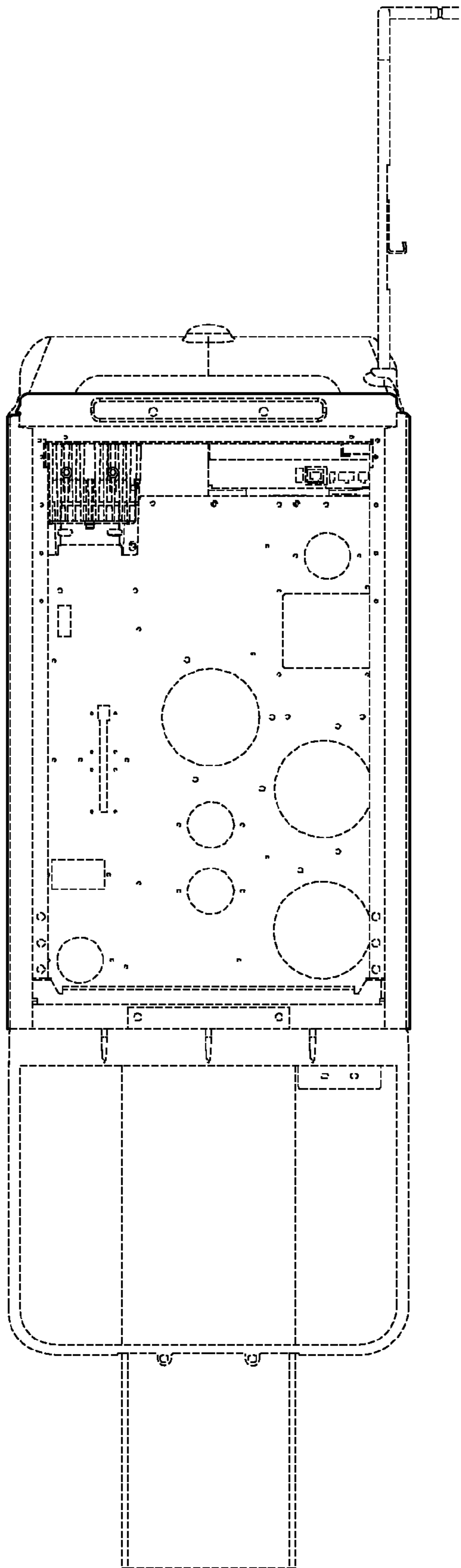


FIG. 8

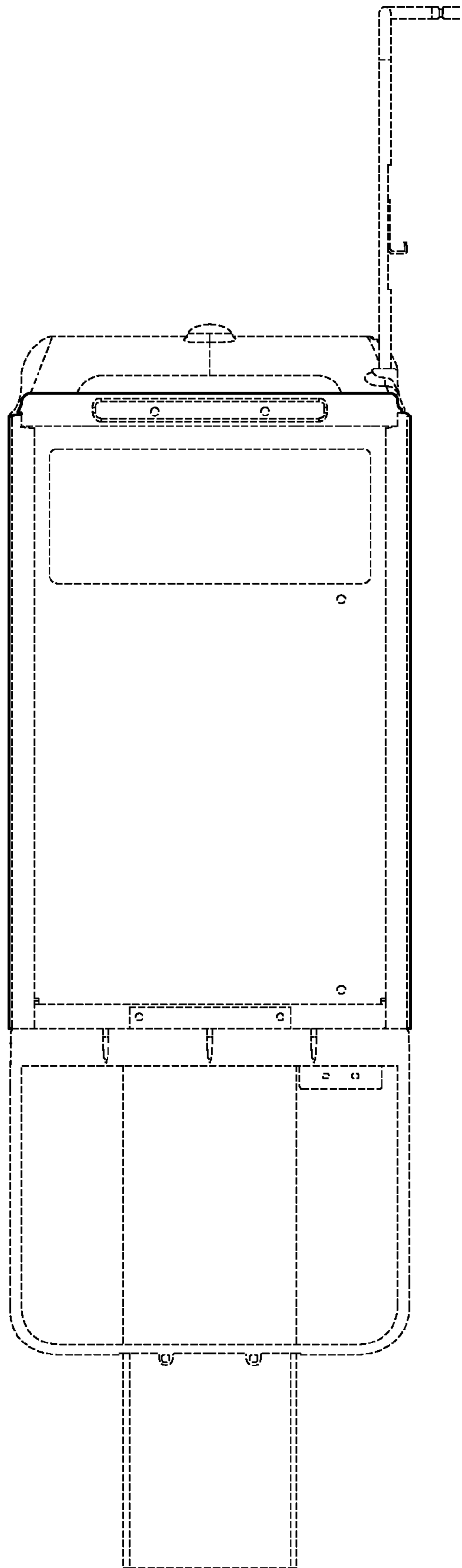


FIG. 9