



US00D694394S

(12) **United States Design Patent**
Polston

(10) **Patent No.:** **US D694,394 S**

(45) **Date of Patent:** **** Nov. 26, 2013**

(54) **RIDGE VENT**

(75) Inventor: **Scott Ross Polston**, New Braunfels, TX
(US)

(73) Assignee: **Ross Manufacturing, LLC**, New
Braunfels, TX (US)

(**) Term: **14 Years**

(21) Appl. No.: **29/420,489**

(22) Filed: **May 9, 2012**

(51) **LOC (9) Cl.** **23-04**

(52) **U.S. Cl.**
USPC **D23/393**

(58) **Field of Classification Search**
USPC D25/139, 199; D23/393, 391; 52/198,
52/199; 454/364, 365, 366, 367
See application file for complete search history.

(56) **References Cited**

U.S. PATENT DOCUMENTS

D283,839	S *	5/1986	Kutsch et al.	D23/393
4,803,813	A	2/1989	Fiterman	
5,095,810	A *	3/1992	Robinson	454/365
5,331,783	A	7/1994	Kasner et al.	
5,535,558	A	7/1996	Ricke et al.	
5,600,928	A	2/1997	Hess et al.	
5,651,734	A	7/1997	Morris	

6,128,869	A	10/2000	Brotherton et al.	
6,227,963	B1	5/2001	Headrick	
6,277,024	B1	8/2001	Coulton	
D457,234	S *	5/2002	O'Hagin et al.	D23/393
6,981,916	B2	1/2006	Coulton	
7,662,037	B2	2/2010	Polston	
2004/0088928	A1	5/2004	Headrick	
2006/0096189	A1 *	5/2006	Pavlansky et al.	52/198
2009/0049769	A1 *	2/2009	Kaseda	52/198

* cited by examiner

Primary Examiner — Doris Clark

(74) *Attorney, Agent, or Firm* — Eric Karich

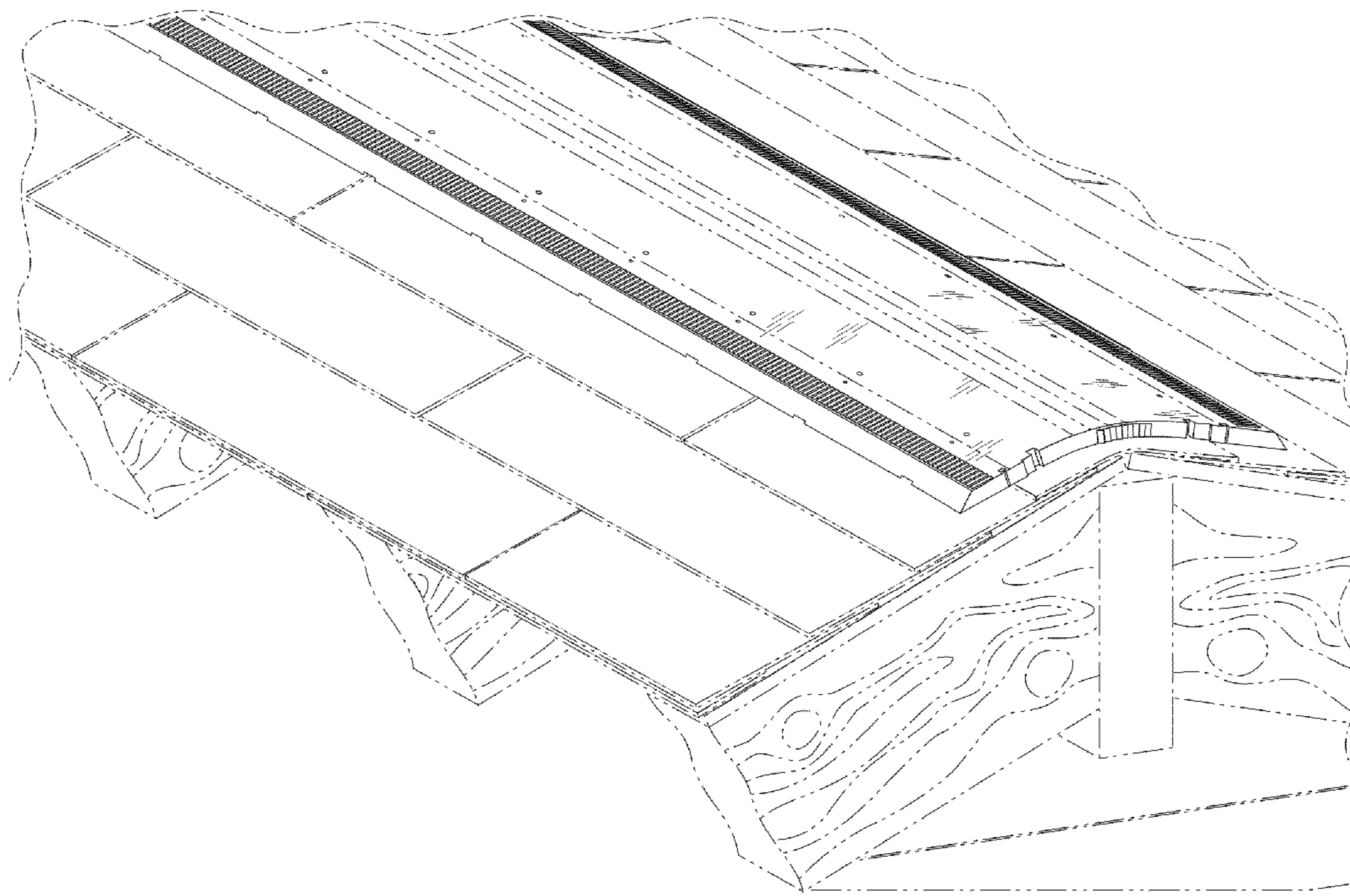
(57) **CLAIM**

The ornamental design for a “ridge vent,” as shown and described.

DESCRIPTION

FIG. 1 is a perspective view of a ridge vent installed on a roof, showing my new design;
FIG. 2 is a top perspective view of the ridge vent;
FIG. 3 is a bottom perspective view thereof;
FIG. 4 is a left end elevational view thereof
FIG. 5 is a right end elevational view thereof;
FIG. 6 is a front elevational view thereof
FIG. 7 is a rear elevational view thereof;
FIG. 8 is a top plan view thereof; and,
FIG. 9 is a bottom plan view thereof.
The broken line showing of a roof in FIG. 1 is for illustrative purposes only and forms no part of the claimed design.

1 Claim, 6 Drawing Sheets



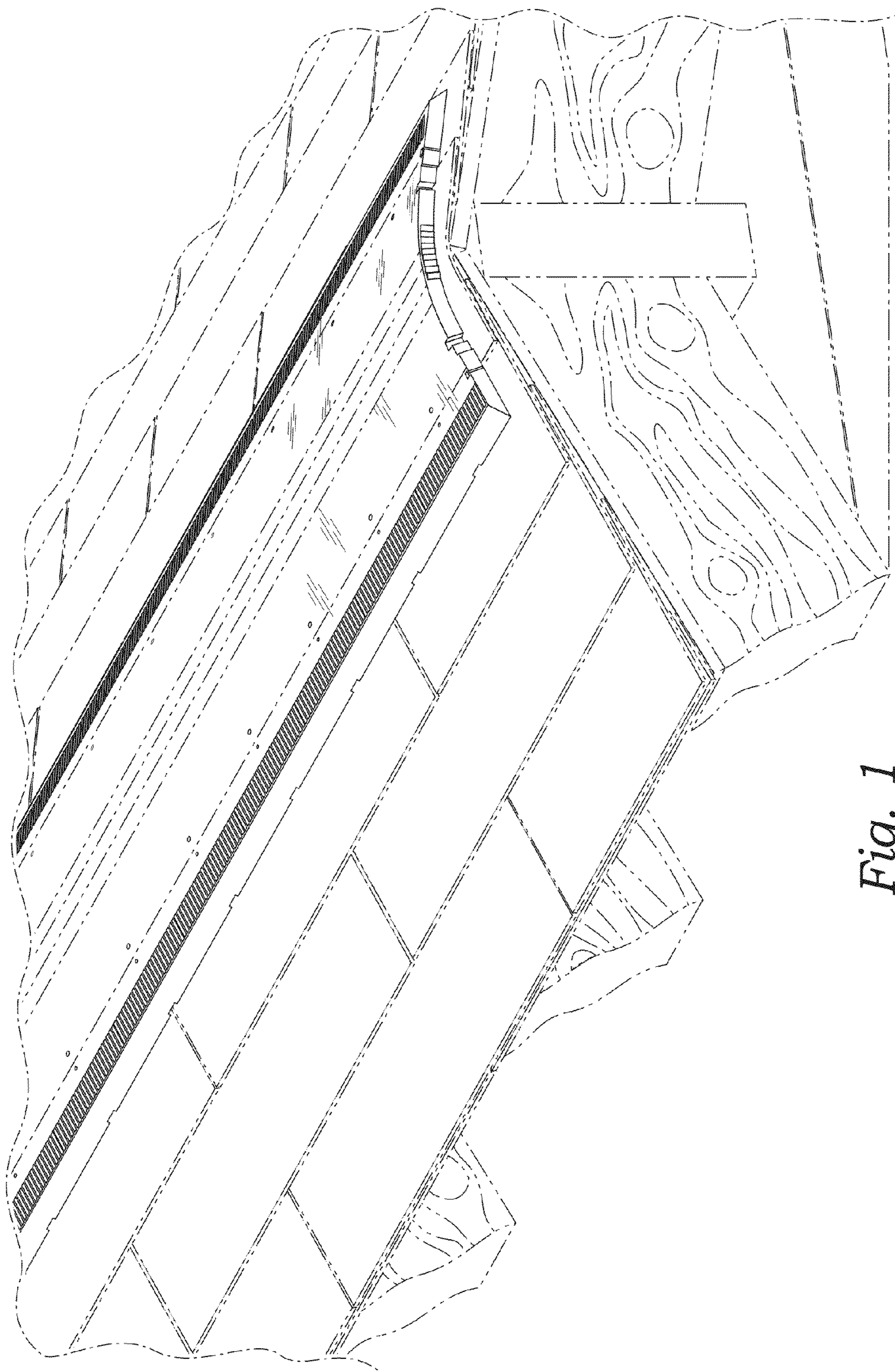


Fig. 1

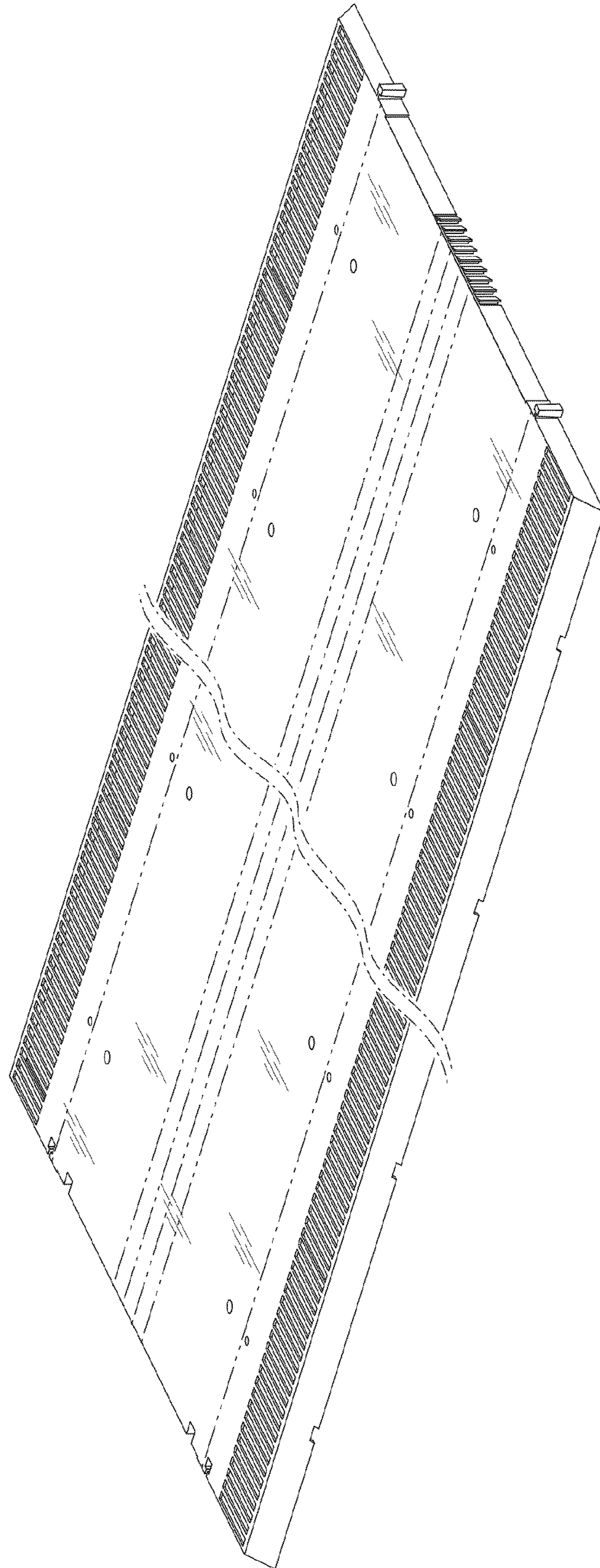


Fig. 2

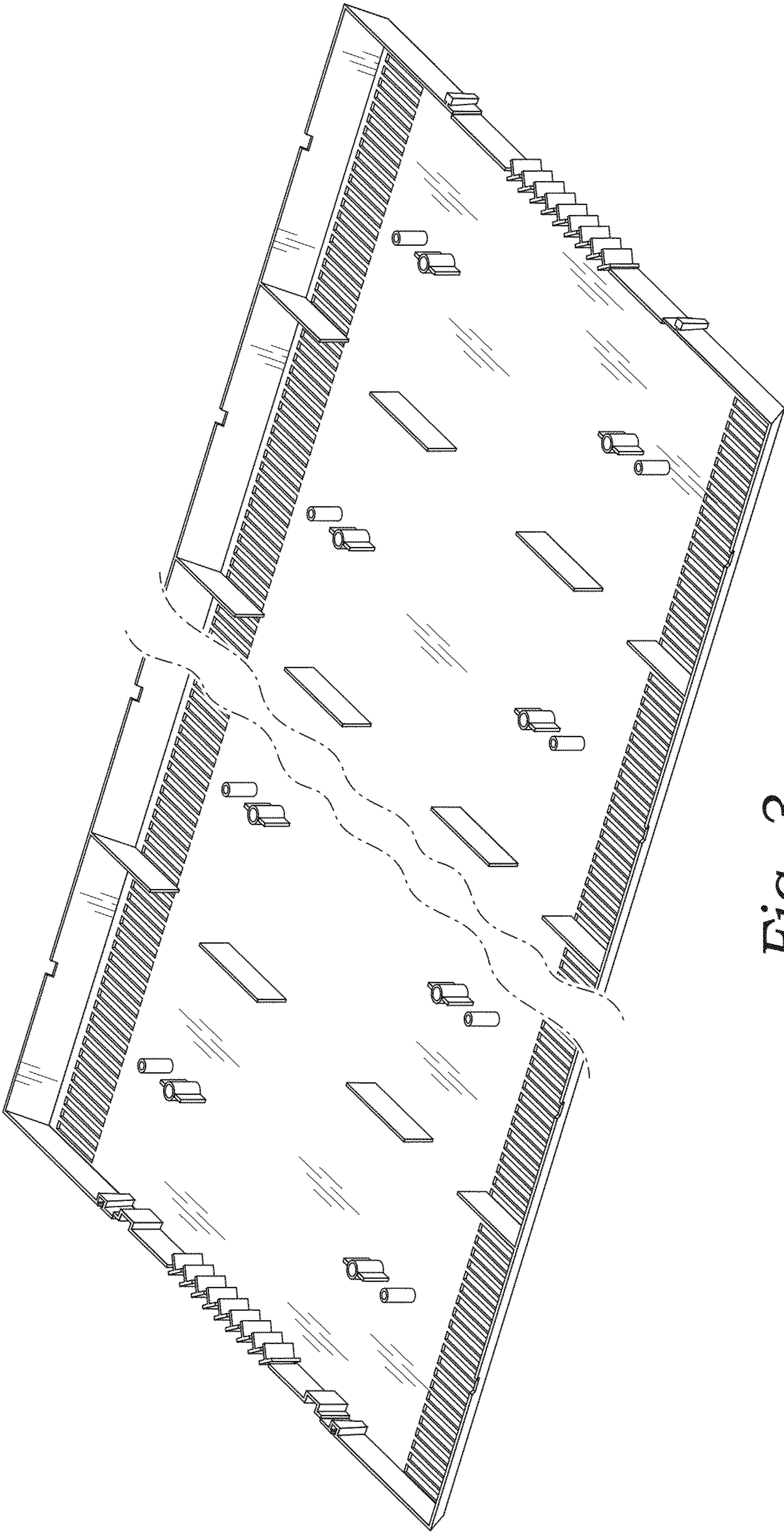


Fig. 3



Fig. 4

Fig. 5

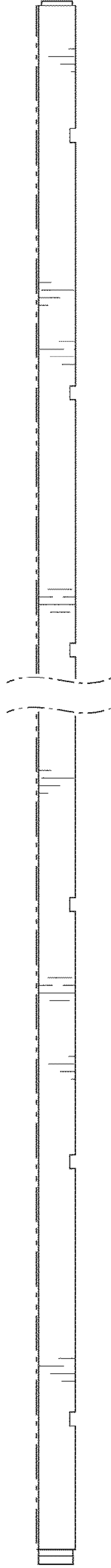


Fig. 6

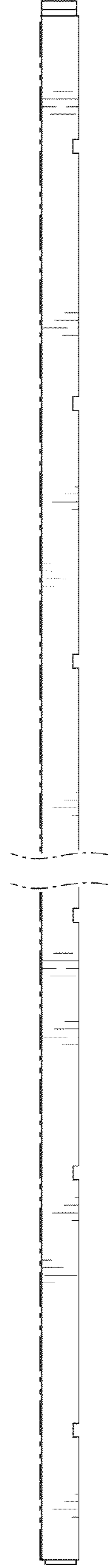


Fig. 7

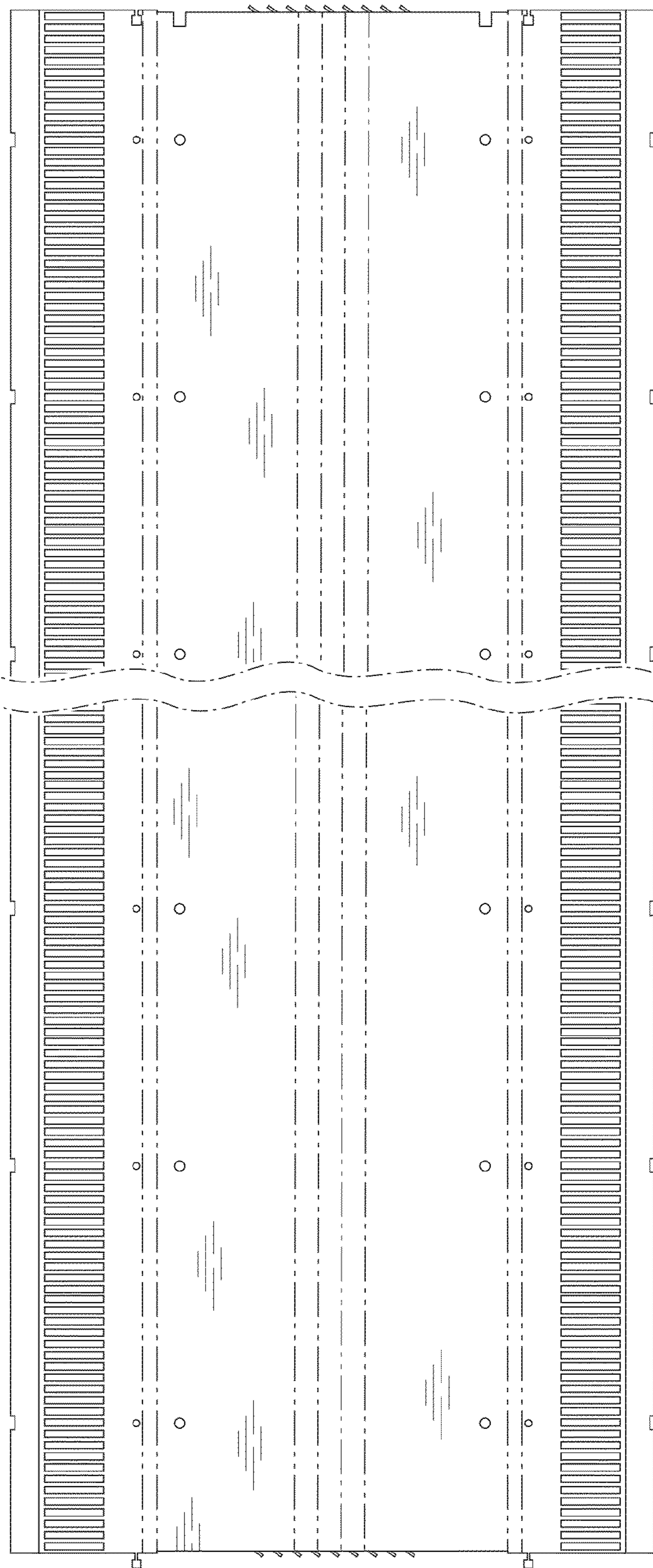


Fig. 8

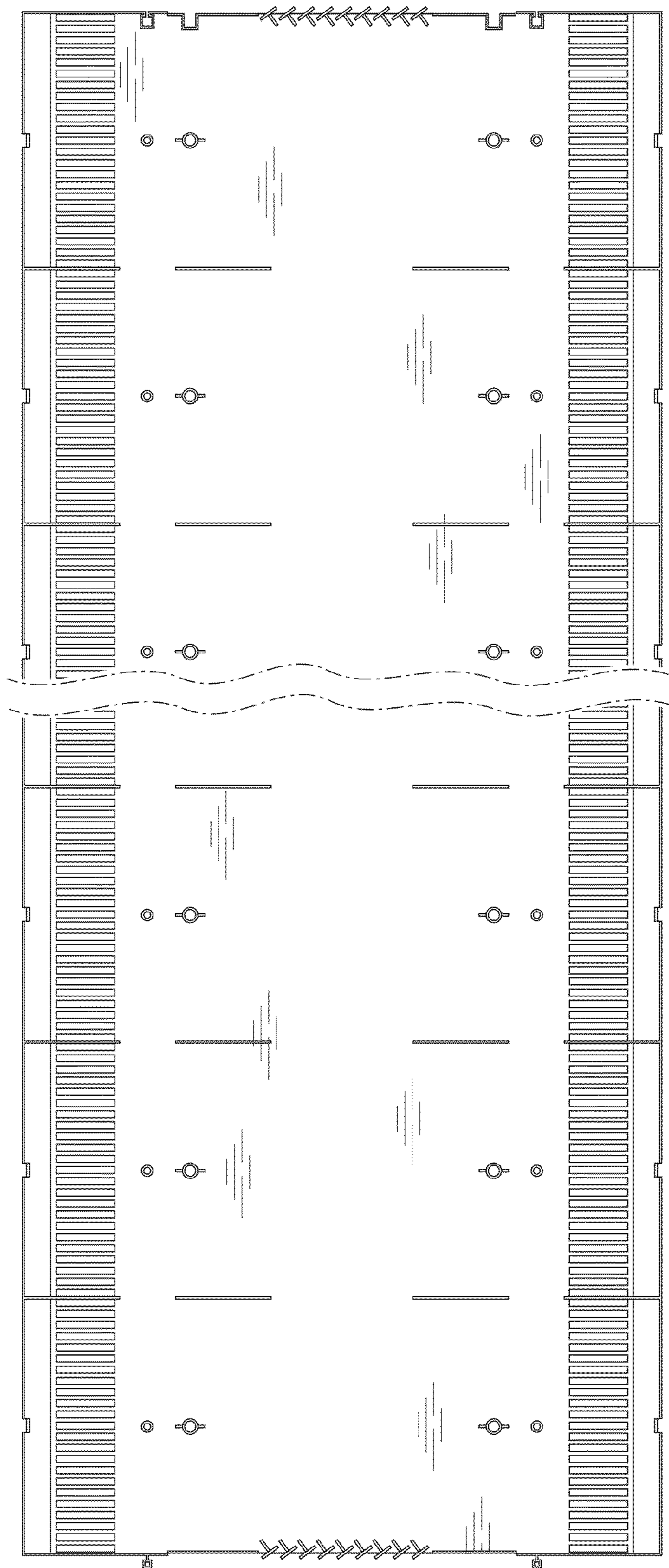


Fig. 9