

US00D694393S

(12) **United States Design Patent**
Funnell, II

(10) **Patent No.:** **US D694,393 S**
(45) **Date of Patent:** **** Nov. 26, 2013**

(54) **KITCHEN VENTILATOR**

(71) Applicant: **BSH Home Appliances Corporation**,
Irvine, CA (US)

(72) Inventor: **Richard W. Funnell, II**, Corona del
Mar, CA (US)

(73) Assignee: **BSH Home Appliances Corporation**,
Irvine, CA (US)

(**) Term: **14 Years**

(21) Appl. No.: **29/452,470**

(22) Filed: **Apr. 17, 2013**

Related U.S. Application Data

(62) Division of application No. 29/410,594, filed on Jan.
10, 2012.

(51) **LOC (9) Cl.** **23-04**

(52) **U.S. Cl.**
USPC **D23/372**

(58) **Field of Classification Search**
USPC D23/355, 370, 371, 372, 373, 381,
D23/386-394, 411-414; D26/51, 59,
D26/81-86; 34/169; 52/302.1; 55/442-444,
55/501, DIG. 36; 123/41.7; 126/299 D,
126/299 E, 299 F, 299 R, 300, 301, 312;
416/5; 454/250-253, 275, 367, 368
See application file for complete search history.

(56) **References Cited**

U.S. PATENT DOCUMENTS

3,834,135 A * 9/1974 Jordan 55/444
4,133,300 A * 1/1979 Burton et al. 126/299 D
D312,685 S * 12/1990 Fleming et al. D23/372
5,267,550 A * 12/1993 Jang 126/299 D

5,824,126 A * 10/1998 Chen 55/501
6,782,885 B1 * 8/2004 Chiang et al. 126/299 R
D532,507 S * 11/2006 Vetter D23/372
D533,933 S * 12/2006 Kashimura D23/372
D565,718 S * 4/2008 Kudo D23/372
D611,590 S * 3/2010 Grey D23/372
D635,235 S * 3/2011 Hoshino et al. D23/372
7,963,282 B2 * 6/2011 Griffin et al. 126/299 E
D659,232 S * 5/2012 Funnell, II D23/371
D677,775 S * 3/2013 Funnell, II D23/371
2006/0157048 A1 * 7/2006 Heilman 126/299 R
2007/0256681 A1 * 11/2007 Chiang et al. 126/299 R

* cited by examiner

Primary Examiner — Caron D Veynar

Assistant Examiner — Martie K Holtje

(74) *Attorney, Agent, or Firm* — James E. Howard; Andre
Pallapies

(57) **CLAIM**

The ornamental design for a kitchen ventilator, as shown and
described.

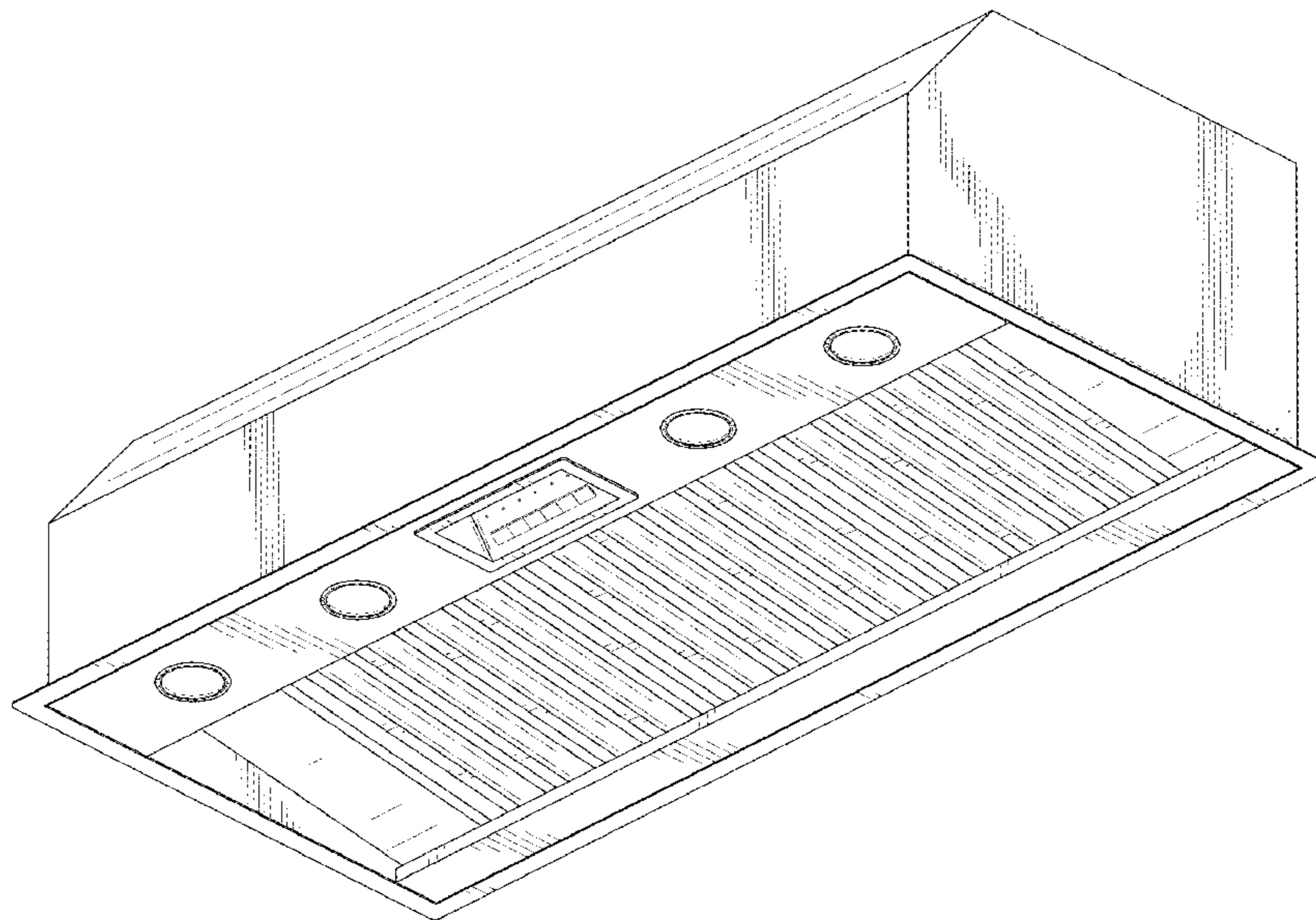
DESCRIPTION

FIG. 1 is a bottom perspective view of a kitchen ventilator
according to my new ornamental design;
FIG. 2 is a front view thereof;
FIG. 3 is a rear view thereof;
FIG. 4 is a top view thereof;
FIG. 5 is a bottom view thereof;
FIG. 6 is a left side view thereof; and,
FIG. 7 is a right side view thereof.

The broken lines represent environment or structure and do
not form any part of the claimed design.

The dotted lines in FIG. 4 delineate an opening and/or indi-
cate the border between claimed, exterior subject matter and
unclaimed, interior feature(s), and do not form any part of the
claimed design.

1 Claim, 5 Drawing Sheets



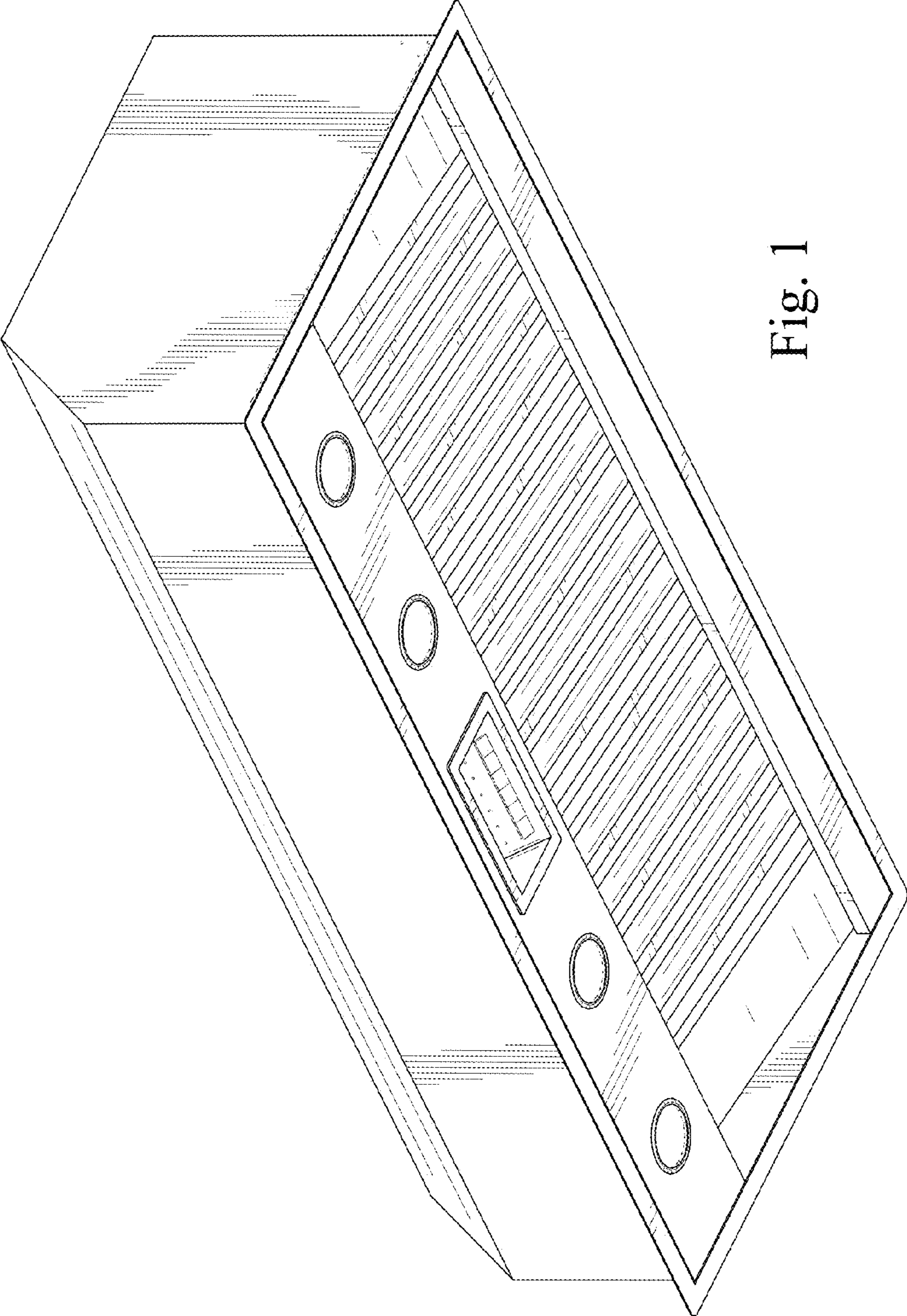


Fig. 1

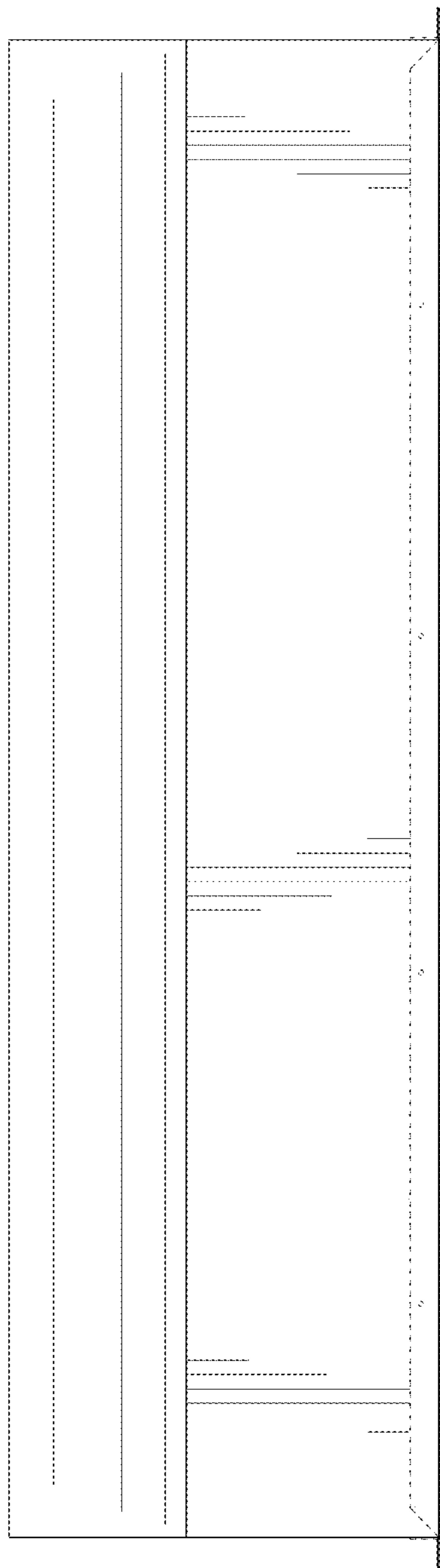


Fig. 2

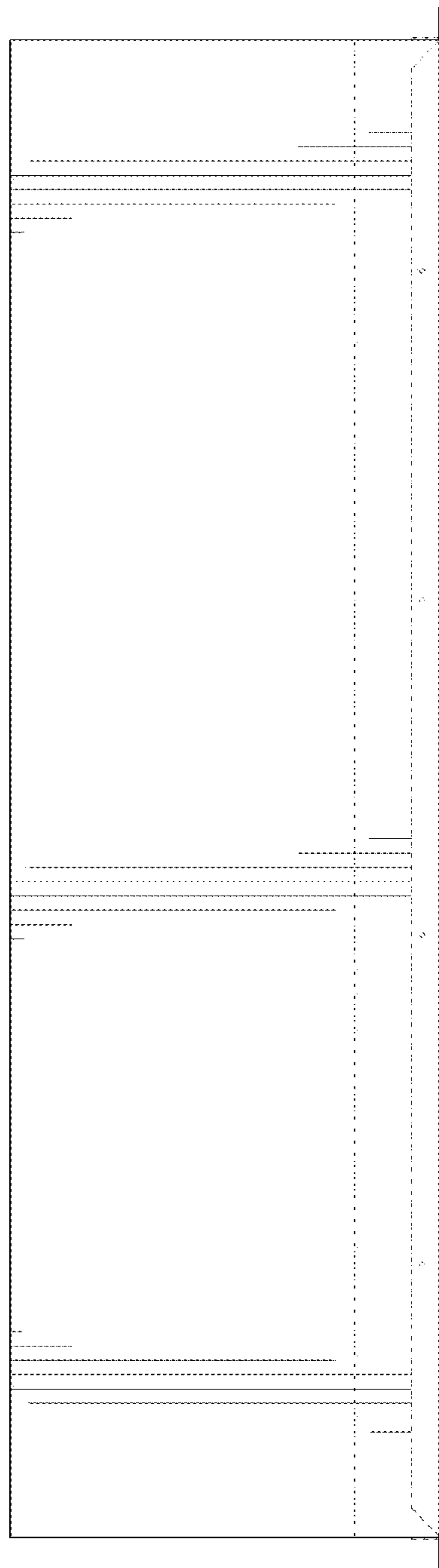


Fig. 3

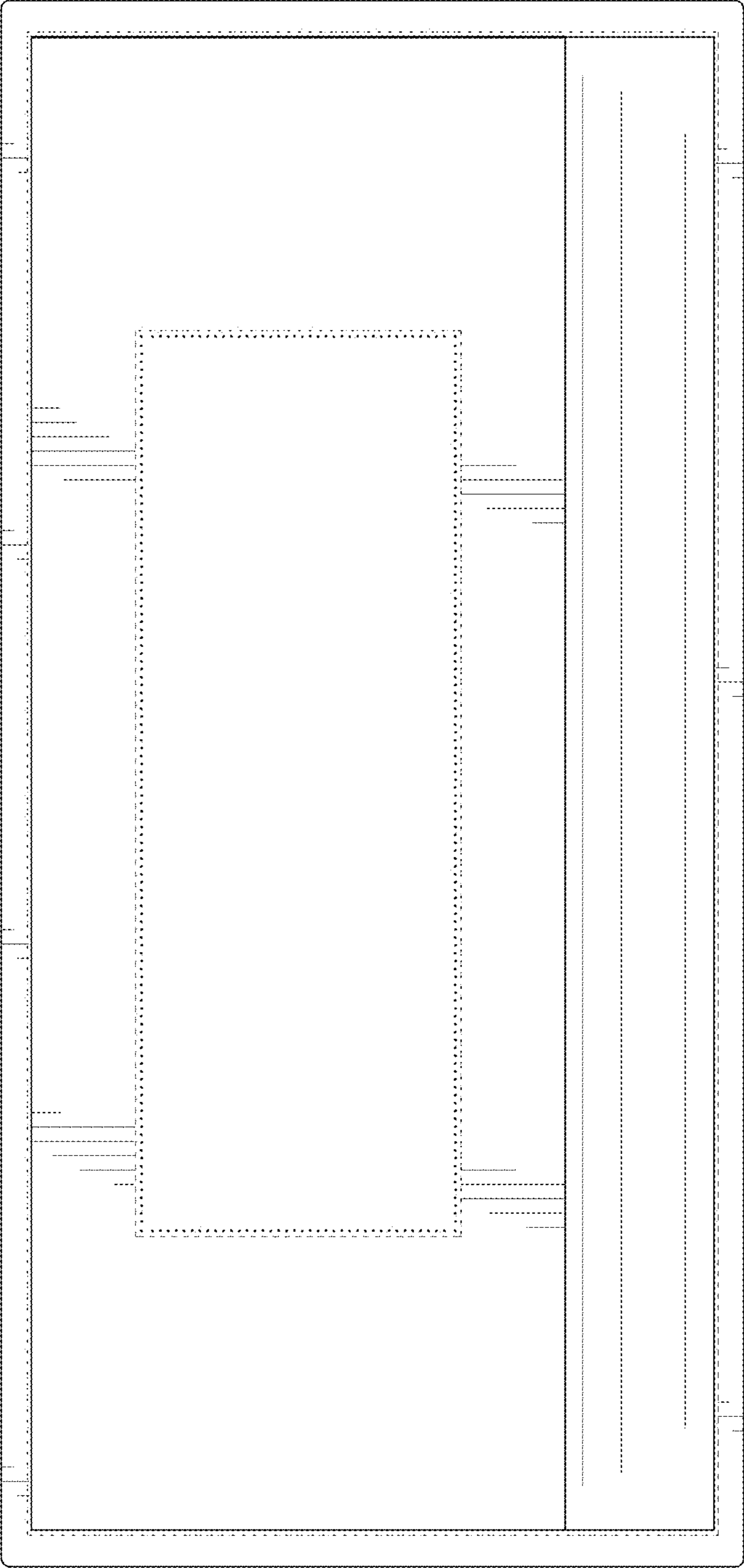


Fig. 4

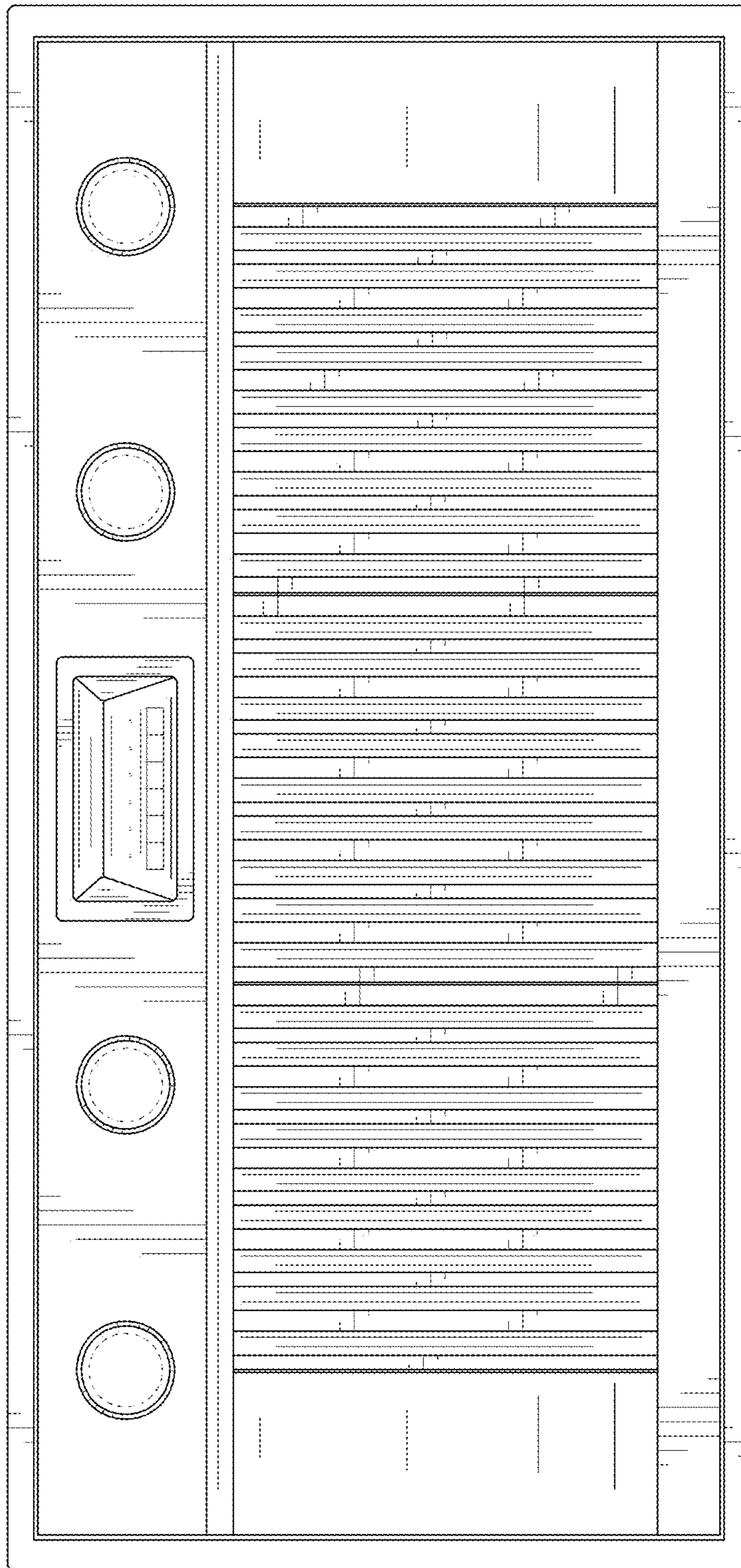


Fig. 5

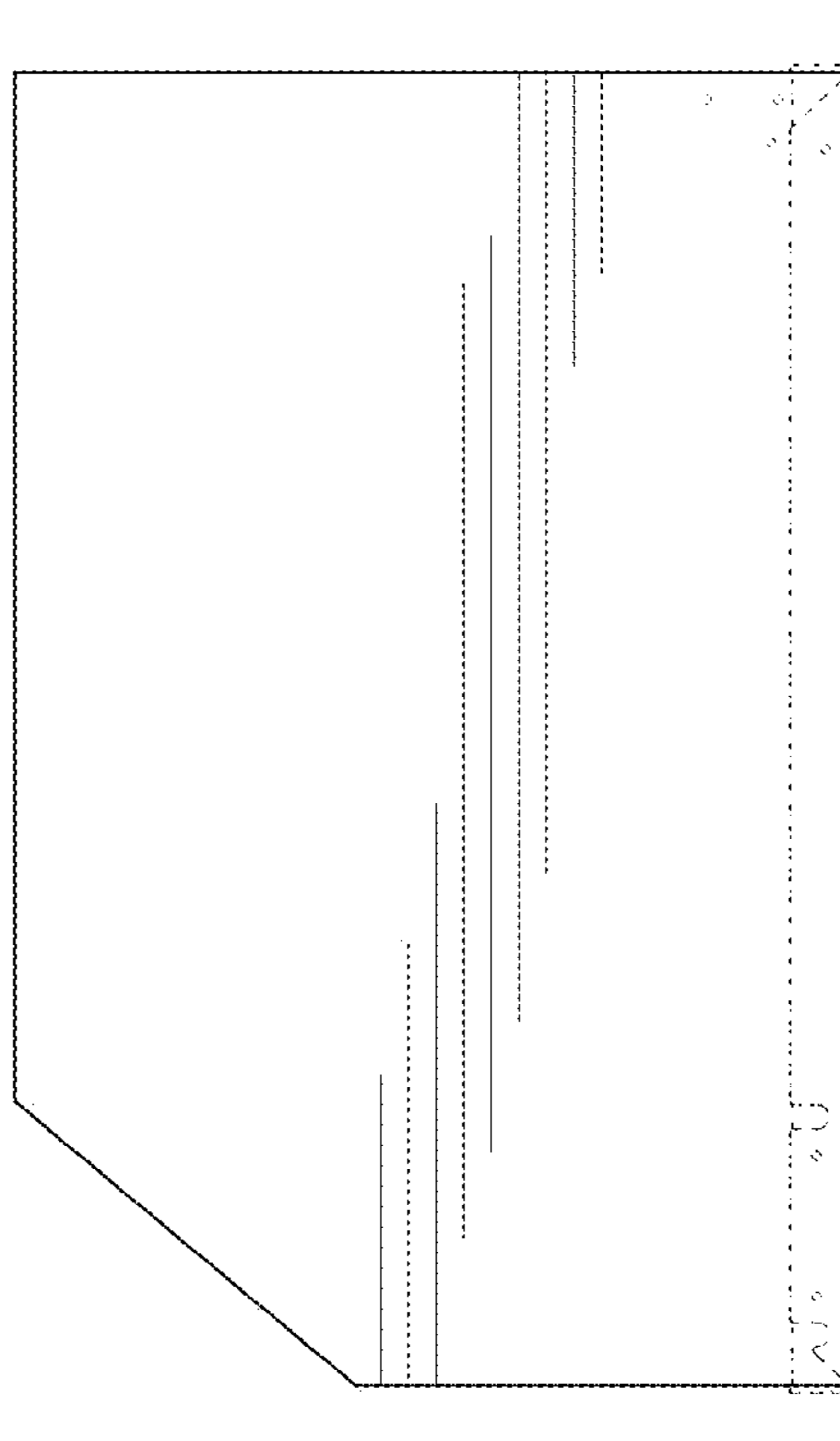


Fig. 6

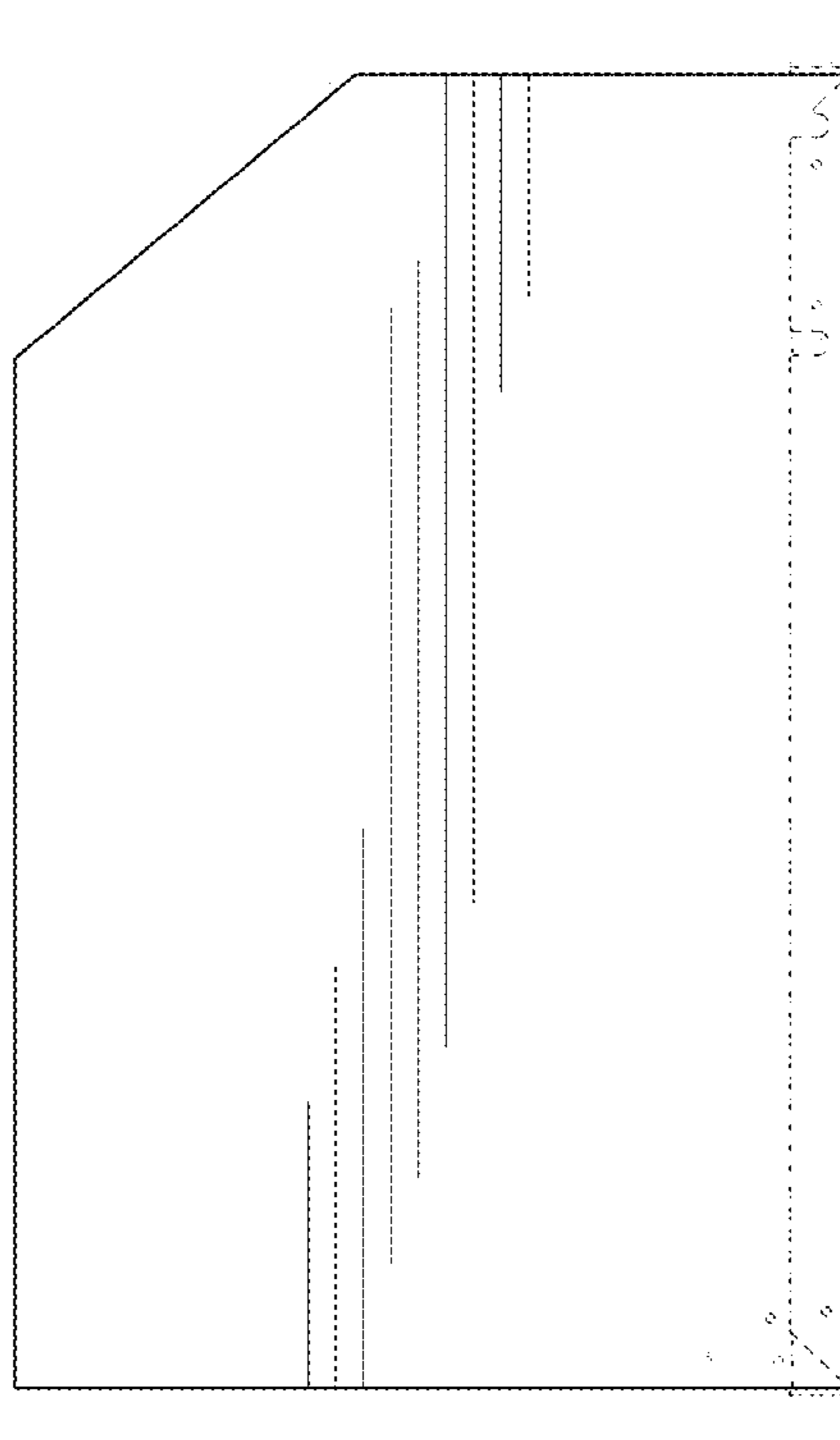


Fig. 7