

US00D694389S

(12) **United States Design Patent**
Sinur et al.

(10) **Patent No.:** **US D694,389 S**

(45) **Date of Patent:** **** Nov. 26, 2013**

(54) **HOOD**

(75) Inventors: **Richard R. Sinur**, West Bend, WI (US);
Brian R. Wellnitz, Grafton, WI (US);
Jeffrey T. DeBord, Worthington, OH (US);
Igor Zemskov, Dublin, OH (US);
Jay F. Perkins, Pickerington, OH (US)

(73) Assignee: **Broan-NuTone LLC**, Hartford, WI (US)

(**) Term: **14 Years**

(21) Appl. No.: **29/419,786**

(22) Filed: **May 1, 2012**

(51) **LOC (9) Cl.** **23-04**

(52) **U.S. Cl.**
USPC **D23/372**

(58) **Field of Classification Search**
USPC D23/370-385, 411-414, 365; 415/60,
415/66, 68, 208.1, 213.1, 214.1; 310/257;
361/695; 126/299 D, 299 R

See application file for complete search history.

(56) **References Cited**

U.S. PATENT DOCUMENTS

5,062,410	A *	11/1991	Sarnosky et al.	126/299 D
D326,925	S *	6/1992	Hogan	D26/59
D327,538	S *	6/1992	Falk et al.	D23/365
D361,376	S *	8/1995	Isabelle et al.	D23/372
D367,319	S *	2/1996	Isabelle et al.	D23/372
D436,658	S *	1/2001	Goulet	D23/372
6,698,419	B2 *	3/2004	Lee	126/299 R
D488,215	S *	4/2004	Roberts et al.	D23/373

D535,381	S *	1/2007	Chiang et al.	D23/372
D570,982	S *	6/2008	Phillips	D23/372
D577,806	S *	9/2008	Grey et al.	D23/372
D580,041	S *	11/2008	Kudo	D23/372
D580,540	S *	11/2008	Kudo	D23/372
D594,956	S *	6/2009	Blanchette et al.	D23/372
D602,145	S *	10/2009	Grey	D23/372
D602,578	S *	10/2009	Grey	D23/372
D610,670	S *	2/2010	Grey	D23/372
D622,372	S *	8/2010	Grey et al.	D23/372
D622,373	S *	8/2010	Grey et al.	D23/372
7,836,877	B2 *	11/2010	Gagas et al.	126/299 D
8,020,549	B2 *	9/2011	Huber et al.	126/299 R
8,312,873	B2 *	11/2012	Gagas et al.	126/299 D

* cited by examiner

Primary Examiner — Susan Bennett Hattan

Assistant Examiner — Janice Hallmark

(74) *Attorney, Agent, or Firm* — Greenberg Traurig LLP

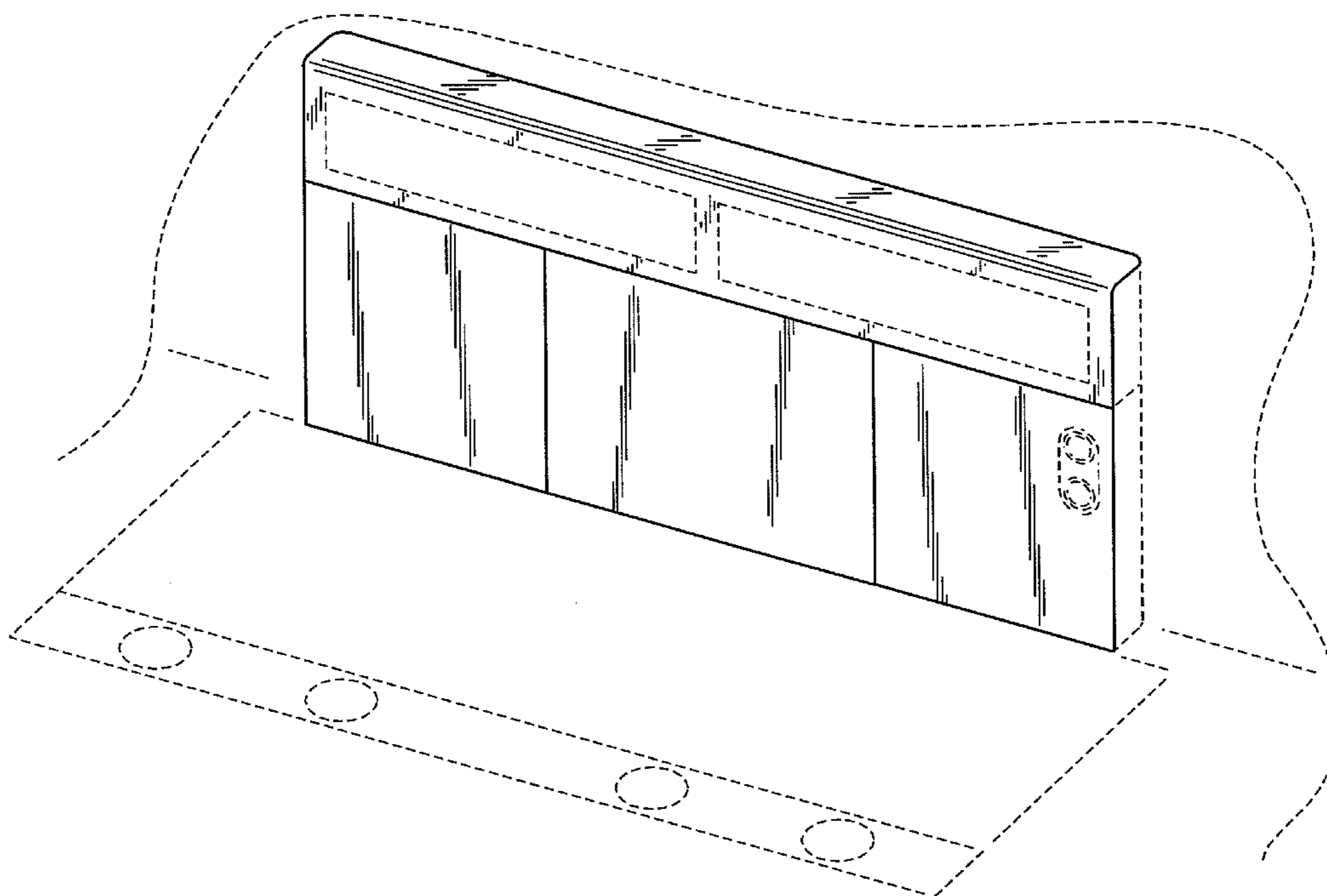
(57) **CLAIM**

We claim the ornamental design for a hood, as shown and described.

DESCRIPTION

FIG. 1 is a perspective view of a hood;
FIG. 2 is a side view of the hood of FIG. 1;
FIG. 3 is a front view of the hood of FIG. 1;
FIG. 4 is a top view of the hood of FIG. 1;
FIG. 5 is a rear view of the hood of FIG. 1; and,
FIG. 6 is a bottom view of the hood of FIG. 1.
The features shown in broken lines depict environmental subject matter only and form no part of the claimed design.

1 Claim, 3 Drawing Sheets



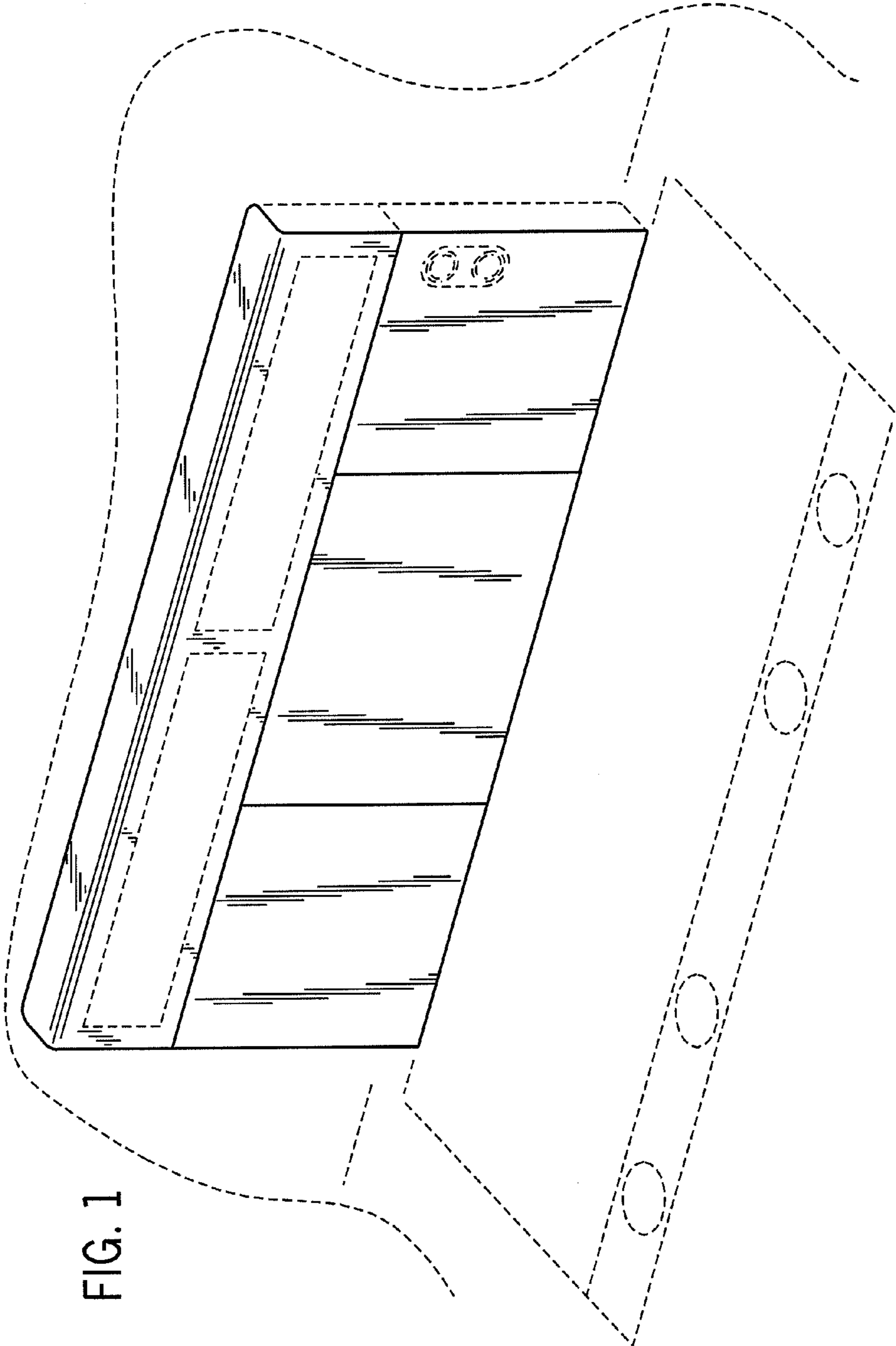


FIG. 1

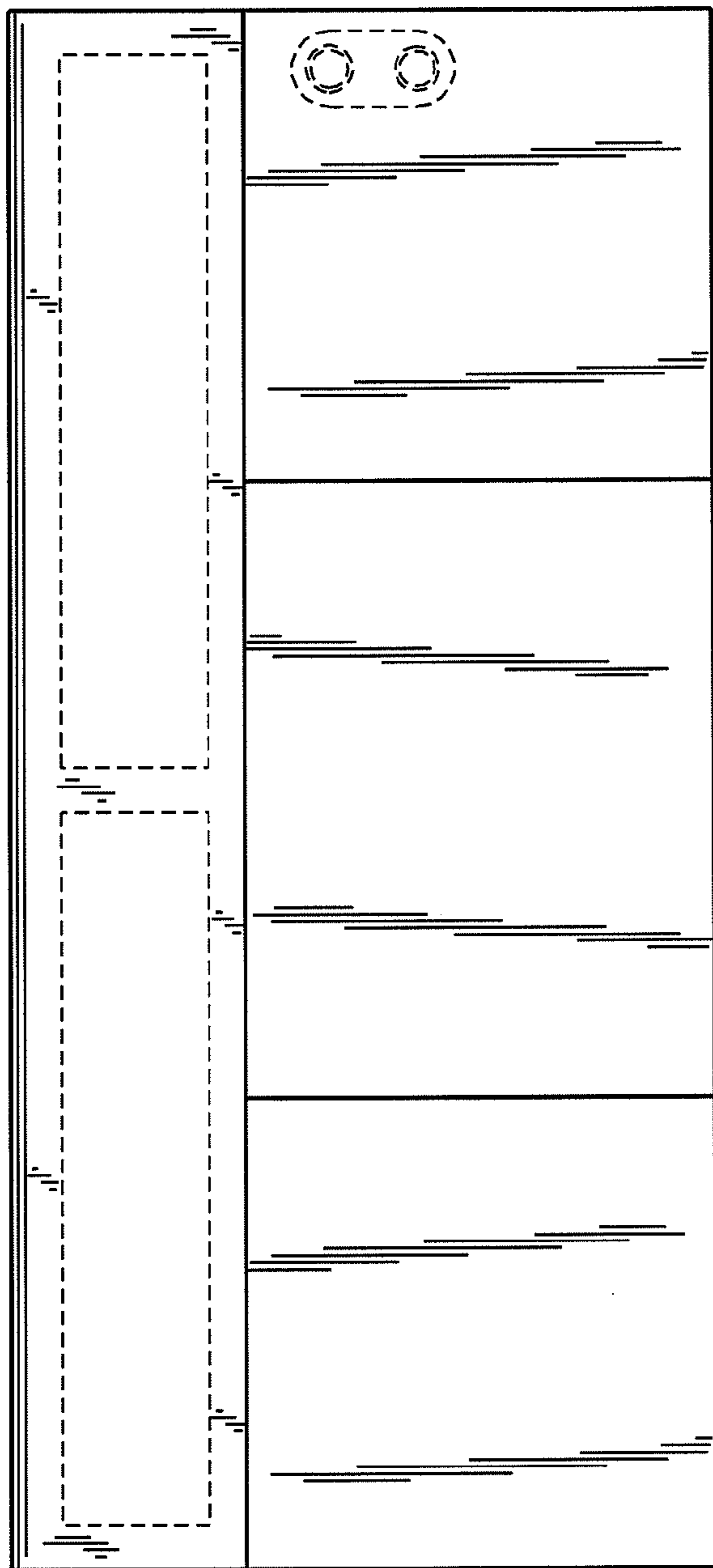


FIG. 2

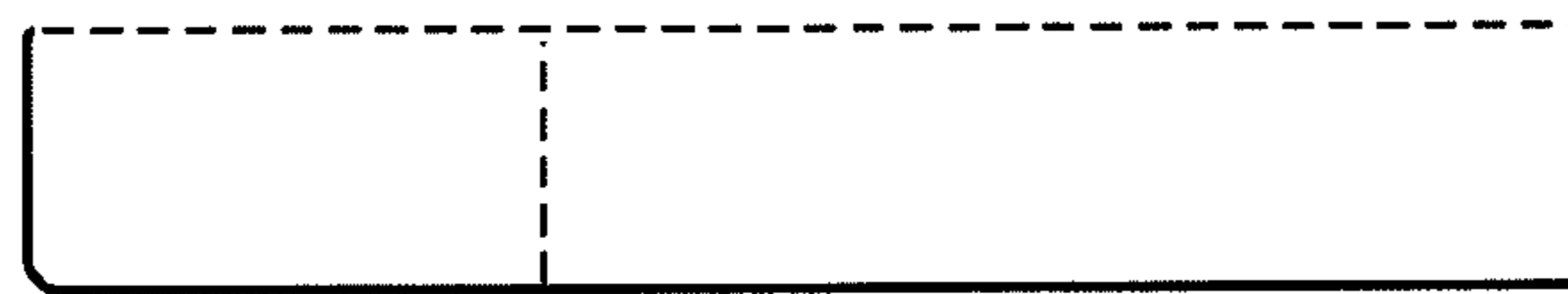


FIG. 3



FIG. 4

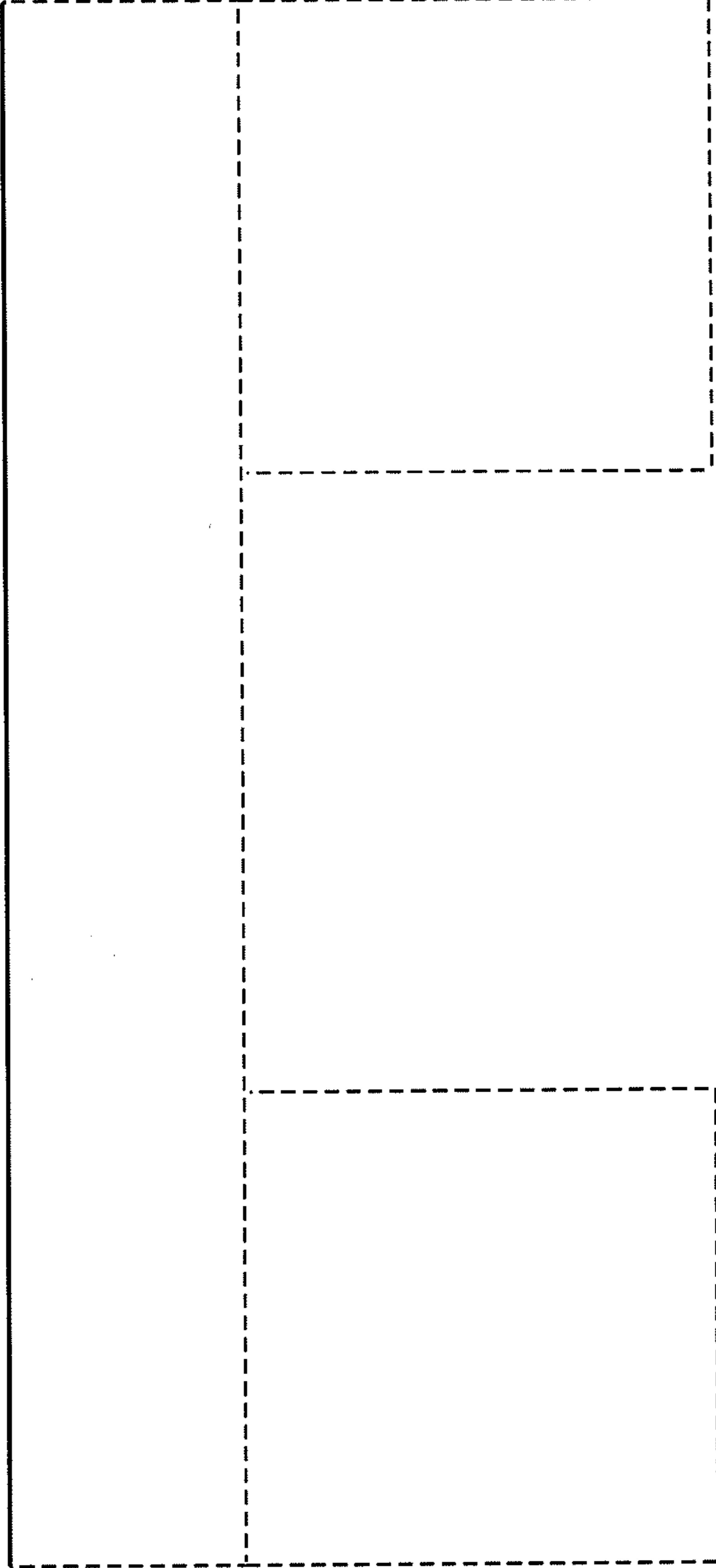


FIG. 5

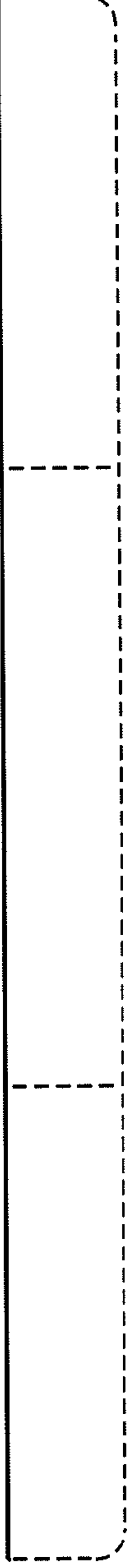


FIG. 6