

US00D694386S

(12) **United States Design Patent**  
**Sinur et al.**

(10) **Patent No.:** **US D694,386 S**  
(45) **Date of Patent:** **\*\* Nov. 26, 2013**

(54) **HOOD**

(75) Inventors: **Richard R. Sinur**, West Bend, WI (US);  
**Brian R. Wellnitz**, Grafton, WI (US);  
**Jeffrey T. DeBord**, Worthington, OH (US);  
**Igor Zemskov**, Dublin, OH (US);  
**Jay F. Perkins**, Pickerington, OH (US)

(73) Assignee: **Broan-NuTone LLC**, Hartford, WI (US)

(\*\*) Term: **14 Years**

(21) Appl. No.: **29/419,781**

(22) Filed: **May 1, 2012**

(51) **LOC (9) Cl.** ..... **23-04**

(52) **U.S. Cl.**  
USPC ..... **D23/372**

(58) **Field of Classification Search**  
USPC ..... D23/370-385, 411-414, 365; 415/60,  
415/66, 68, 208.1, 213.1, 214.1; 310/257;  
361/695; 126/299 D, 299 R

See application file for complete search history.

(56) **References Cited**

**U.S. PATENT DOCUMENTS**

5,062,410	A *	11/1991	Sarnosky et al.	.....	126/299 D
D326,925	S *	6/1992	Hogan	.....	D26/59
D327,538	S *	6/1992	Falk et al.	.....	D23/365
D361,376	S *	8/1995	Isabelle et al.	.....	D23/372
D367,319	S *	2/1996	Isabelle et al.	.....	D23/372
D436,658	S *	1/2001	Goulet	.....	D23/372
6,698,419	B2 *	3/2004	Lee	.....	126/299 R
D488,215	S *	4/2004	Roberts et al.	.....	D23/373
D535,381	S *	1/2007	Chiang et al.	.....	D23/372
D570,982	S *	6/2008	Phillips	.....	D23/372

D577,806	S *	9/2008	Grey et al.	.....	D23/372
D580,041	S *	11/2008	Kudo	.....	D23/372
D580,540	S *	11/2008	Kudo	.....	D23/372
D594,956	S *	6/2009	Blanchette et al.	.....	D23/372
D602,145	S *	10/2009	Grey	.....	D23/372
D602,578	S *	10/2009	Grey	.....	D23/372
D610,670	S *	2/2010	Grey	.....	D23/372
D622,372	S *	8/2010	Grey et al.	.....	D23/372
D622,373	S *	8/2010	Grey et al.	.....	D23/372
7,836,877	B2 *	11/2010	Gagas et al.	.....	126/299 D
8,020,549	B2 *	9/2011	Huber et al.	.....	126/299 R
8,312,873	B2 *	11/2012	Gagas et al.	.....	126/299 D

\* cited by examiner

*Primary Examiner* — Susan Bennett Hattan

*Assistant Examiner* — Janice Hallmark

(74) *Attorney, Agent, or Firm* — Greenberg Traurig LLP

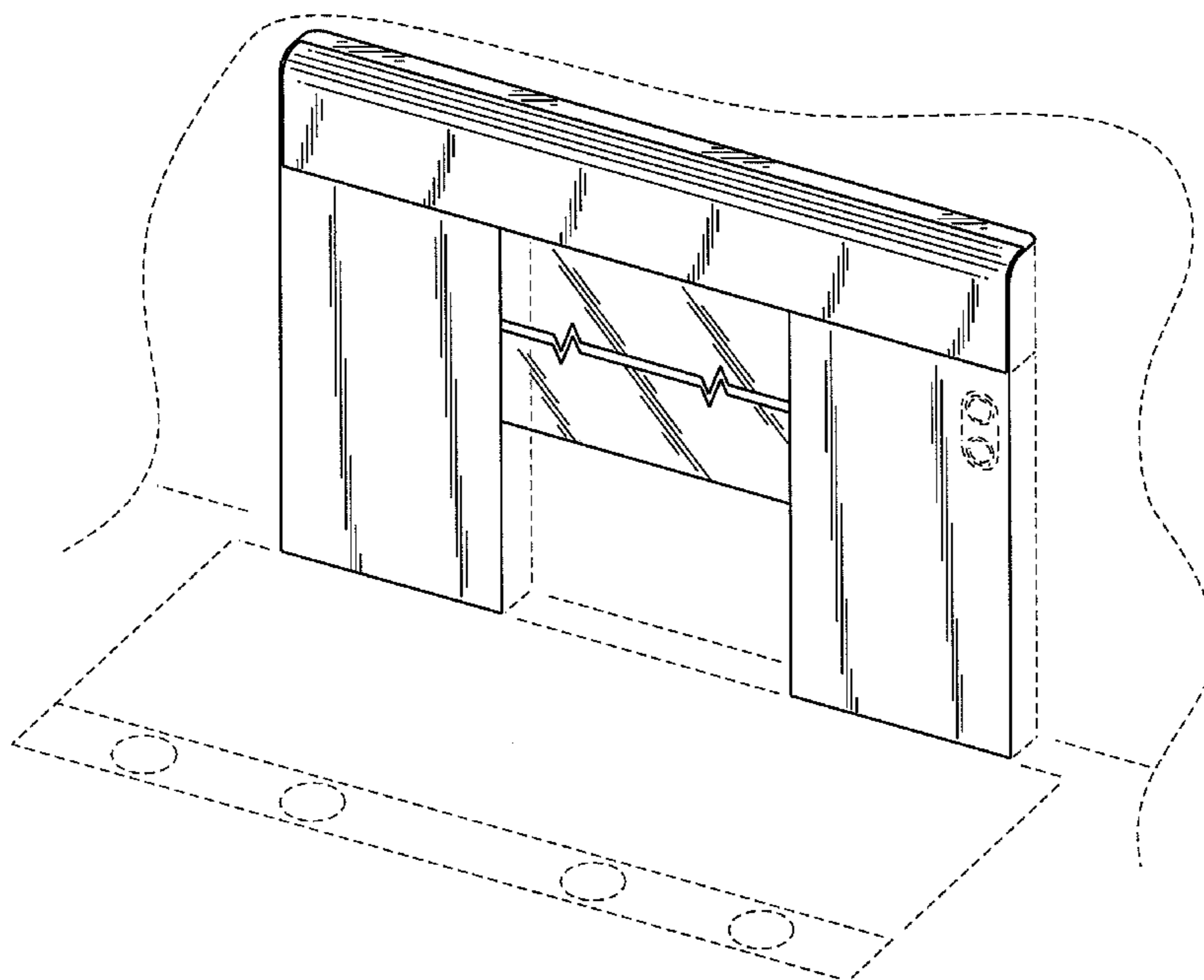
(57) **CLAIM**

We claim the ornamental design for a hood, as shown and described.

**DESCRIPTION**

FIG. 1 is a perspective view of a hood;  
FIG. 2 is a side view of the hood of FIG. 1;  
FIG. 3 is a front view of the hood of FIG. 1;  
FIG. 4 is a top view of the hood of FIG. 1;  
FIG. 5 is a rear view of the hood of FIG. 1; and,  
FIG. 6 is a bottom view of the hood of FIG. 1.  
The features shown in broken lines depict environmental subject matter only and form no part of the claimed design.  
The hood is shown with a symbolic break in its length. The appearance of any portion of the article between the break lines forms no part of the claimed design.

**1 Claim, 3 Drawing Sheets**



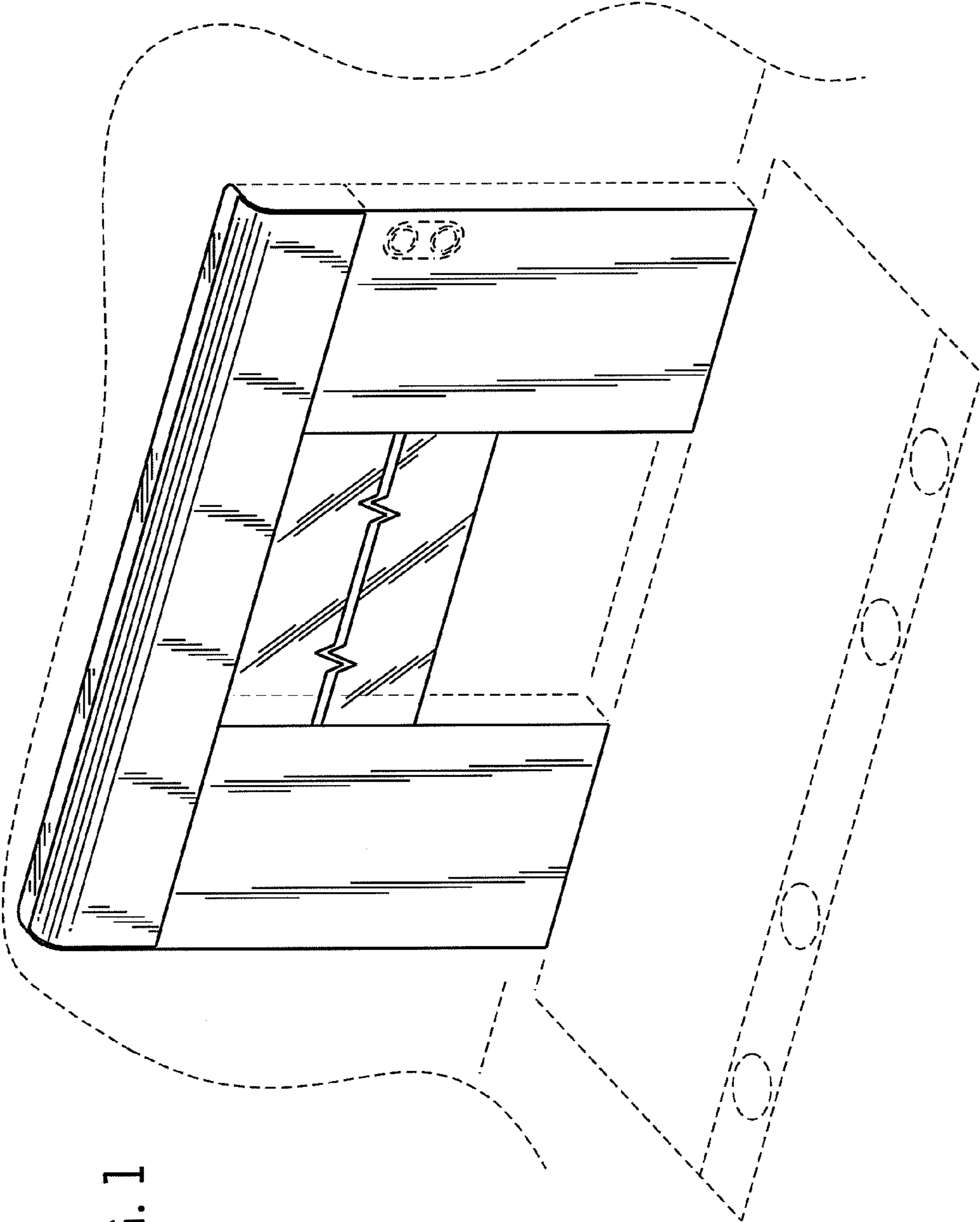


FIG. 1

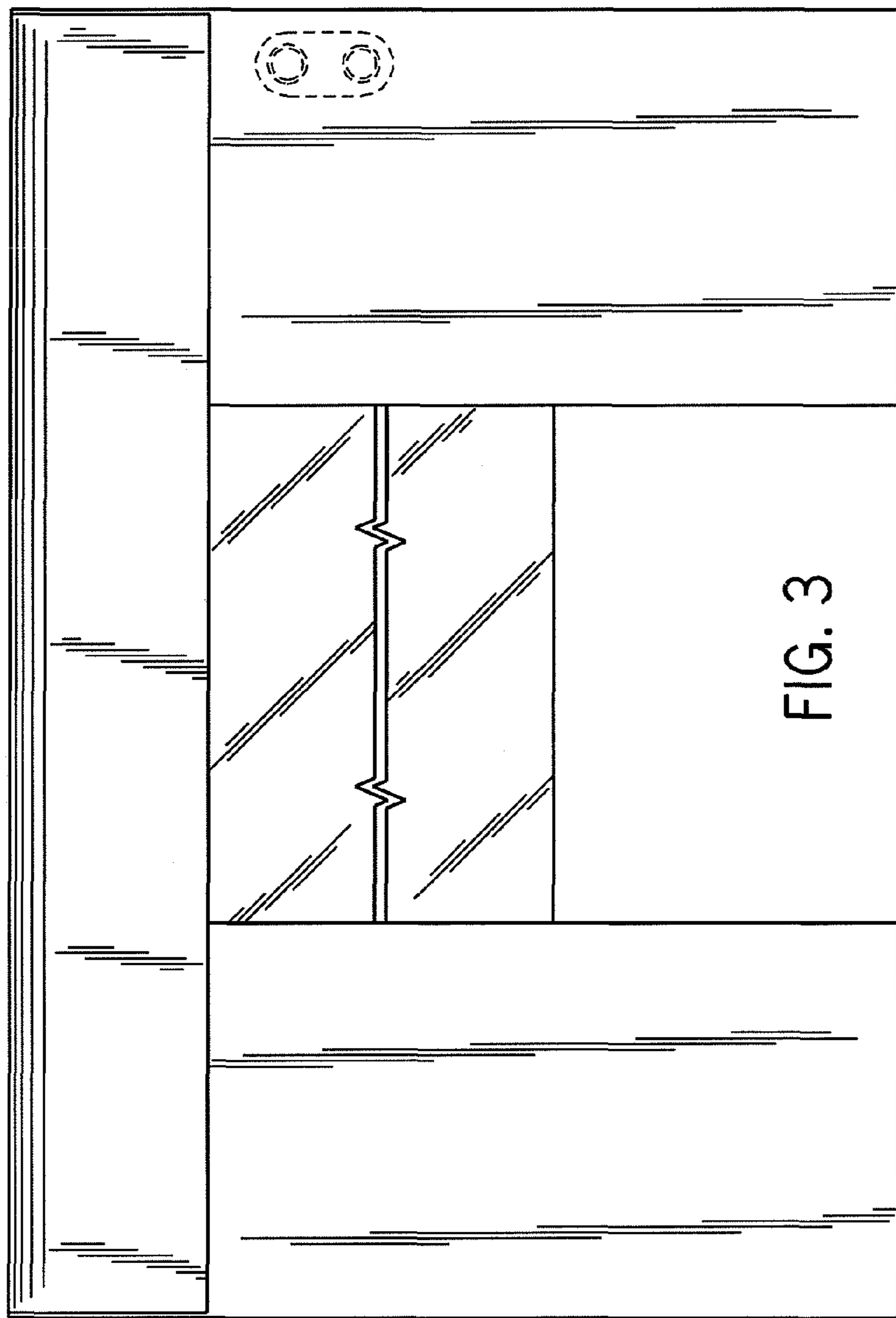


FIG. 3

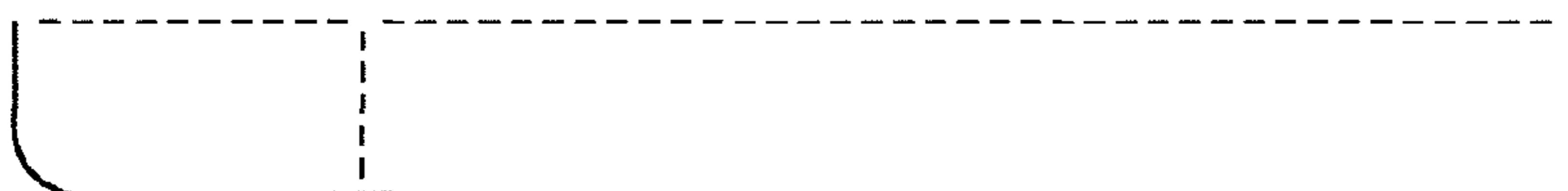


FIG. 2

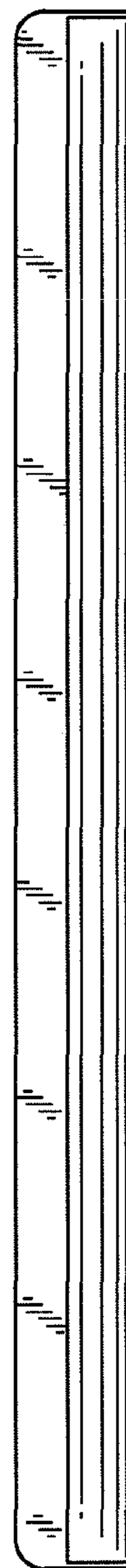


FIG. 4

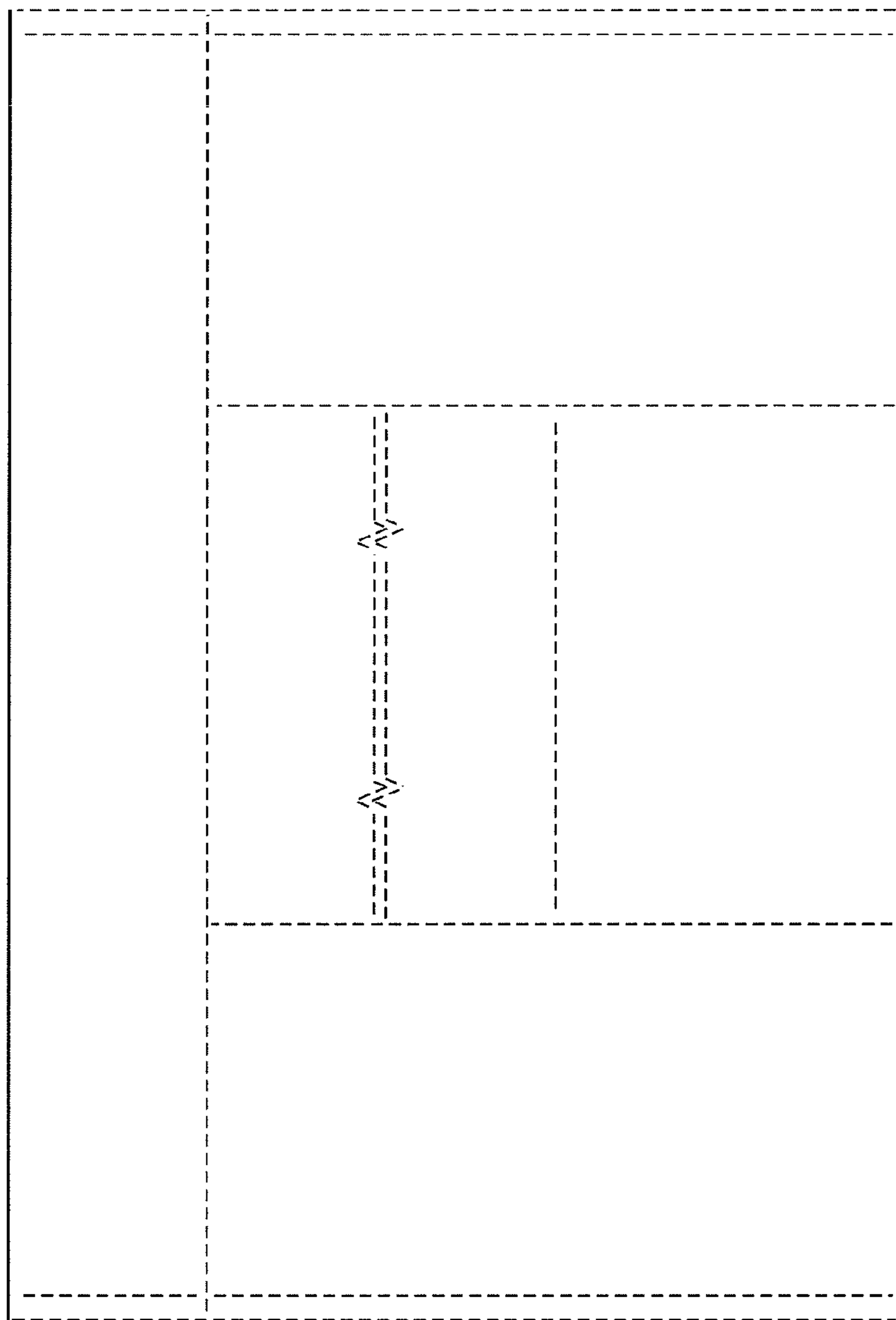


FIG. 5



FIG. 6