



US00D694385S

(12) **United States Design Patent**  
**Funnell, II**

(10) **Patent No.:** **US D694,385 S**

(45) **Date of Patent:** **\*\* Nov. 26, 2013**

(54) **HOOD**

(75) Inventor: **Richard W. Funnell, II**, Corona del Mar, CA (US)

(73) Assignee: **BSH Home Appliances Corporation**, Irvine, CA (US)

(\*\*) Term: **14 Years**

(21) Appl. No.: **29/411,505**

(22) Filed: **Jan. 23, 2012**

**Related U.S. Application Data**

(62) Division of application No. 29/355,314, filed on Feb. 5, 2010, now Pat. No. Des. 659,232.

(51) **LOC (9) Cl.** ..... **23-04**

(52) **U.S. Cl.**  
USPC ..... **D23/371**

(58) **Field of Classification Search**  
USPC ..... D23/370-373; 126/299 R, 299 D;  
D14/125, 257; D21/333  
See application file for complete search history.

(56) **References Cited**

**U.S. PATENT DOCUMENTS**

3,217,629 A \* 11/1965 Ekern ..... 126/299 D  
D315,204 S \* 3/1991 Fleming et al. .... D23/372  
5,027,790 A \* 7/1991 Chern ..... 126/299 R

5,176,125 A \* 1/1993 Jang ..... 126/299 D  
D335,409 S \* 5/1993 Kellems ..... D6/510  
5,363,837 A \* 11/1994 Jang ..... 126/299 D  
D400,208 S \* 10/1998 Fenner ..... D14/125  
D415,799 S \* 10/1999 Beyer ..... D14/400  
D450,829 S \* 11/2001 Bothe et al. .... D23/372  
6,371,106 B1 \* 4/2002 Lambertson ..... 126/299 R  
D465,021 S \* 10/2002 Liou ..... D23/372  
D531,590 S \* 11/2006 Maeyama ..... D14/125  
D534,507 S \* 1/2007 Tanigawa et al. .... D14/125

\* cited by examiner

*Primary Examiner* — Randall Gholson

(74) *Attorney, Agent, or Firm* — James E. Howard; Andre Pallapies

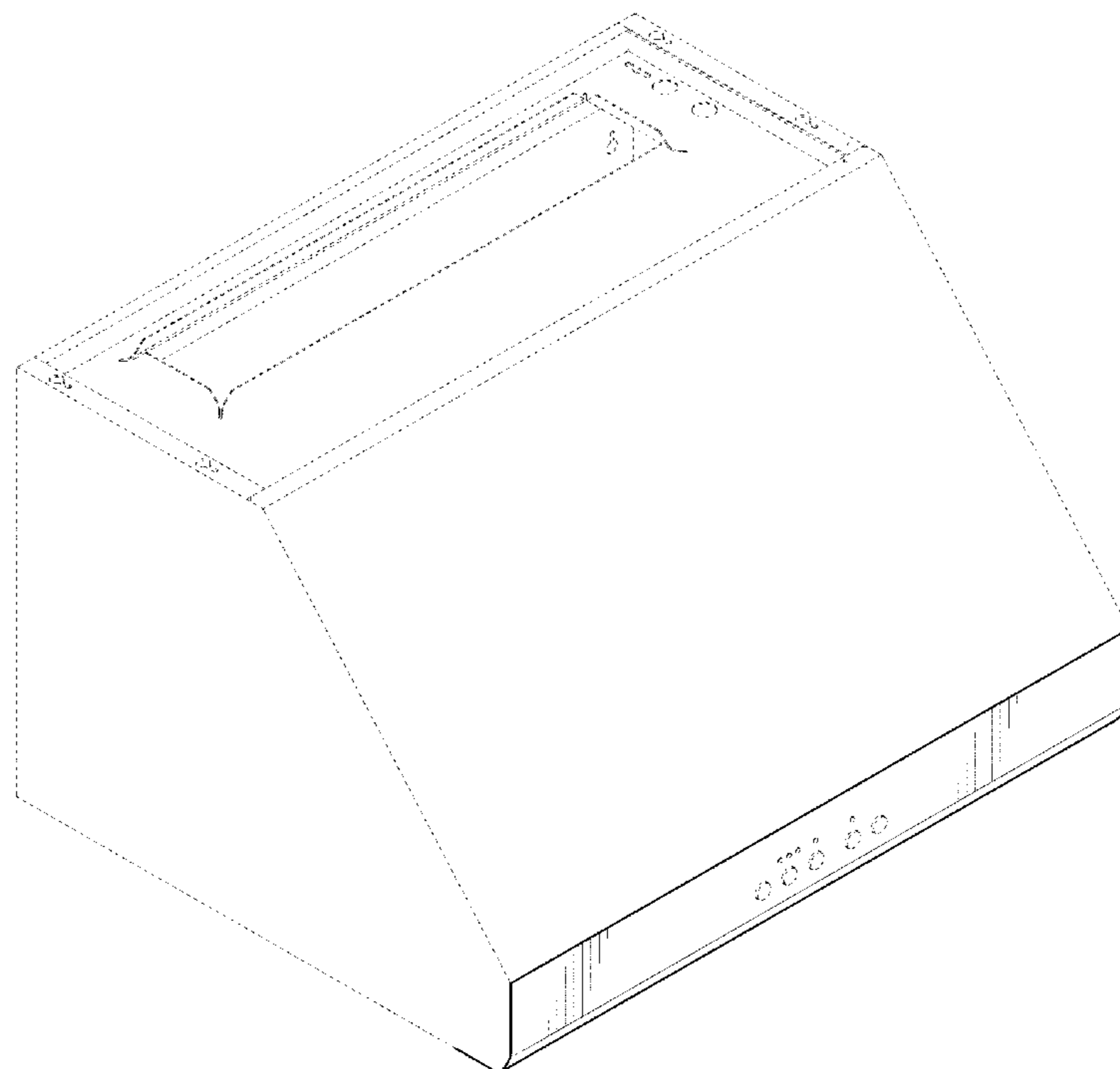
(57) **CLAIM**

The ornamental design for a hood, as shown and described.

**DESCRIPTION**

FIG. 1 is a front perspective view showing a hood according to my new design;  
FIG. 2 is a front view thereof;  
FIG. 3 is a bottom view thereof;  
FIG. 4 is a bottom perspective view thereof from the front, right corner;  
FIG. 5 is a side view thereof; and,  
FIG. 6 is an enlarged view showing the claimed portion of FIG. 1 in isolation.  
The broken lines represent environment or structure of the hood and do not form a part of the claimed design.

**1 Claim, 6 Drawing Sheets**



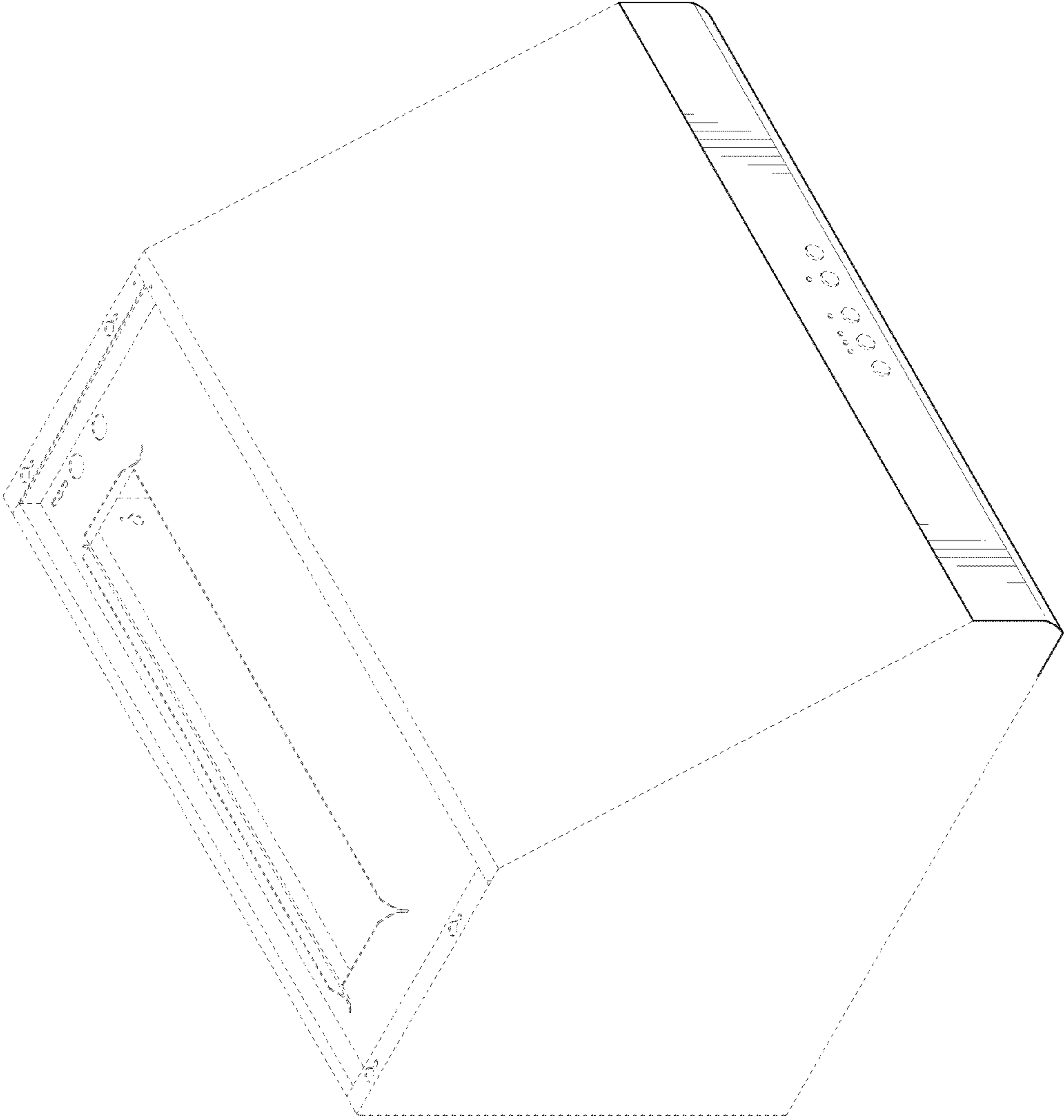


Fig. 1

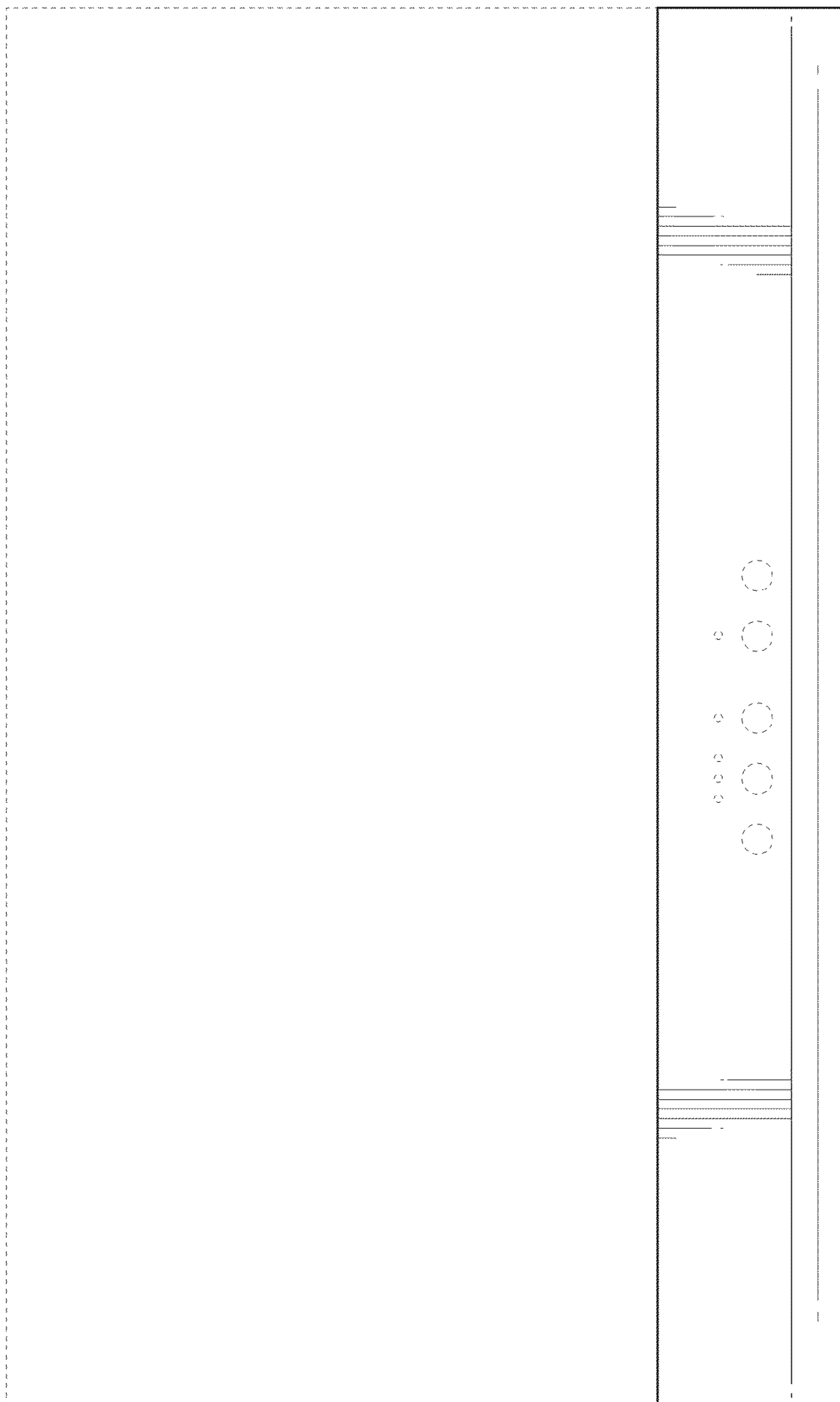


Fig. 2

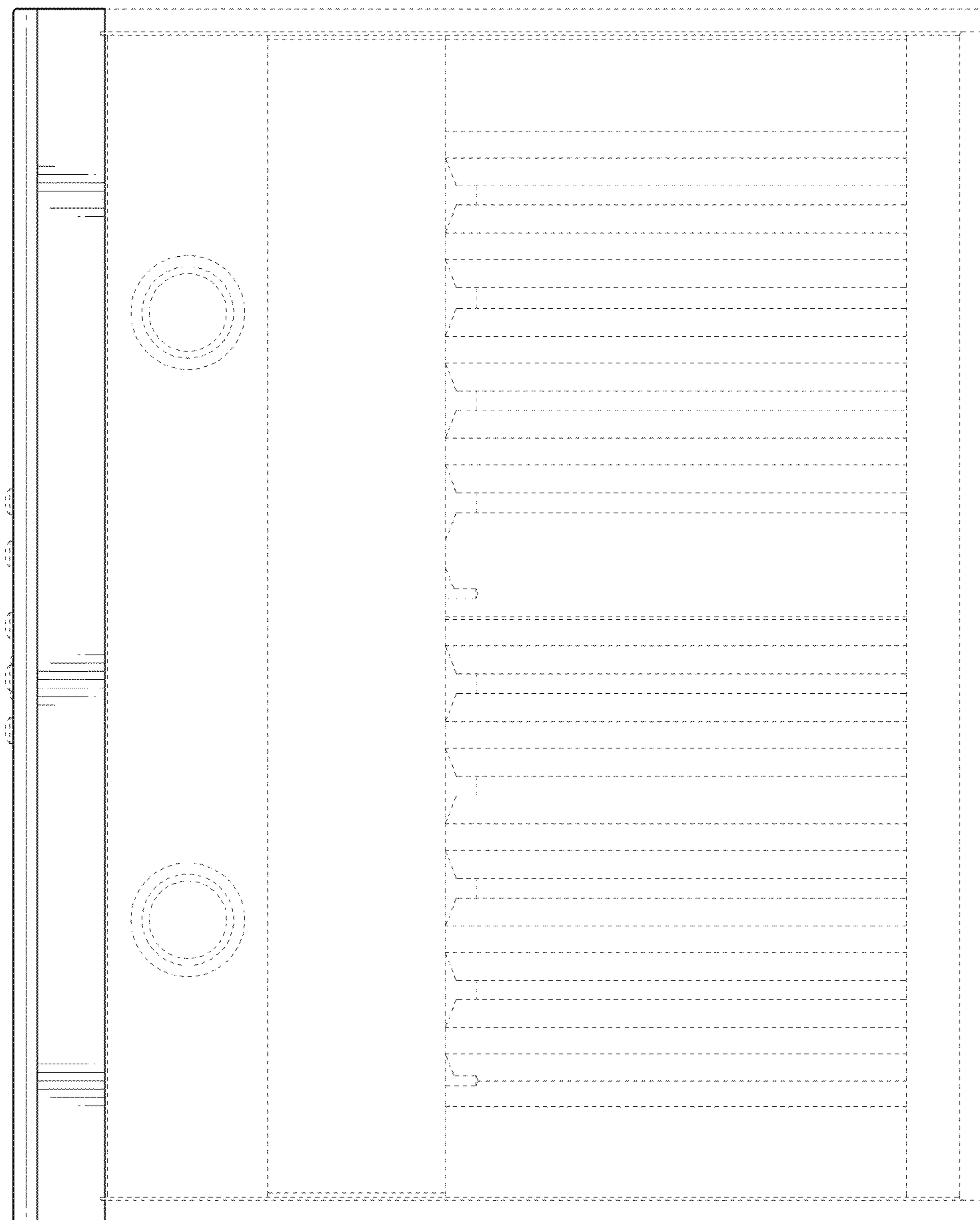


Fig. 3

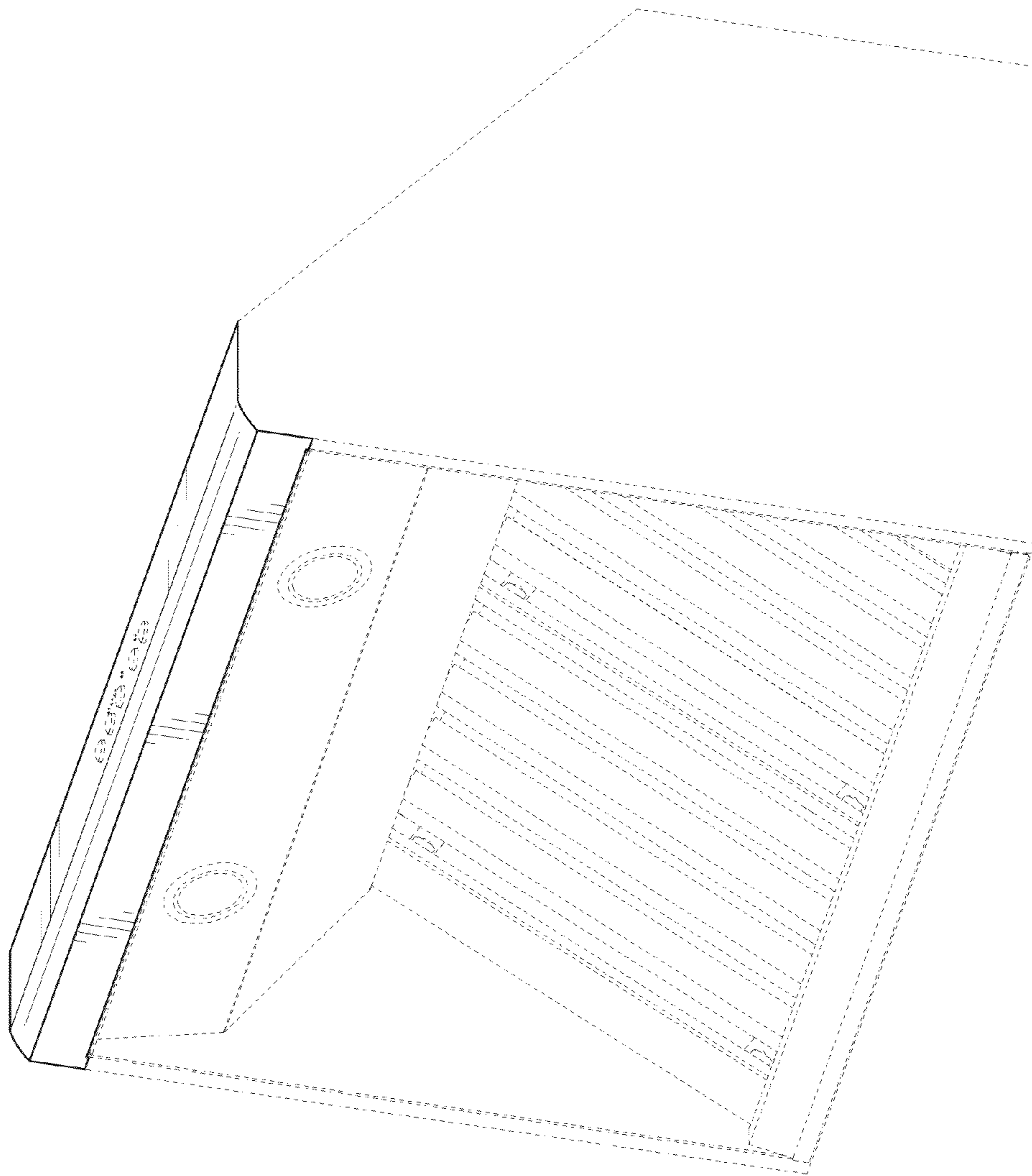


Fig. 4

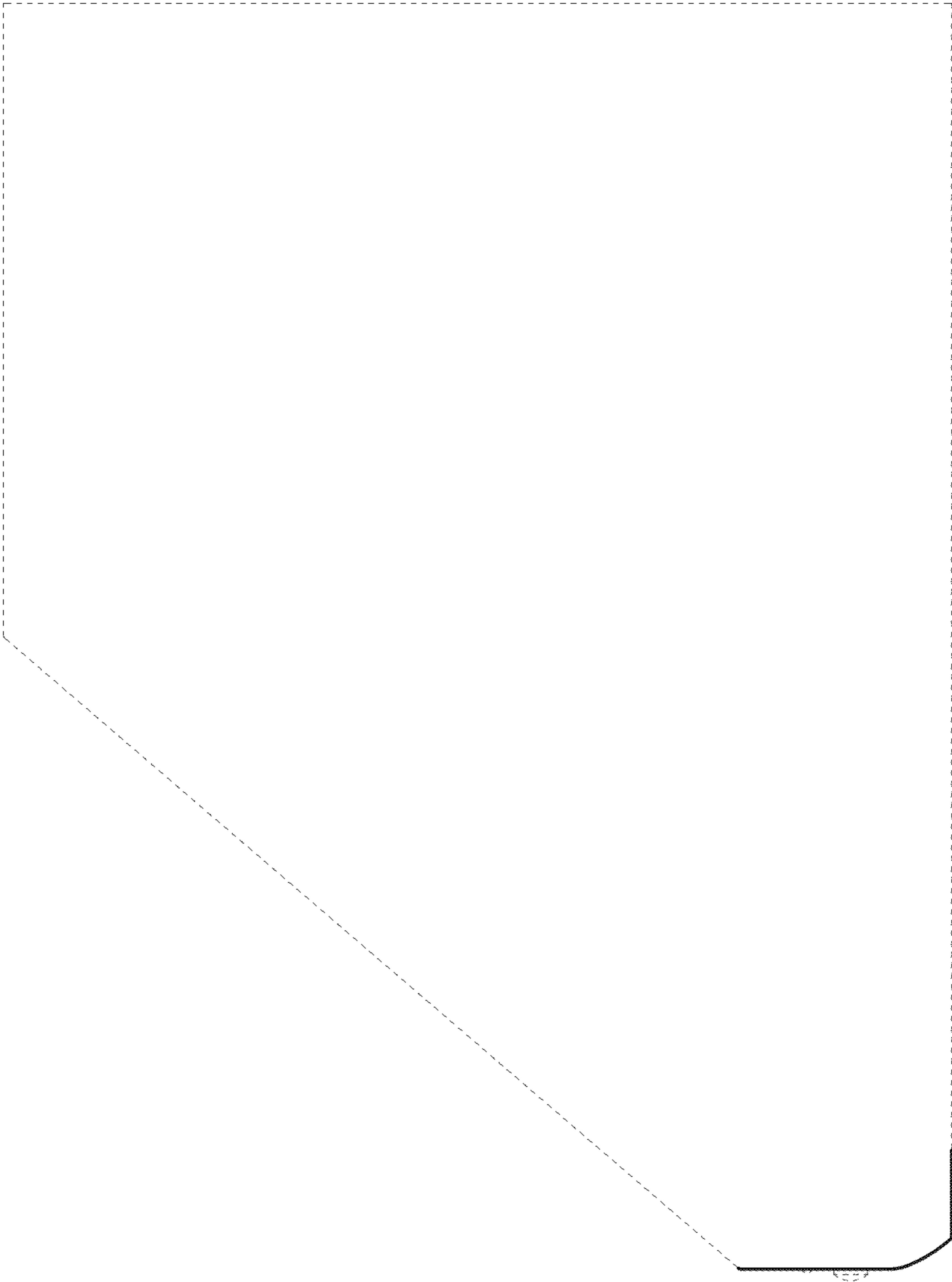


Fig. 5

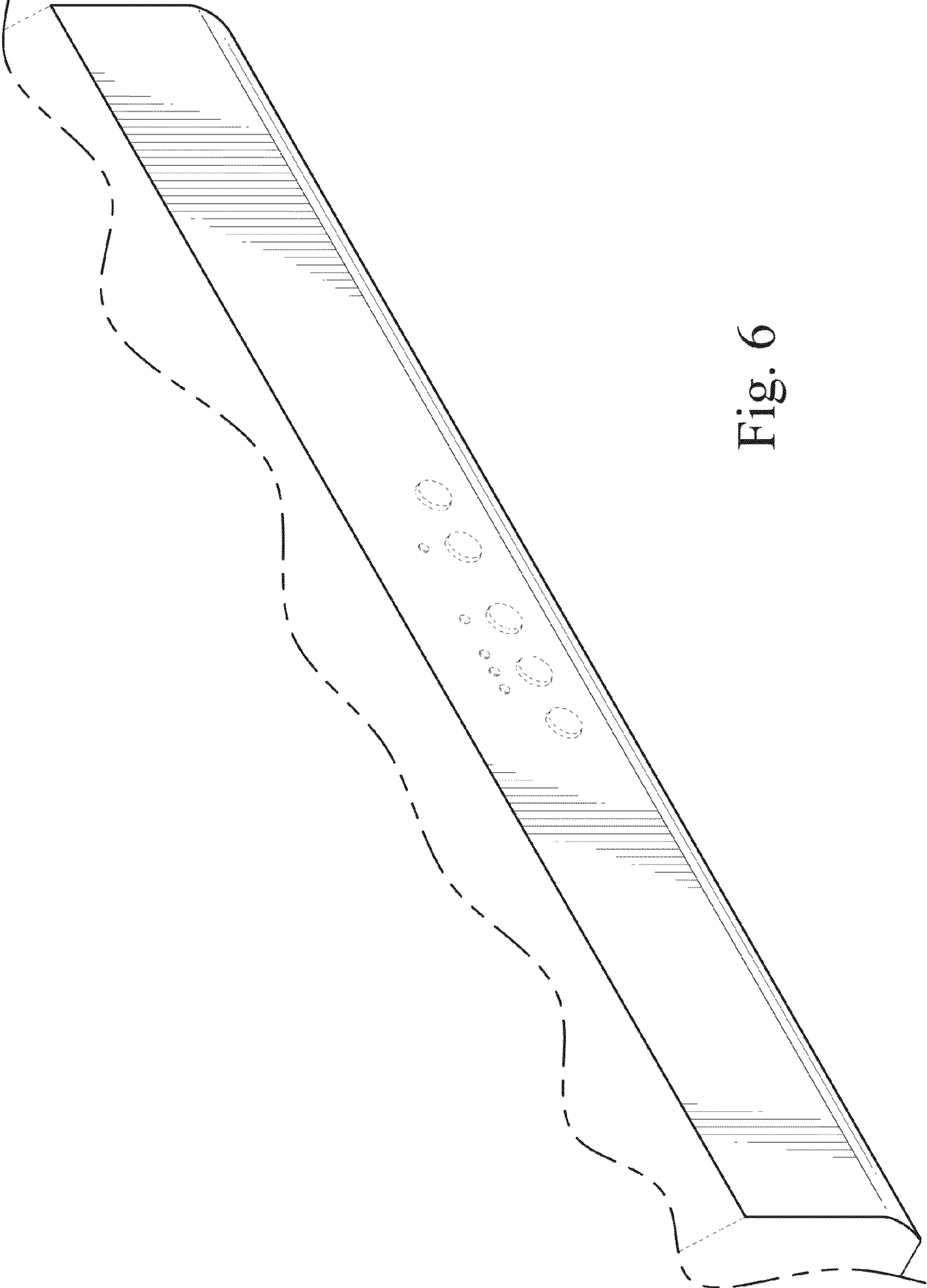


Fig. 6