



US00D694384S

(12) **United States Design Patent**  
**Grzybowski**

(10) **Patent No.:** **US D694,384 S**

(45) **Date of Patent:** **\*\* \*Nov. 26, 2013**

(54) **TRANSPORTABLE AIR CIRCULATING AND COOLING DEVICE WITH AIR FLOW DISTRIBUTOR FOR USE WITH A HEAD COVERING**

(71) Applicant: **Peter Grzybowski**, Jupiter, FL (US)

(72) Inventor: **Peter Grzybowski**, Jupiter, FL (US)

(\*) Notice: This patent is subject to a terminal disclaimer.

(\*\*) Term: **14 Years**

(21) Appl. No.: **29/438,165**

(22) Filed: **Nov. 27, 2012**

(51) **LOC (9) Cl.** ..... **23-04**

(52) **U.S. Cl.**  
USPC ..... **D23/370; D23/382**

(58) **Field of Classification Search**  
USPC ..... D23/381-383, 370-379, 385-388, 393, D23/394, 399, 411-414, 355, 356, D23/332-342; 454/237-253, 186, 228-236; 52/302.1; 417/423.1, 423.14; 415/182.1, 200, 90; 416/244 R, 246, 416/247 R; D6/309; D21/430, 436, 442, D21/447, 450, 453, 458

See application file for complete search history.

(56) **References Cited**

**U.S. PATENT DOCUMENTS**

D313,275 S *	12/1990	Aida .....	D23/370
D314,614 S *	2/1991	Ko .....	D23/328
D339,858 S *	9/1993	Shong .....	D23/382
D349,570 S *	8/1994	Radtke, Jr. ....	D23/382
D365,393 S *	12/1995	Geun .....	D23/382
D402,742 S *	12/1998	Chen .....	D23/335
D411,756 S *	7/1999	Land .....	D2/866
D441,065 S *	4/2001	Ediger et al. ....	D23/328
D468,062 S *	12/2002	Santiago .....	D29/103
D537,153 S *	2/2007	Hoog et al. ....	D23/335

D543,614 S *	5/2007	Chen .....	D23/382
7,290,292 B1 *	11/2007	Nellon et al. ....	2/171.3
D565,721 S *	4/2008	Chen .....	D23/382
D597,195 S *	7/2009	Zhuang .....	D23/411
D600,412 S *	9/2009	Ochoa .....	D29/102
D610,672 S *	2/2010	Xiao .....	D23/382
7,802,318 B2 *	9/2010	Chen .....	2/171.3
D636,858 S *	4/2011	Ediger et al. ....	D23/335
D671,630 S *	11/2012	Hideharu et al. ....	D23/382
D676,123 S *	2/2013	Hideharu et al. ....	D23/370
2008/0101928 A1 *	5/2008	Chen .....	415/213.1

(Continued)

**FOREIGN PATENT DOCUMENTS**

TW 359219 \* 6/2009

*Primary Examiner* — Susan Bennett Hattan

*Assistant Examiner* — Janice Hallmark

(74) *Attorney, Agent, or Firm* — McHale & Slavin, P.A.

(57) **CLAIM**

The ornamental design for a transportable air circulating and cooling device with air flow distributor for use with a head covering, as shown and described.

**DESCRIPTION**

FIG. 1 is a perspective view of the transportable air circulating and cooling device with air flow distributor for use with a head covering of the instant invention;

FIG. 2 is a front view thereof;

FIG. 3 is a rear view thereof;

FIG. 4 is a right side view thereof;

FIG. 5 is a left side view thereof;

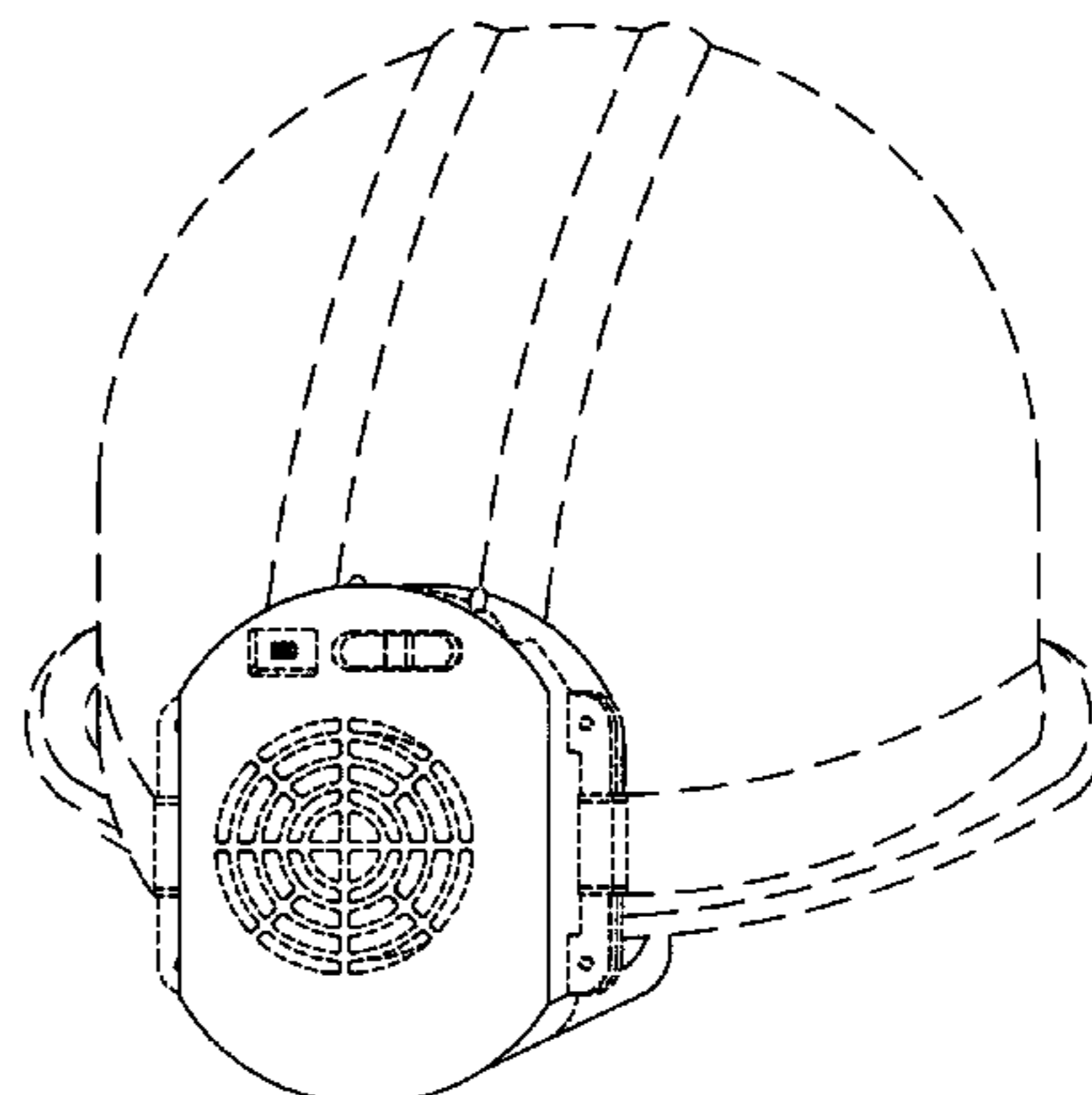
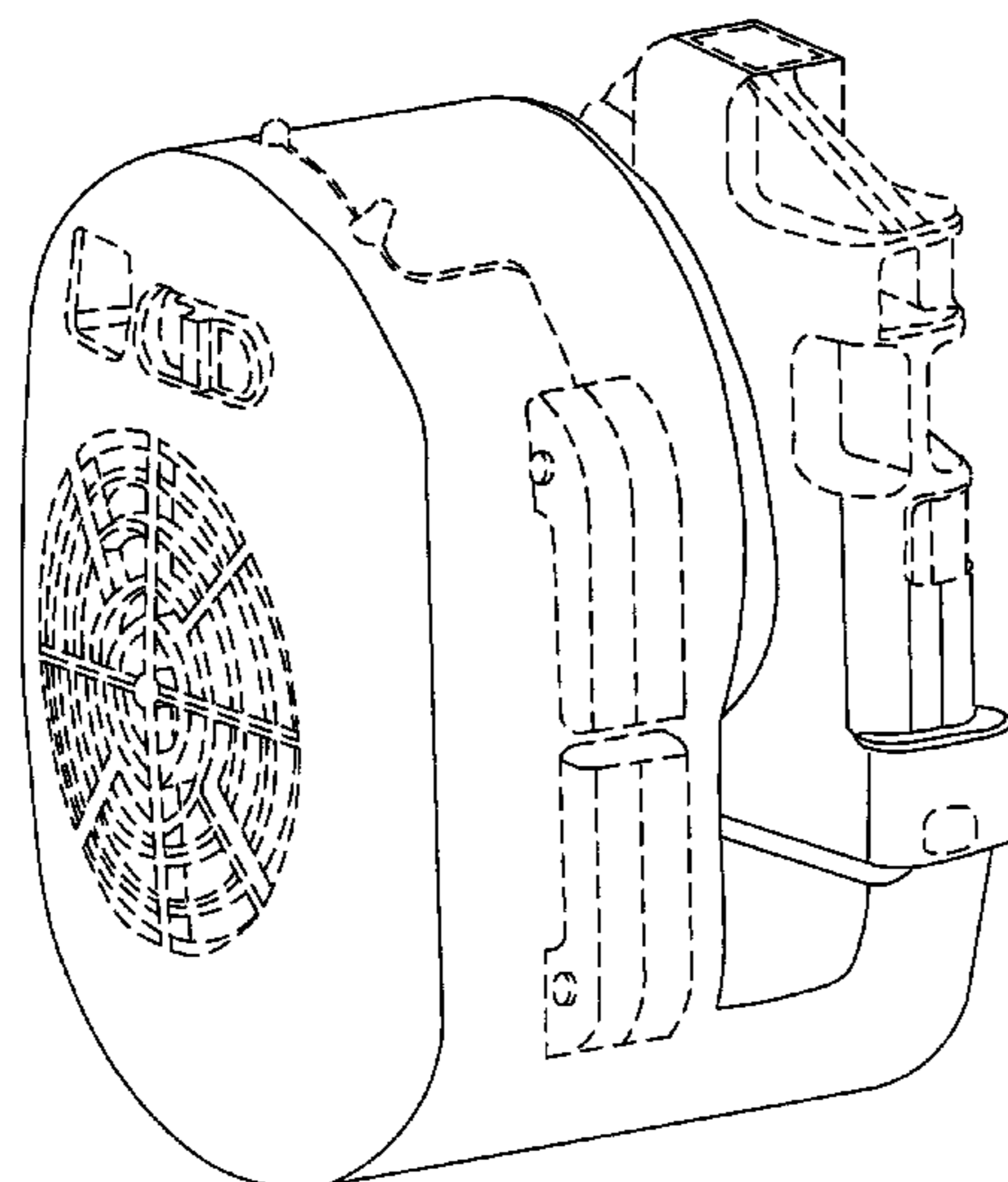
FIG. 6 is a bottom view thereof;

FIG. 7 is a top view thereof; and,

FIG. 8 is a front environmental perspective view, illustrating a transportable air circulating and cooling device with air flow distributor for use with a head covering of the instant invention placed on a standard construction hard hat.

The portions of the figures shown in broken lines illustrate unclaimed portions and form no part of the claimed design.

**1 Claim, 8 Drawing Sheets**



# US D694,384 S

Page 2

---

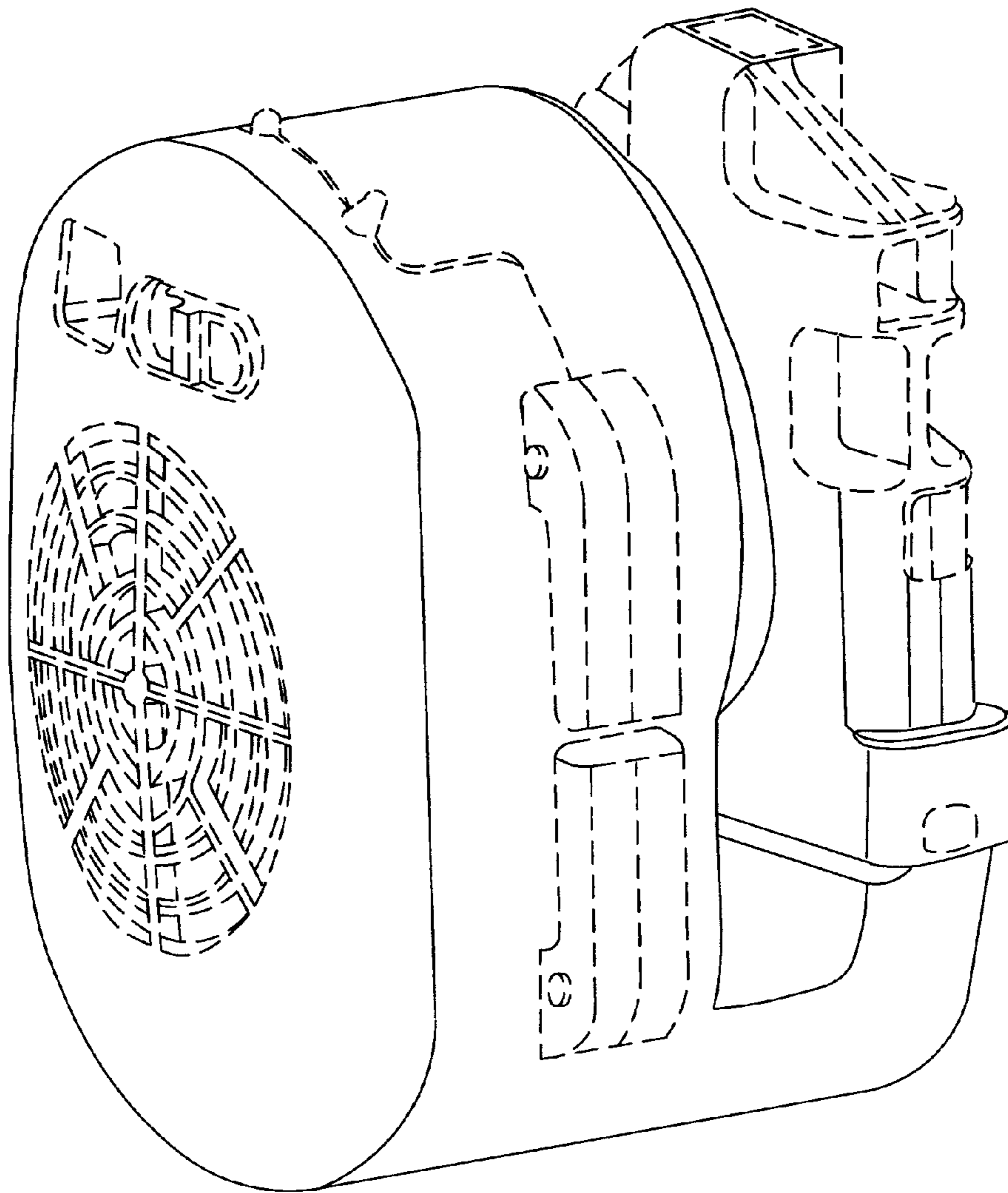
(56)

## References Cited

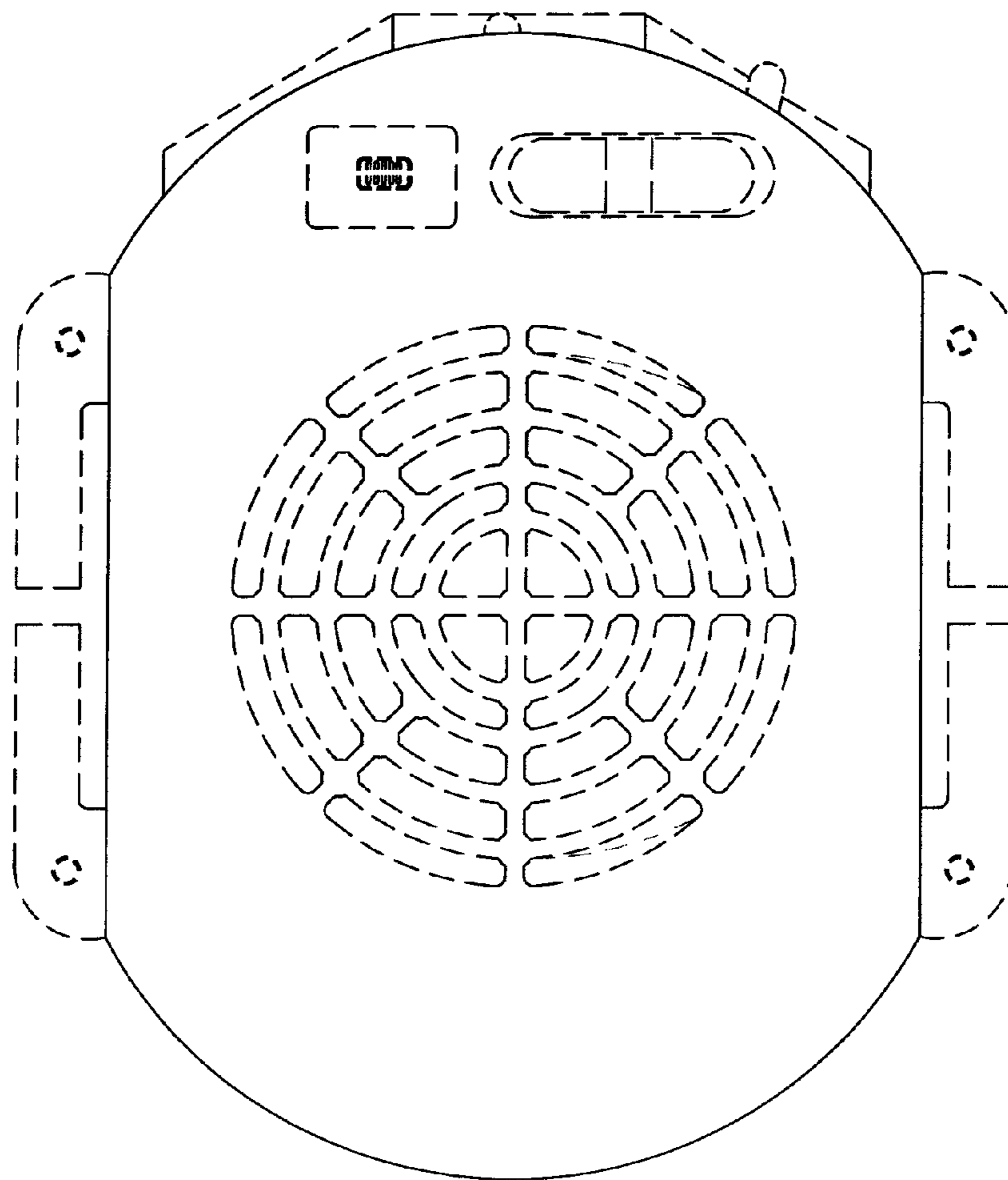
### U.S. PATENT DOCUMENTS

2008/0295220	A1*	12/2008	Webb	.....	2/171.3
2009/0126076	A1*	5/2009	Ochoa	.....	2/171.3
2011/0318197	A1*	12/2011	Huber	.....	417/234

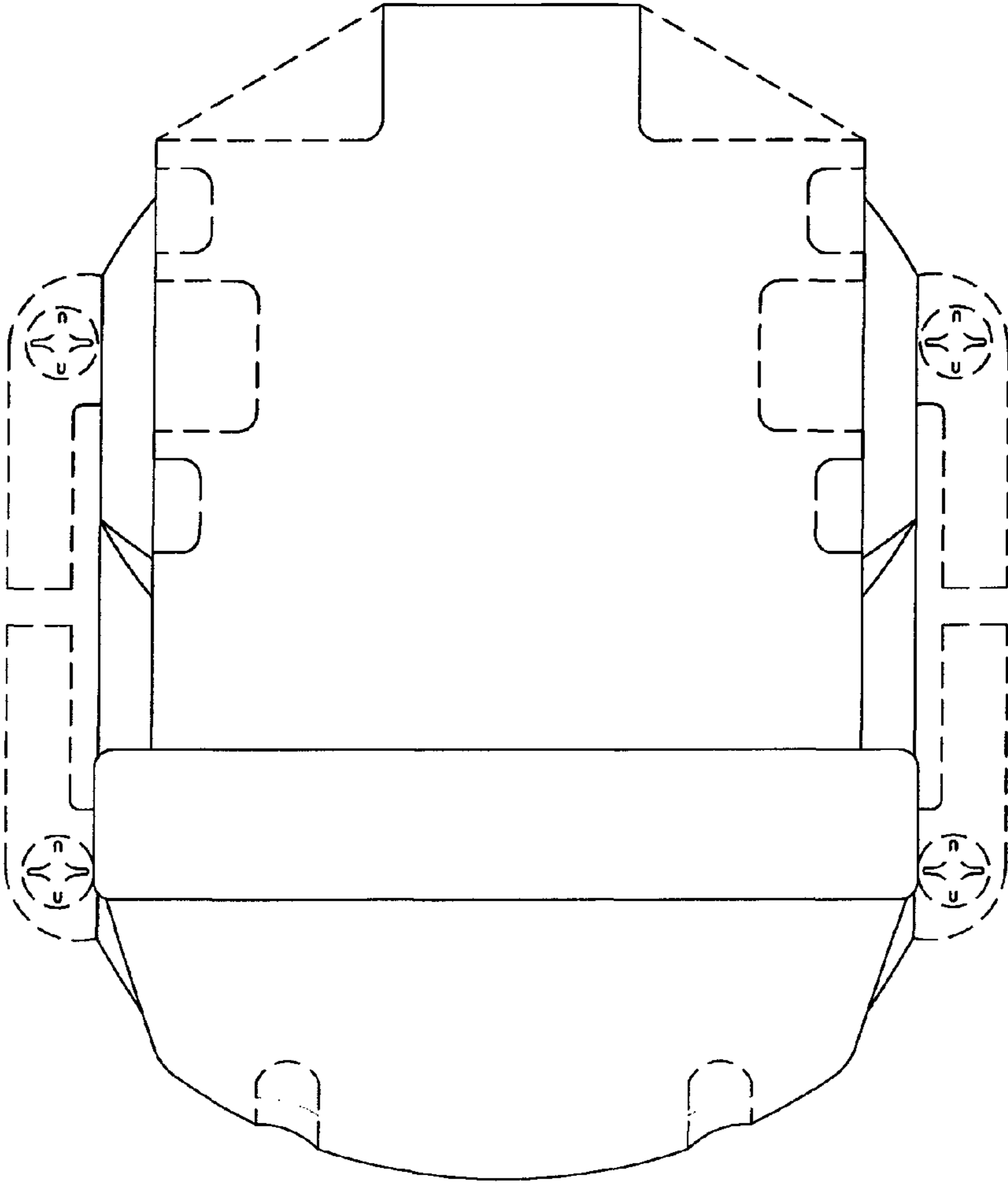
2008/0222777 A1\* 9/2008 Schneider ..... 2/209.13 \* cited by examiner



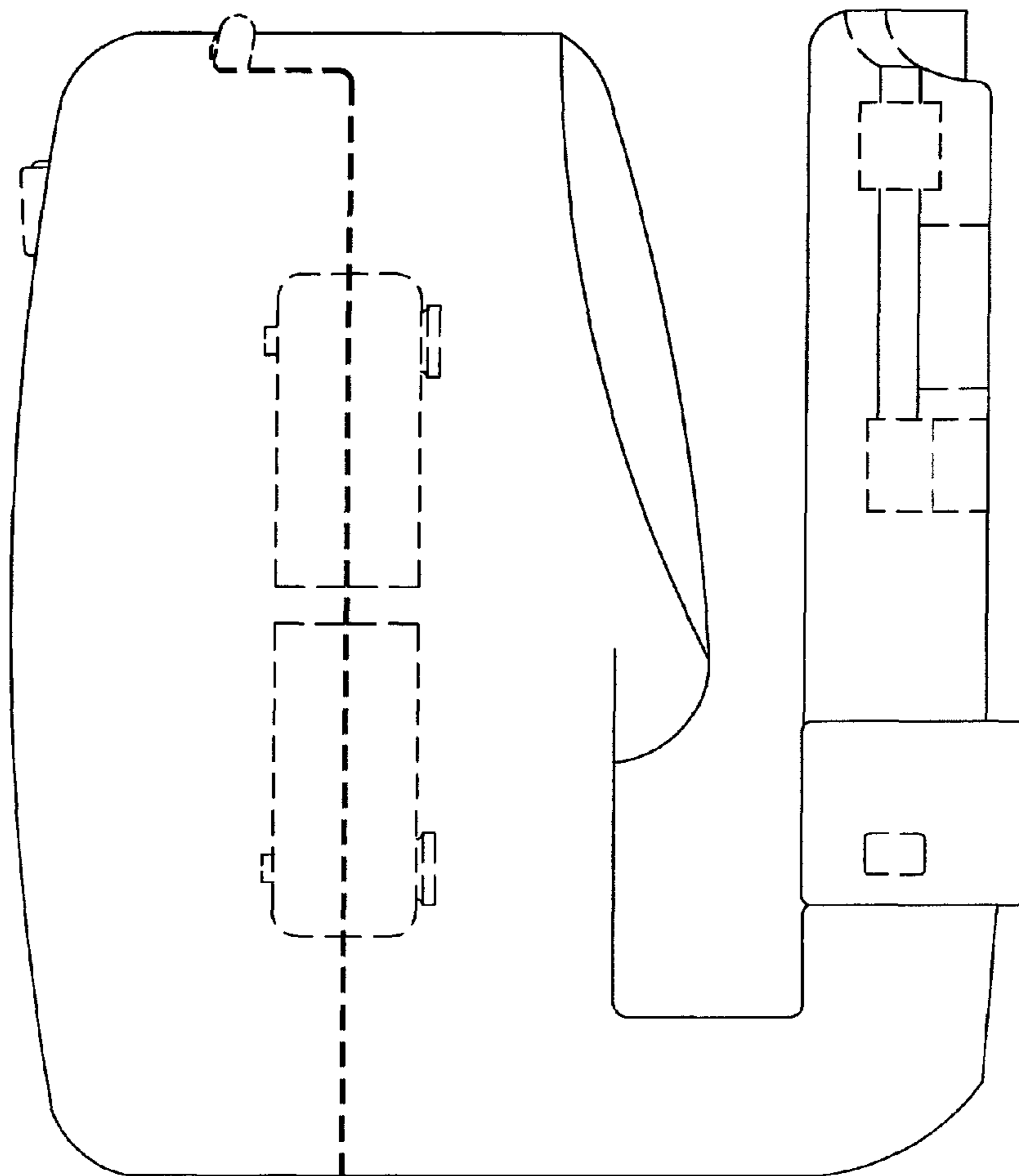
**FIG. 1**



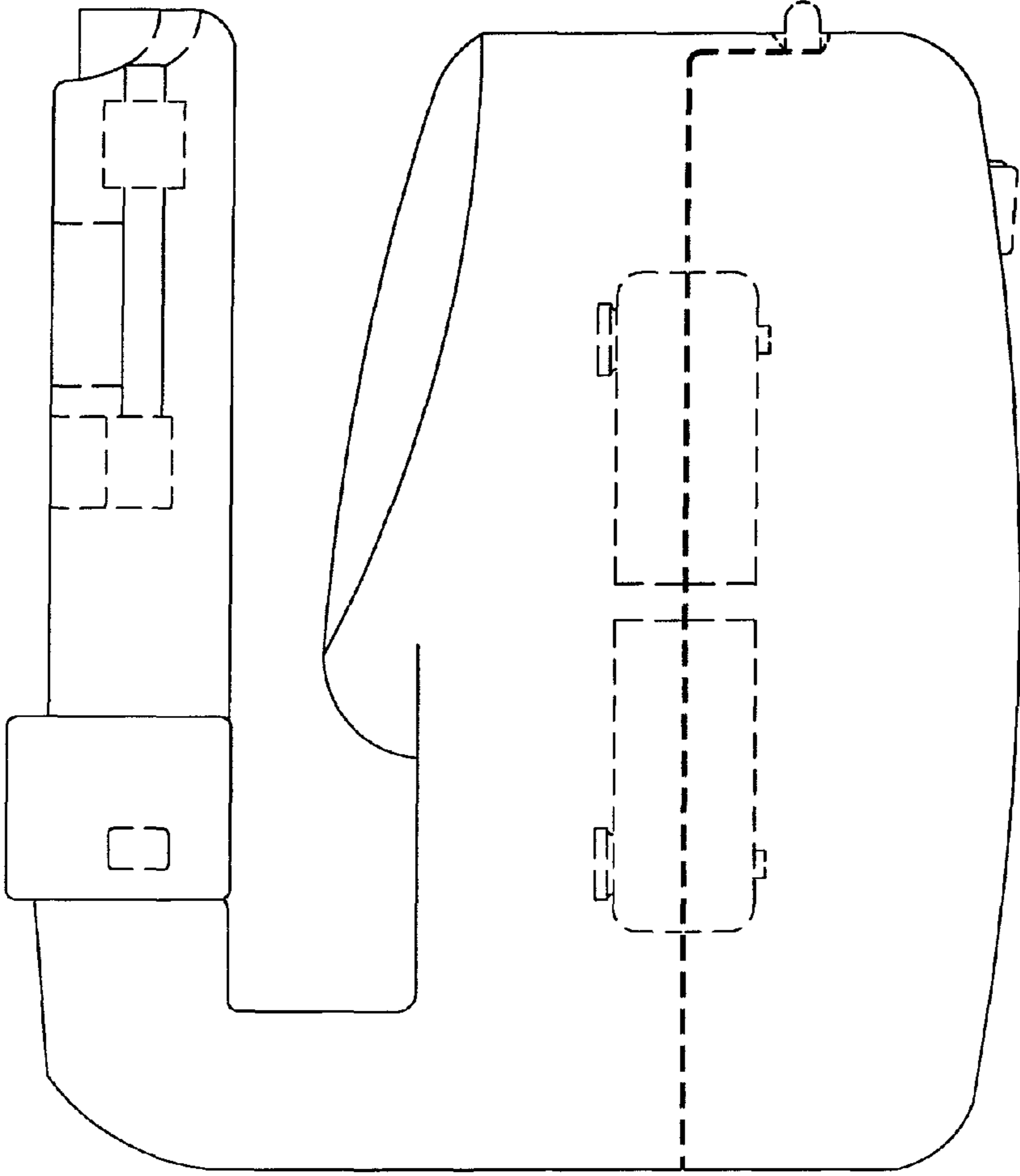
**FIG. 2**



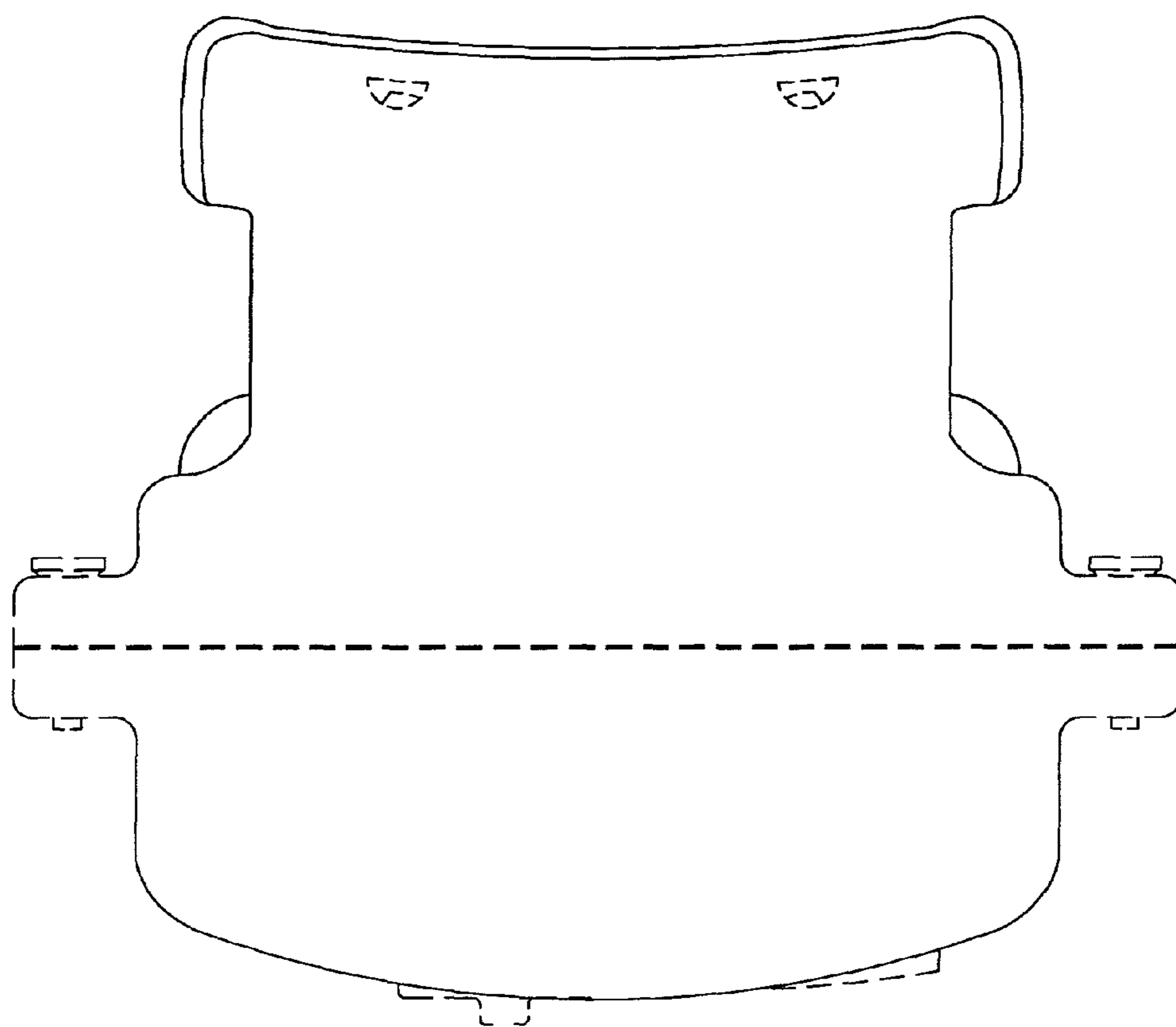
**FIG. 3**



**FIG. 4**

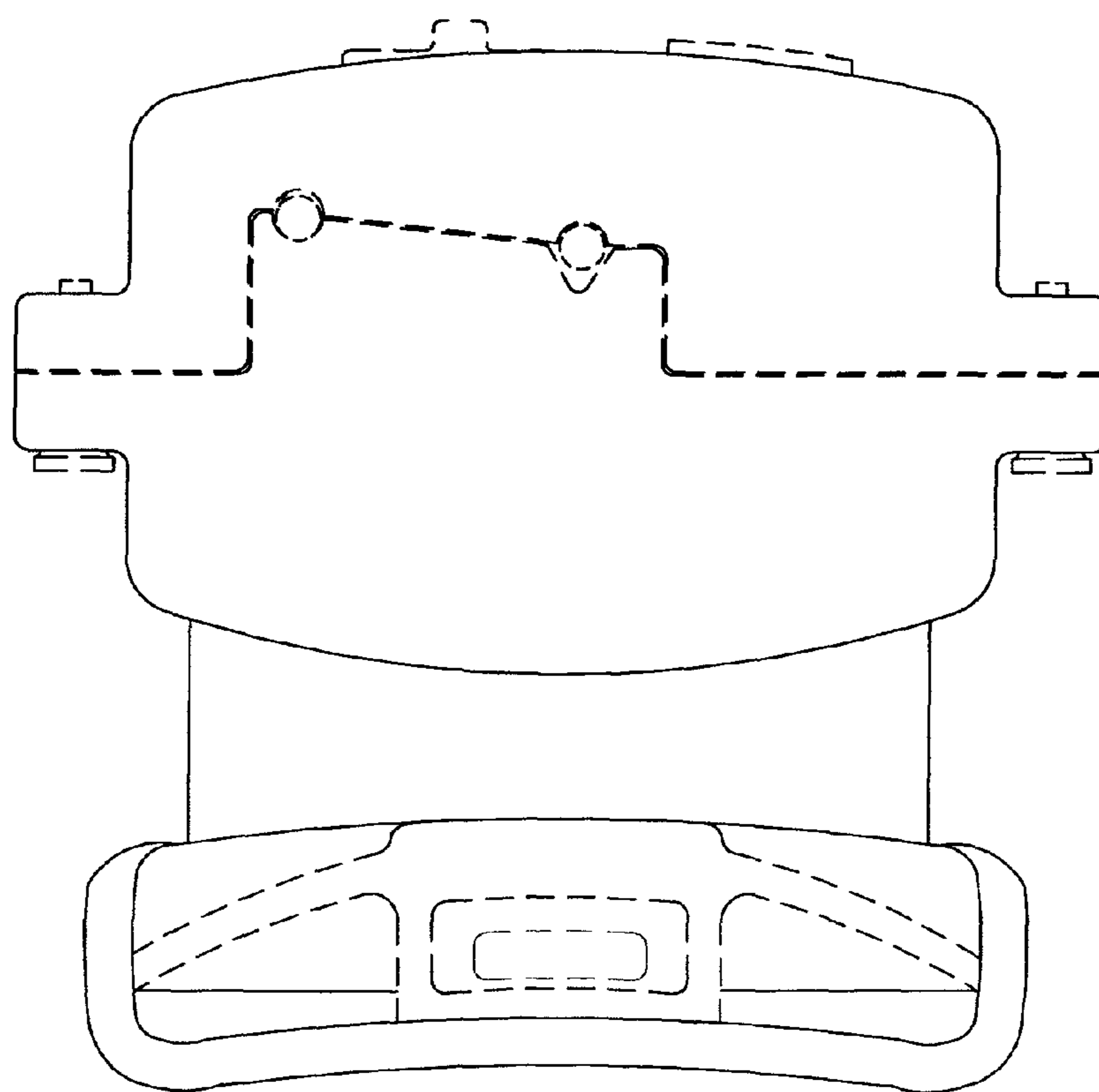


**FIG. 5**

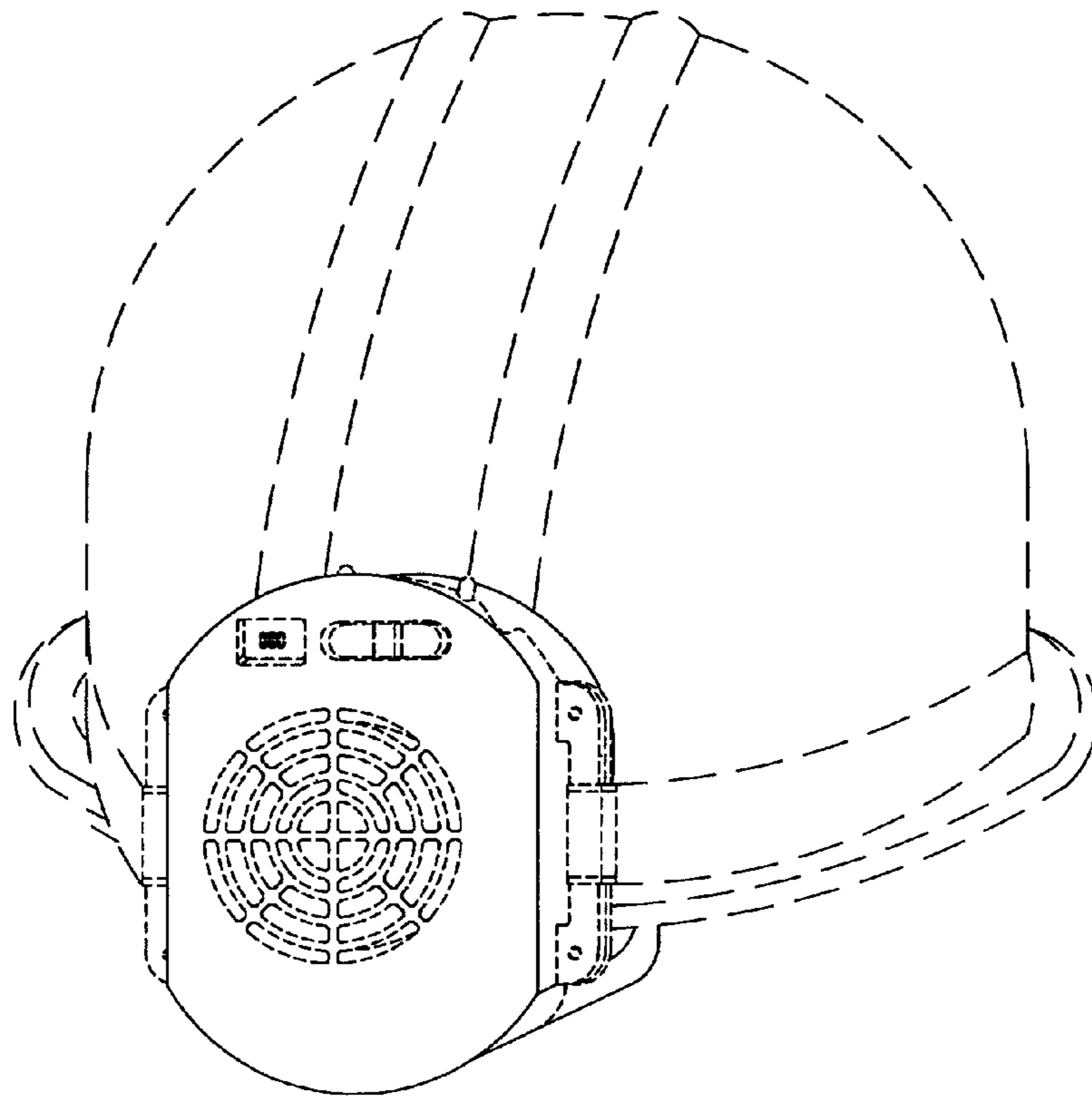


**FIG. 6**





**FIG. 7**



**FIG. 8**