

US00D694382S

(12) **United States Design Patent**
Brandenburg et al.

(10) **Patent No.:** **US D694,382 S**

(45) **Date of Patent:** **** Nov. 26, 2013**

(54) **AIR FRESHENER**

(71) Applicant: **Hayloft Enterprises, Inc.**, Wilmington, DE (US)

(72) Inventors: **Kyle Brandenburg**, Middletown, DE (US); **Frank M. Lesniak**, Media, PA (US)

(73) Assignee: **Hayloft Enterprises, Inc.**, Wilmington, DE (US)

(**) Term: **14 Years**

(21) Appl. No.: **29/452,747**

(22) Filed: **Apr. 22, 2013**

(51) **LOC (9) Cl.** **28-99**

(52) **U.S. Cl.**
USPC **D23/366**

(58) **Field of Classification Search**
USPC D23/355–369; D28/5, 6; 261/DIG. 17, 261/DIG. 42, DIG. 65, DIG. 88, DIG. 89; 392/386, 390, 394, 395; 239/34, 44, 239/53, 55, 56, 326; D26/14, 17, 98, 9, 22, D26/24; D11/131.1; D7/509, 522, 524, 537
See application file for complete search history.

(56) **References Cited**

U.S. PATENT DOCUMENTS

D481,787 S	11/2003	Millan	
D483,460 S	12/2003	Millan	
D503,973 S	4/2005	Millan	
7,070,172 B2	7/2006	Fabrega et al.	
D532,893 S *	11/2006	Wu	D23/366
D544,592 S	6/2007	Caserta et al.	
D544,594 S	6/2007	Zobebe	

D613,388 S *	4/2010	Koenig et al.	D23/366
D618,329 S *	6/2010	Koenig et al.	D23/368
D621,021 S *	8/2010	Koenig et al.	D23/368
D621,926 S *	8/2010	Christensen	D24/118
D628,284 S *	11/2010	Ko et al.	D23/366
D629,500 S *	12/2010	Koenig et al.	D23/368
D629,881 S *	12/2010	Valentino et al.	D23/368
D631,954 S *	2/2011	Bertassi et al.	D23/366
D664,246 S *	7/2012	Irvin et al.	D23/356
8,455,454 B2 *	6/2013	Wang et al.	514/44 A

* cited by examiner

Primary Examiner — Sandra Snapp

(74) *Attorney, Agent, or Firm* — Novak Druce Connolly Bove + Quigg LLP

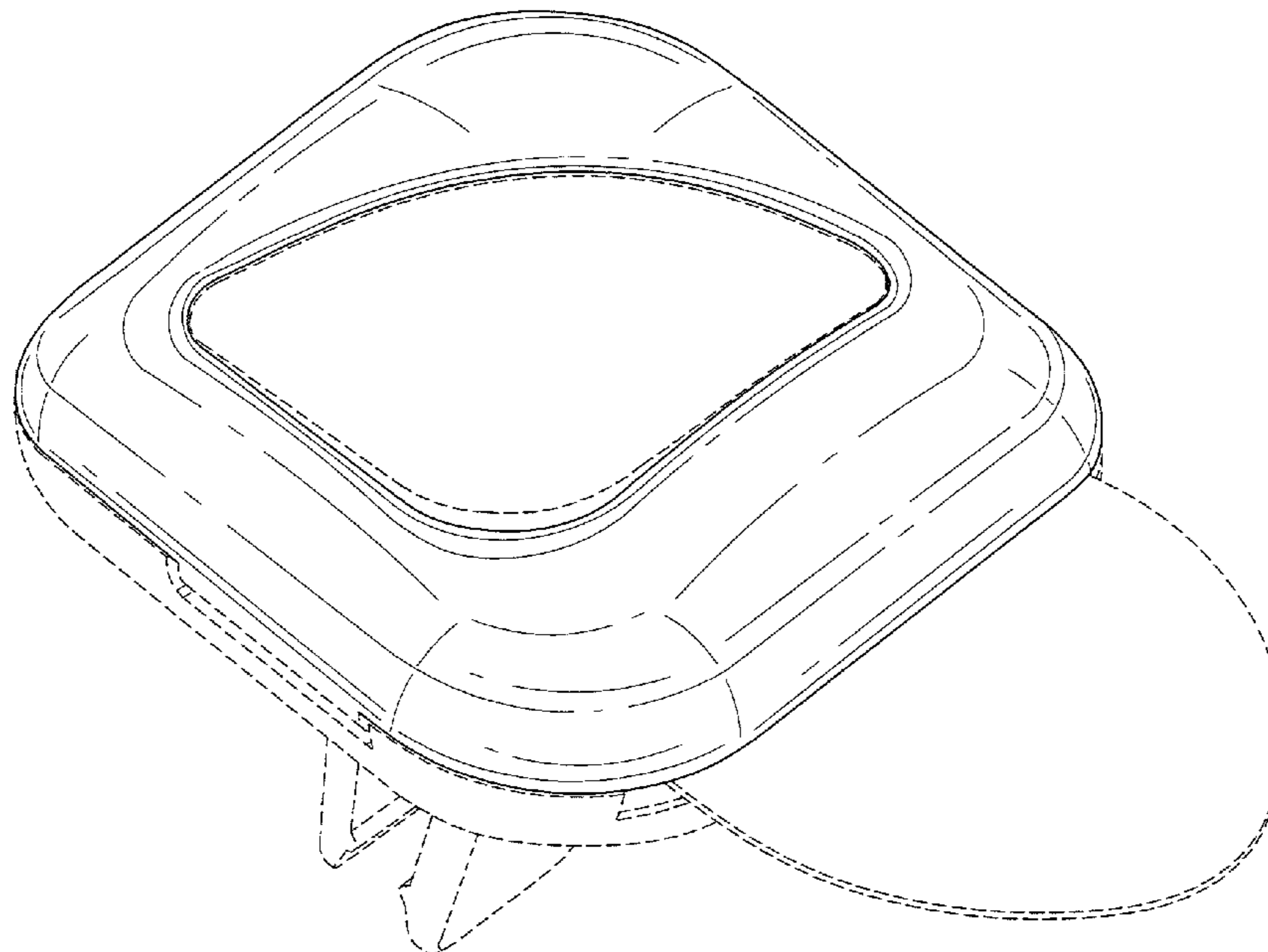
(57) **CLAIM**

The ornamental design for an air freshener, as shown and described.

DESCRIPTION

FIG. 1 is a right front perspective view of an air freshener showing a first variant of the invention;
FIG. 2 is a right side elevational view of the air freshener of FIG. 1;
FIG. 3 is a left side elevational view of the air freshener of FIG. 1;
FIG. 4 is a front elevational view of the air freshener of FIG. 1;
FIG. 5 is a rear elevational view of the air freshener of FIG. 1;
FIG. 6 is a top plan view view of the air freshener of FIG. 1; and,
FIG. 7 is a bottom plan view of the air freshener of FIG. 1.
The broken lines shown in the drawings are for illustrative purposes only and form no part of the claimed design.

1 Claim, 7 Drawing Sheets



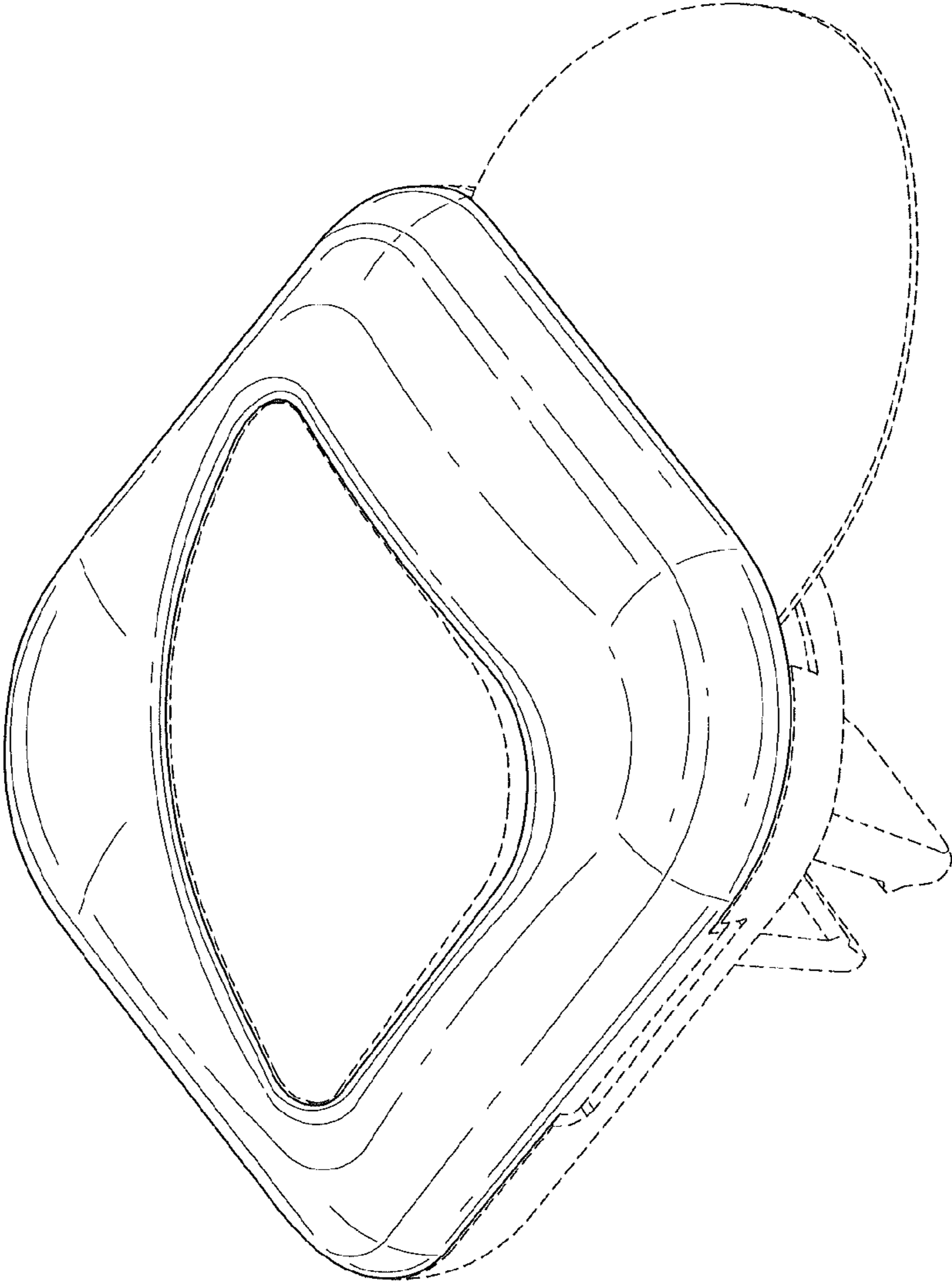


FIG. 1

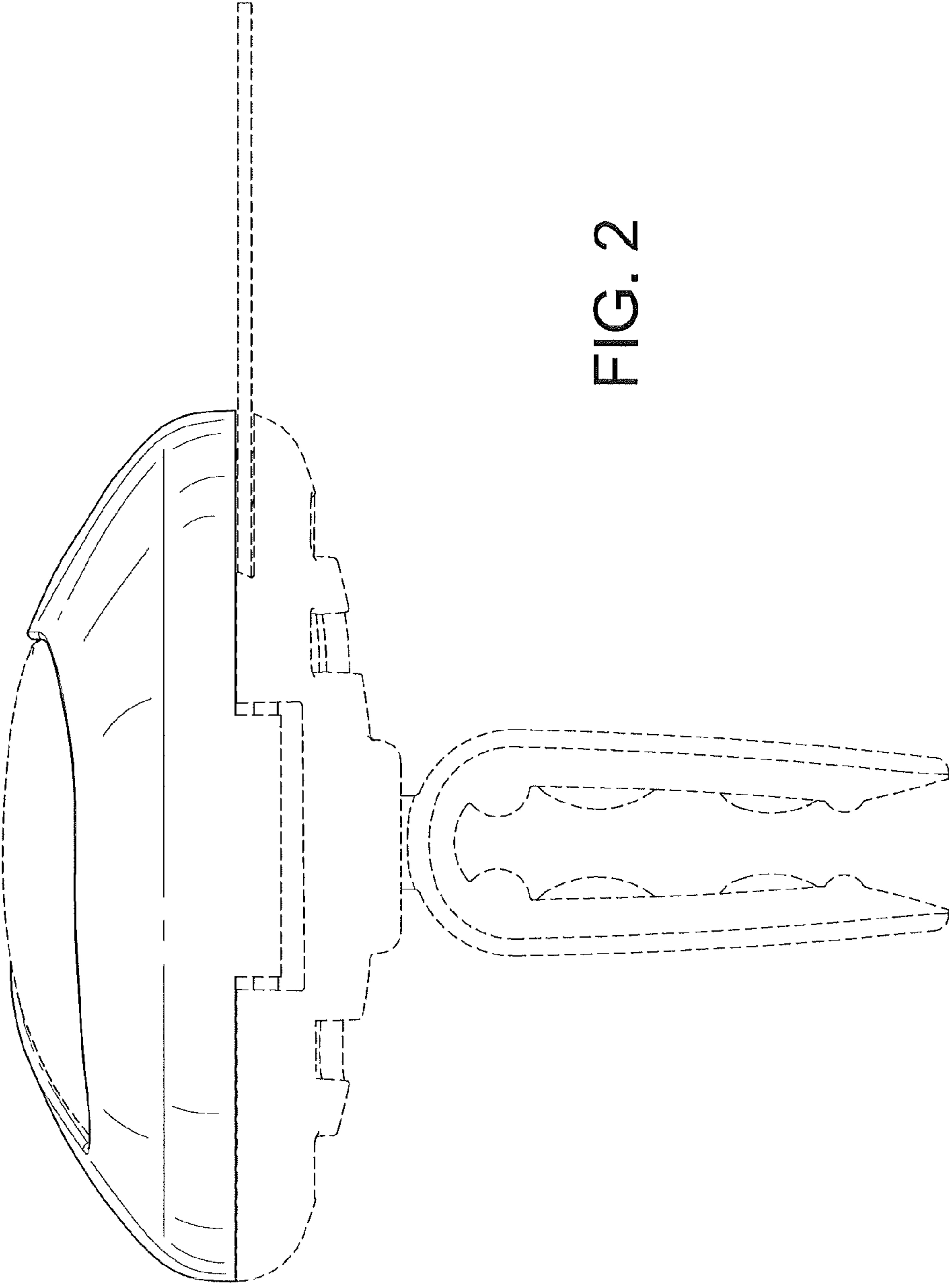


FIG. 2

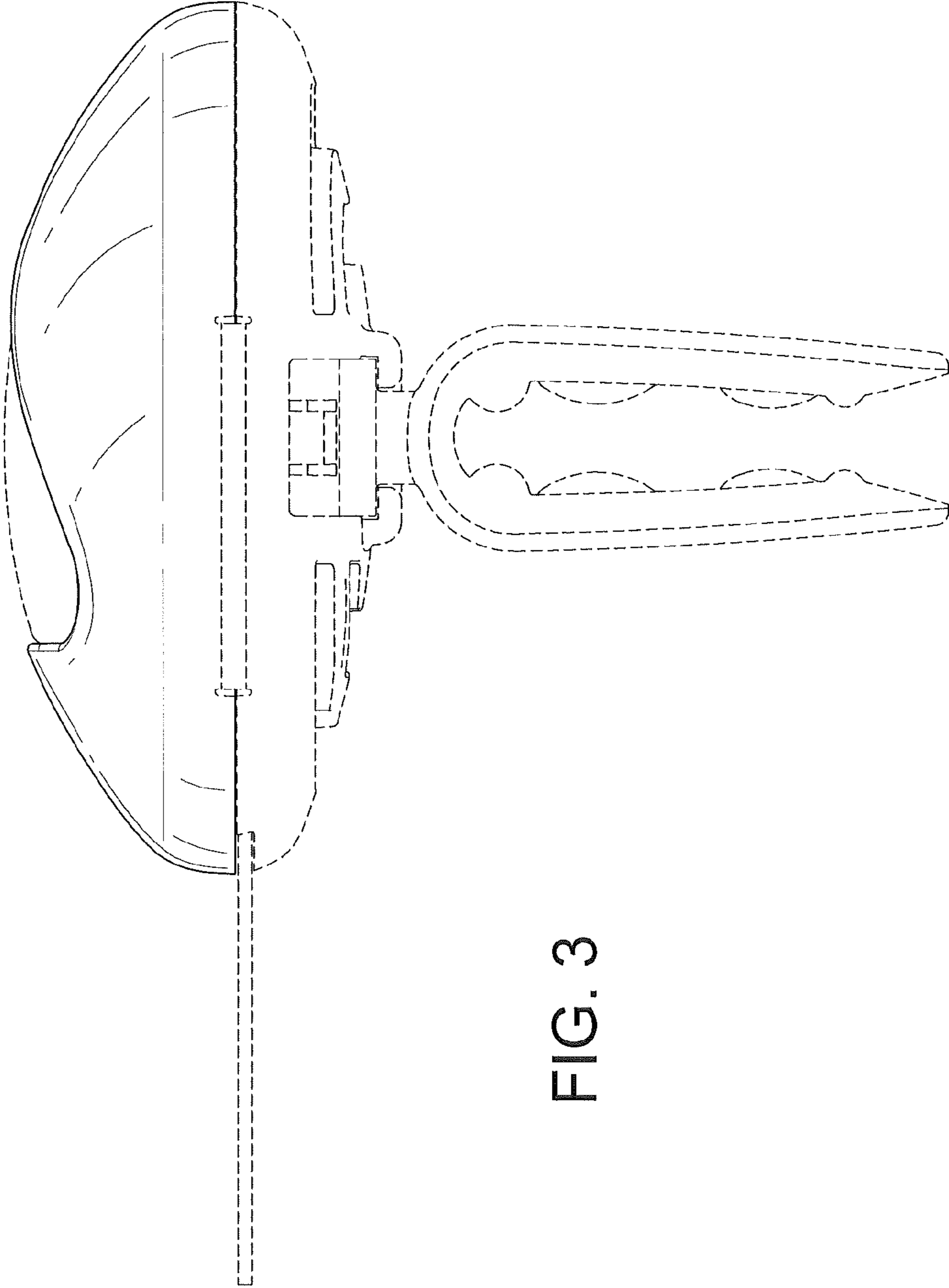


FIG. 3

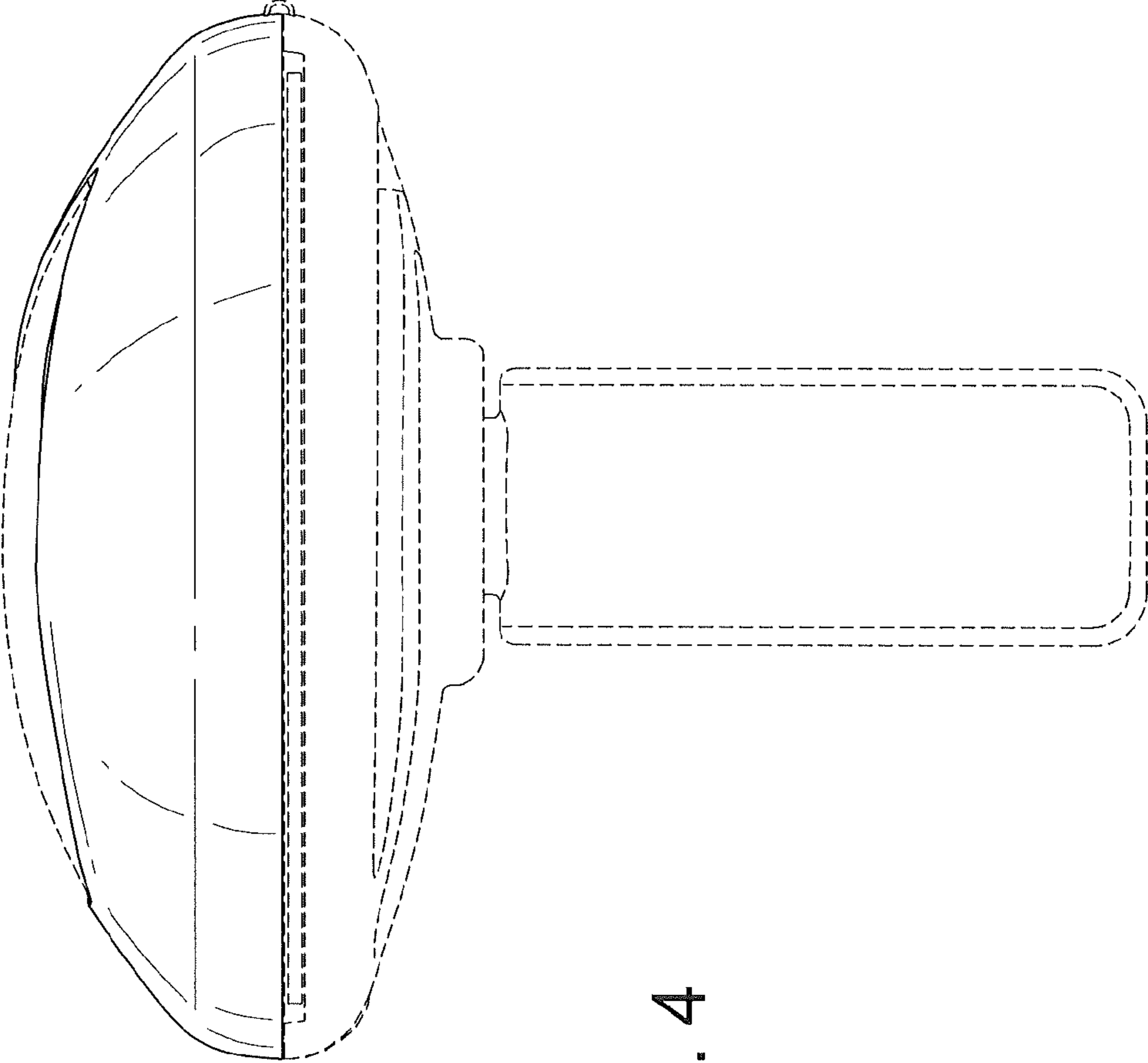


FIG. 4

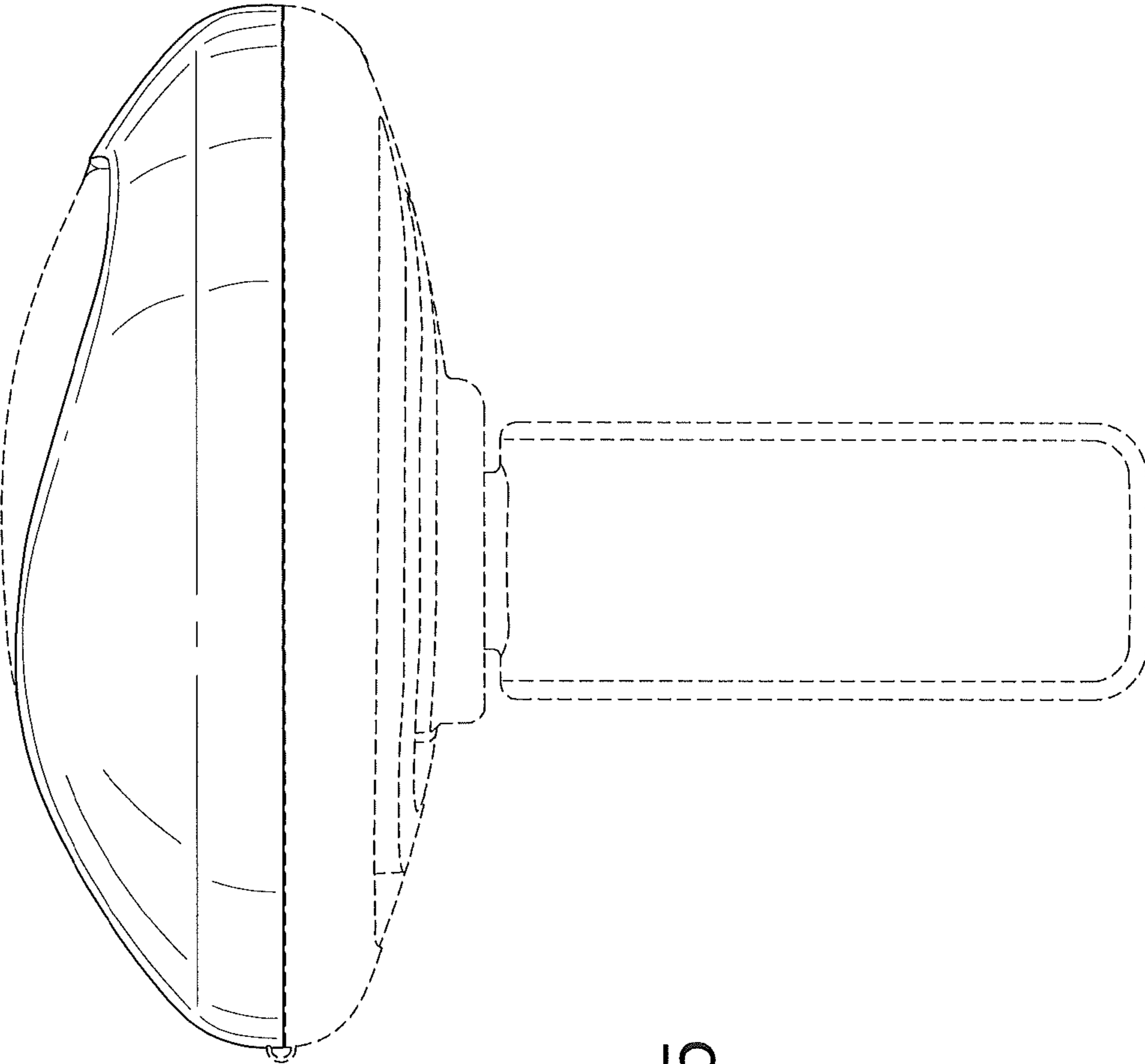


FIG. 5

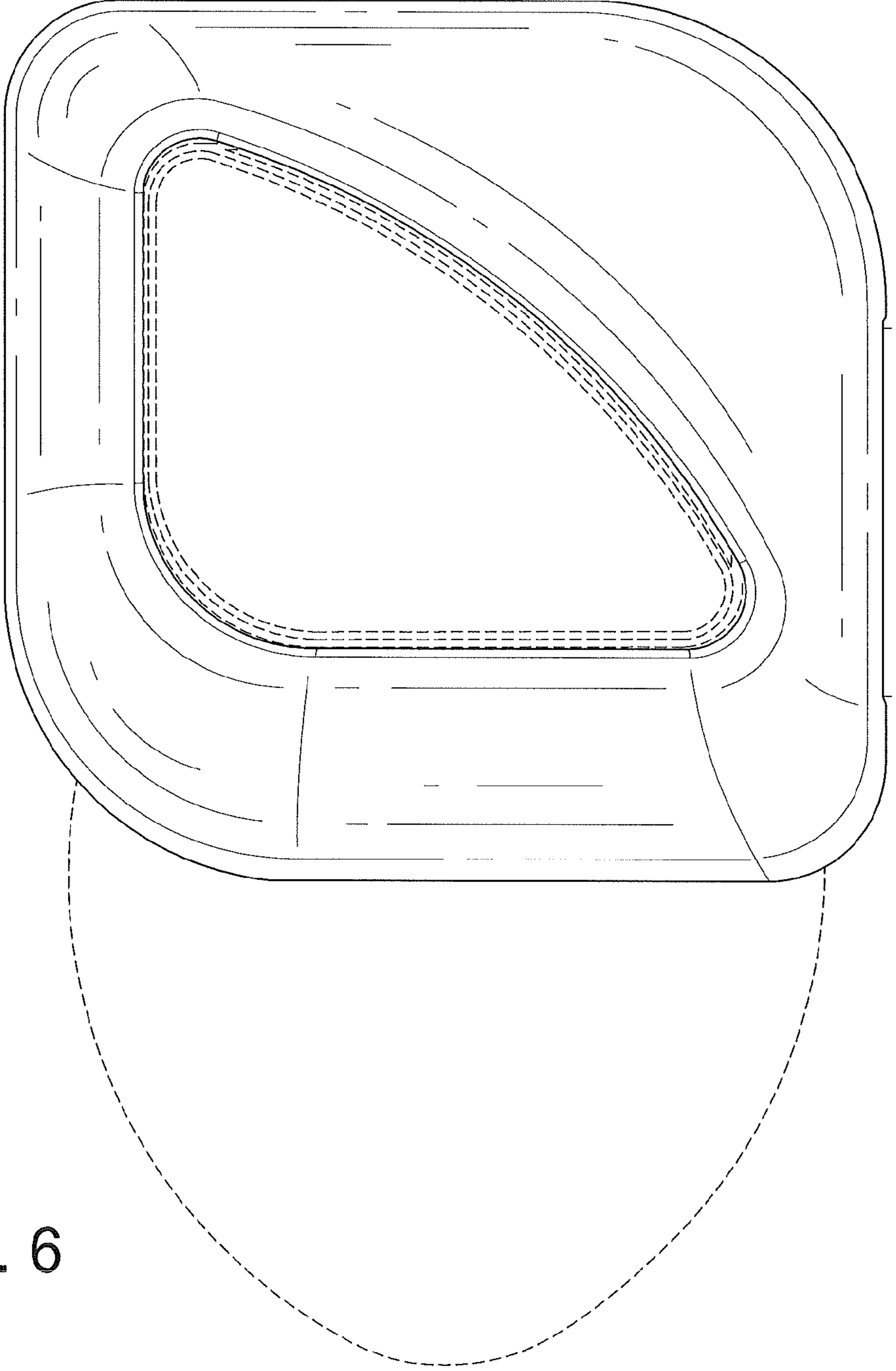


FIG. 6

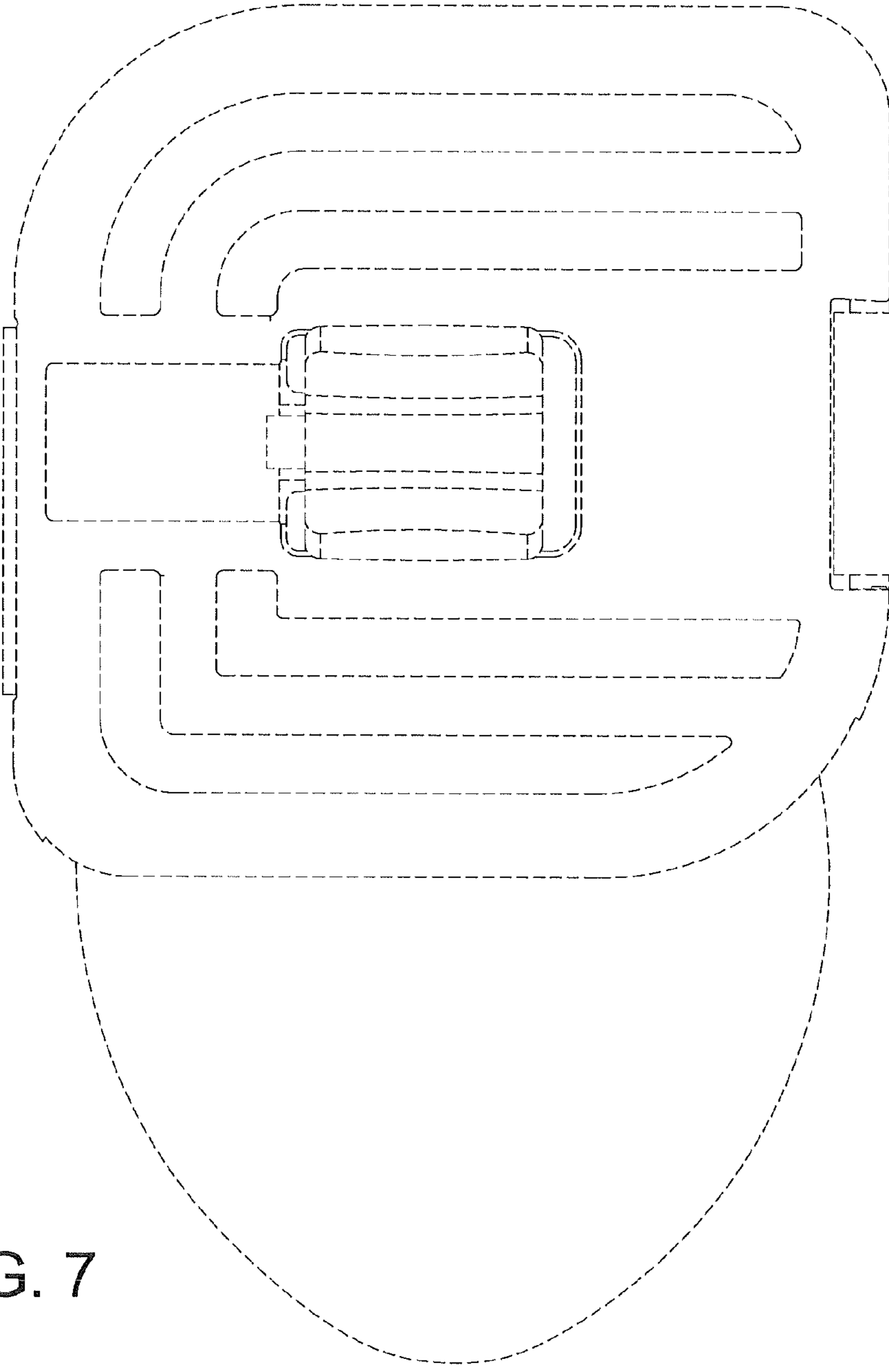


FIG. 7